



US00D989487S

(12) **United States Design Patent**
Huang

(10) **Patent No.:** **US D989,487 S**
(45) **Date of Patent:** **** Jun. 20, 2023**

(54) **STORAGE BOX**

- (71) Applicant: **Lingrong Huang**, Hainan (CN)
- (72) Inventor: **Lingrong Huang**, Hainan (CN)
- (**) Term: **15 Years**
- (21) Appl. No.: **29/783,229**
- (22) Filed: **May 12, 2021**
- (51) **LOC (14) Cl.** **09-04**
- (52) **U.S. Cl.**
USPC **D3/313**
- (58) **Field of Classification Search**
USPC D3/200–202, 273, 274, 276, 303, 304,
D3/305, 308–315, 318, 319, 321, 328;
D6/512; D7/701–708, 600.1–600.4
CPC A47G 19/30; A47G 23/02; A47G 19/06;
A47G 19/08; A47G 19/065; A47G 19/00;
A47G 19/02; A47G 23/06; A47G
23/0025; B65D 1/36; B65D 25/06; B65D
25/08; A47J 47/14
See application file for complete search history.

(56) **References Cited**

U.S. PATENT DOCUMENTS

3,240,610	A *	3/1966	Cease	B65D 11/00 206/508
D347,942	S *	6/1994	Gilbert	D3/315
5,419,451	A *	5/1995	Bitel, Jr.	B65D 43/0212 206/508
D423,780	S *	5/2000	Alonge	D3/315
6,360,885	B1 *	3/2002	Krueger	A47G 19/065 206/217
D459,078	S *	6/2002	Tondino	D3/313
D487,342	S *	3/2004	Yewdall	D3/203.2
D699,035	S *	2/2014	Hazen	D3/313
D728,978	S *	5/2015	Williams	D6/675
D970,988	S *	11/2022	Balaban	D7/701
2018/0251263	A1 *	9/2018	Shamp	B65D 21/0233

OTHER PUBLICATIONS

Couch console, posted at amazon.com, first available Nov. 10, 2021, retrieved on Feb. 15, 2023, online, <https://www.amazon.com/dp/B09LHW438T> (Year: 2021).*

Tconsole sofa tray, posted at amazon.com, first available Jun. 2, 2022, retrieved on Feb. 15, 2023, online, https://www.amazon.com/TConsole-Holder-Balancing-Organizer-Console/dp/B0B2ZDK8TL/ref=psdc_1063306_t1_B0BK8J7NXM (Year: 2022).*

Zigtiger couch tray, posted at amazon.com, first available Aug. 9, 2021, retrieved on Feb. 15, 2023, online, <https://www.amazon.com/Zigtiger-Wireless-Organizer-Balancing-Console/dp/B0BK8J7NXM> (Year: 2021).*

* cited by examiner

Primary Examiner — John R Yeh
Assistant Examiner — Dustin Andrew Griffith

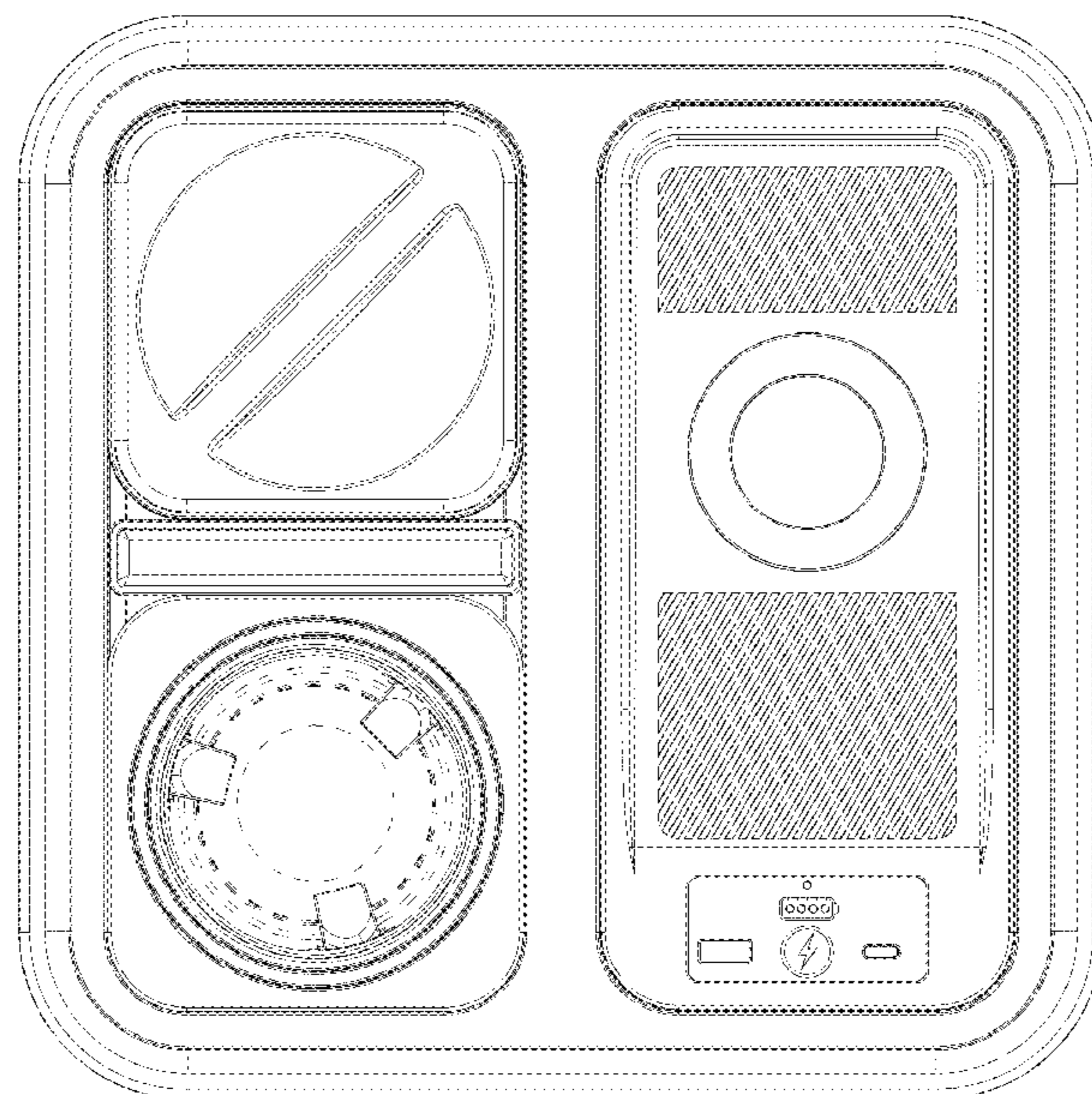
(57) **CLAIM**

The ornamental design for a storage box, as shown and described.

DESCRIPTION

FIG. 1 is a front elevational view of a storage box showing my new design;
FIG. 2 is a rear elevational view thereof;
FIG. 3 is a right side view thereof;
FIG. 4 is a left side view thereof;
FIG. 5 is a bottom plan view thereof;
FIG. 6 is a top plan view thereof;
FIG. 7 is a perspective view thereof;
FIG. 8 is a second perspective view thereof; and,
FIG. 9 is a third perspective view thereof.
The broken lines depict portions of the storage box that form no part of the claimed design.

1 Claim, 8 Drawing Sheets



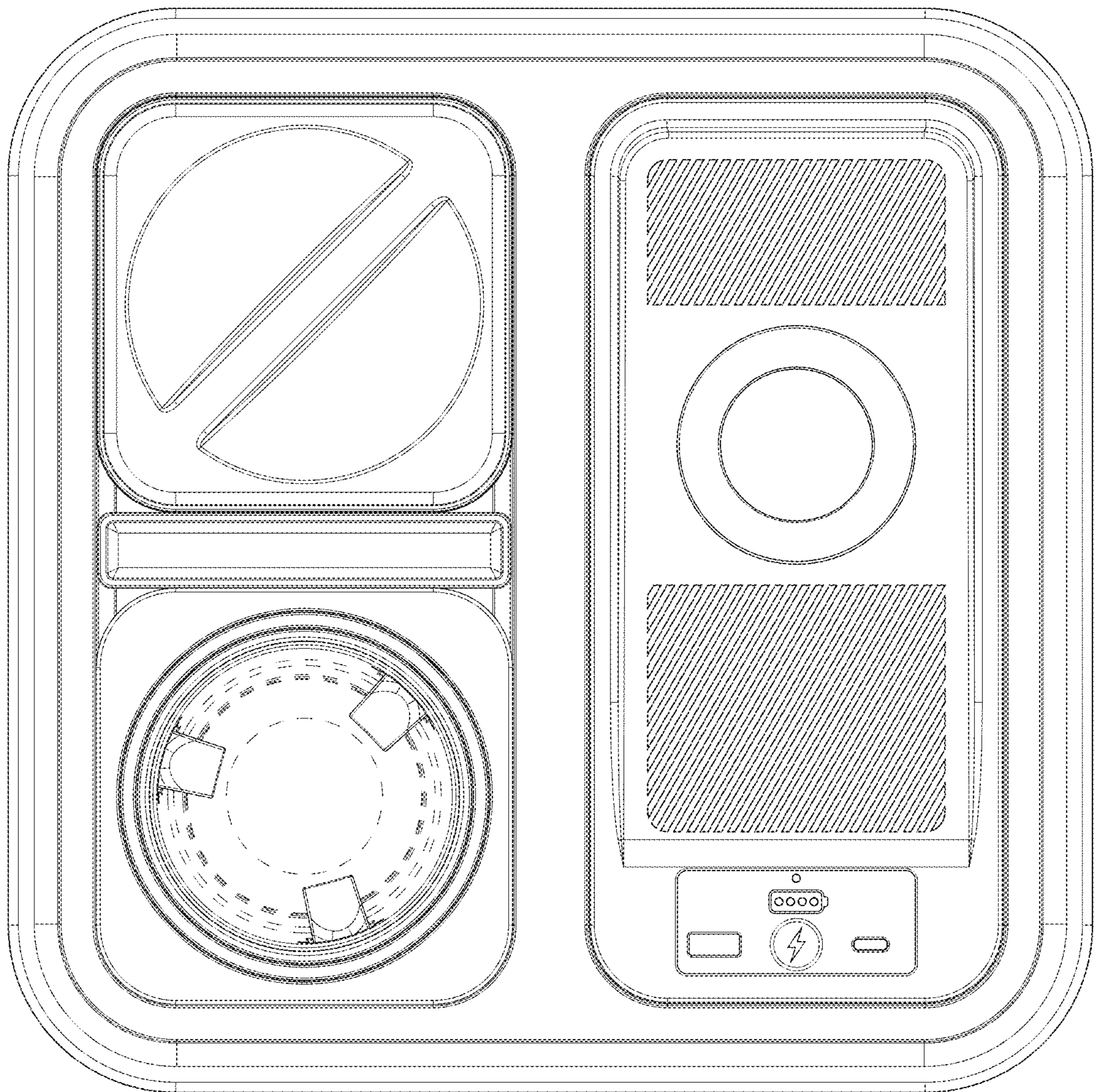


FIG. 1

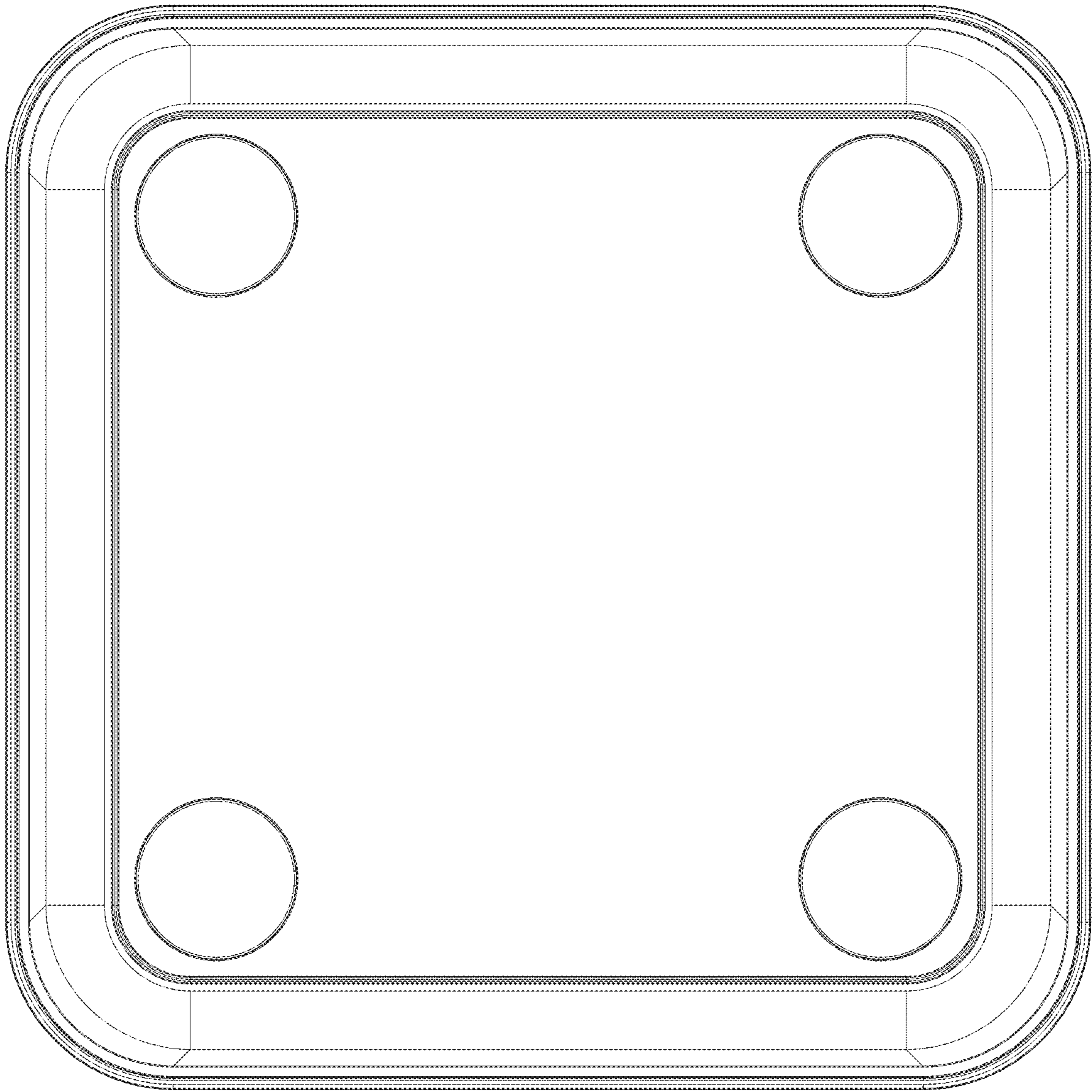


FIG. 2

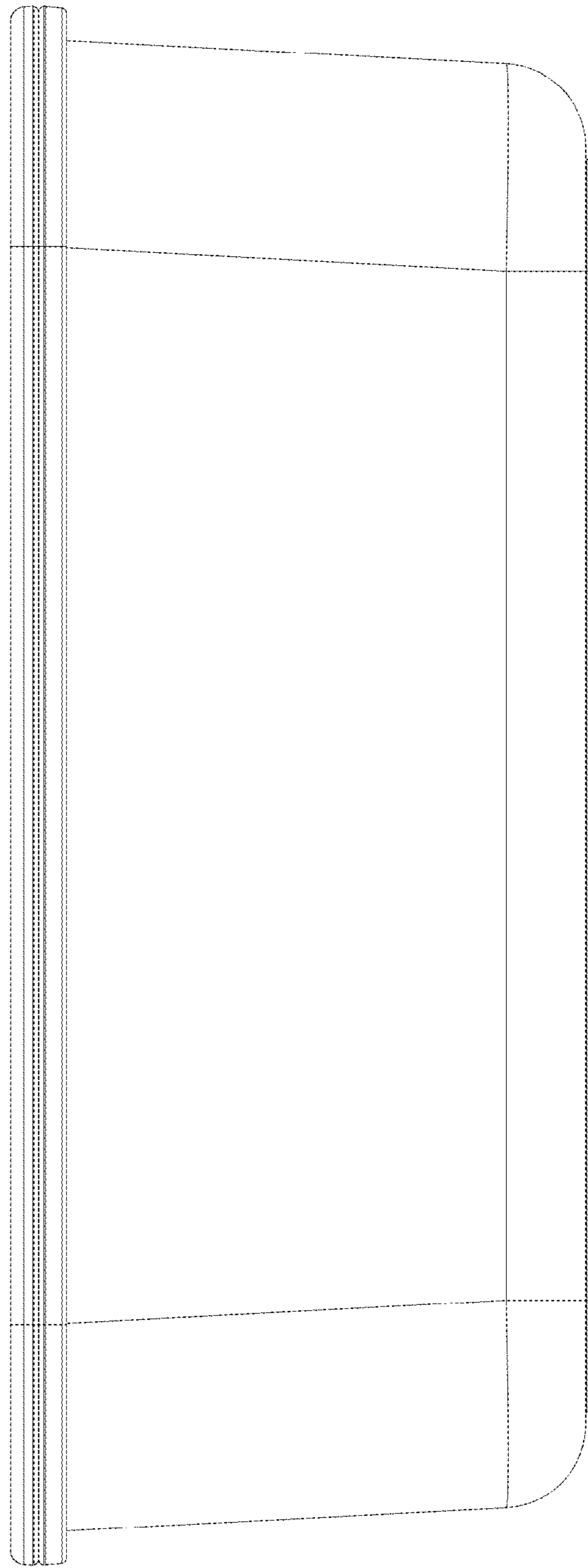


FIG. 3

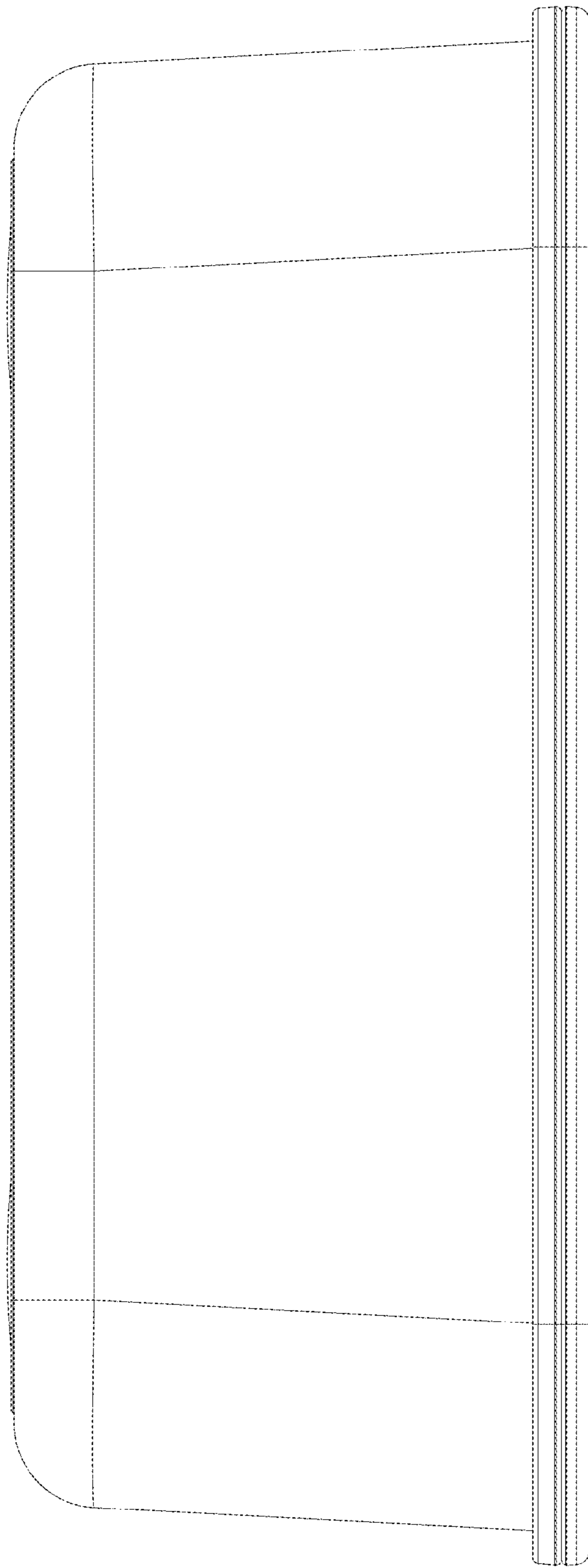


FIG. 4

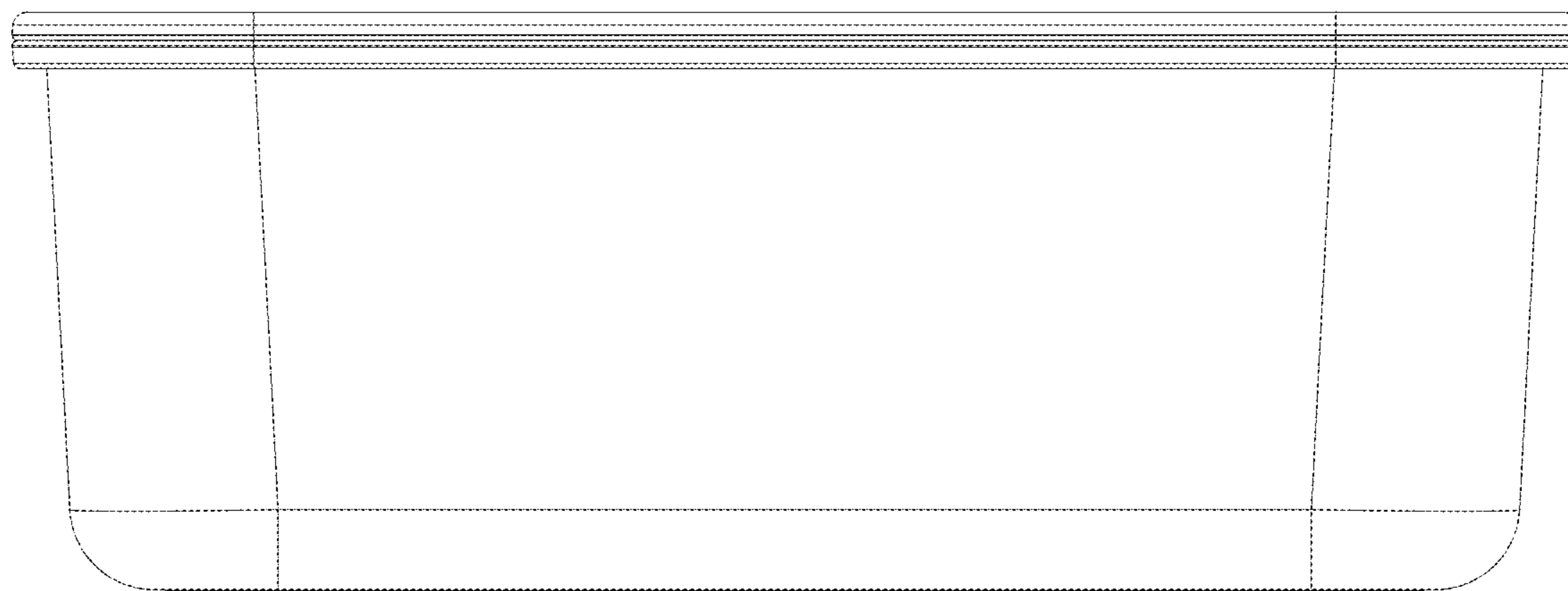


FIG. 5

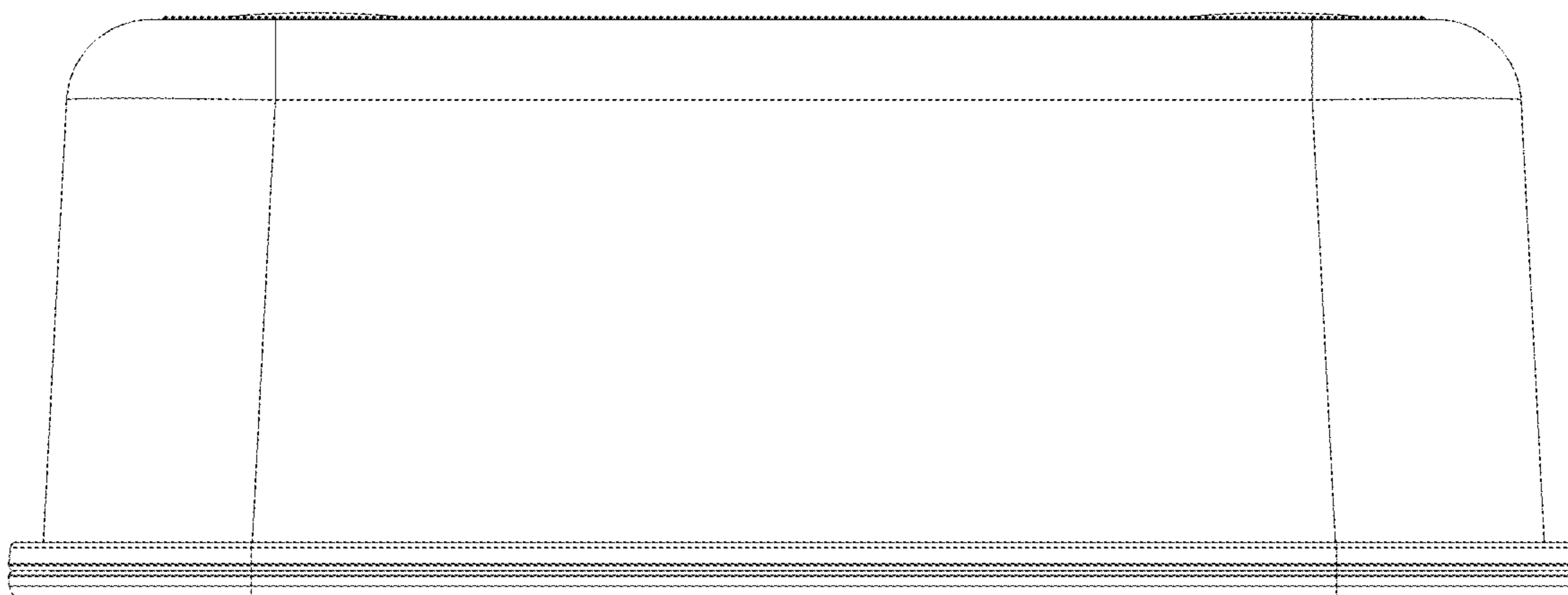


FIG. 6

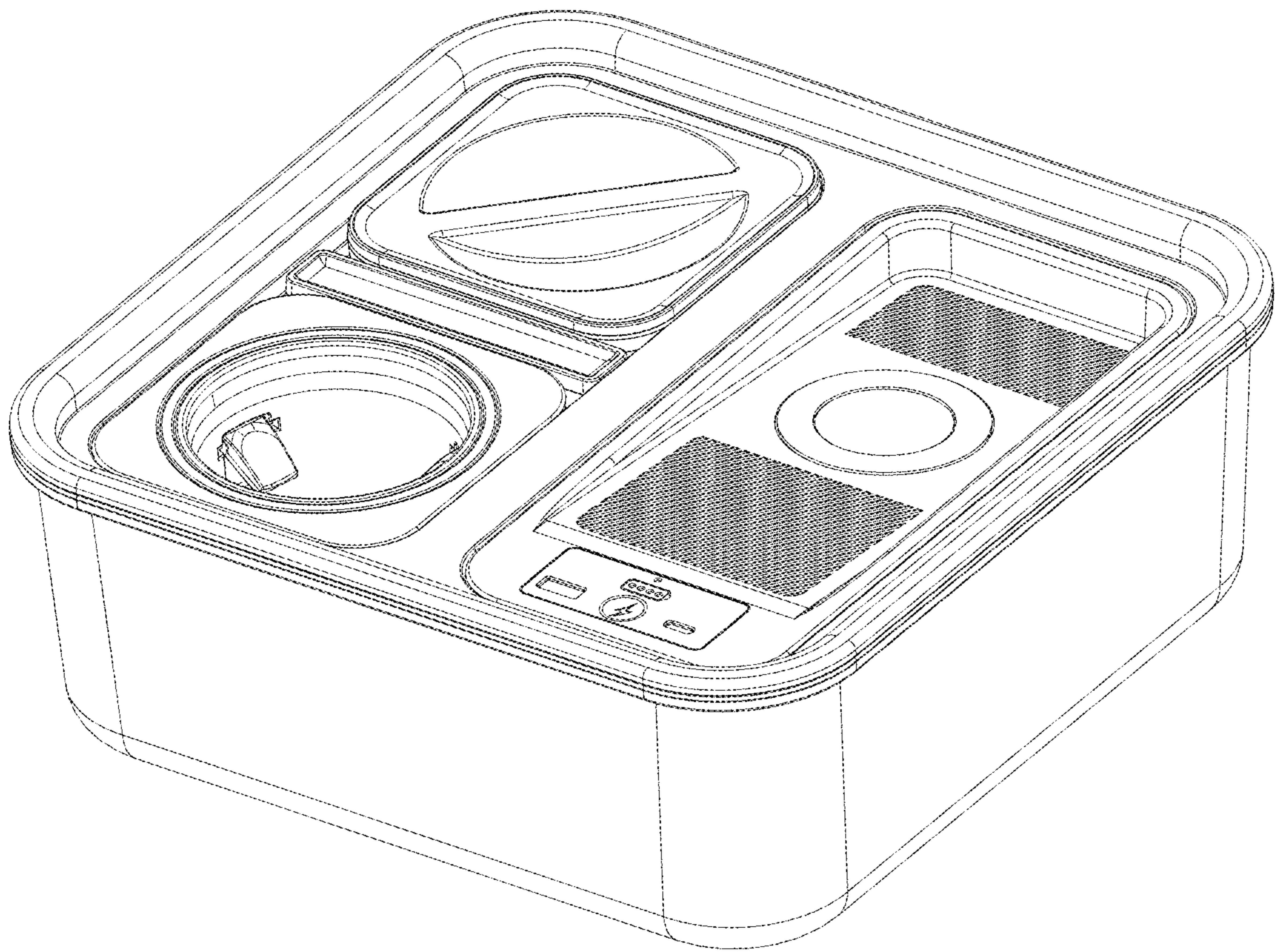


FIG. 7

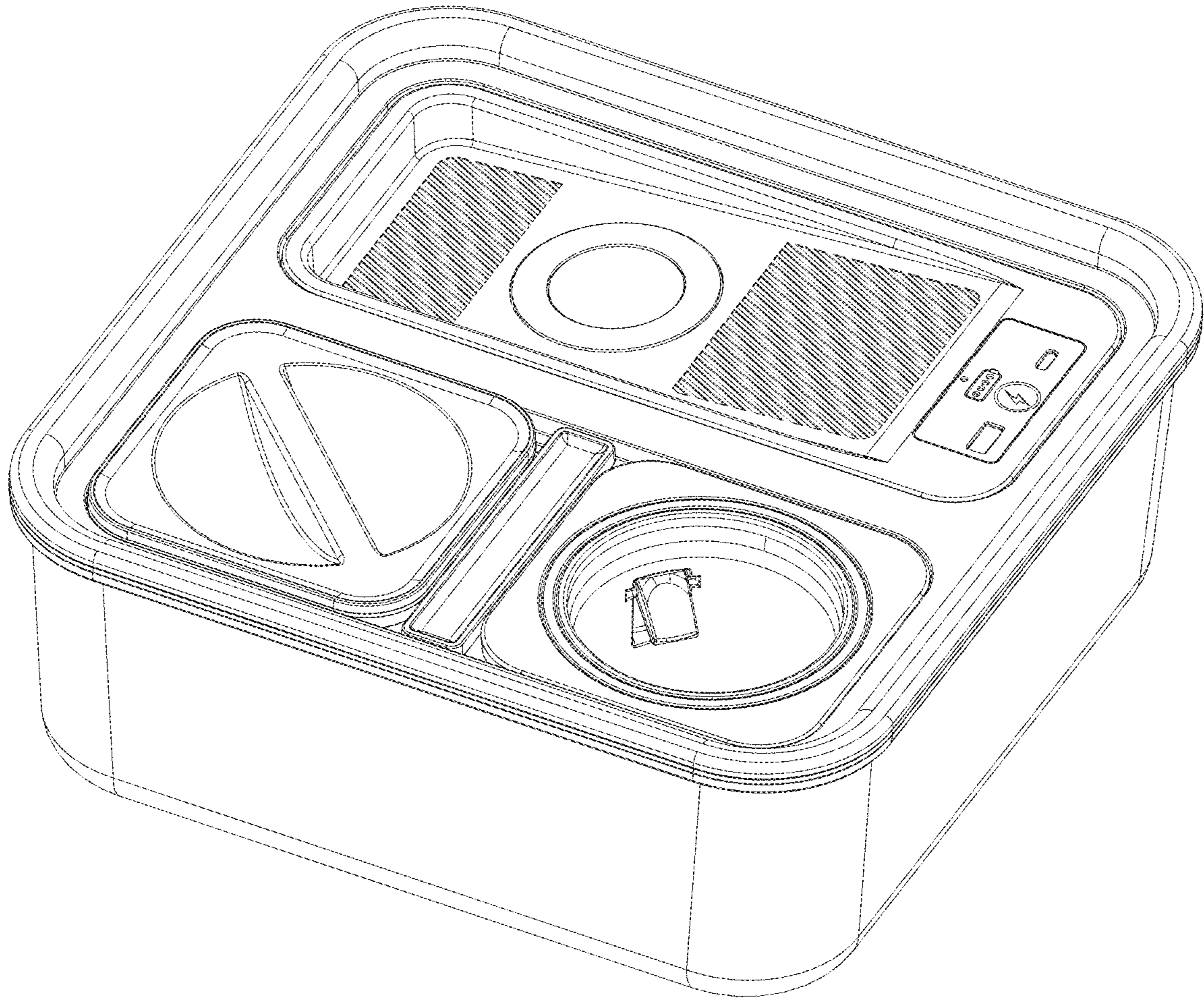


FIG. 8

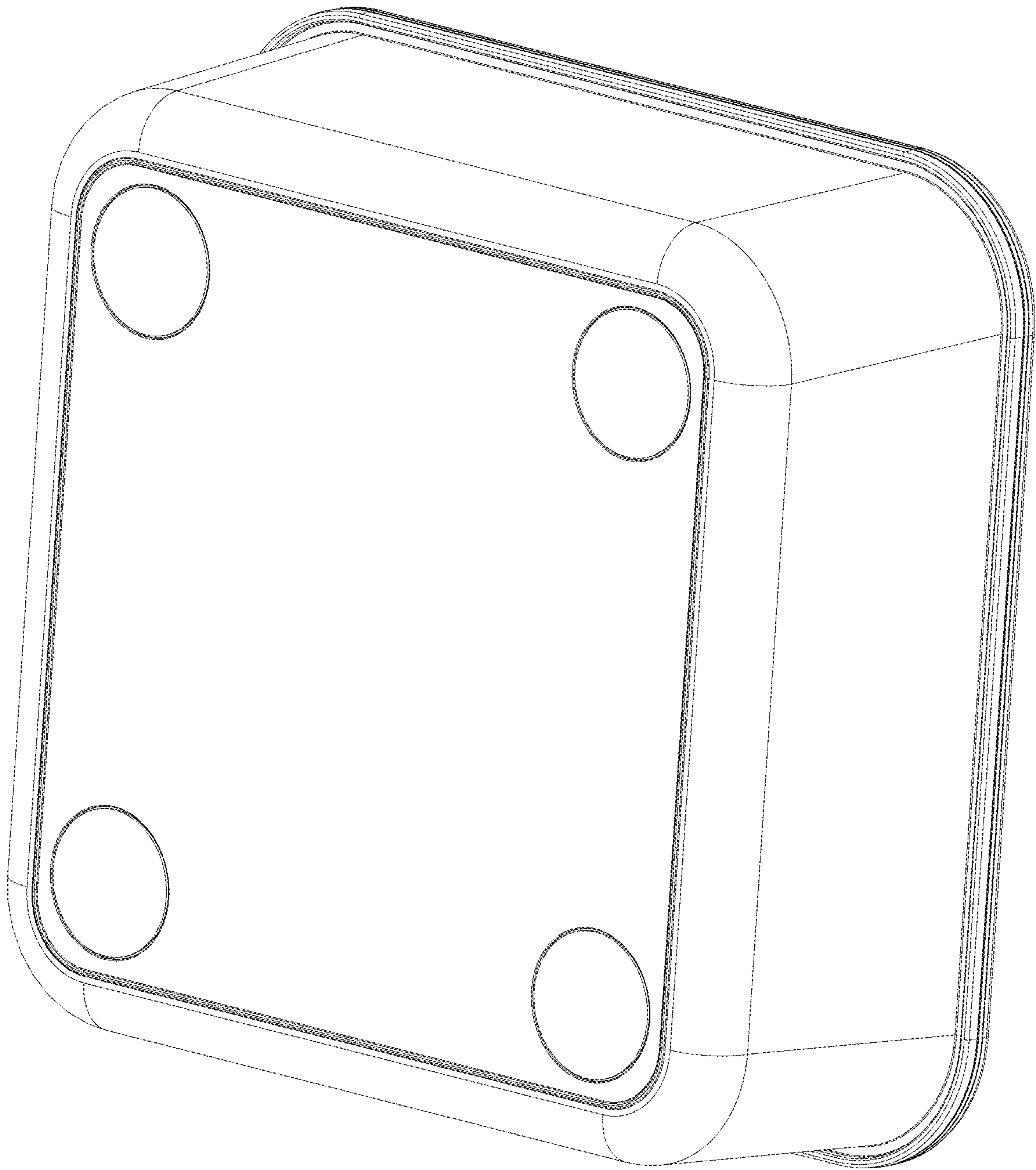


FIG. 9