



US00D989486S

(12) **United States Design Patent**  
**Kraemer**

(10) **Patent No.:** **US D989,486 S**

(45) **Date of Patent:** **\*\* \*Jun. 20, 2023**

(54) **BIN**

(71) Applicant: **InterDesign, Inc.**, Solon, OH (US)

(72) Inventor: **Kevin Francis Kraemer**, Cuyahoga Falls, OH (US)

(73) Assignee: **InterDesign, Inc.**, Solon, OH (US)

(\*) Notice: This patent is subject to a terminal disclaimer.

(\*\*) Term: **15 Years**

(21) Appl. No.: **29/829,618**

(22) Filed: **Mar. 7, 2022**

**Related U.S. Application Data**

(60) Continuation of application No. 29/756,953, filed on Nov. 2, 2020, now Pat. No. Des. 946,897, which is a continuation of application No. 29/733,311, filed on Apr. 30, 2020, now Pat. No. Des. 902,625, which is a division of application No. 29/712,033, filed on Nov. 5, 2019, now Pat. No. Des. 893,874, which is a continuation of application No. 29/656,713, filed on Jul. 16, 2018, now Pat. No. Des. 878,050, which is a continuation of application No. 29/614,789, filed on Aug. 23, 2017, now Pat. No. Des. 826,061, which is a continuation of application No. 29/551,071, filed on Jan. 11, 2016, now Pat. No. Des. 799,219, which is a continuation of application No. 29/503,223, filed on Sep. 24, 2014, now Pat. No. Des. 750,443, which is a continuation of application No. 29/480,138, filed on

(Continued)

(51) **LOC (14) Cl.** ..... **09-04**

(52) **U.S. Cl.**  
USPC ..... **D3/307**; D3/304; D6/683

(58) **Field of Classification Search**  
USPC .... D3/304, 307-309, 201; D19/86, 92, 100;  
D6/683, 683.1, 705, 573, 574

CPC .... B65D 1/22; B65D 1/34; B65D 1/38; A47B 88/906; A47B 88/994; A47J 47/00; A47J 47/16

See application file for complete search history.

(56) **References Cited**

U.S. PATENT DOCUMENTS

2,990,995 A \* 7/1961 Wessel ..... B65D 5/004  
229/117.17  
3,014,635 A \* 12/1961 Mairs ..... B65D 5/4608  
229/117.17

(Continued)

OTHER PUBLICATIONS

Amazon.com, mDesign Small Plastic Kitchen Storage Container Bins with Handles, Nov. 19, 2018, <https://www.amazon.com/mDesign-Plastic-Kitchen-Cabinet-Refrigerator/dp/B07KJ9VF2H/> (Year: 2018).\*

*Primary Examiner* — Nathan M Johnston

(74) *Attorney, Agent, or Firm* — Calfee, Halter & Griswold LLP

(57) **CLAIM**

I claim the ornamental design for a bin, as shown and described.

**DESCRIPTION**

FIG. 1 is a front/right/top perspective view of a bin (a front/left/top perspective view would be a mirror image thereof),

FIG. 2 is a rear/right/bottom perspective view thereof (a rear/left/bottom perspective view would be a mirror image thereof),

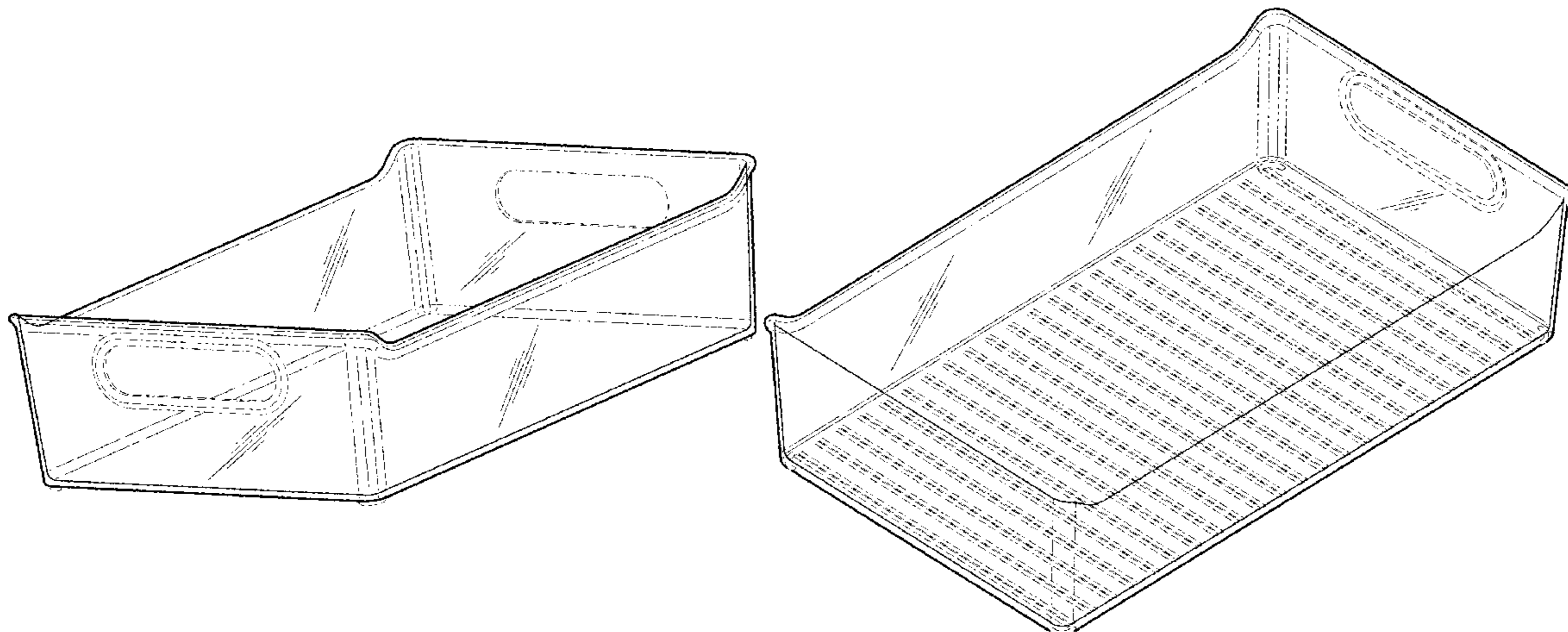
FIG. 3 is a front elevational view thereof (a rear elevational view would be a mirror image thereof);

FIG. 4 is a left side elevational view thereof (a right side elevational view would be a mirror image thereof);

FIG. 5 is a top plan view thereof; and,

FIG. 6 is a bottom plan view thereof.

(Continued)



The broken lines show portions of the bin that form no part of the claimed design.

**1 Claim, 5 Drawing Sheets**

**Related U.S. Application Data**

Jan. 23, 2014, now abandoned, which is a continuation of application No. 29/444,254, filed on Jan. 29, 2013, now Pat. No. Des. 698,612.

(56)

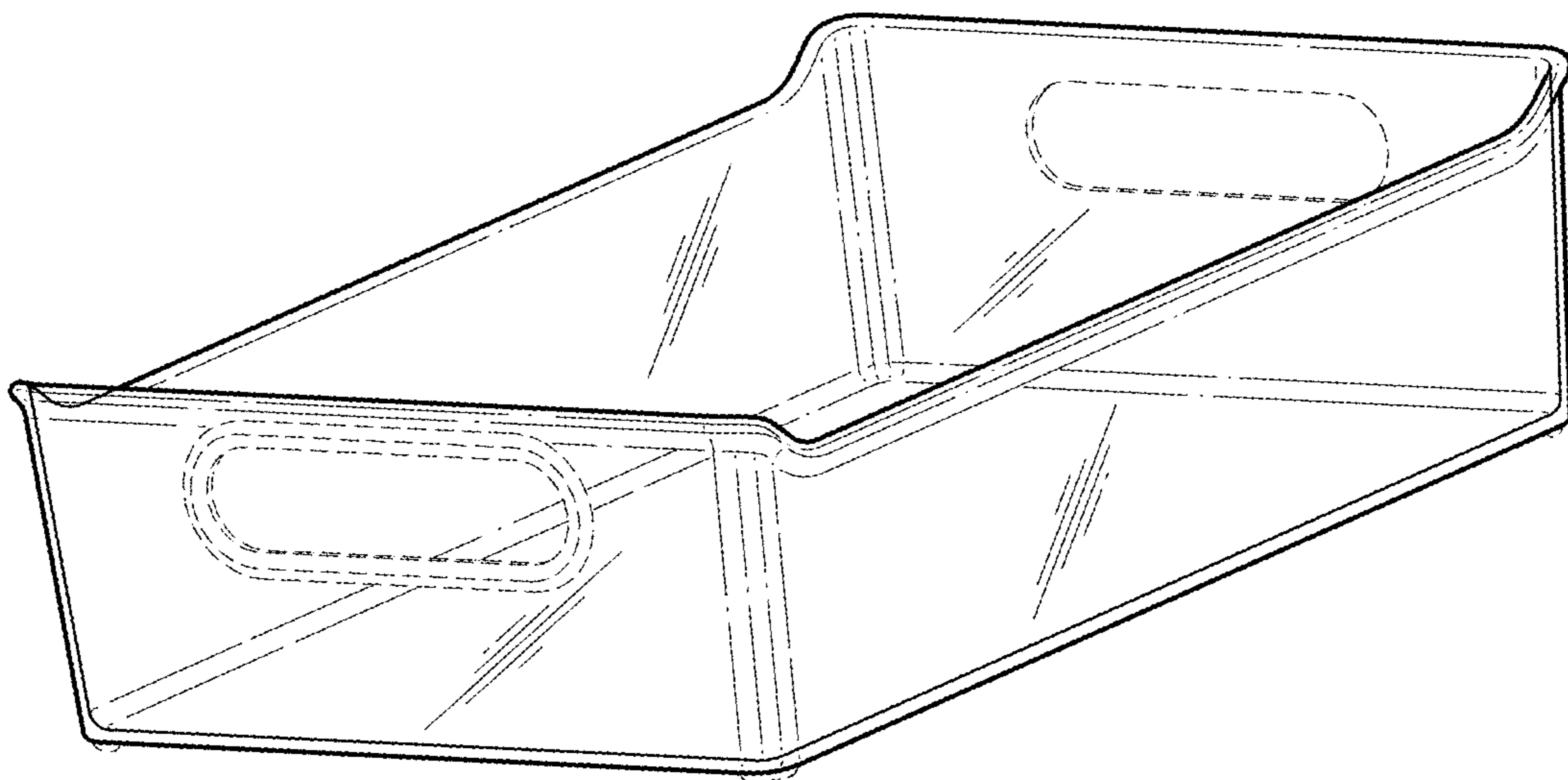
**References Cited**

U.S. PATENT DOCUMENTS

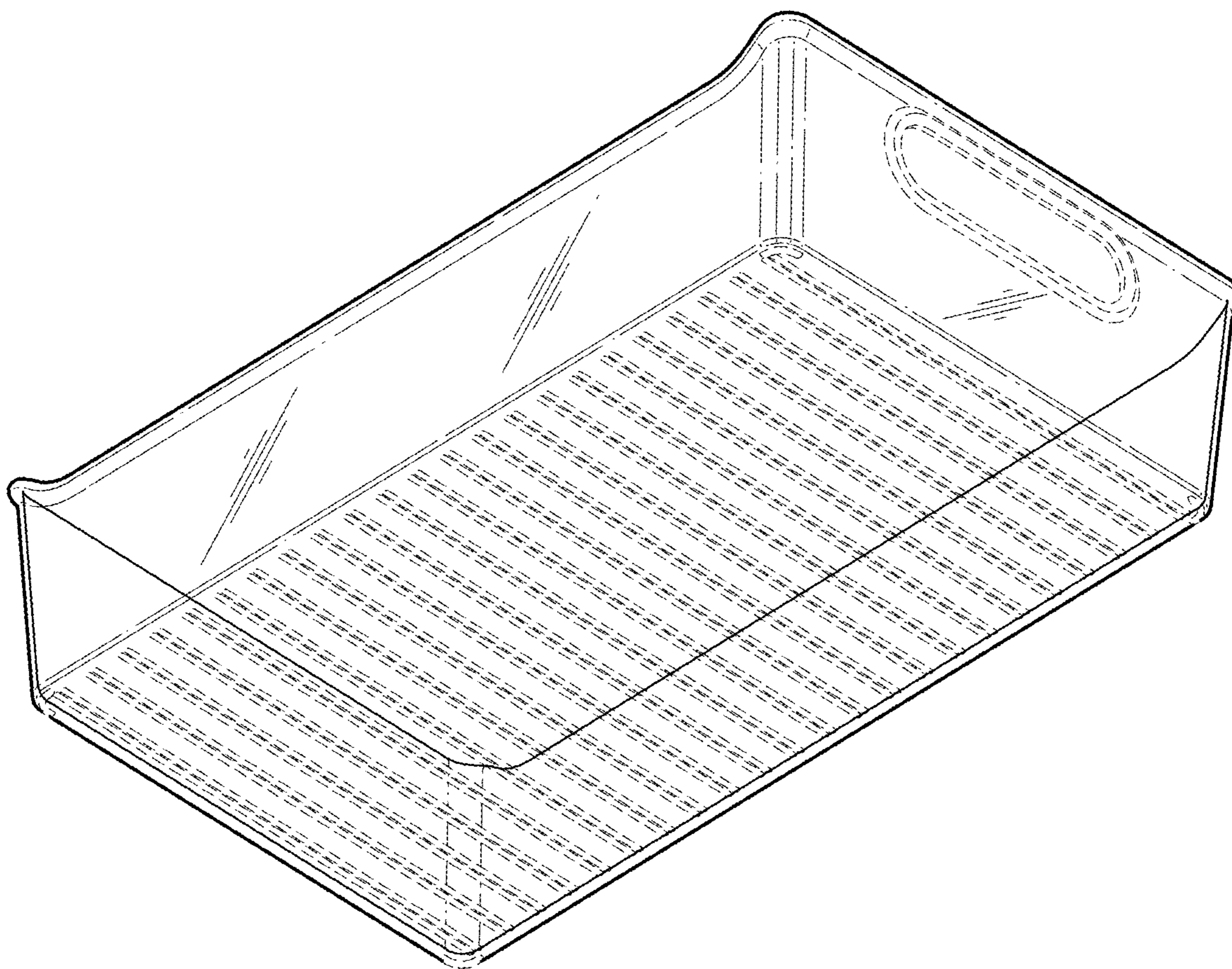
3,375,953	A	4/1968	Miller	
D227,191	S	* 6/1973	Cape .....	D3/312
3,813,256	A	5/1974	Feinberg	
D254,526	S	* 3/1980	Dolphin, Sr. ....	D19/75
D265,768	S	* 8/1982	Howley .....	D6/705
D292,634	S	11/1987	Chabot	
D333,581	S	3/1993	Macsenti	
D356,461	S	3/1995	May	
D425,128	S	* 5/2000	Conley .....	D19/86
D494,759	S	* 8/2004	Louie .....	D3/304
D495,490	S	9/2004	Garrett	
D495,532	S	9/2004	Meissen	
D496,162	S	9/2004	Garrett	
D506,312	S	6/2005	Moon	
D507,404	S	7/2005	Moon	
D518,526	S	* 4/2006	Benn .....	D19/90
D526,851	S	* 8/2006	Groff .....	D7/552.1
D530,918	S	10/2006	Snell	
D542,033	S	* 5/2007	Kopenhaver .....	D3/305
D585,195	S	1/2009	Dominique	
D591,315	S	4/2009	Baacke	
D596,311	S	7/2009	Antons	
D596,857	S	7/2009	Ahlgrim	

D649,985	S	12/2011	Jeon	
D657,562	S	4/2012	McNamara	
D669,506	S	10/2012	Czach	
D689,551	S	9/2013	Shafer	
D692,668	S	11/2013	Hu	
D694,289	S	11/2013	Hottmann	
D707,267	S	6/2014	Choi	
D708,852	S	7/2014	Ghiorghie	
D710,612	S	8/2014	Kolano	
D711,943	S	8/2014	Park	
D712,477	S	9/2014	Stravitz	
D732,827	S	6/2015	Suomela	
D734,784	S	7/2015	Kim	
D746,593	S	1/2016	Kroll	
D747,102	S	1/2016	Kraemer	
D751,318	S	3/2016	Kraemer	
9,386,865	B2	7/2016	Bally	
D770,771	S	* 11/2016	Lisso .....	D3/304
D772,575	S	11/2016	Stelmarski	
D806,391	S	1/2018	Ghiorghie	
D809,797	S	2/2018	Kraemer	
D825,923	S	8/2018	Suomela	
D832,115	S	10/2018	Fitchett	
D842,606	S	3/2019	Kraemer	
D842,607	S	3/2019	Kraemer	
D866,973	S	11/2019	Snell	
D872,482	S	1/2020	Harvey	
D878,051	S	3/2020	Kraemer	
D887,141	S	6/2020	Mazor	
D893,874	S	8/2020	Kraemer	
D895,289	S	9/2020	Greenwood	
D895,970	S	9/2020	Kraemer	
D902,594	S	11/2020	Kraemer	
D907,365	S	1/2021	Roe	
D912,985	S	3/2021	Kraemer	
D915,073	S	4/2021	Kraemer	
D919,974	S	* 5/2021	Kraemer .....	D6/683
D925,229	S	7/2021	Kraemer	
D946,897	S	3/2022	Kraemer	

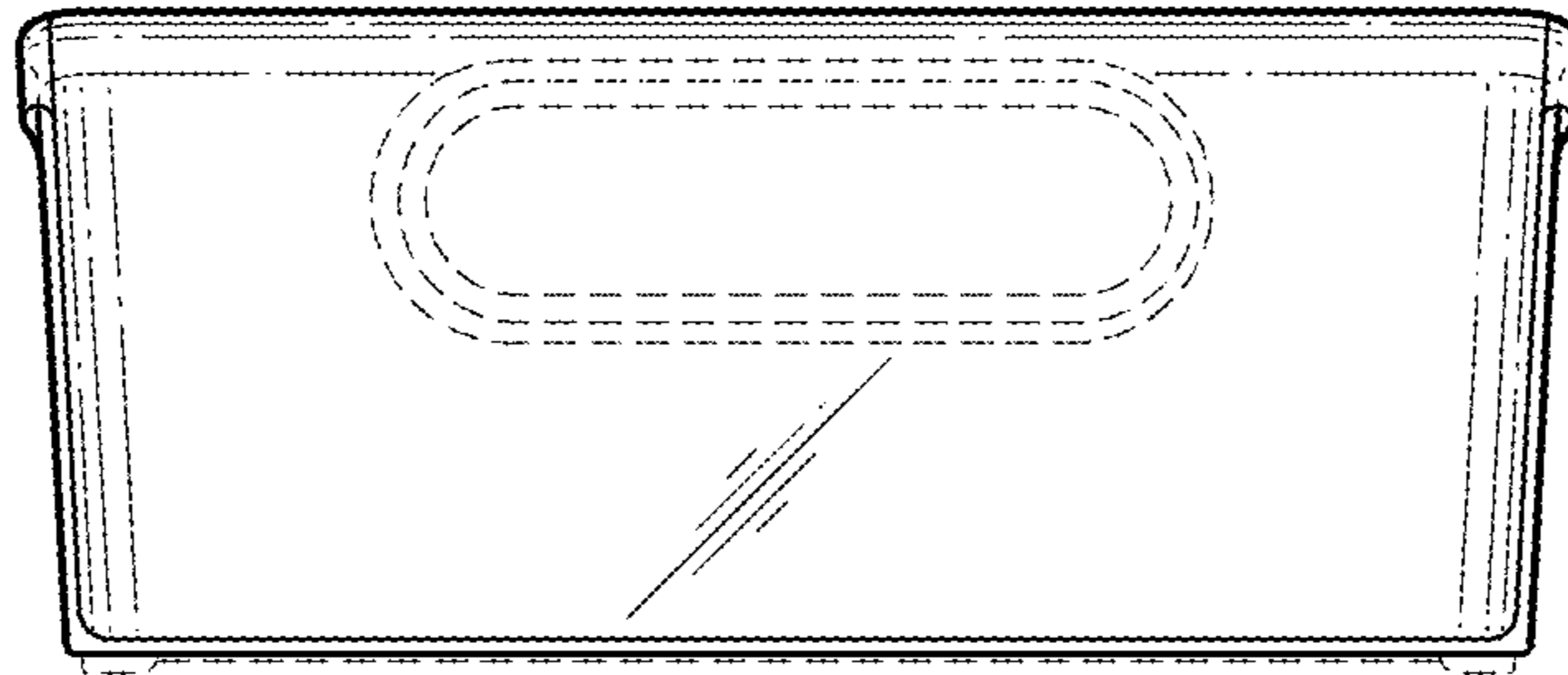
\* cited by examiner



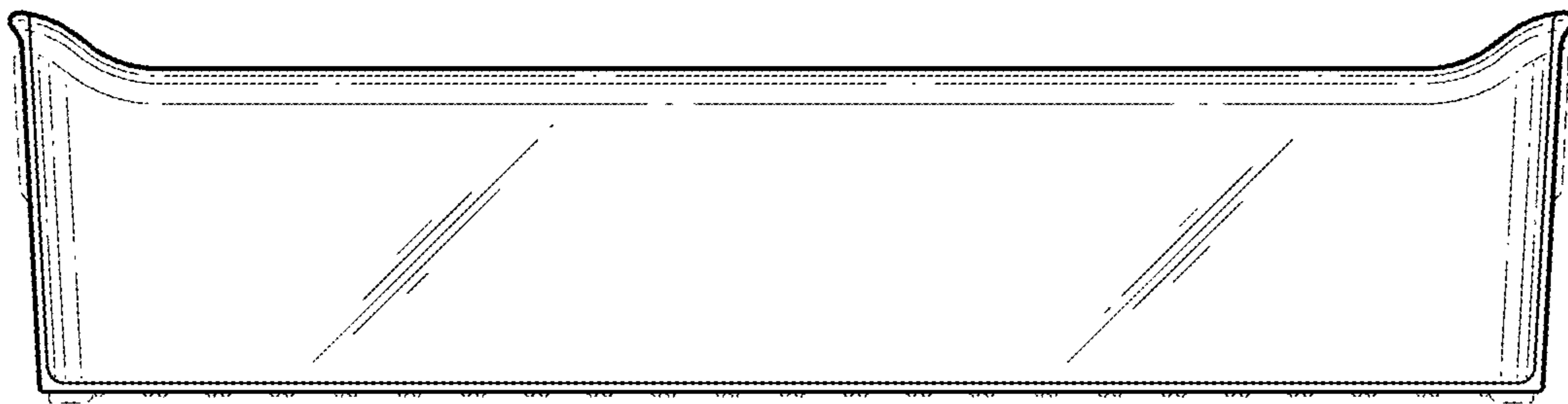
**FIG. 1**



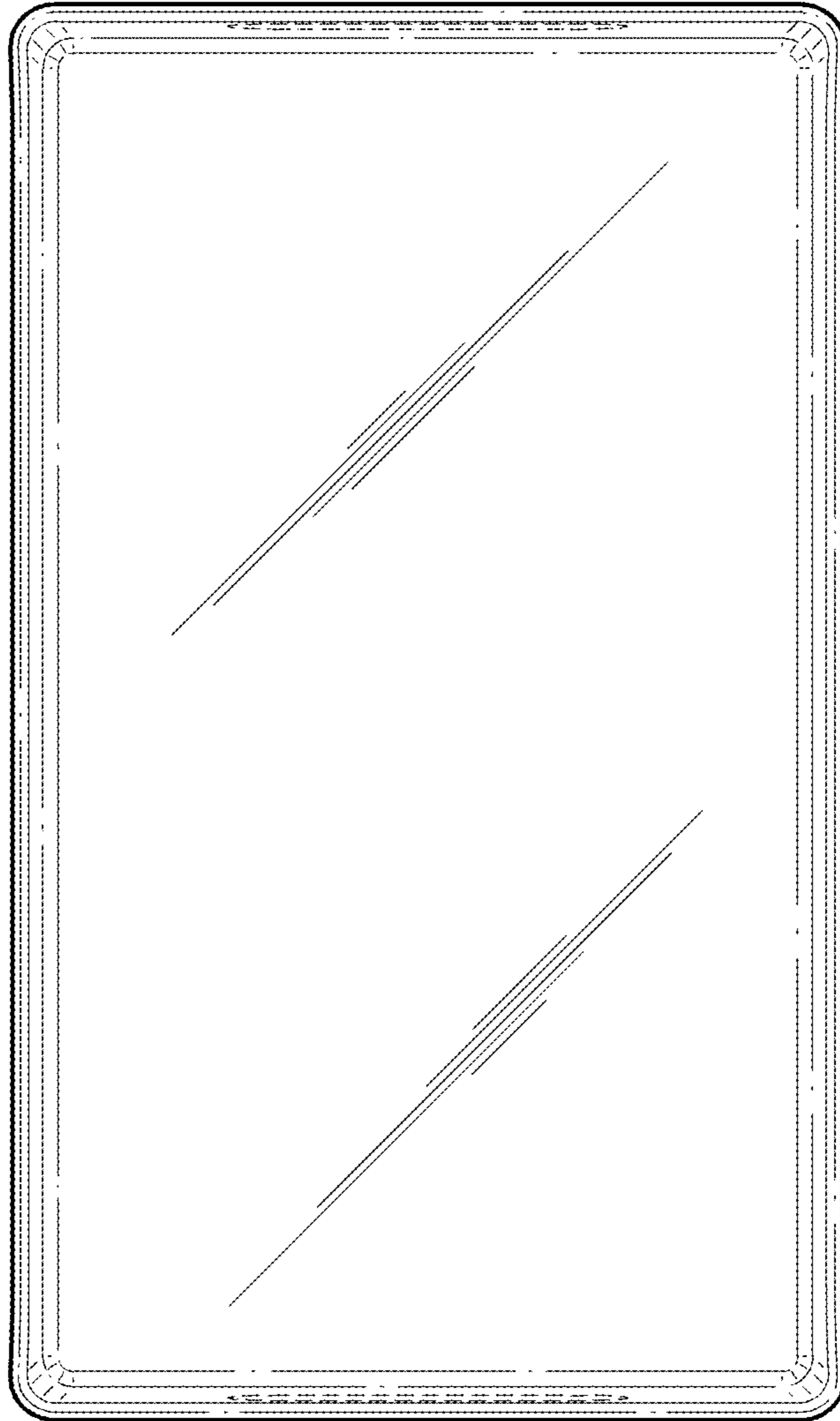
**FIG. 2**



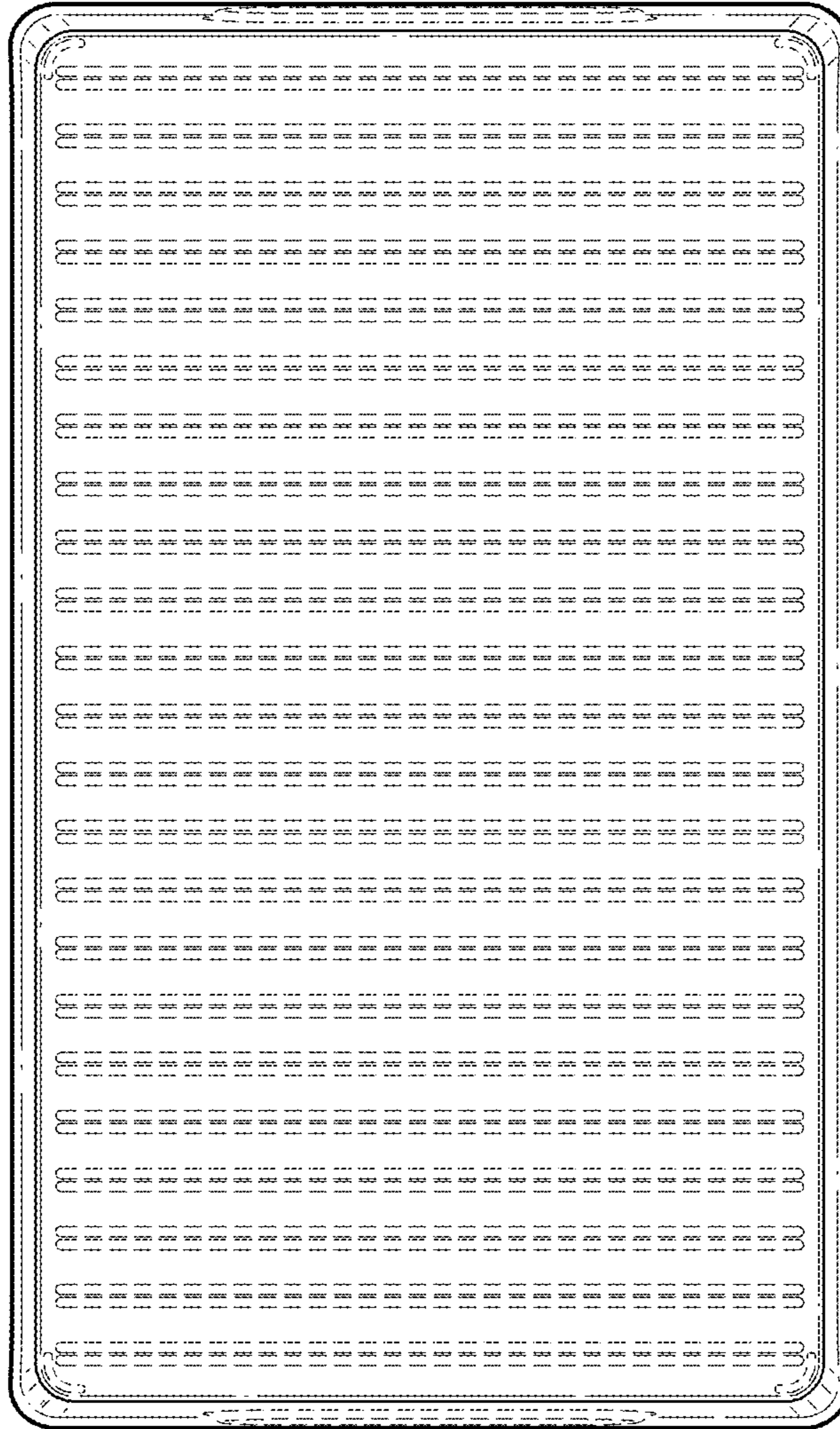
**FIG. 3**



**FIG. 4**



**FIG. 5**



**FIG. 6**