



US00D989482S

(12) **United States Design Patent**
Wang

(10) **Patent No.:** **US D989,482 S**
(45) **Date of Patent:** **** Jun. 20, 2023**

(54) **GARDEN TOOL STORAGE BOX**
(71) Applicant: **Wei-Cheng Wang**, Taipei (TW)
(72) Inventor: **Wei-Cheng Wang**, Taipei (TW)

D764,791 S * 8/2016 Patel D3/232
D827,299 S * 9/2018 Vickery D3/246
D942,366 S * 2/2022 Liang D12/425
D956,419 S * 7/2022 Barlier D3/283
D970,890 S * 11/2022 Liu D3/283

(**) Term: **15 Years**

OTHER PUBLICATIONS

(21) Appl. No.: **29/780,777**

Amazon, "Garden Tool Bag , Colaz", First on sale Jun. 1, 2022.
(<https://www.amazon.com/dp/B0B2WLRZFN>) (Year: 2022).*

(22) Filed: **Apr. 27, 2021**

* cited by examiner

(51) **LOC (14) Cl.** **03-01**

Primary Examiner — April Rivas

(52) **U.S. Cl.**
USPC **D3/273; D3/905**

(74) *Attorney, Agent, or Firm* — Leong C. Lei

(58) **Field of Classification Search**
USPC D3/273, 276, 278, 281, 283, 289, 293,
D3/294, 303, 321, 323, 905, 271.4, 271.3
CPC B25H 3/02; A45C 3/004; A45C 13/002
See application file for complete search history.

(57) **CLAIM**

The ornamental design for a garden tool storage box, as shown and described.

(56) **References Cited**

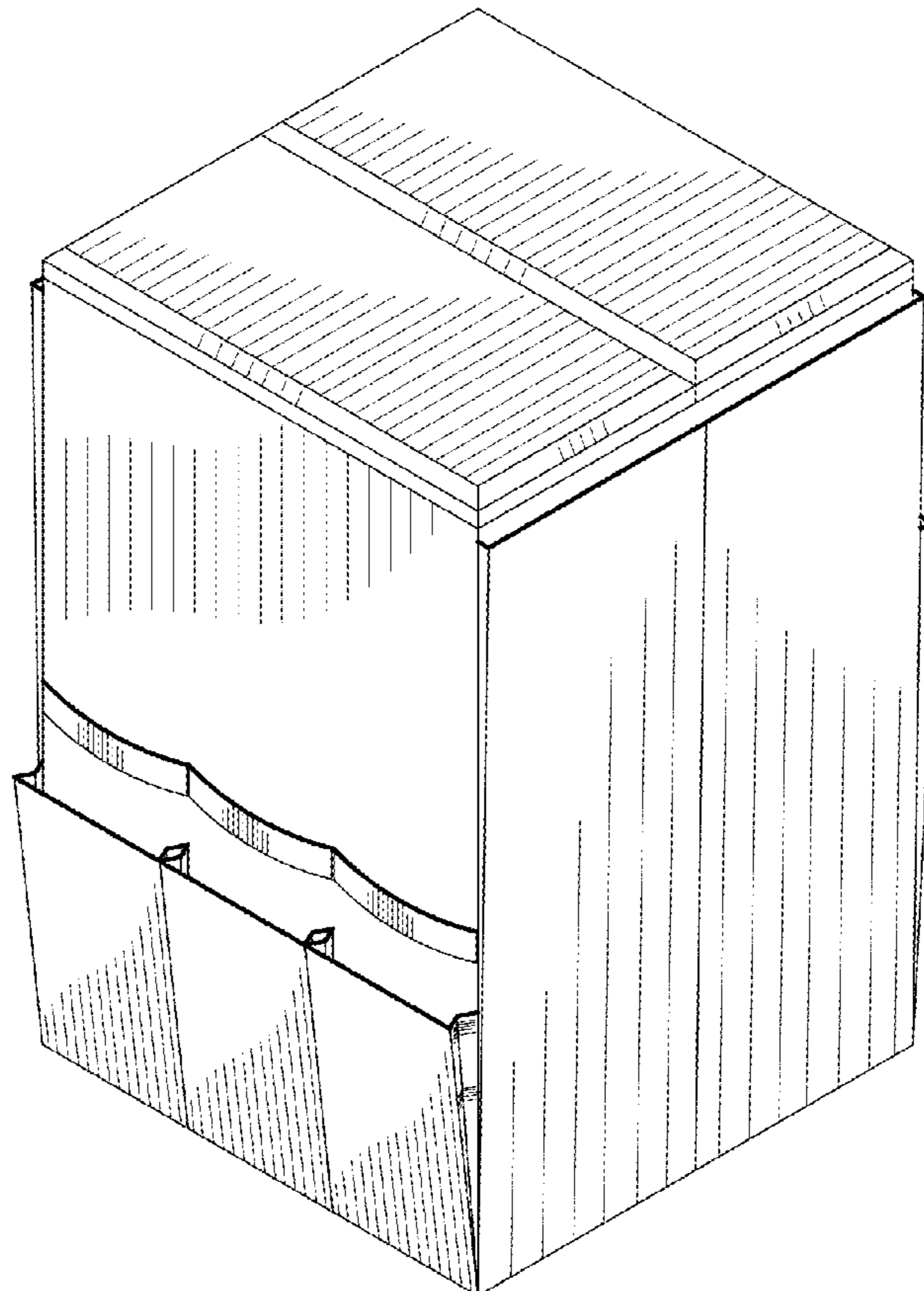
DESCRIPTION

U.S. PATENT DOCUMENTS

D334,839 S * 4/1993 Dancyger D3/246
D447,340 S * 9/2001 Snider D3/276
D459,877 S * 7/2002 Laprise D3/254
D502,599 S * 3/2005 Cabana D3/289
D550,459 S * 9/2007 Eskandry D3/305
D641,162 S * 7/2011 Houston D3/290
D647,301 S * 10/2011 Sosnovsky D3/289
D701,045 S * 3/2014 Menirom D3/905

FIG. 1 is a perspective view of a garden tool storage box showing my new design;
FIG. 2 is a front elevational view thereof;
FIG. 3 is a rear elevational view thereof;
FIG. 4 is a left side elevational view thereof;
FIG. 5 is a right side elevational view thereof;
FIG. 6 is a top plan view thereof; and,
FIG. 7 is a bottom plan view thereof.

1 Claim, 7 Drawing Sheets



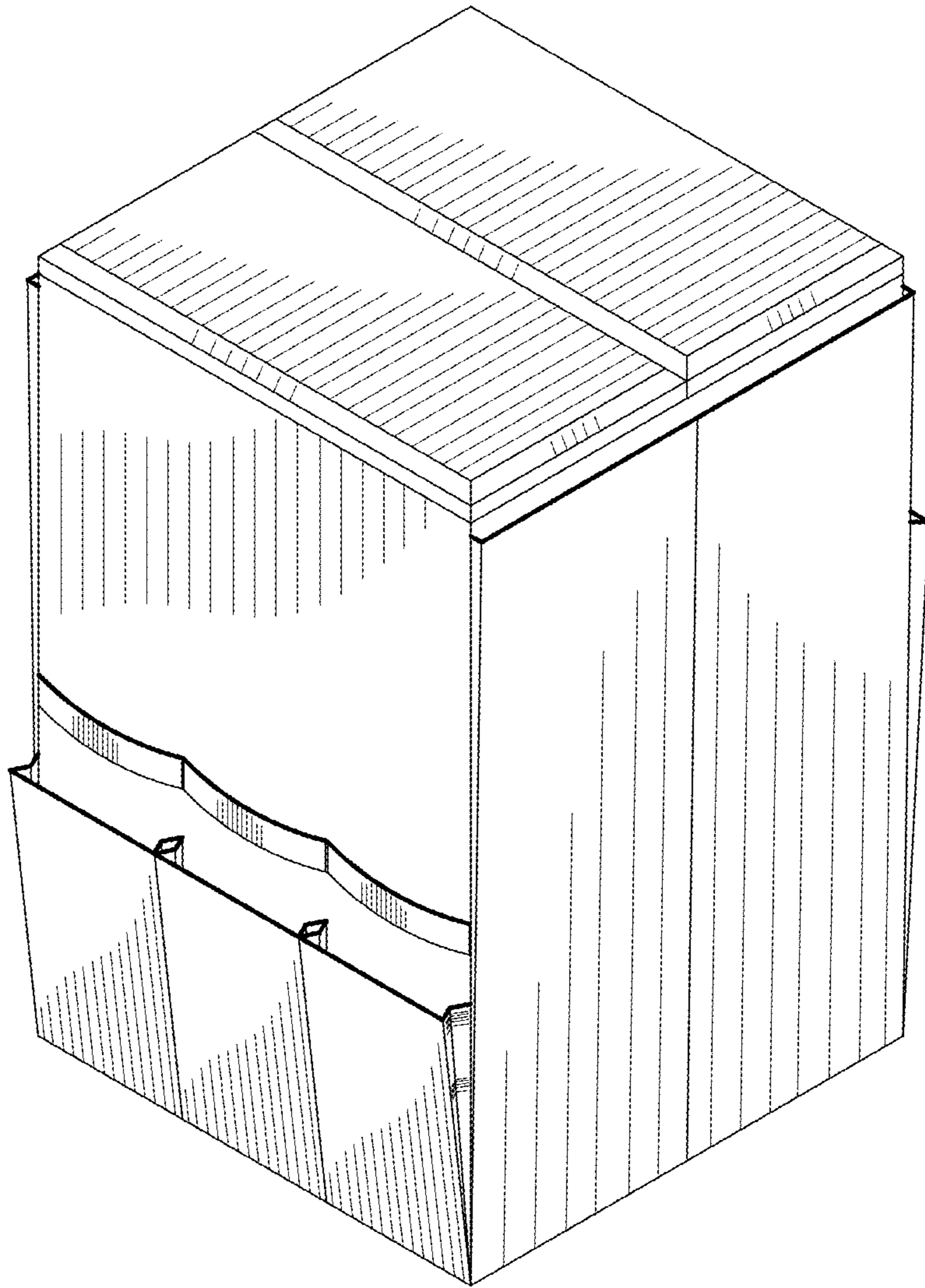


FIG. 1

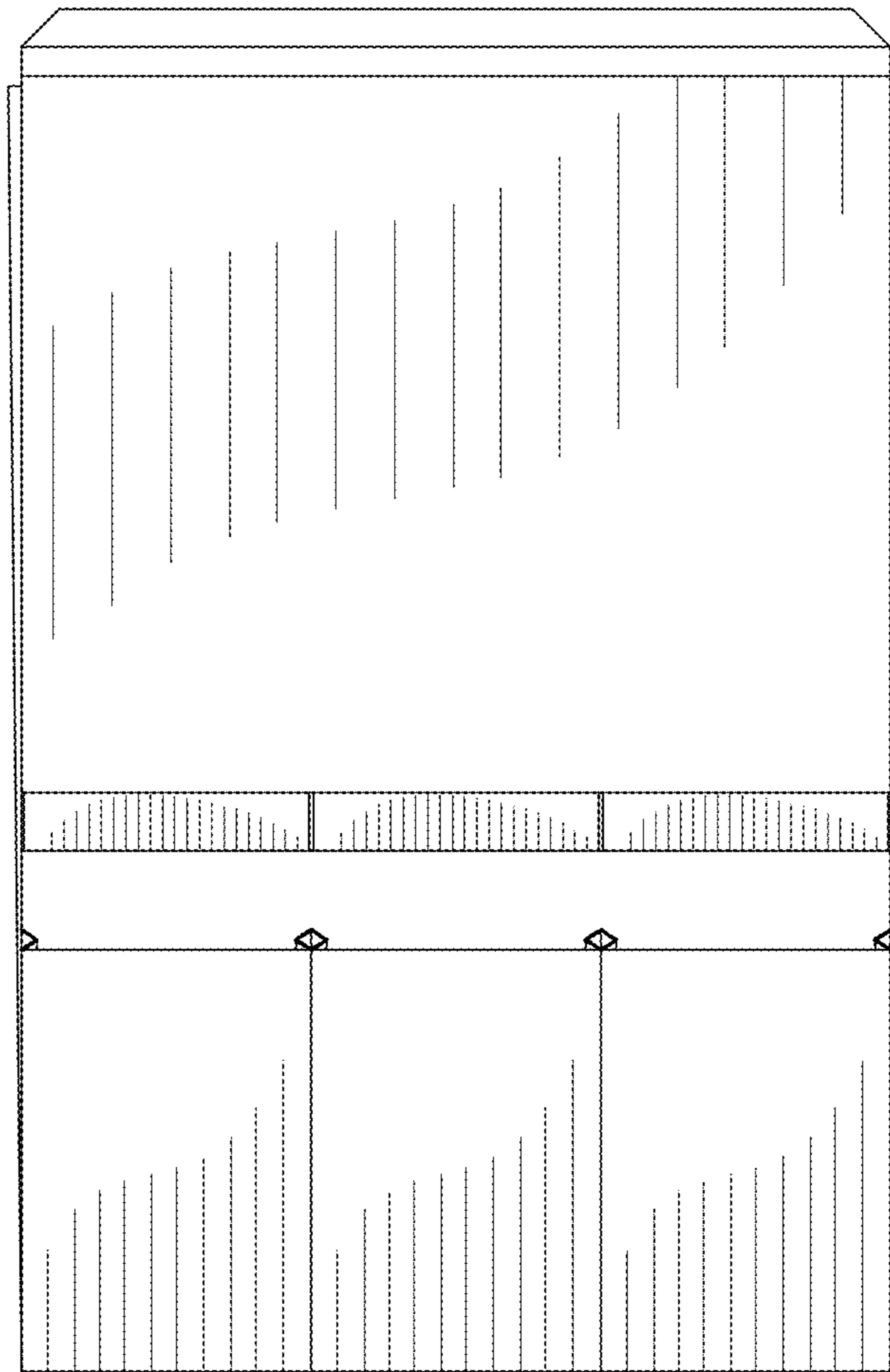


FIG. 2

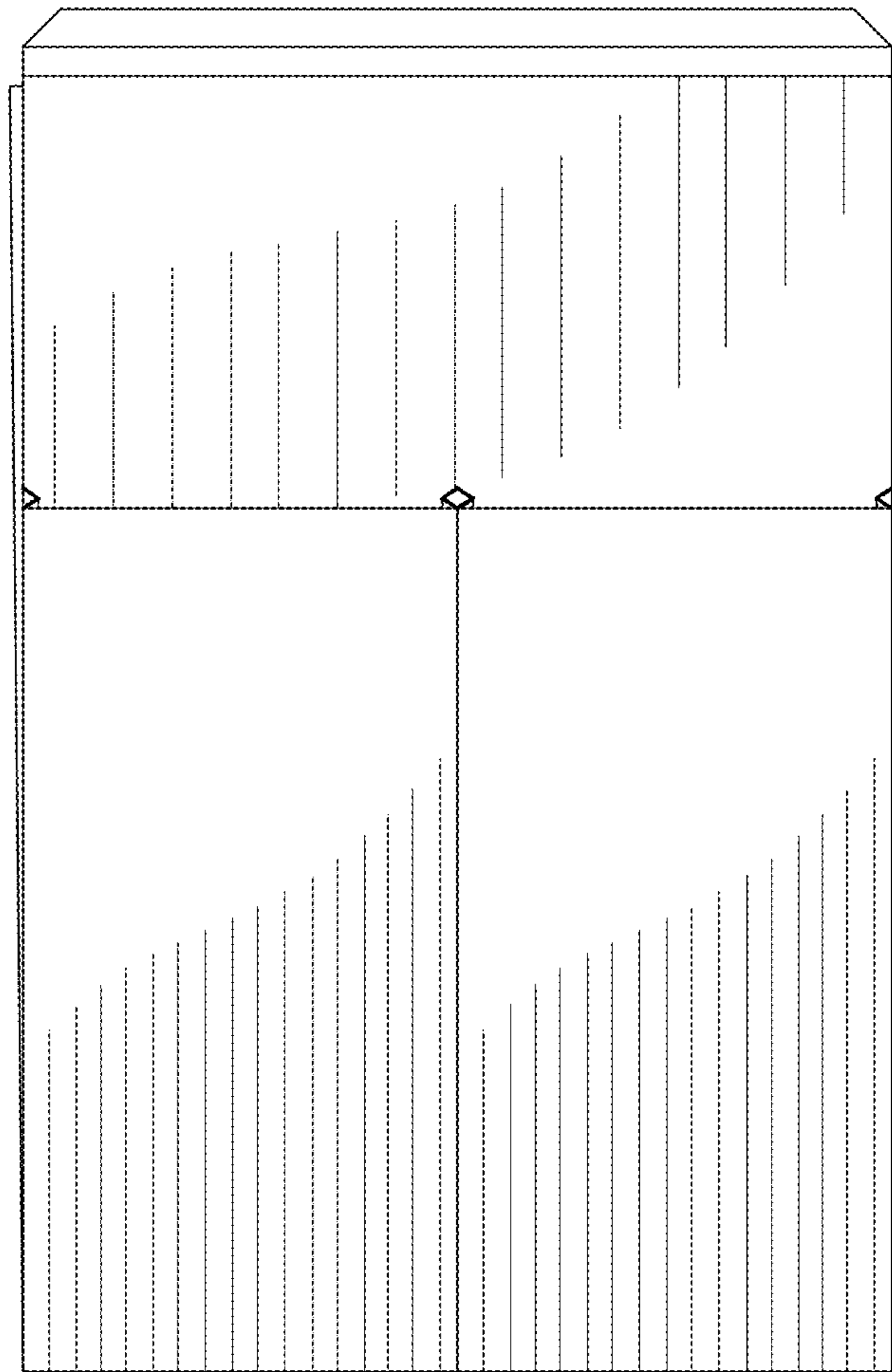


FIG. 3

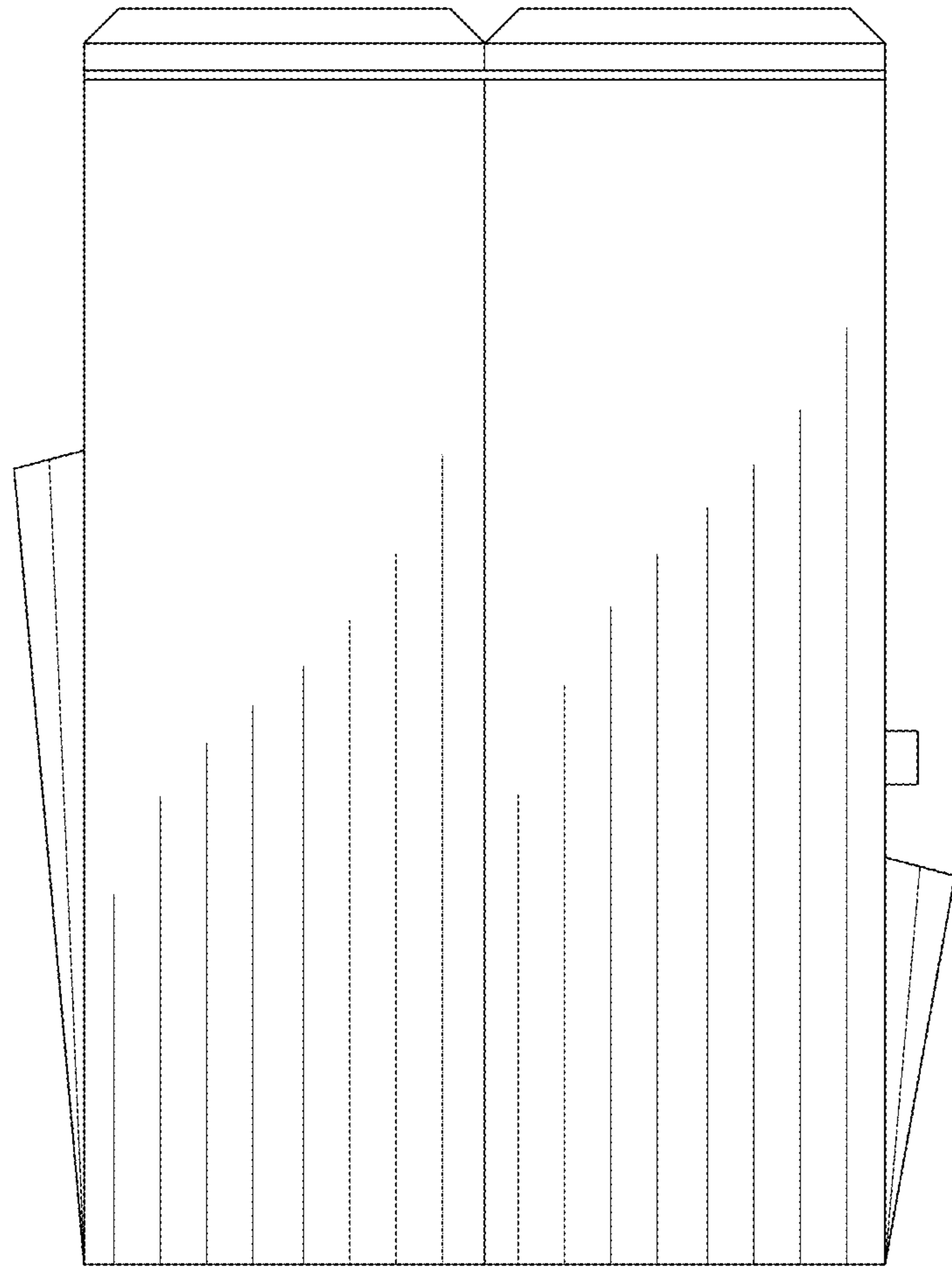


FIG. 4

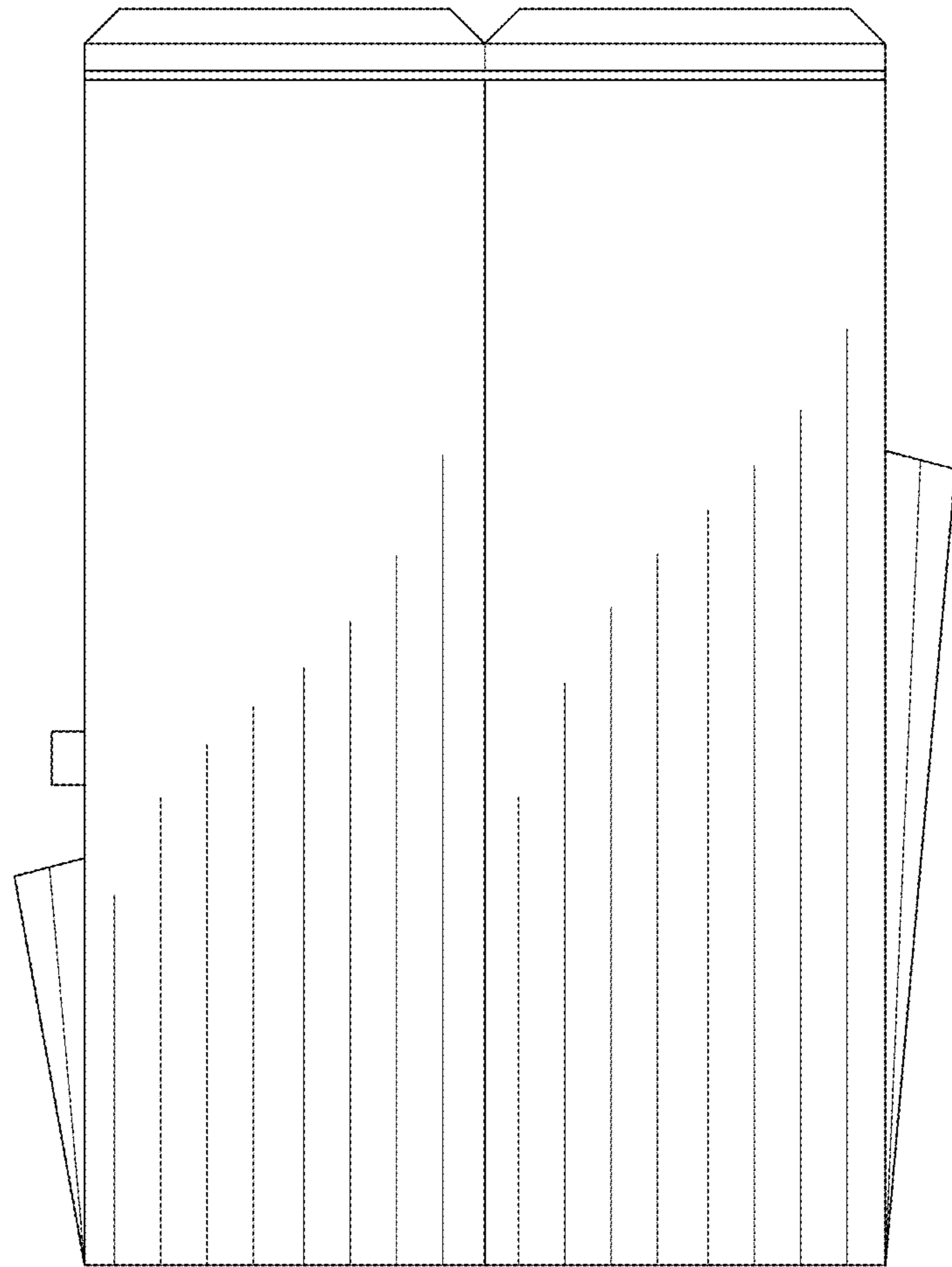


FIG. 5

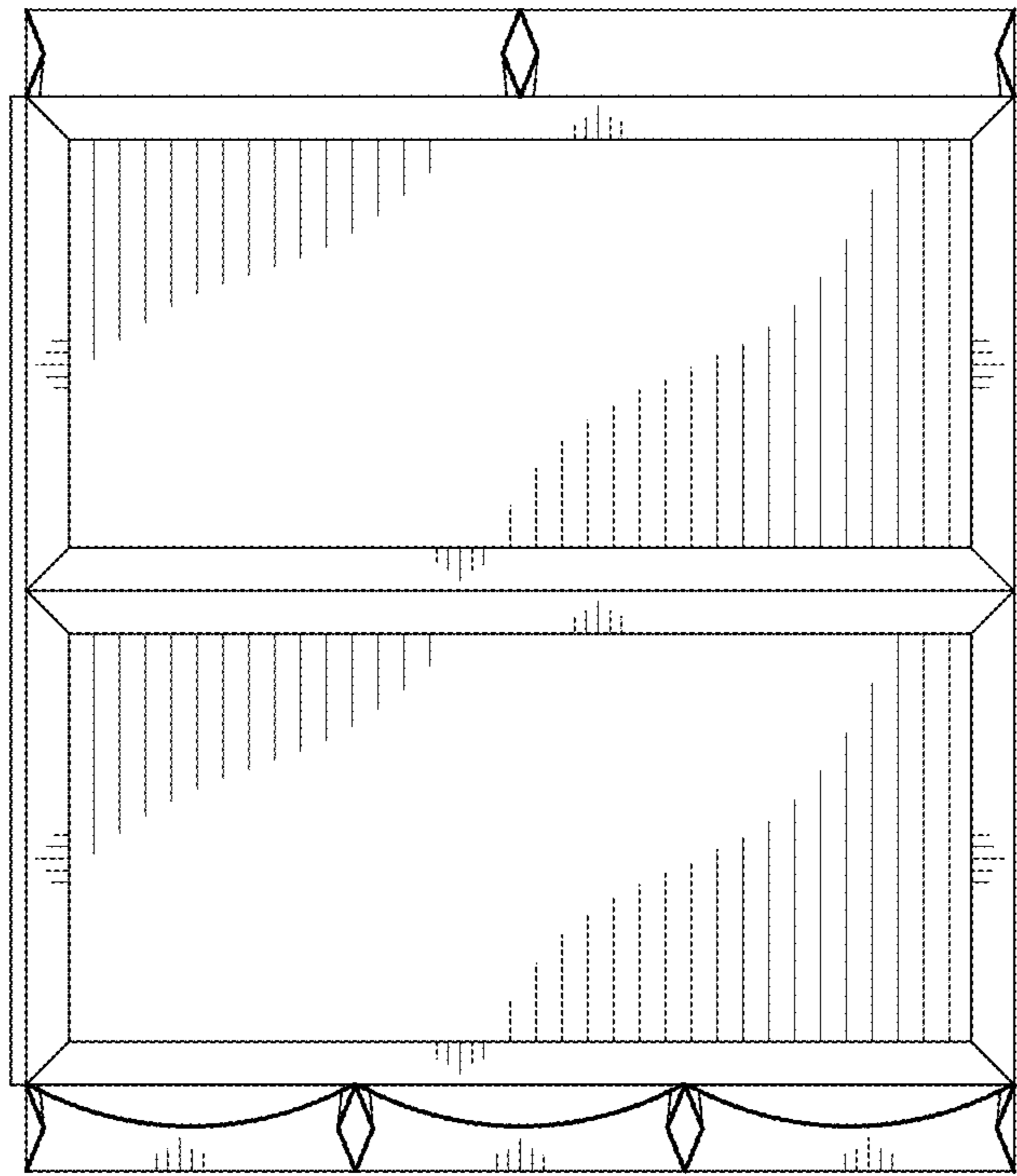


FIG. 6

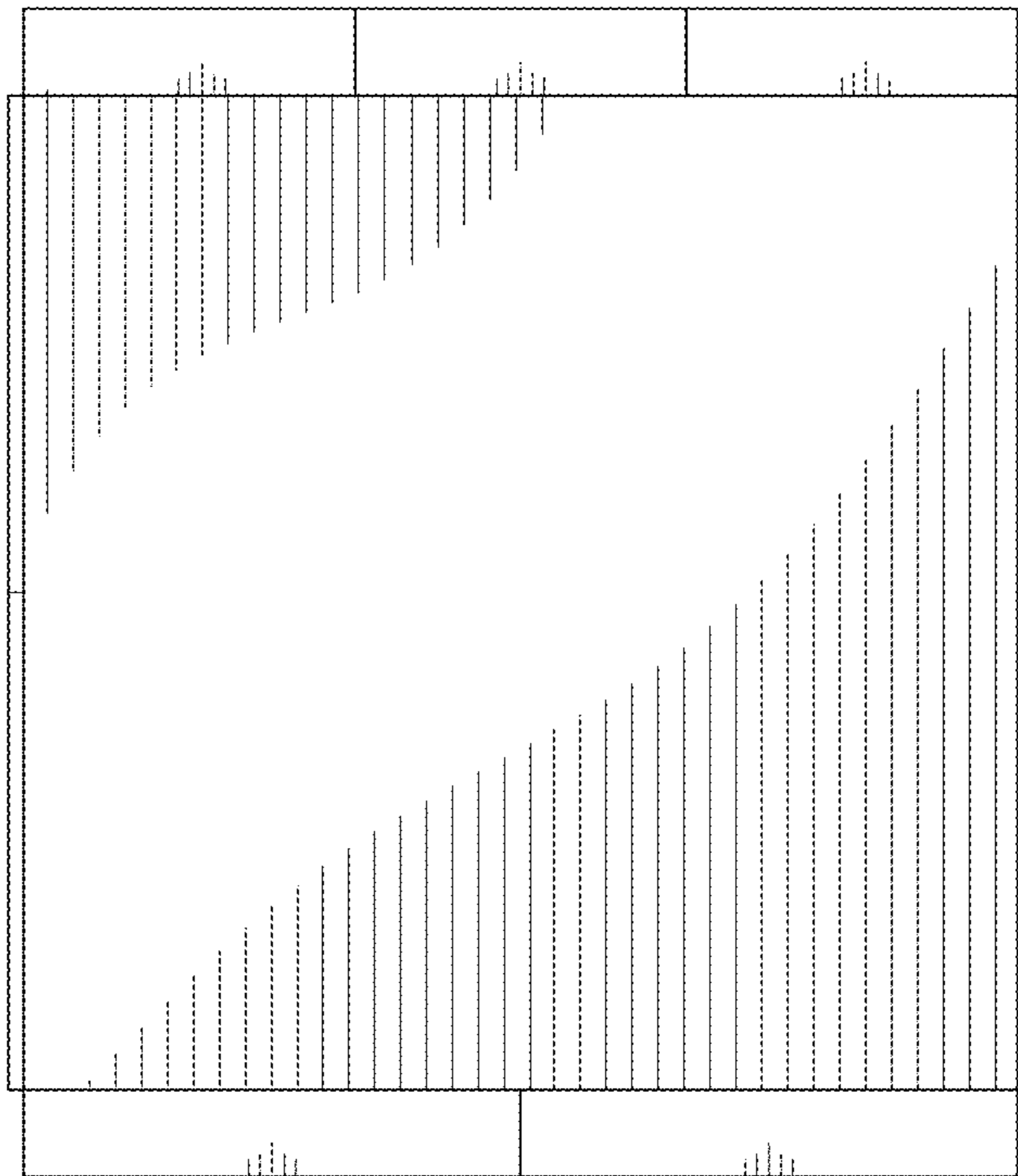


FIG. 7