



US00D989481S

(12) **United States Design Patent**
Roll

(10) **Patent No.:** **US D989,481 S**
(45) **Date of Patent:** **** Jun. 20, 2023**

(54) **BRUSH HANDLE COVER**
(71) Applicant: **Stephen Roll**, Federal Way, WA (US)
(72) Inventor: **Stephen Roll**, Federal Way, WA (US)
(**) Term: **15 Years**
(21) Appl. No.: **29/755,977**
(22) Filed: **Oct. 23, 2020**
(51) **LOC (14) Cl.** **03-01**
(52) **U.S. Cl.**
USPC **D3/269**
(58) **Field of Classification Search**
USPC D4/199; 16/DIG. 16; D3/206, 269
CPC A46B 17/00; B25G 1/102; A45D 44/18
See application file for complete search history.

D378,443 S * 3/1997 Little D28/37
5,860,190 A 1/1999 Cano
6,145,151 A 11/2000 Herron
D540,981 S * 4/2007 Rosdal D28/38
D739,484 S 9/2015 Kaye
D756,123 S * 5/2016 Nguyen D4/199
D756,124 S * 5/2016 Nguyen D4/199
D765,910 S * 9/2016 Bermudez D28/35
D847,427 S * 4/2019 Shen D28/35
D908,284 S * 1/2021 Chandra D28/35
D965,876 S * 10/2022 Zhang D28/35
2006/0248671 A1* 11/2006 Holcomb A46B 17/04
15/184
2012/0054986 A1 3/2012 Wood

FOREIGN PATENT DOCUMENTS

CN 304138221 * 5/2017
KR 300945745.0000 * 2/2018

* cited by examiner

Primary Examiner — Karen E Eldridge Powers

(56) **References Cited**

U.S. PATENT DOCUMENTS

698,578 A * 4/1902 Steiner et al. A45D 4/16
132/233
D85,161 S * 9/1931 Chamberlin D20/21
D135,552 S * 4/1943 Winner D28/73
2,599,019 A * 6/1952 Rupert A45D 44/18
132/289
D226,407 S * 2/1973 Doman 220/8
3,895,877 A * 7/1975 Fomby A46B 3/02
15/171
4,283,808 A * 8/1981 Beebe A46B 5/02
401/6
4,685,360 A * 8/1987 McCurdy B25B 13/02
81/119
D296,157 S * 6/1988 Hartung D4/199
4,751,762 A 6/1988 Meimeteas
4,890,355 A 1/1990 Schulten
4,942,966 A * 7/1990 Kemp B01L 3/5082
206/521
D334,082 S * 3/1993 Tiramani D28/47
5,348,360 A 9/1994 Menacarelli

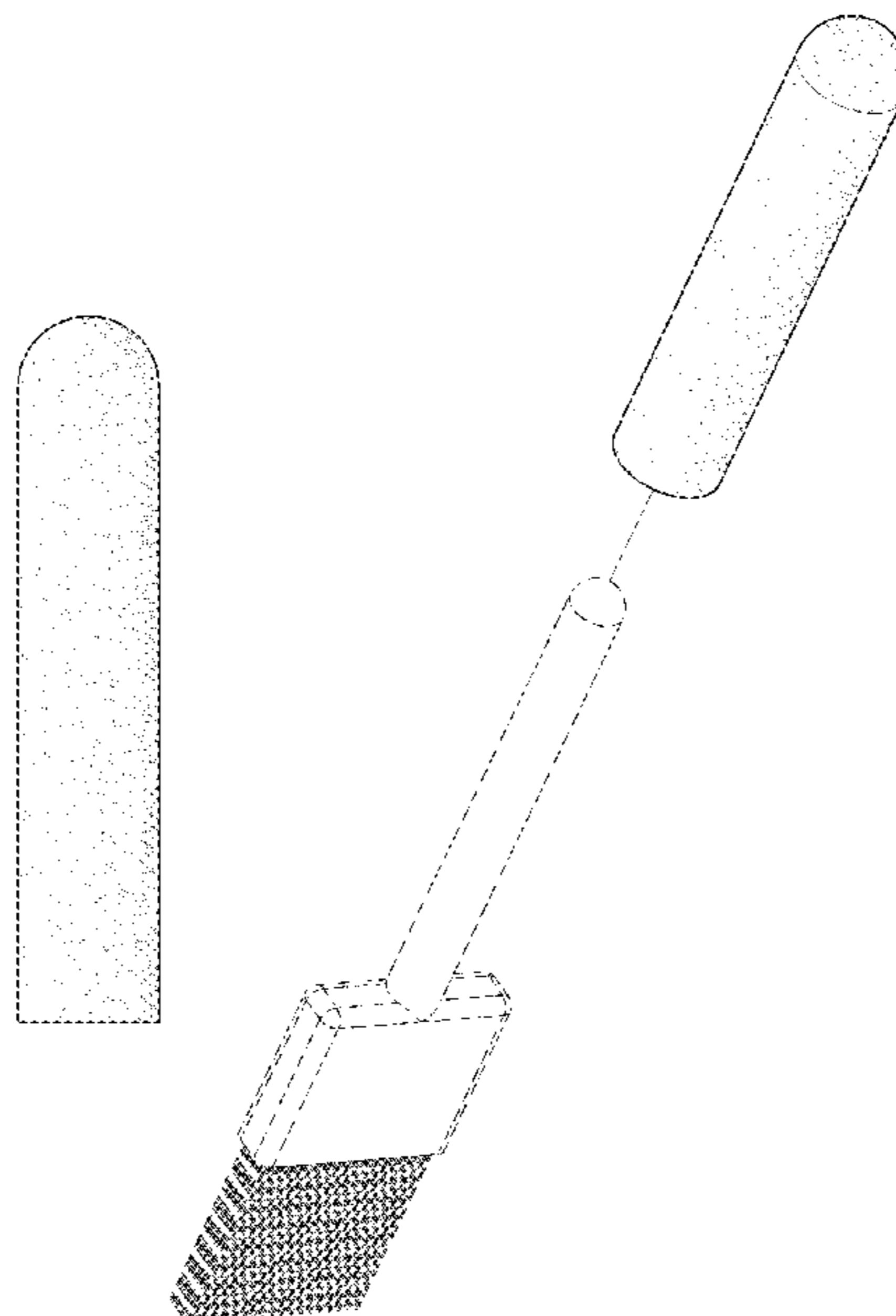
(57) **CLAIM**

The ornamental design for a brush handle cover, as shown and described.

DESCRIPTION

FIG. 1 is a front view of a brush handle cover showing my new design;
FIG. 2 is a rear view of the brush handle cover;
FIG. 3 is a right side view of the brush handle cover;
FIG. 4 is a left side view of the brush handle cover;
FIG. 5 is a bottom view of the brush handle cover;
FIG. 6 is a top view of the brush handle cover; and,
FIG. 7 is a top front side perspective view of the brush handle cover.
The broken lines in FIG. 7 are illustrative of environmental structure forming no part of the claimed design.

1 Claim, 7 Drawing Sheets



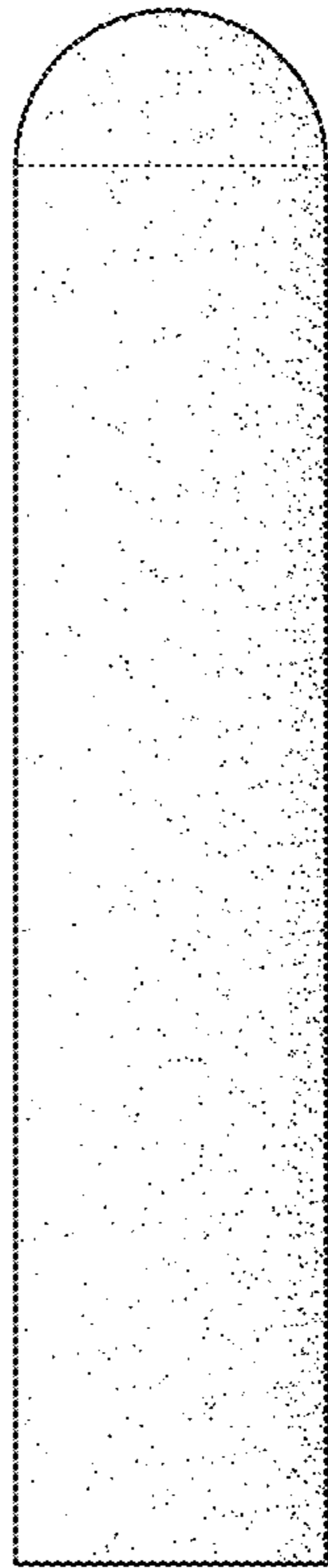


FIG. 1

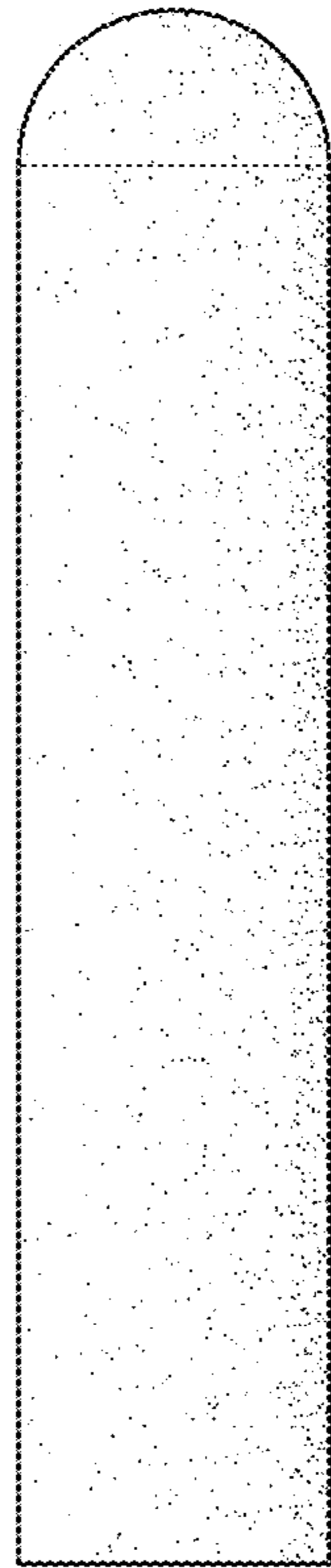


FIG. 2

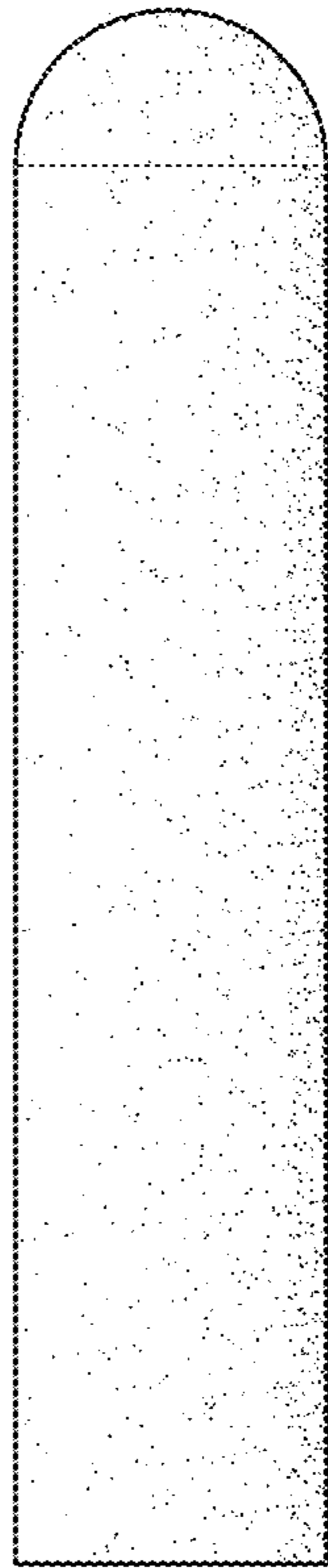


FIG. 3

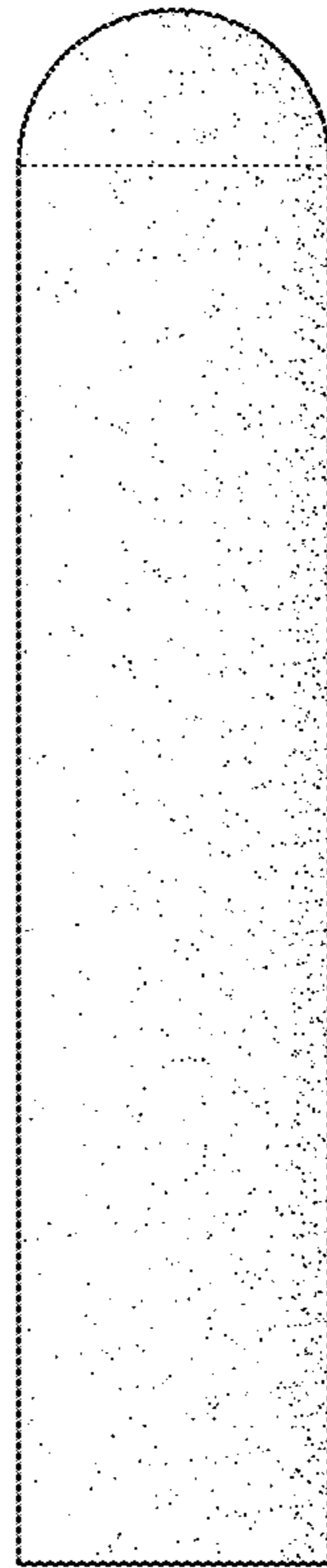


FIG. 4

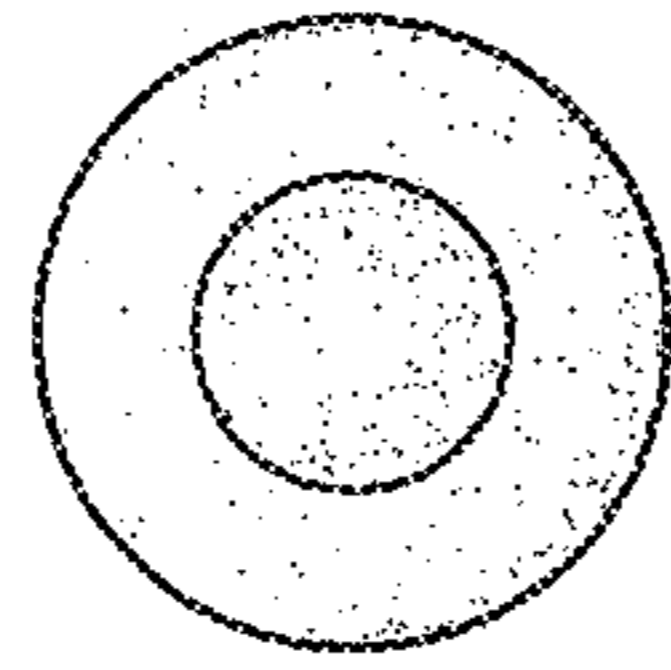


FIG. 5

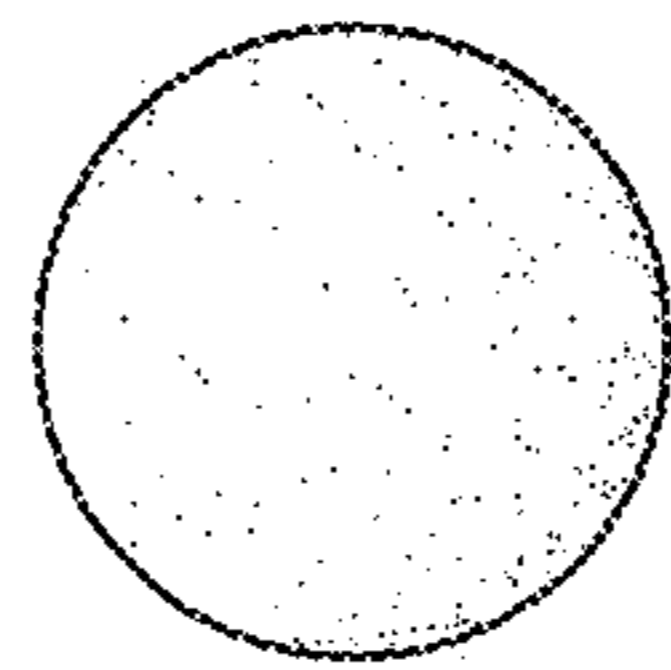


FIG. 6

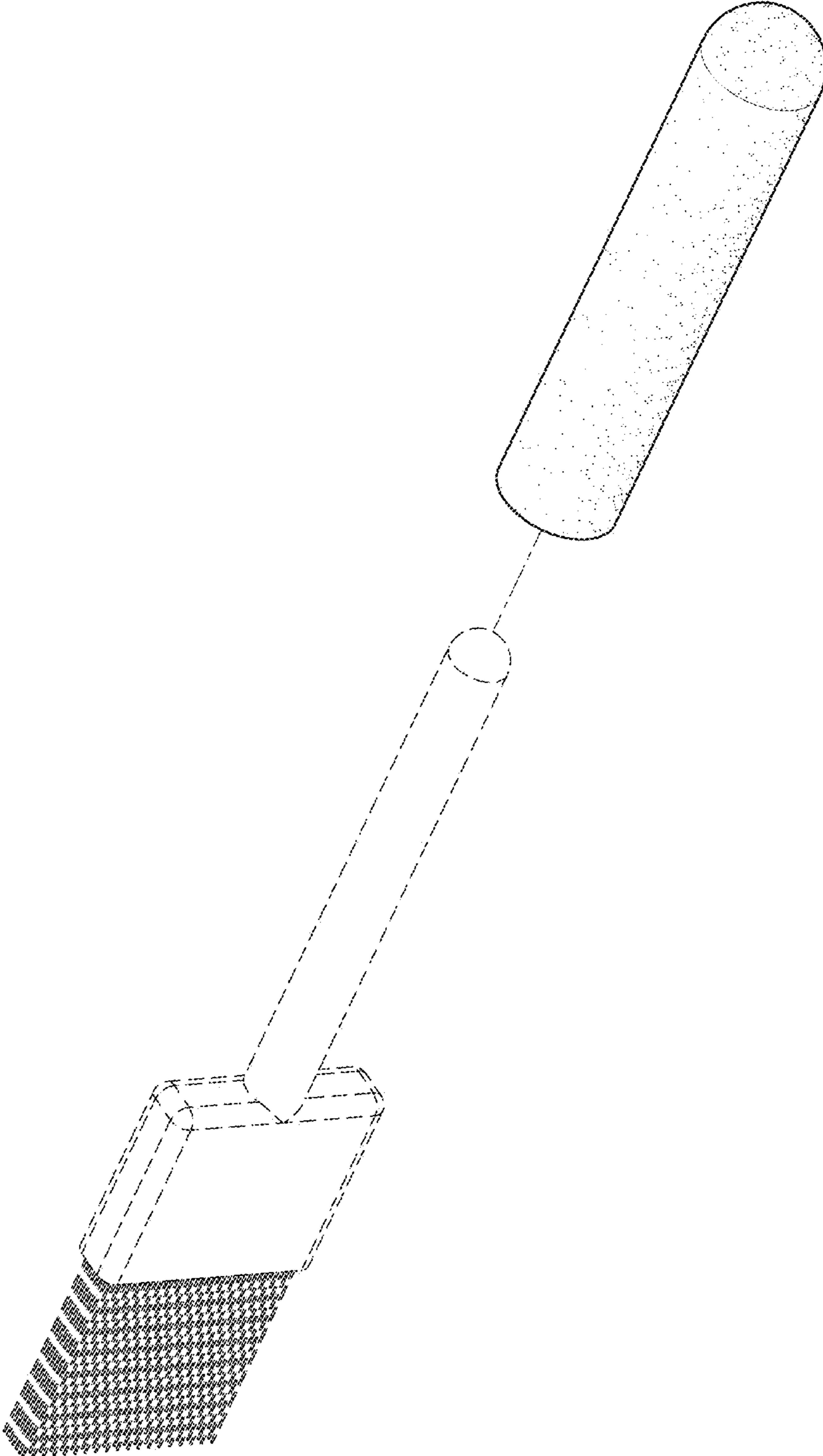


FIG. 7