



US00D989476S

(12) **United States Design Patent**
Chen et al.

(10) **Patent No.:** **US D989,476 S**
(45) **Date of Patent:** **** Jun. 20, 2023**

- (54) **BAG**
- (71) Applicant: **Hualien Armed Forces General Hospital, Xincheng Township (TW)**
- (72) Inventors: **Ying-Hsin Chen, Xincheng Township (TW); Mei-Chun Wang, Xincheng Township (TW); Hsiu-Chu Hsu, Xincheng Township (TW)**
- (73) Assignee: **Hualien Armed Forces General Hospital, Xincheng Township (TW)**
- (**) Term: **15 Years**
- (21) Appl. No.: **29/795,195**
- (22) Filed: **Jun. 17, 2021**
- (51) **LOC (14) Cl.** **03-01**
- (52) **U.S. Cl.**
USPC **D3/232; D3/203.1**
- (58) **Field of Classification Search**
USPC ... **D3/203.1–203.8, 215–217, 226, 232–235, D3/238, 242–243, 245–246, 270–271.2, D3/273–274, 301, 318–319, 321, 328**
CPC **A45F 3/04; A45F 3/042; A45F 4/02; A45F 2003/001; A45C 13/08**
See application file for complete search history.

(56) **References Cited**
U.S. PATENT DOCUMENTS

| | | | |
|--------------|---------|-----------------|---------|
| D62,805 S * | 7/1923 | Schocket | D3/246 |
| D107,150 S * | 11/1937 | Goldsmith | D3/246 |
| D156,402 S * | 12/1949 | Blackwell | D3/242 |
| D311,610 S * | 10/1990 | Dobelle | D30/109 |
| D370,562 S * | 6/1996 | Arini | D3/234 |
| D401,761 S * | 12/1998 | Sandmann | D3/234 |
| D547,947 S * | 8/2007 | Lo | D3/903 |
| D583,557 S * | 12/2008 | Siegel | D3/234 |
| D583,558 S * | 12/2008 | Siegel | D3/242 |

| | | | |
|-------------------|---------|-------------------------------------|--------------------|
| D610,795 S * | 3/2010 | Dejadon | D3/203.1 |
| D632,480 S * | 2/2011 | LaCorte | D3/232 |
| D665,577 S * | 8/2012 | Hollinger | D3/271.1 |
| D700,776 S * | 3/2014 | Citro | D3/271.1 |
| D720,132 S * | 12/2014 | Zhou | D3/234 |
| D760,561 S * | 7/2016 | Felice | D3/271.1 |
| D767,877 S * | 10/2016 | Halko | D3/203.1 |
| D781,054 S * | 3/2017 | Quenson Maniez De La Hennerie | D3/243 |
| D800,443 S * | 10/2017 | Burton | D3/203.1 |
| D968,071 S * | 11/2022 | Li | D3/203.3 |
| D974,493 S * | 1/2023 | Huang | D21/532 |
| 2011/0284598 A1 * | 11/2011 | Lawson | A45C 11/20 224/153 |

FOREIGN PATENT DOCUMENTS

TW 217176-0001 * 6/2021

* cited by examiner

Primary Examiner — Jennifer L Watkins
Assistant Examiner — Samantha Lynne Brodowski
 (74) *Attorney, Agent, or Firm* — Burriss Law, PLLC

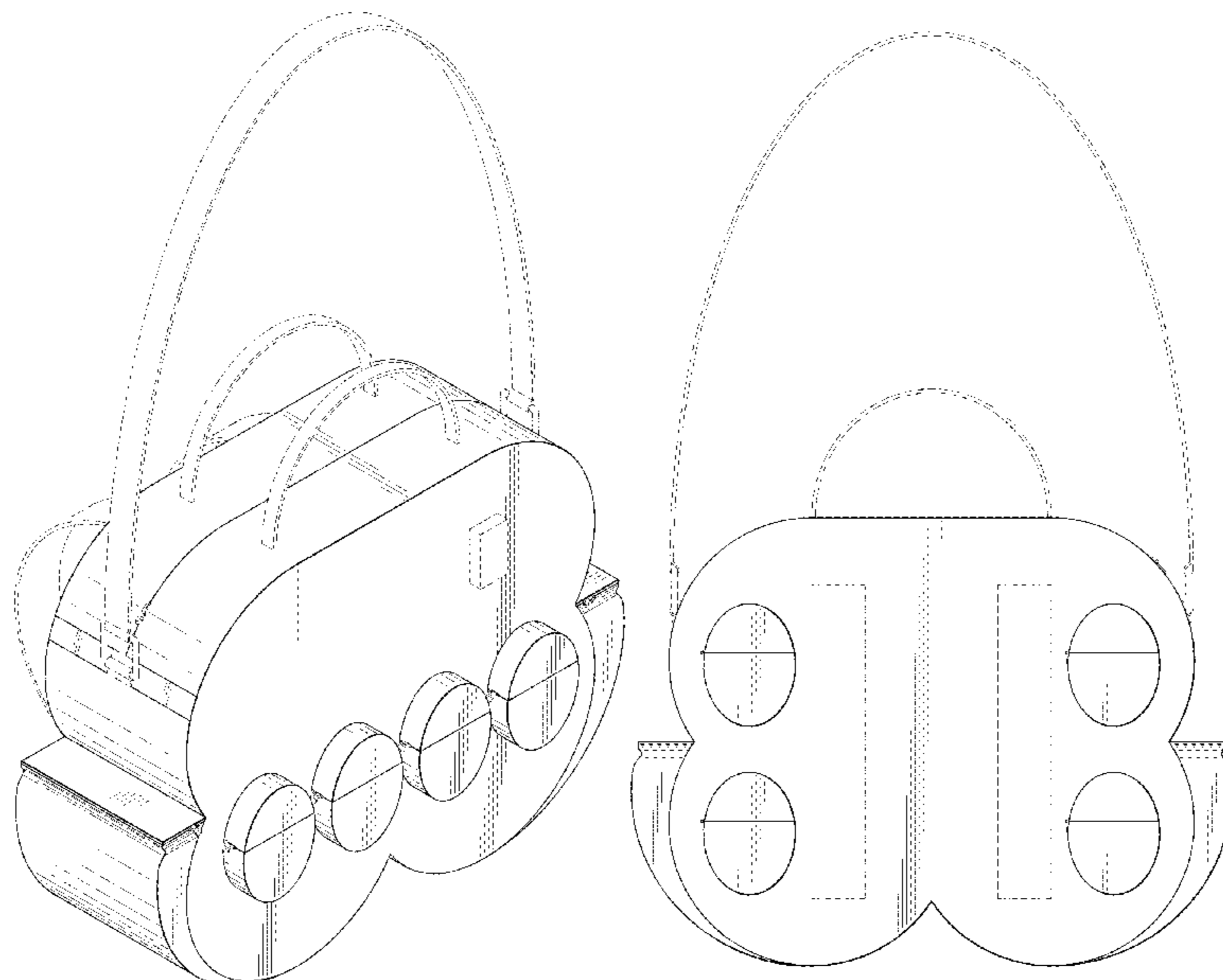
(57) **CLAIM**

The ornamental design for a bag, as shown and described.

DESCRIPTION

FIG. 1 is a front, left, top perspective view of a bag showing our new design;
 FIG. 2 is a front elevational view thereof;
 FIG. 3 is a rear elevational view thereof;
 FIG. 4 is a left side elevational view thereof;
 FIG. 5 is a right side elevational view thereof;
 FIG. 6 is a top plan view thereof;
 FIG. 7 is a bottom plan view thereof; and,
 FIG. 8 is a rear, right, top perspective view thereof.
 The broken lines depict portions of a bag in which the design is embodied that form no part of the claimed design.

1 Claim, 8 Drawing Sheets



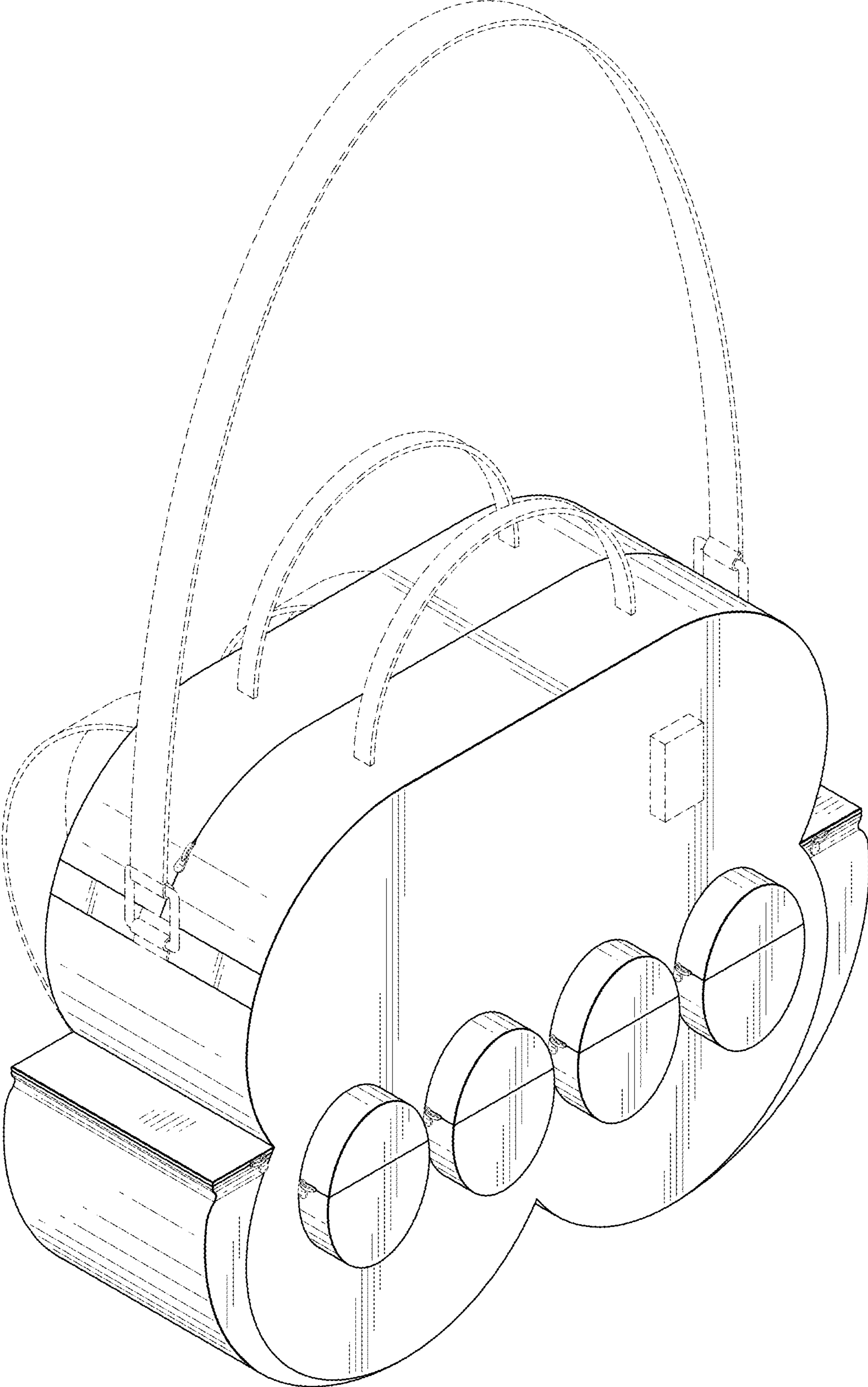


FIG. 1

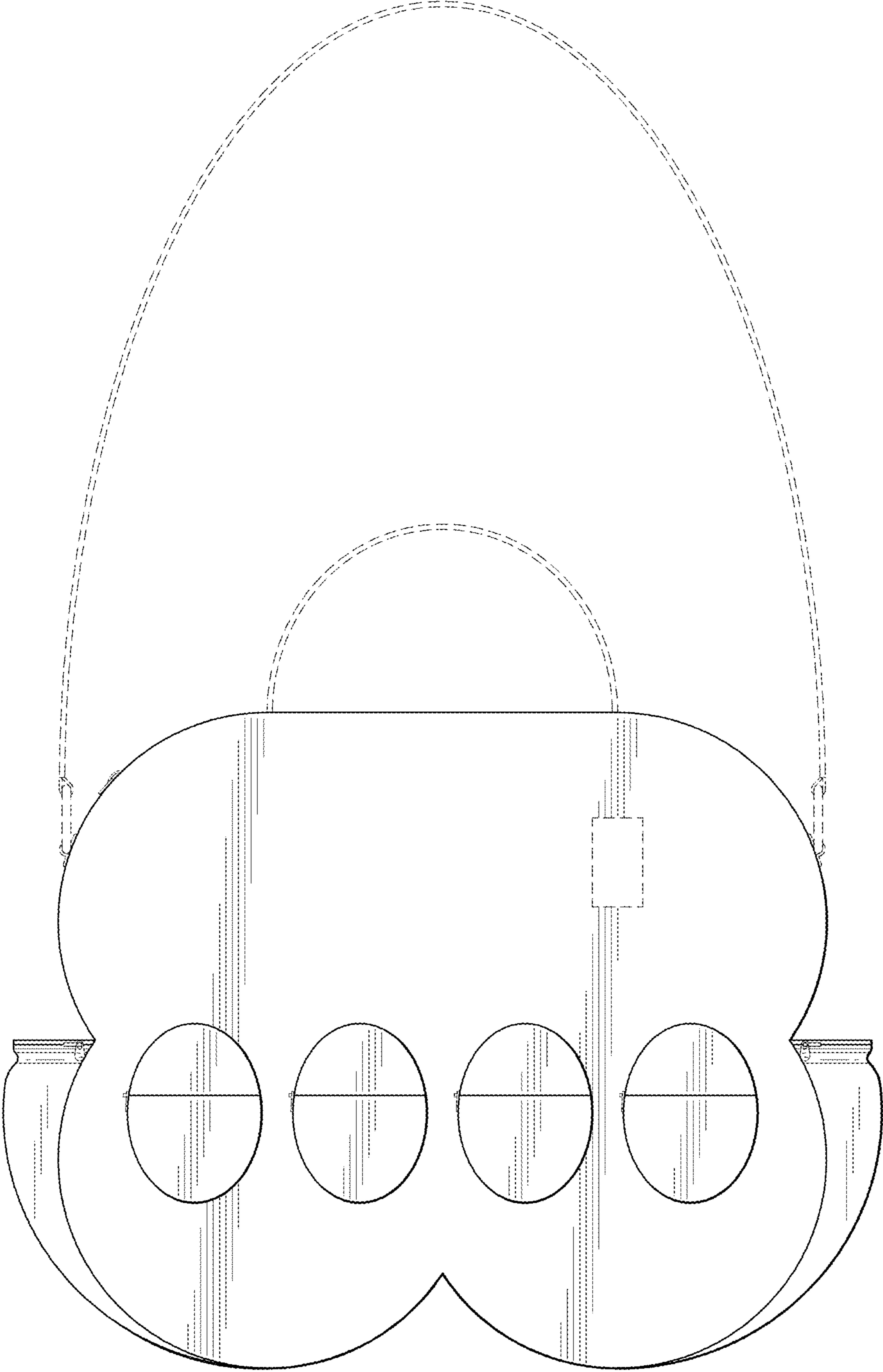


FIG. 2

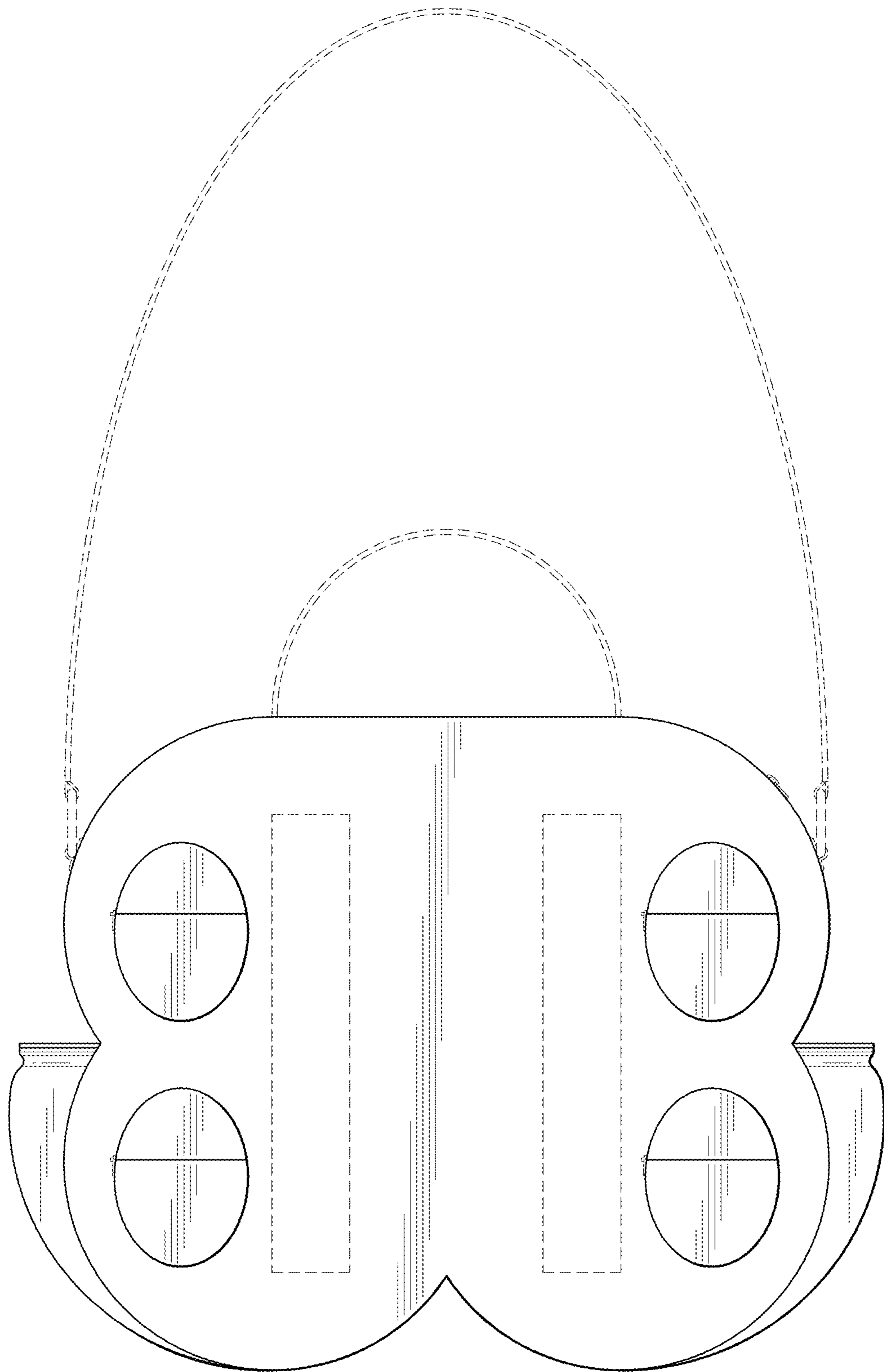


FIG. 3

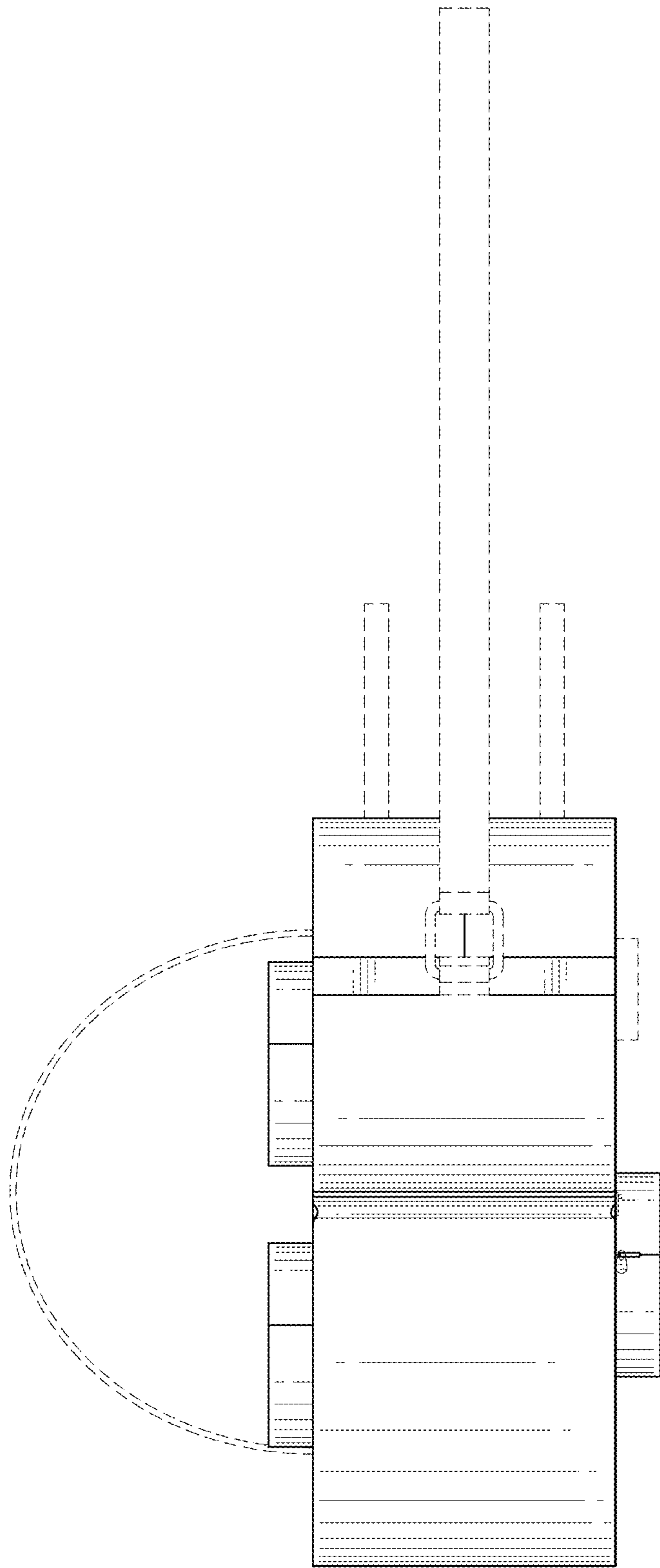


FIG. 4

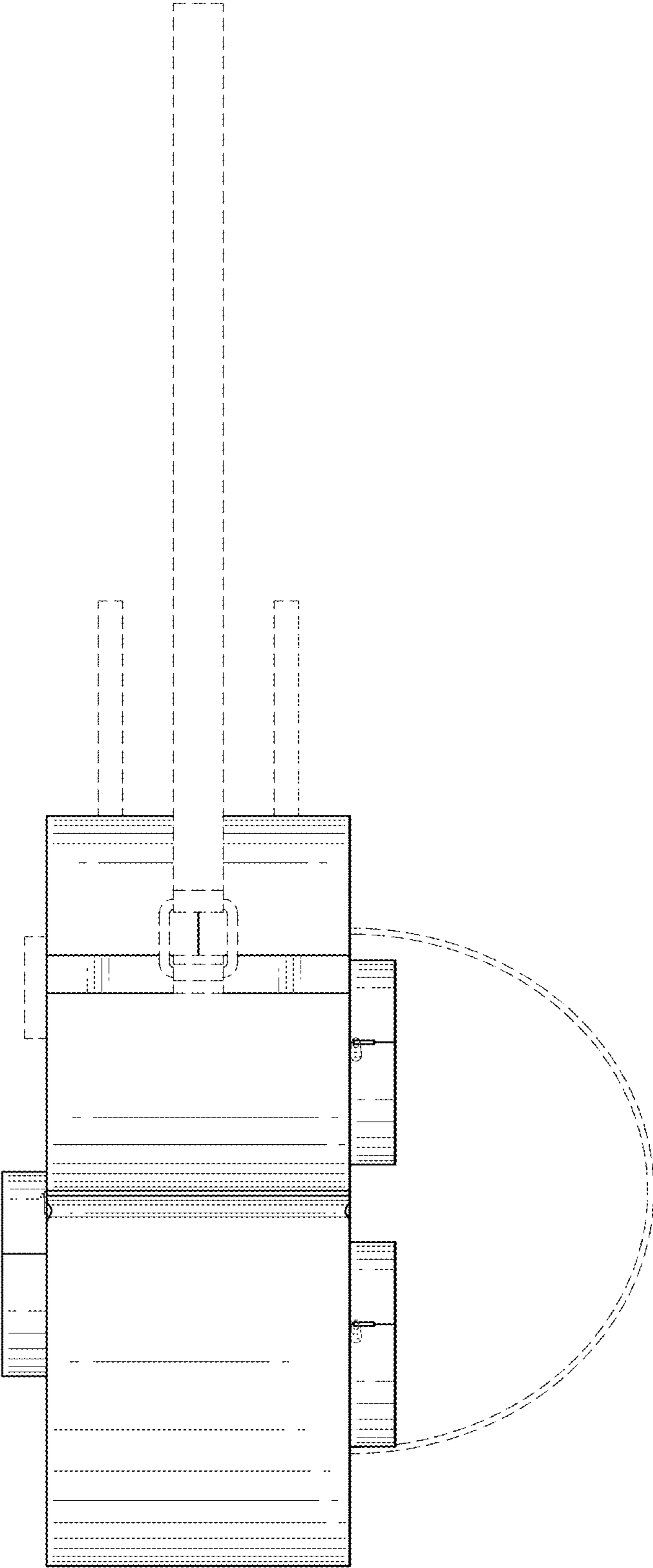


FIG. 5

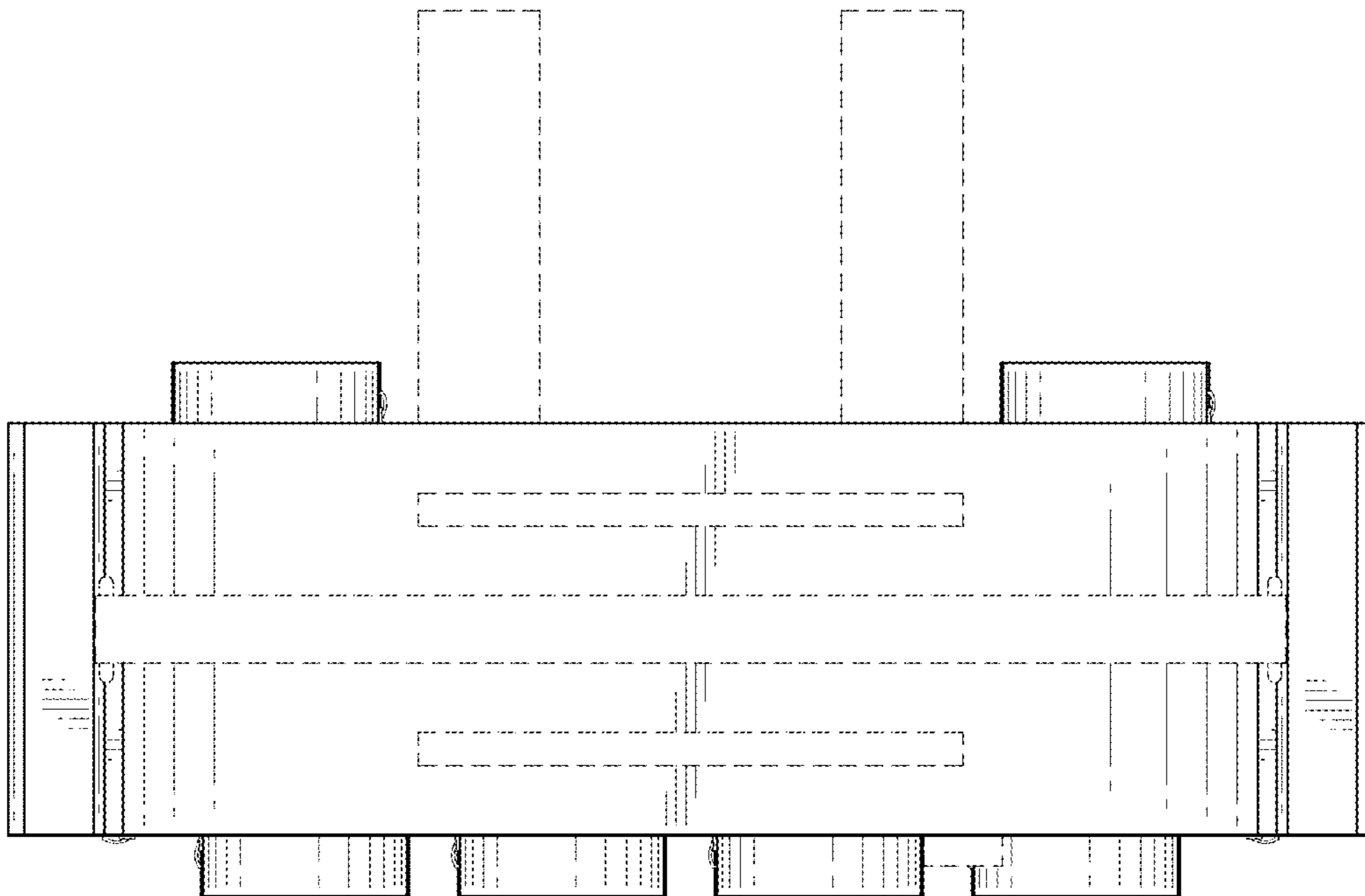


FIG. 6

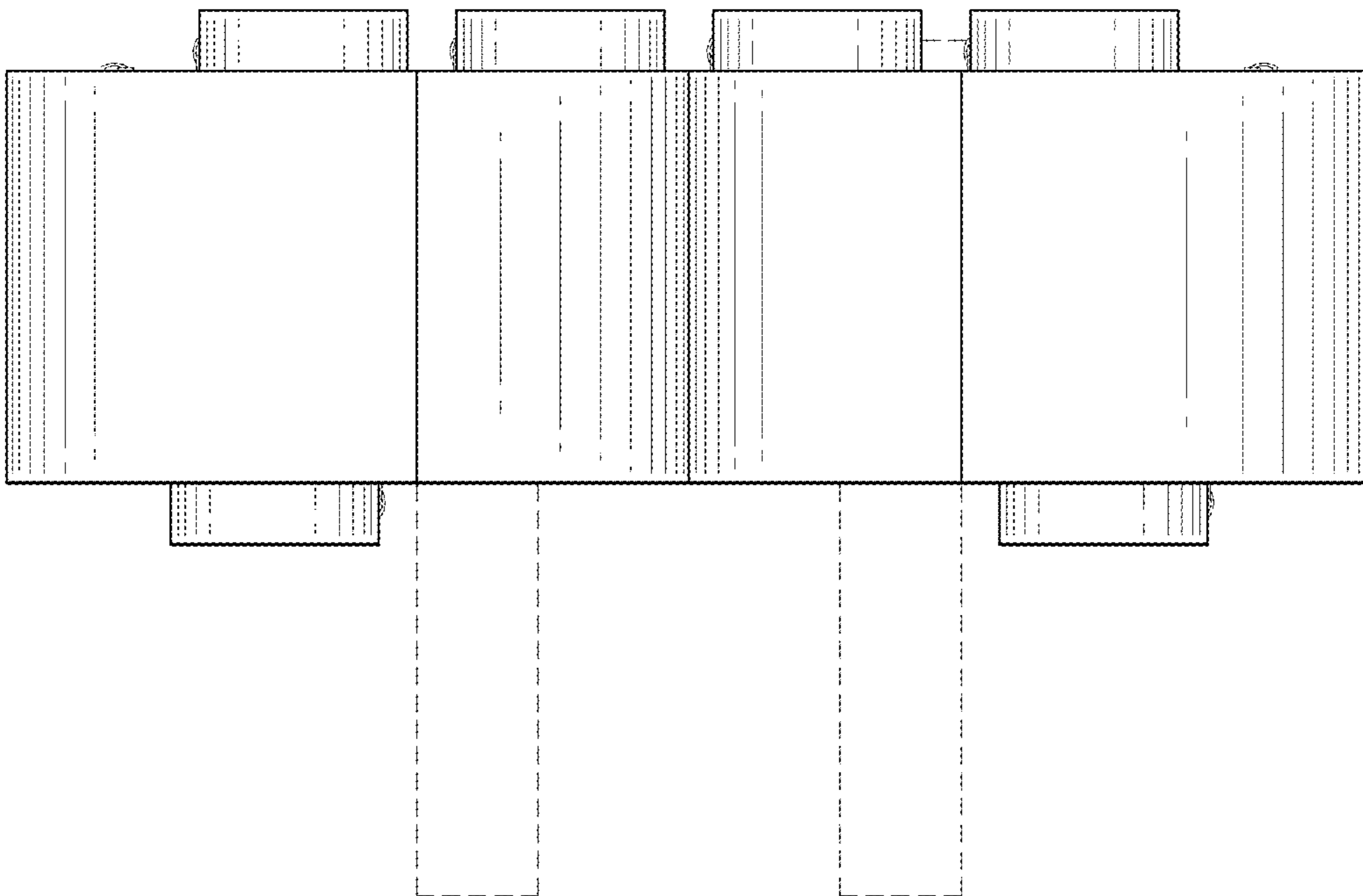


FIG. 7

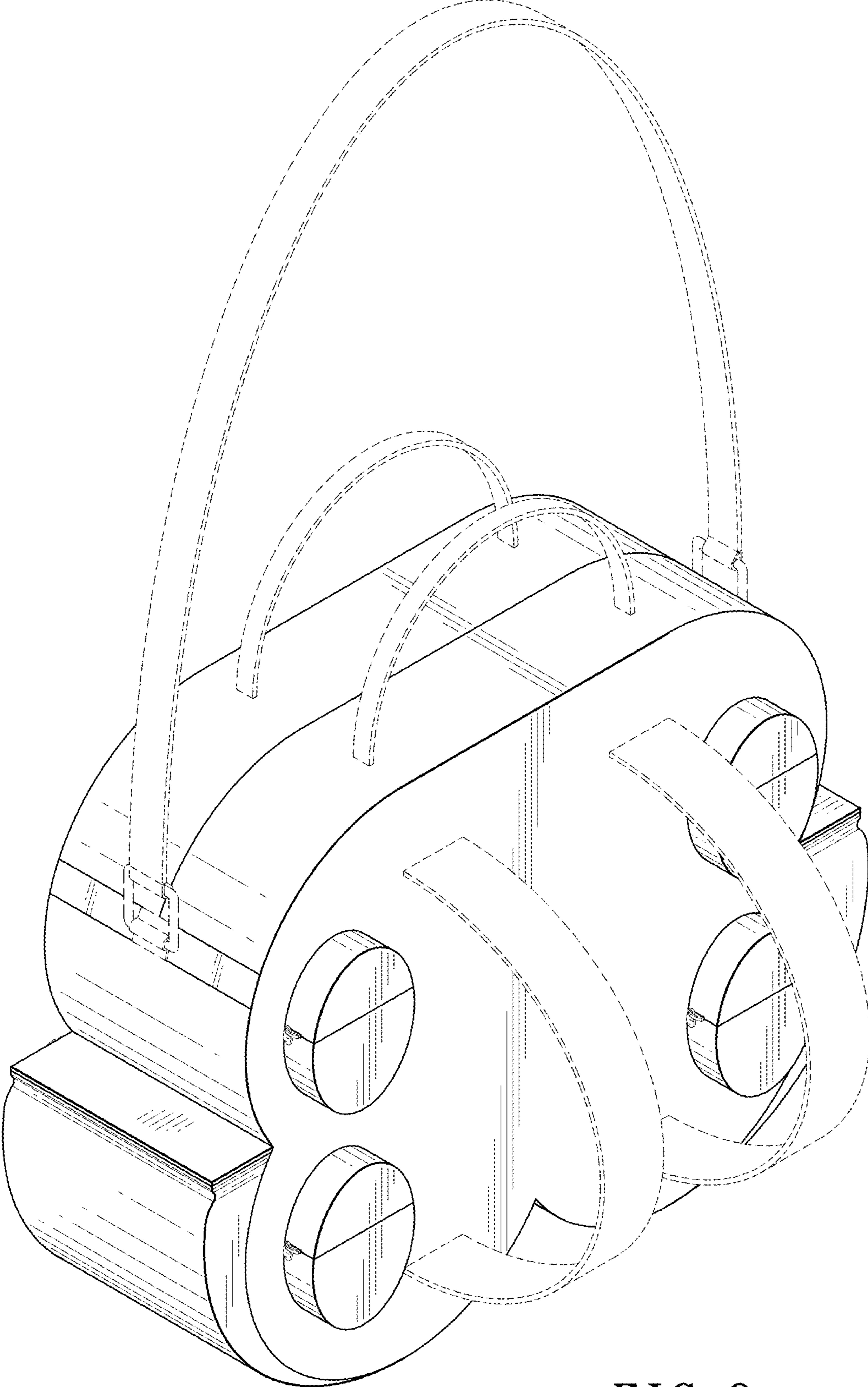


FIG. 8