



US00D989475S

(12) **United States Design Patent** (10) **Patent No.:** **US D989,475 S**
Chambers (45) **Date of Patent:** **** Jun. 20, 2023**

(54) **BELT-ATTACHED ITEM HOLDER**
(71) Applicant: **Glyn Robert Chambers**, Granbury, TX (US)
(72) Inventor: **Glyn Robert Chambers**, Granbury, TX (US)

6,848,605 B2 2/2005 Dillenberger
6,880,794 B1 4/2005 Kahn
6,994,238 B2 2/2006 Estabaya
7,143,841 B2 12/2006 Etter
7,314,153 B2 1/2008 Musarella
D567,615 S 4/2008 Taniguchi
7,802,706 B1 9/2010 Selsor
(Continued)

(**) Term: **15 Years**

(21) Appl. No.: **29/821,239**

(22) Filed: **Dec. 28, 2021**

(51) **LOC (14) Cl.** **03-01**

(52) **U.S. Cl.**
USPC **D3/228**

(58) **Field of Classification Search**
USPC D3/207–212, 215, 217, 218, 228, 230,
D3/268, 272, 273; D9/423, 424, 425,
D9/432
CPC A45C 2005/037; A45C 2005/032; A45C
2005/035; A45C 5/04; A45F 2003/144;
A45F 2200/0575
See application file for complete search history.

(56) **References Cited**

U.S. PATENT DOCUMENTS

D196,542	S	*	10/1963	Zelnick	224/904
4,419,794	A		12/1983	Horton, Jr.		
D280,466	S	*	9/1985	Seltzer	D6/567
4,917,281	A		4/1990	Ostermiller		
D313,507	S	*	1/1991	Sawyer	D3/228
5,054,170	A		10/1991	Otrusina		
D366,144	S	*	1/1996	Alves	D3/228
5,511,705	A		4/1996	Dreszer		
D388,955	S	*	1/1998	Markiewicz	D3/228
5,799,847	A		9/1998	Sandor		
5,915,610	A		6/1999	Russell		
6,318,610	B1		11/2001	Doherty		
6,325,577	B1		12/2001	Anderson		
6,641,011	B1		11/2003	Kahn		
6,655,560	B2		12/2003	Kahn		

OTHER PUBLICATIONS

Builder buddy, posted at amazon.com, first available Sep. 15, 2021, retrieved on Jan. 19, 2023, online, <https://www.amazon.com/Builder-Buddy-Minimal-Holster-Impact/dp/B09G9KJ9ZZ> (Year: 2021).*
(Continued)

Primary Examiner — Mary Shannon Malley
Assistant Examiner — Dustin Andrew Griffith
(74) *Attorney, Agent, or Firm* — QuickPatents, LLC;
Kevin Prince

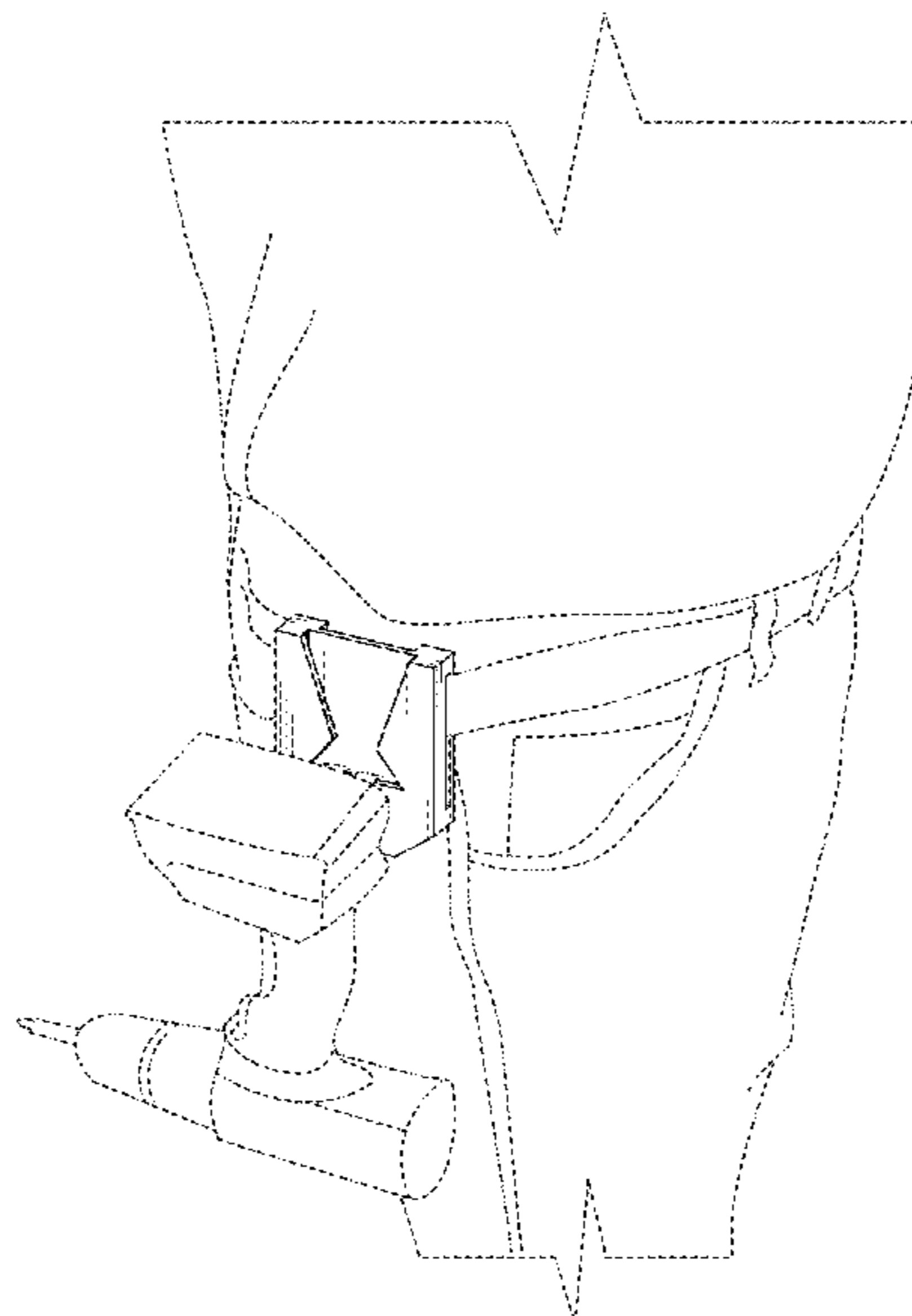
(57) **CLAIM**

The ornamental design for a belt-attached item holder, as shown and described.

DESCRIPTION

FIG. 1 is a perspective view of a belt-attached item holder showing the design in its environment;
FIG. 2 is an enlarged front perspective view thereof;
FIG. 3 is an enlarged rear perspective view thereof;
FIG. 4 is a front elevational view thereof;
FIG. 5 is a rear elevational view thereof;
FIG. 6 is a right-side elevational view thereof, the left-side elevational view being a mirror image thereof;
FIG. 7 is a top plan view thereof; and,
FIG. 8 is a bottom plan view thereof.
The broken lines depicting a person and a drill depict environmental subject matter and forms no part of the claimed design.

1 Claim, 4 Drawing Sheets



(56)

References Cited

U.S. PATENT DOCUMENTS

7,819,370	B2	10/2010	Ho	
8,141,210	B2	3/2012	Colorado	
D691,444	S	10/2013	Tirone	
8,777,077	B2	7/2014	McClain	
9,101,189	B2	8/2015	Vuckov	
D807,028	S *	1/2018	Resca D3/222
D807,029	S *	1/2018	Resca D3/222
10,051,948	B2	8/2018	Carver	
10,258,136	B2	4/2019	Fiorello	
D851,917	S *	6/2019	Paterson D3/215
D854,311	S *	7/2019	Burns D3/218
10,531,724	B2	1/2020	Woodhams	
2002/0008128	A1	1/2002	Field	
2004/0050888	A1	3/2004	Warner	
2004/0115525	A1	6/2004	Kuo	
2004/0226174	A1	11/2004	Etter	
2005/0011919	A1	1/2005	Durham	
2006/0104735	A1	5/2006	Zeiler	
2007/0023471	A1 *	2/2007	Garcia B25H 3/006 224/904
2007/0125565	A1	6/2007	Etter	
2007/0228093	A1	10/2007	Durham	
2007/0284405	A1	12/2007	Prevost	

2008/0000939	A1	1/2008	Walsh
2008/0277546	A1	11/2008	Kahn
2009/0145938	A1	6/2009	Kahn
2009/0242598	A1	10/2009	Dormaar
2010/0044405	A1	2/2010	Albert
2010/0327029	A1	12/2010	Kahn
2014/0097217	A1	4/2014	Walsh
2015/0122856	A1	5/2015	Pecotte
2021/0023690	A1	1/2021	Lachica Koch

OTHER PUBLICATIONS

Clip on tool belt drill holder, posted at amazon.com, first available Oct. 8, 2022 retrieved on Jan. 19, 2023, online, <https://www.amazon.com/Holder-Holster-Measure-Cordless-Impact/dp/B0BCVSWH9Z> (Year: 2022).*

Lzdrason belt clip holder, posted at amazon.com, first available Nov. 26, 2021, retrieved on Jan. 19, 2023, online, <https://www.amazon.com/Measure-Holder-Holster-Tactical-Cordless/dp/B09MLY8NTH> (Year: 2021).*

Spider tool holster, posted at amazon.com, first available Jul. 3, 2019, retrieved on Jan. 19, 2023, online, <https://www.amazon.com/Spider-Tool-Holster-TAPE-MEASURE/dp/B07TVKCPGT> (Year: 2019).*

* cited by examiner

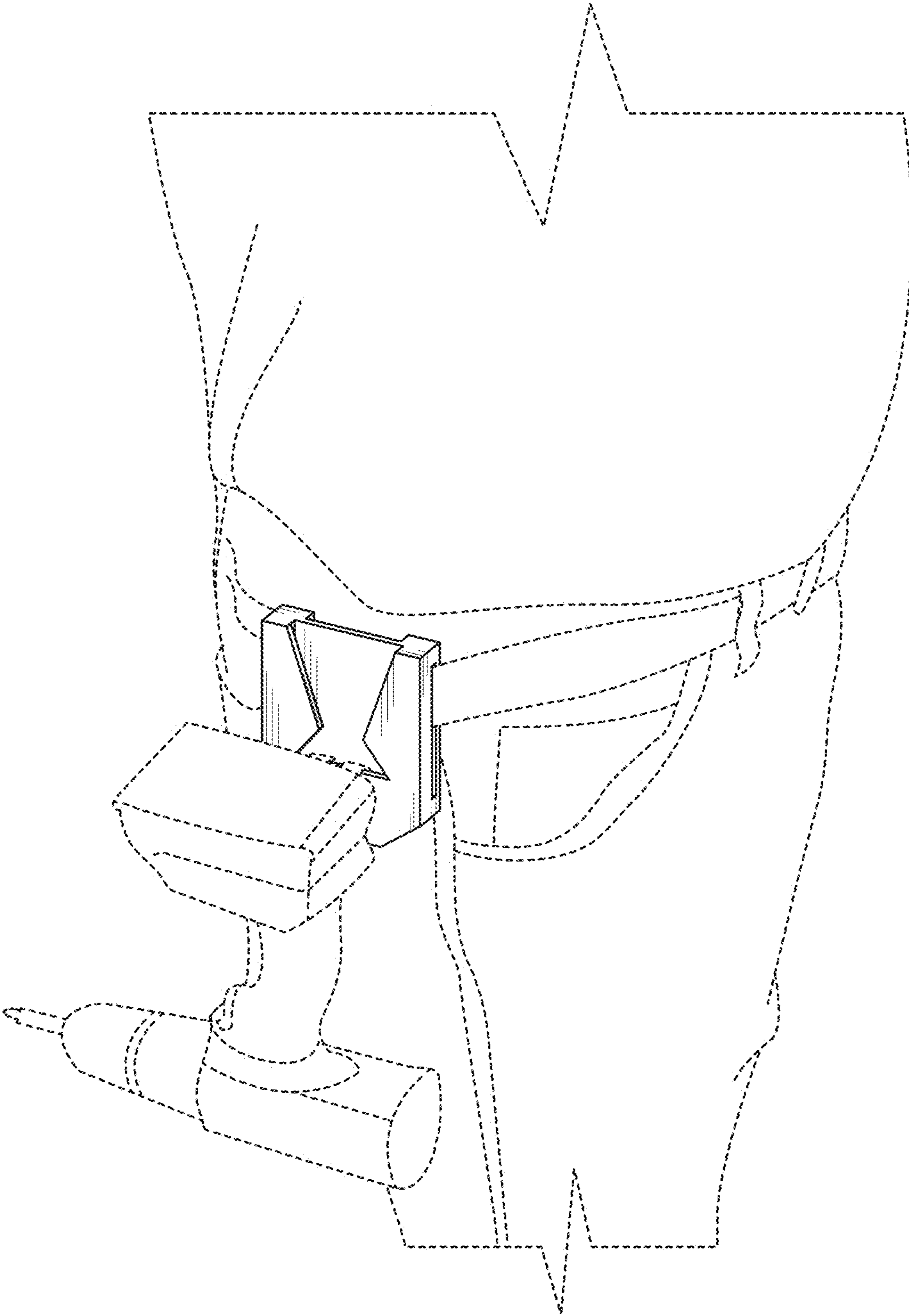


FIG. 1

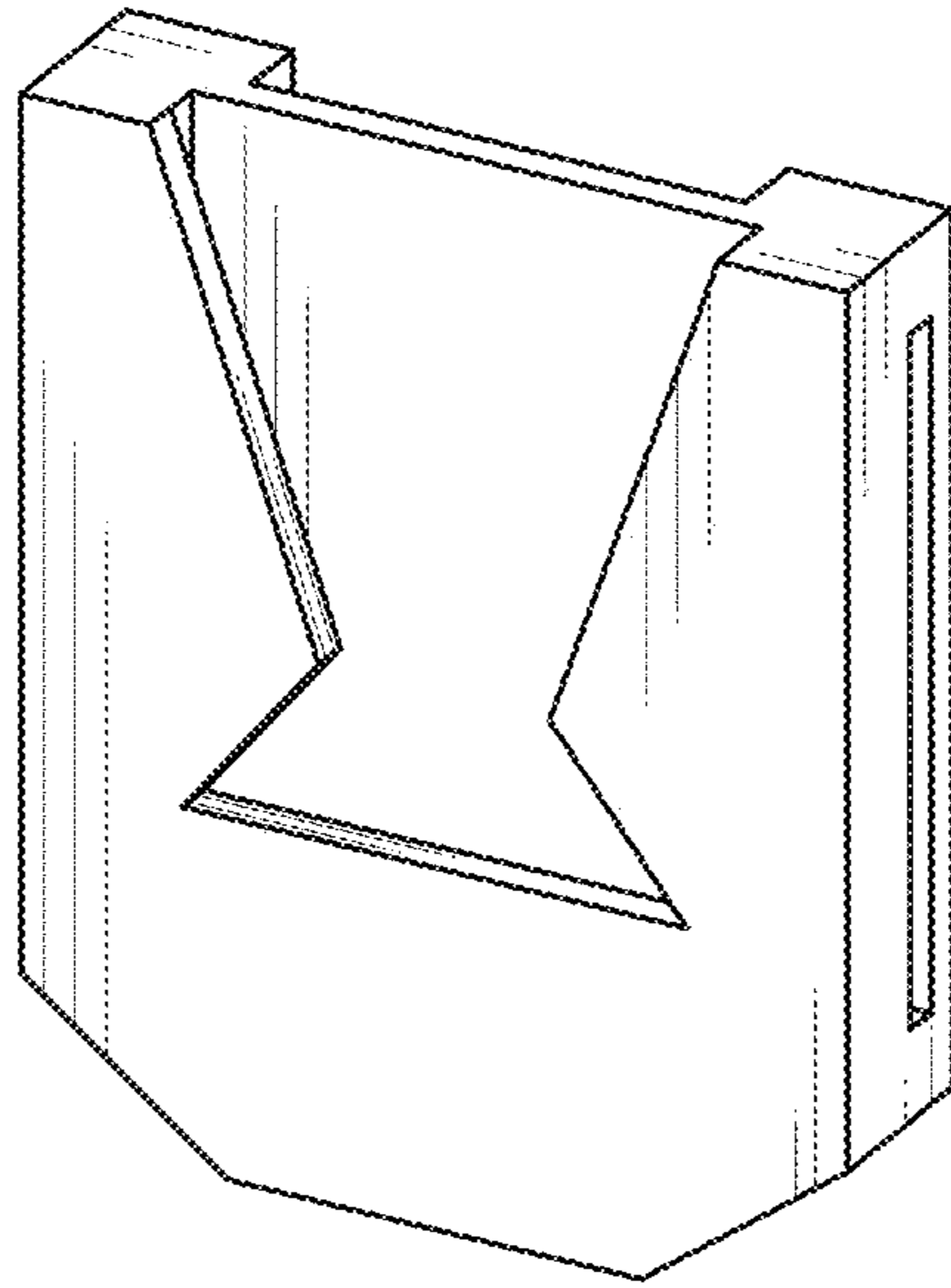


FIG. 2

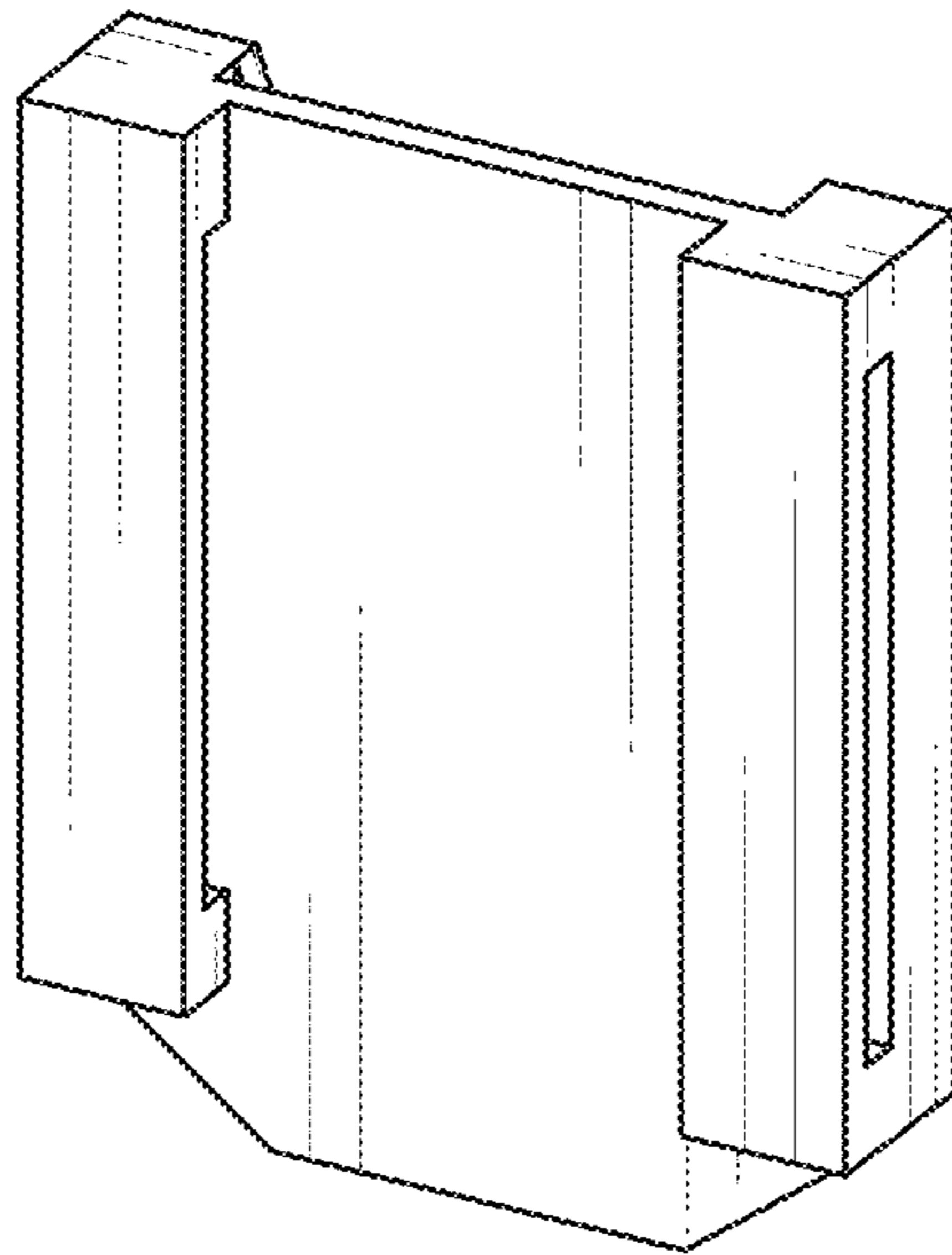


FIG. 3

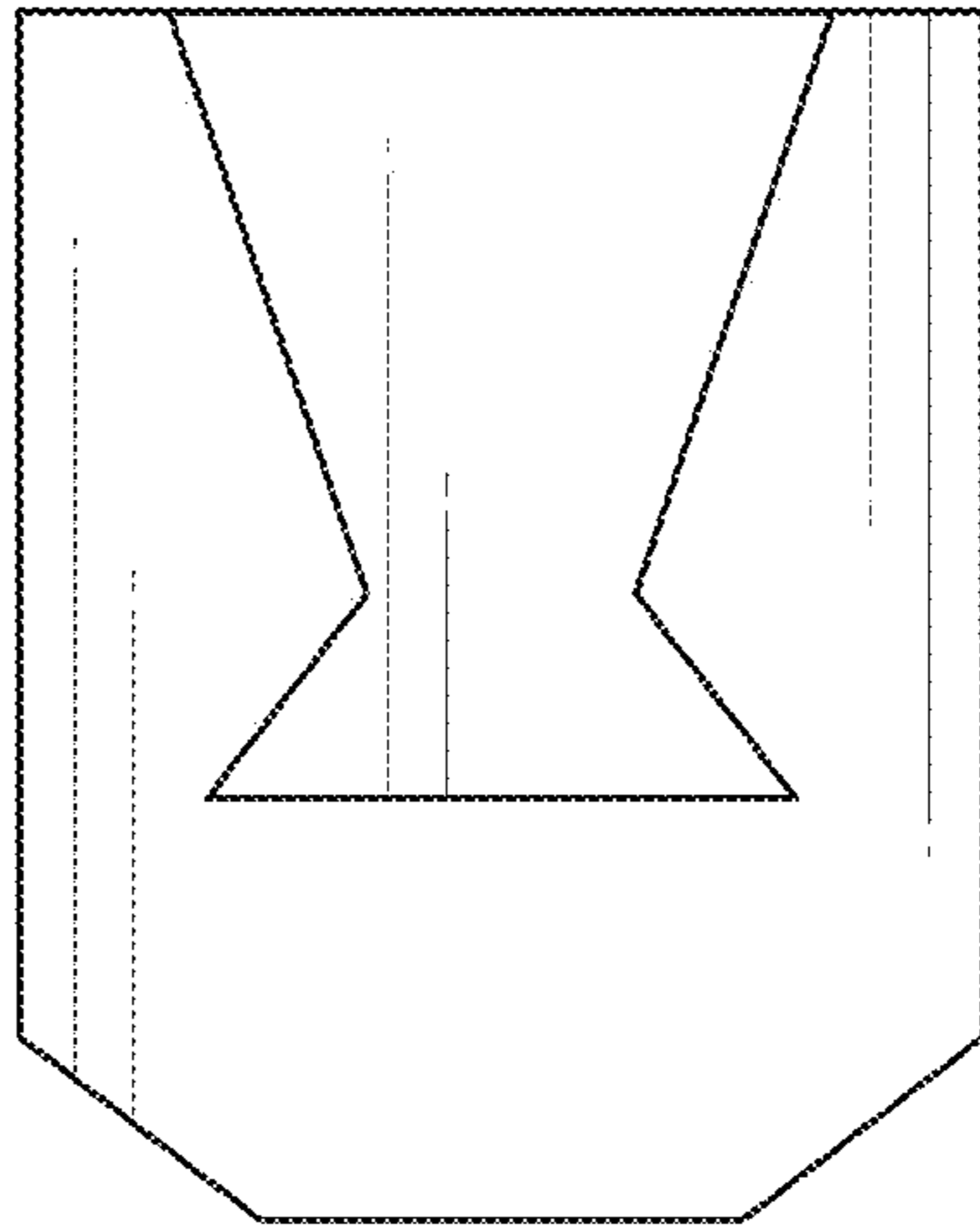


FIG. 4

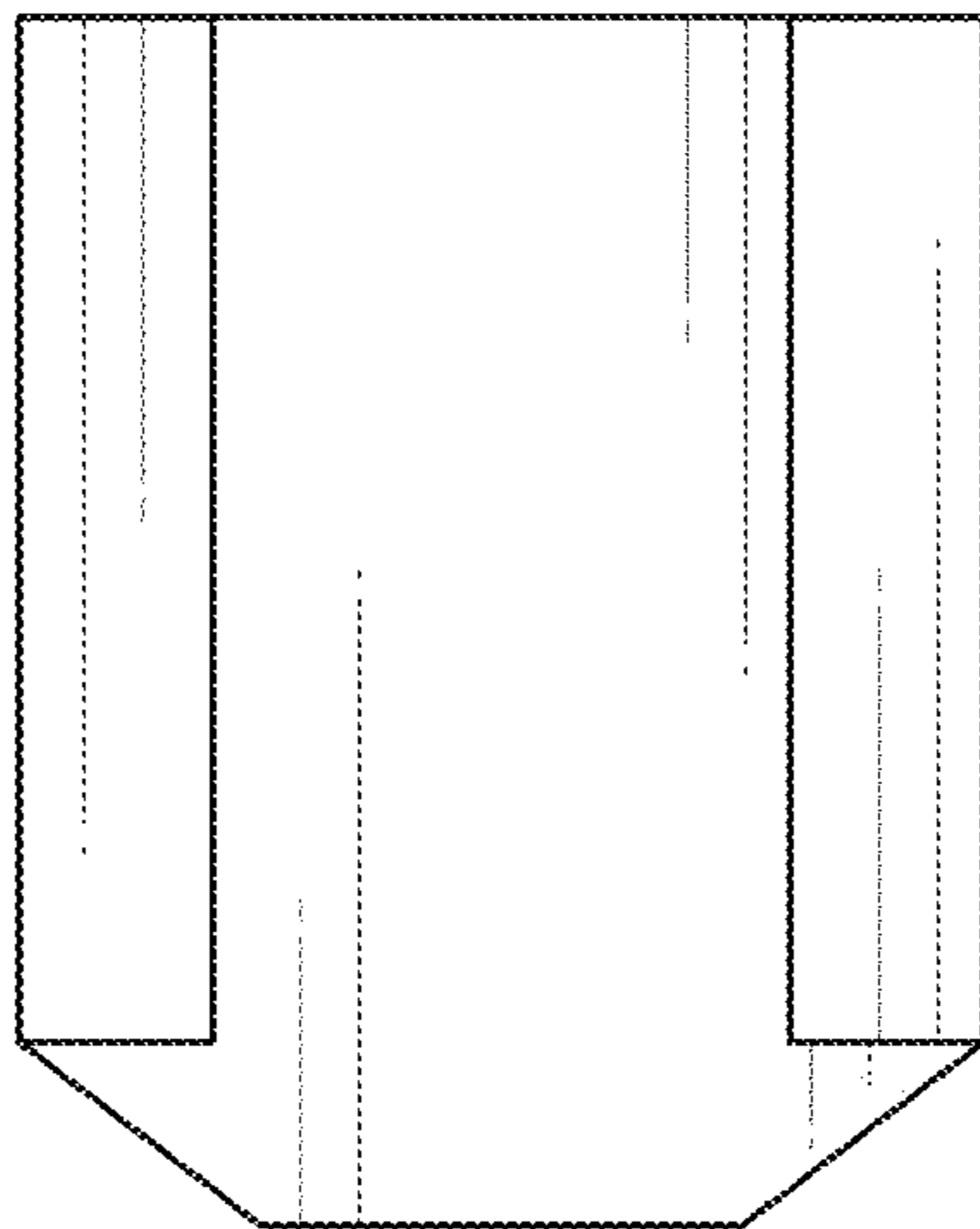


FIG. 5



FIG. 6

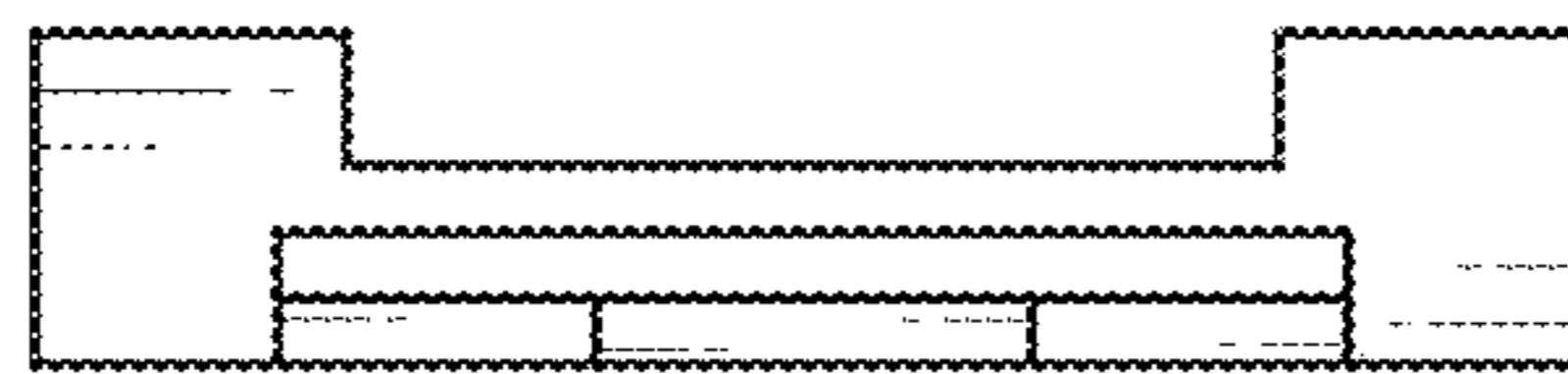


FIG. 7

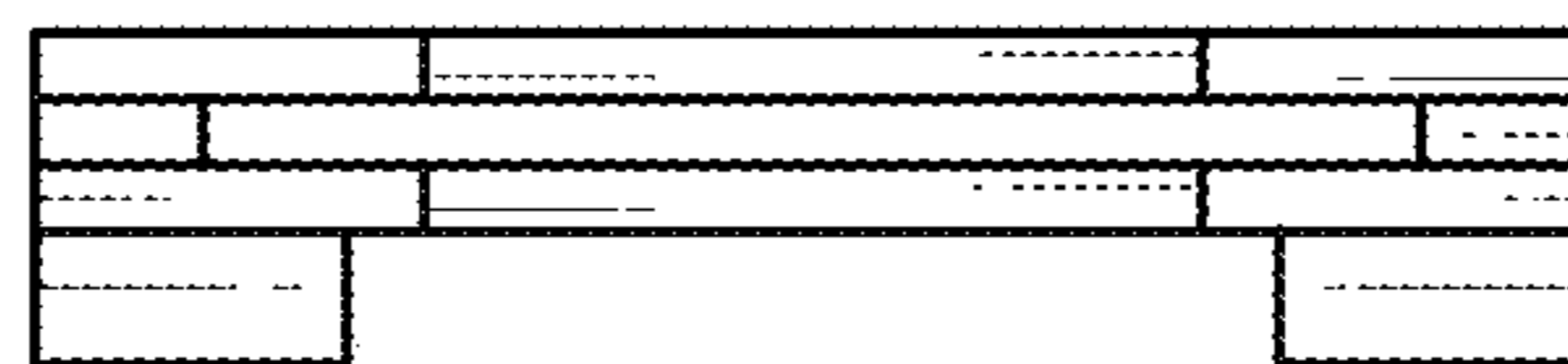


FIG. 8