



US00D989474S

(12) **United States Design Patent** (10) **Patent No.:** **US D989,474 S**
Arsenina (45) **Date of Patent:** **** Jun. 20, 2023**

(54) **BACKPACK**
(71) Applicant: **Maryna Arsenina**, Basel (CH)
(72) Inventor: **Maryna Arsenina**, Basel (CH)
(**) Term: **15 Years**

D906,664 S * 1/2021 Kuipers D3/216
D938,729 S * 12/2021 Cardenas D3/246
D947,529 S * 4/2022 Mansur D3/246
D953,018 S * 5/2022 Dumas D3/232
D957,118 S * 7/2022 Munie D3/217
D960,564 S * 8/2022 Vaccarello D3/243
2015/0257517 A1* 9/2015 Holtz A45F 4/02
224/645

(21) Appl. No.: **35/512,157**
(22) Filed: **Jan. 11, 2021**

(80) **Hague Agreement Data**

Int. Filing Date: **Jan. 11, 2021**
Int. Reg. No.: **DM/213733**
Int. Reg. Date: **Jan. 11, 2021**
Int. Reg. Pub. Date: **Jul. 16, 2021**

(51) **LOC (14) Cl.** **03-01**
(52) **U.S. Cl.**
USPC **D3/217; D3/243**
(58) **Field of Classification Search**
USPC **D3/216-217, 232, 233, 243, 245**
See application file for complete search history.

(56) **References Cited**

U.S. PATENT DOCUMENTS

2,170,379 A * 8/1939 Ortt A01K 1/033
383/41
D244,488 S * 5/1977 Surie D3/243
D264,020 S * 4/1982 Schimmel D3/243
D269,646 S * 7/1983 Schaer D32/36
D289,343 S * 4/1987 Finger D3/245
D324,977 S * 3/1992 Rosson D7/607
D328,524 S * 8/1992 St. Thomas D3/243
D379,869 S * 6/1997 Formby D3/243
D445,567 S * 7/2001 Imbert D3/246
D600,010 S * 9/2009 Verhoeven D3/232
D693,573 S * 11/2013 Holefleisch D3/243
D712,654 S * 9/2014 Wang D3/243
D842,603 S * 3/2019 Johnson D3/217

OTHER PUBLICATIONS

Recycled Backpack by Eartheasy, reviewed on Jan. 13, 2016, Sep. 2022, available online at URL: https://eartheasy.com/recycled-backpack/?sku=BP2GY003&gclid=EAAlQobChMlocXch8j2-QIVC7blCh1ErQ_-EAsYBCABEgK5x_D_BwE.*

(Continued)

Primary Examiner — Jennifer L Watkins

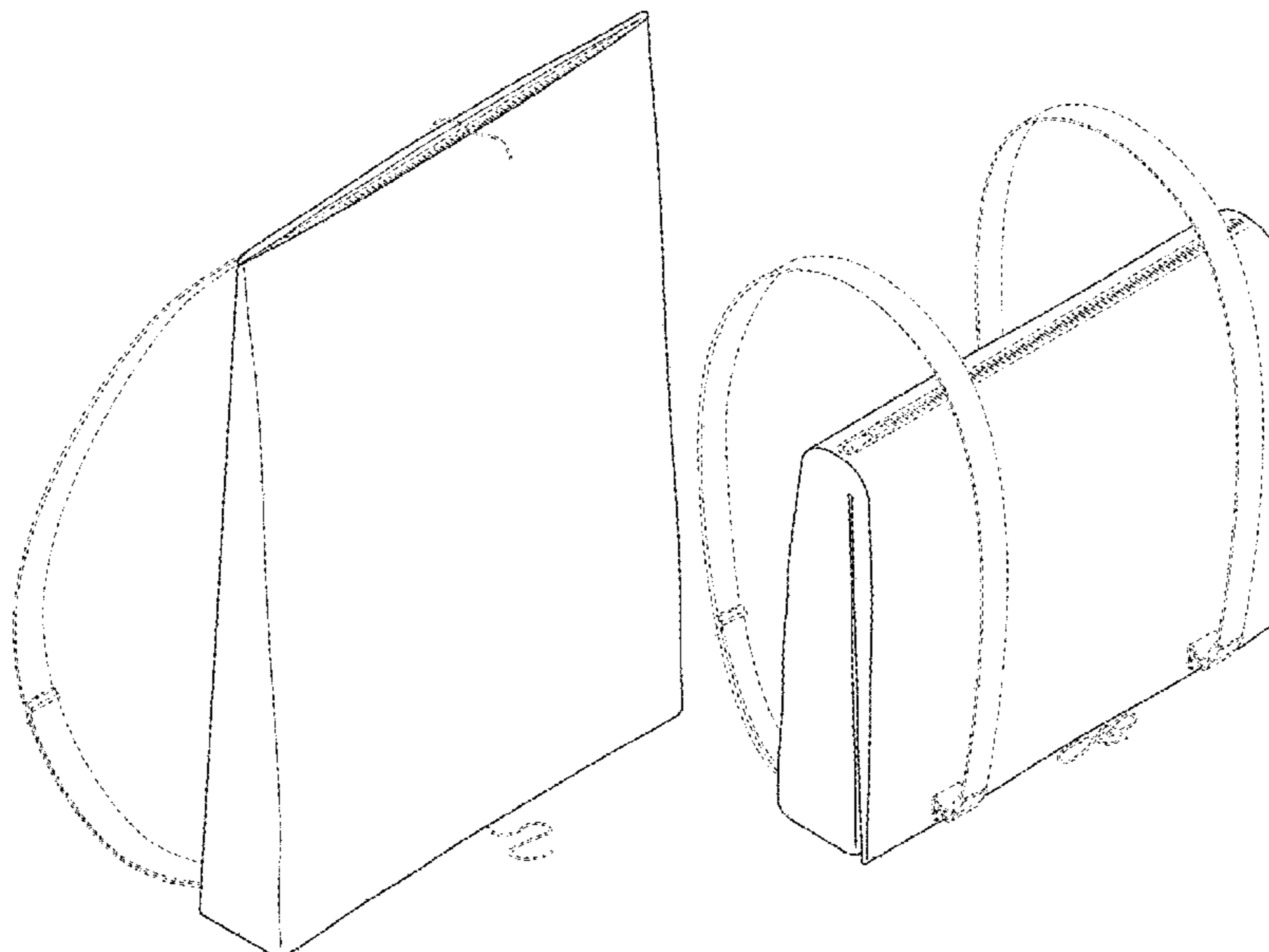
(57) **CLAIM**

The ornamental design for a backpack, as shown and described.

DESCRIPTION

2. Backpack
Fig. 2.1 is a front, top perspective view of a backpack showing the new design;
Fig. 2.2 is a left view thereof;
Fig. 2.3 is a rear, top perspective view thereof;
Fig. 2.4 is a bottom view thereof;
Fig. 2.5 is a perspective view thereof in an alternate configuration wherein the backpack is folded;
Fig. 2.6 is a left side view thereof;
Fig. 2.7 is another perspective view thereof; and
Fig. 2.8 is a bottom view thereof.
The broken lines showing straps, buckles, zipper pulls and pockets depict portions of the article and form no part of the claim. All other broken lines depict stitching and form part of the claim.

1 Claim, 8 Drawing Sheets



(56)

References Cited

OTHER PUBLICATIONS

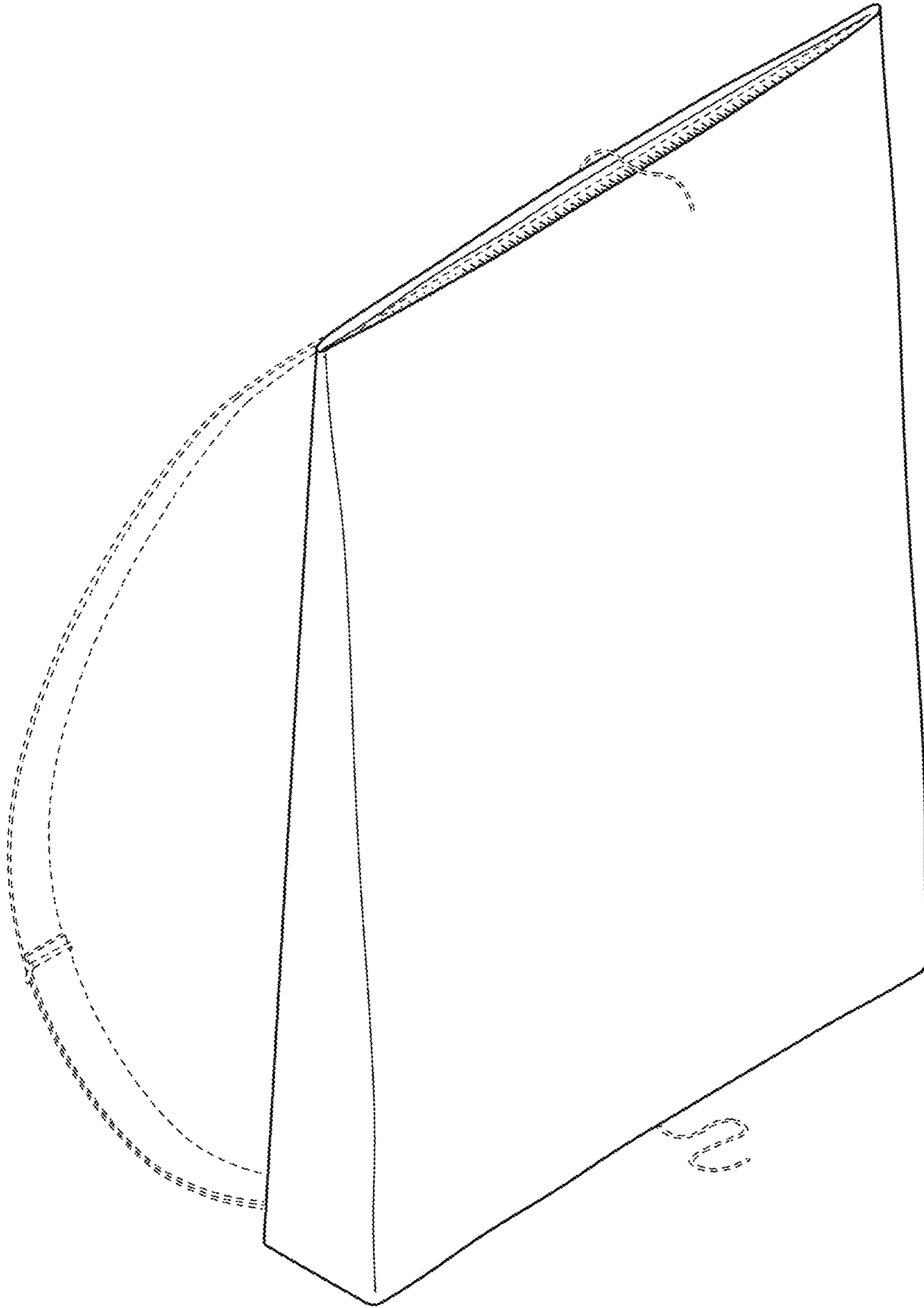
Greenpoint convertible backpack purse, reviewed on Etsy Dec. 2019, Sep. 2022, available at URL: <https://www.etsy.com/listing/477402976/convertible-backpack-purse-travel-bag>.*

Crupon Sustainable Black Rucksack Backpack, reviewed on Etsy May 2020, Sep. 2022, available at URL: https://www.etsy.com/listing/753347443/sustainable-black-rucksack-backpack?ga_order=most_relevant&ga_search_type=all&ga_view_type=gallery&ga_search_query=folds+to+backpack&ref=sc_gallery-1-4&pro=1&frs=.*

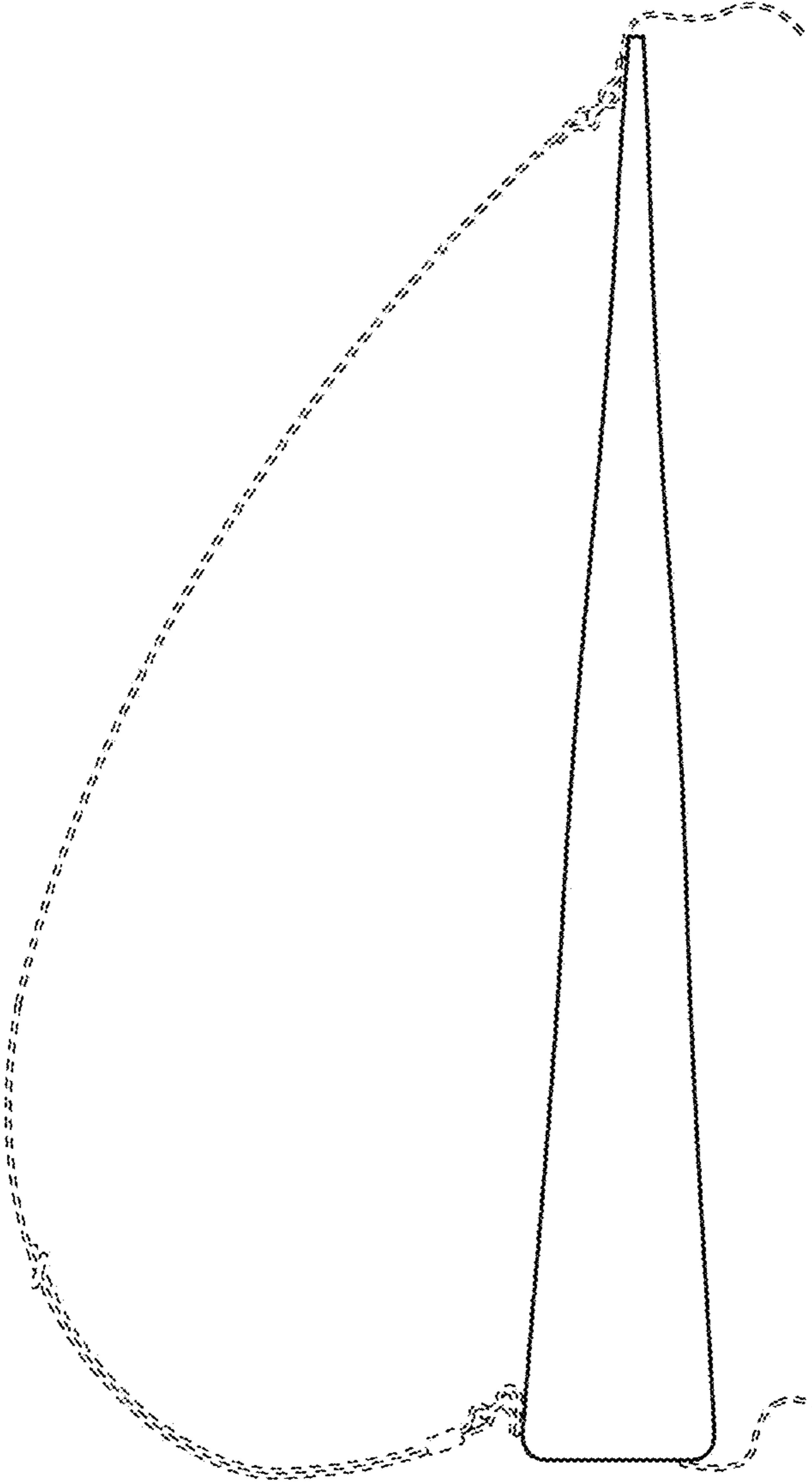
JNB Basic Patent Foldover Clutch, Amazon first release date May 5, 2019, Sep. 2022, available at URL: https://www.amazon.com/dp/B07QHKJJK9/ref=sspa_dk_detail_2?pf_rd_p=bff6e147-54ad-4be3-b4ea-ec19ea6167f7&pf_rd_r=K10MWZ3VN4MBFS04HMOVZ&pd_rd_wg=tTaZ1&pd_rd_w=iBzvw&content-id=amzn1.sym.bff6e147-54ad-4be3.*

* cited by examiner

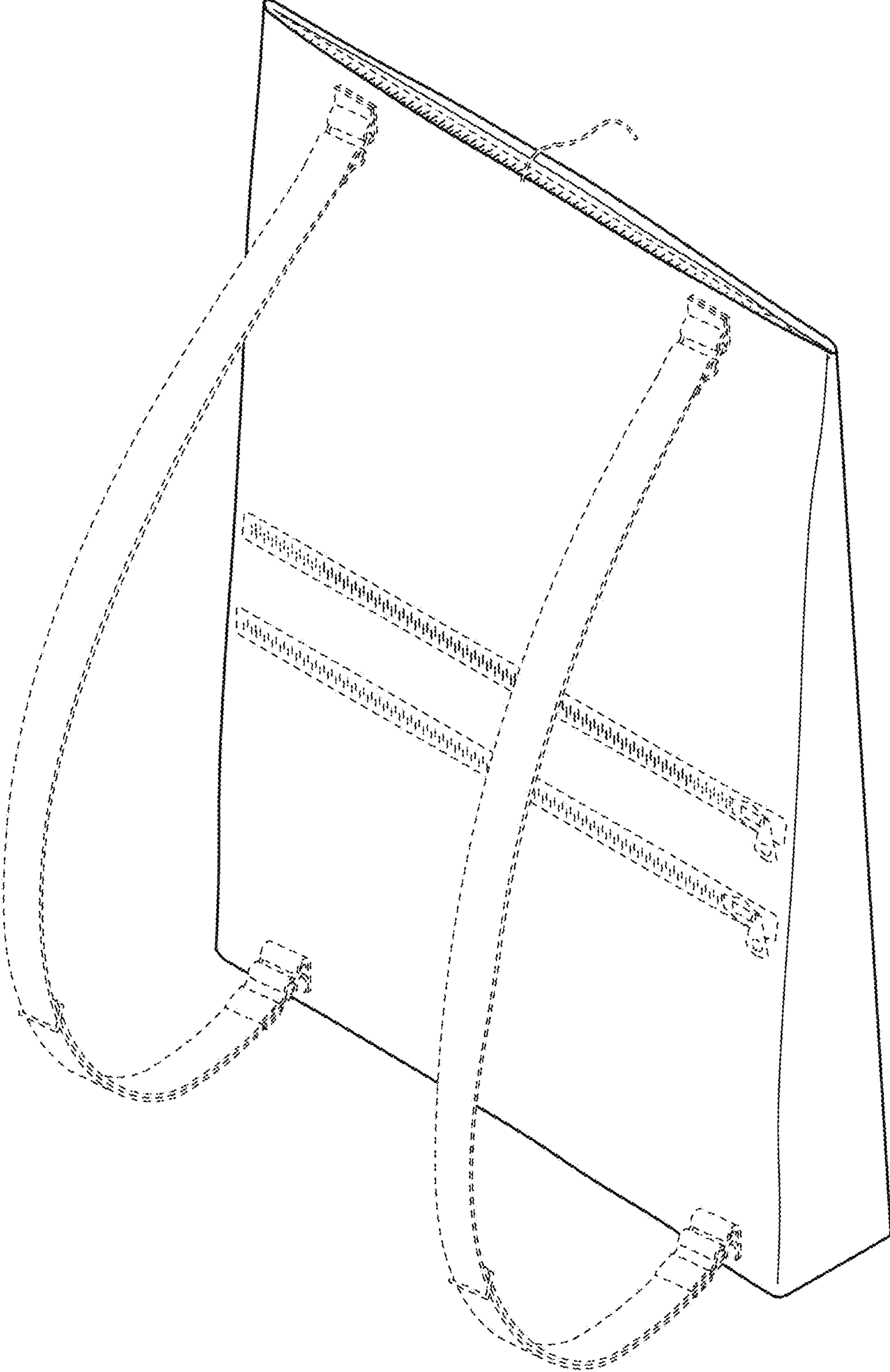
2.1



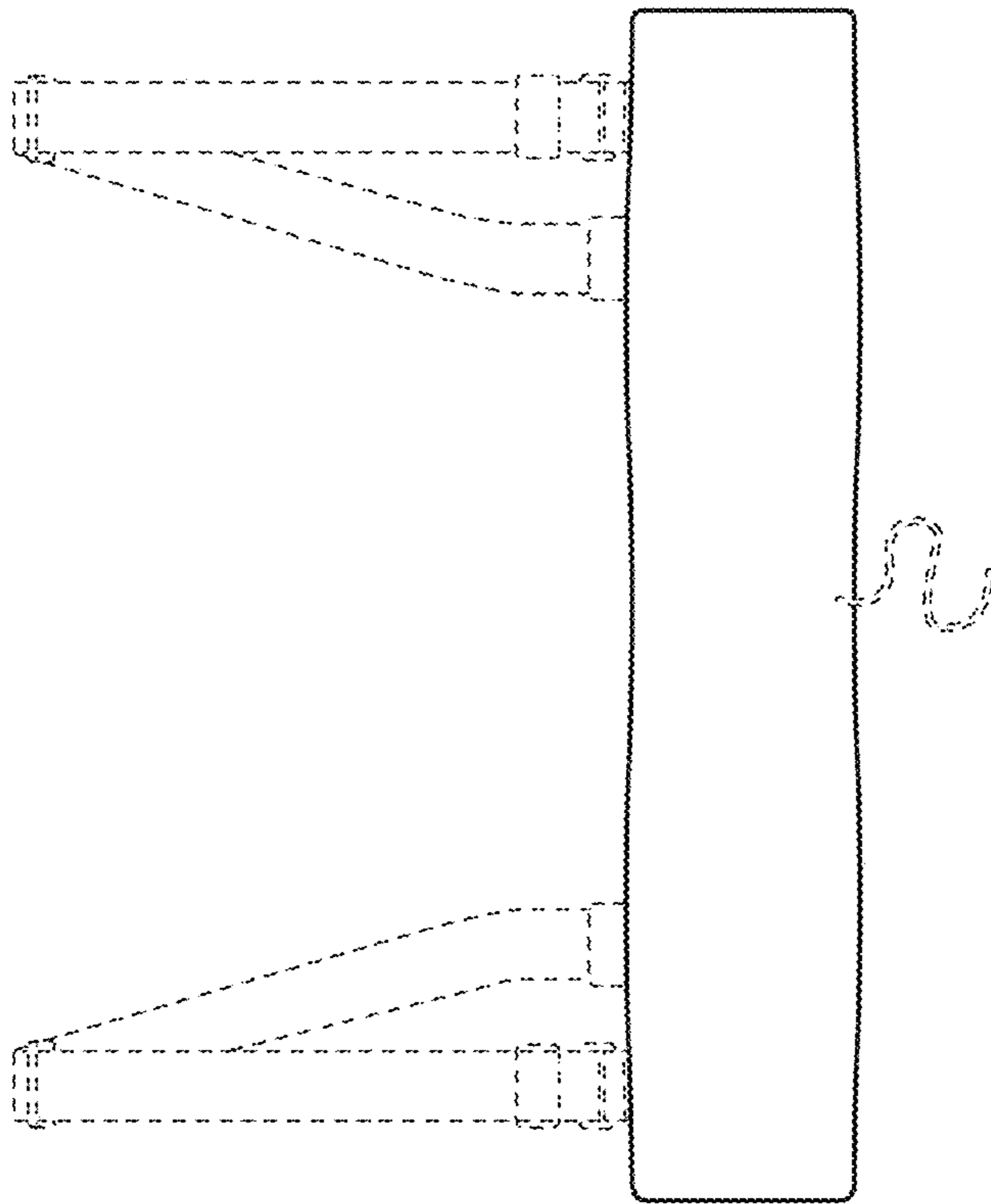
2.2



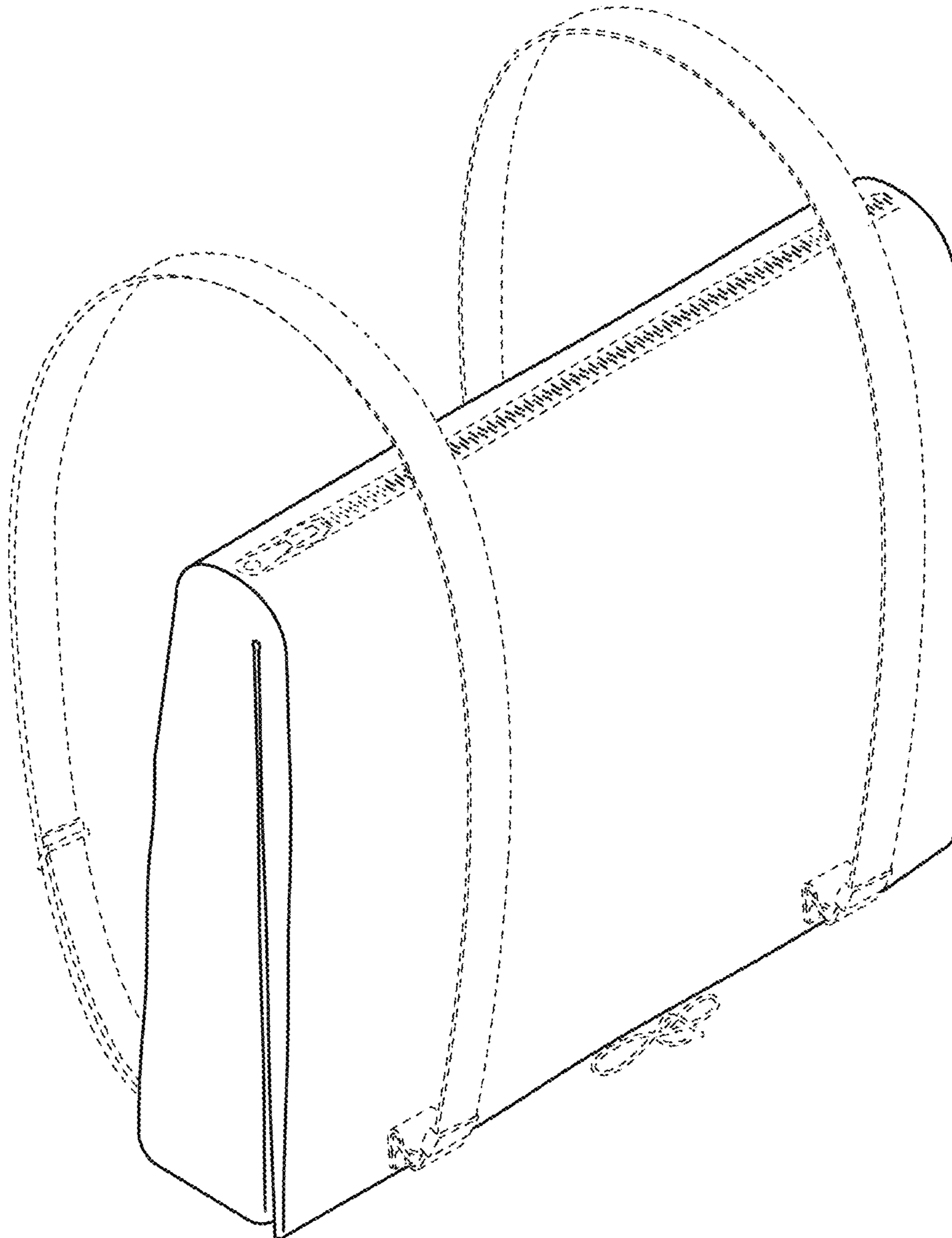
2.3



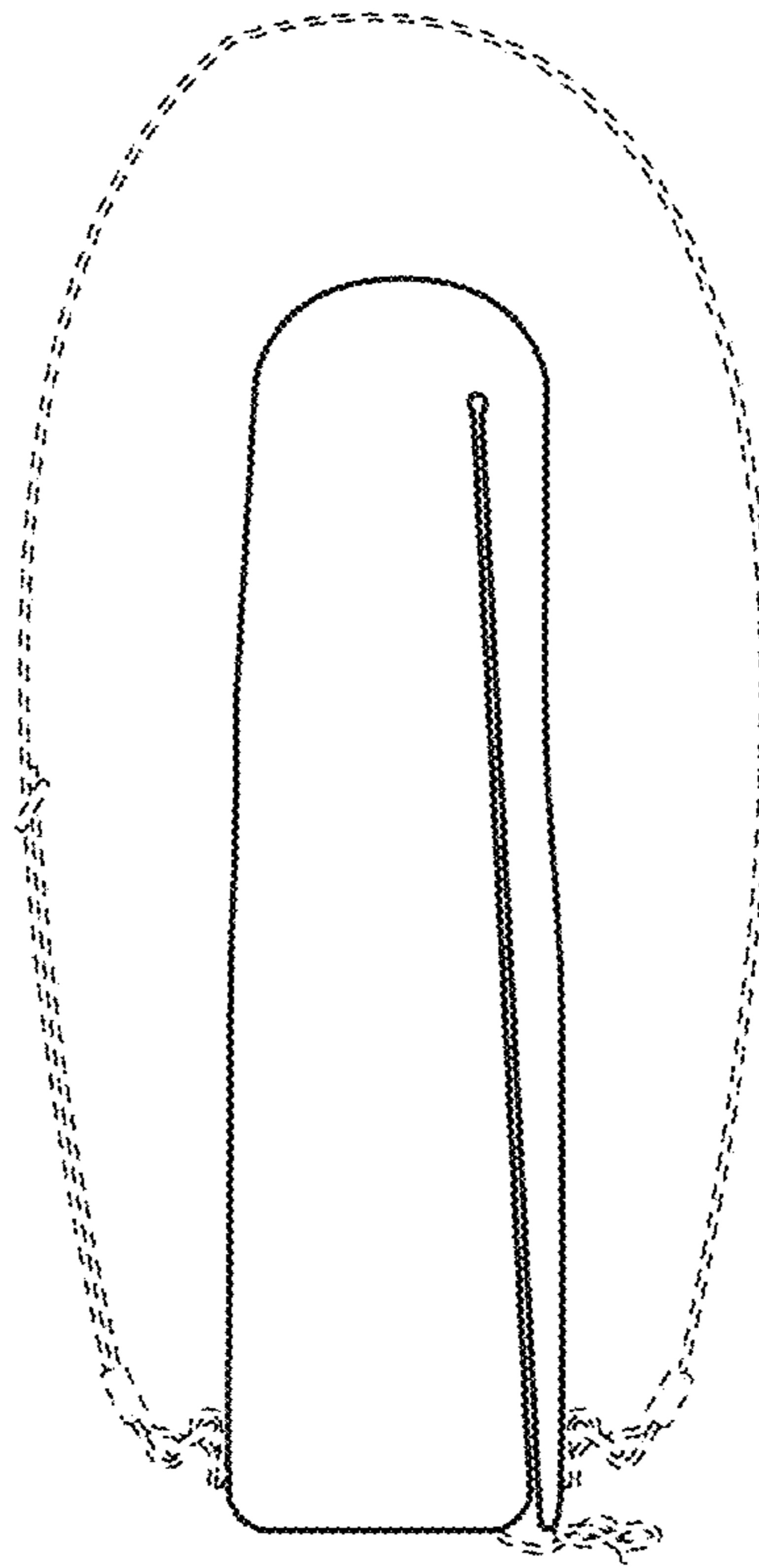
2.4



2.5



2.6



2.7

