



US00D989473S

(12) **United States Design Patent** (10) **Patent No.:** **US D989,473 S**
Young (45) **Date of Patent:** **** Jun. 20, 2023**

(54) **BABY CARRIER**

(71) Applicant: **Mary Elizabeth Young**, South Jordan, UT (US)

(72) Inventor: **Mary Elizabeth Young**, South Jordan, UT (US)

(**) Term: **15 Years**

(21) Appl. No.: **29/773,047**

(22) Filed: **Mar. 5, 2021**

Related U.S. Application Data

(63) Continuation of application No. 29/715,276, filed on Nov. 29, 2019, now Pat. No. Des. 912,394, which is a continuation of application No. 29/671,656, filed on Nov. 29, 2018, now Pat. No. Des. 876,824, which is a continuation of application No. 29/608,852, filed on Jun. 26, 2017, now Pat. No. Des. 835,902.

(51) **LOC (14) Cl.** **03-05**

(52) **U.S. Cl.**
USPC **D3/213**

(58) **Field of Classification Search**
USPC D3/213, 214, 215
CPC A47D 13/02; A47D 13/025
See application file for complete search history.

(56) **References Cited**

U.S. PATENT DOCUMENTS

5,678,739 A 10/1997 Darling et al.
D409,373 S 5/1999 Fair et al.

(Continued)

OTHER PUBLICATIONS

Oct. 17, 2016 Tradeshow, Happy Baby display by inventory Mary Elizabeth Young.

(Continued)

Primary Examiner — Steven J Czyz

(74) *Attorney, Agent, or Firm* — Dentons Durham Jones Pinegar; Sarah W. Matthews

(57) **CLAIM**

I claim the ornamental design for a baby carrier, substantially as shown and described.

DESCRIPTION

FIG. 1 is a perspective view of a baby carrier showing the new design;

FIG. 2 is a front view of a baby carrier showing the new design;

FIG. 3 is a rear view of a baby carrier showing the new design;

FIG. 4 is a left side view of a baby carrier showing the new design;

FIG. 5 is a right view of a baby carrier showing the new design;

FIG. 6 is a top view of a baby carrier showing the new design;

FIG. 7 is a bottom view of a baby carrier showing the new design;

FIG. 8 is a perspective view of the baby carrier showing the new design with the hood deployed;

FIG. 9 is a front view of the baby carrier showing the new design with the hood deployed;

FIG. 10 is a rear view of the baby carrier showing the new design with the hood deployed;

FIG. 11 is a left side view of the baby carrier showing the new design with the hood deployed;

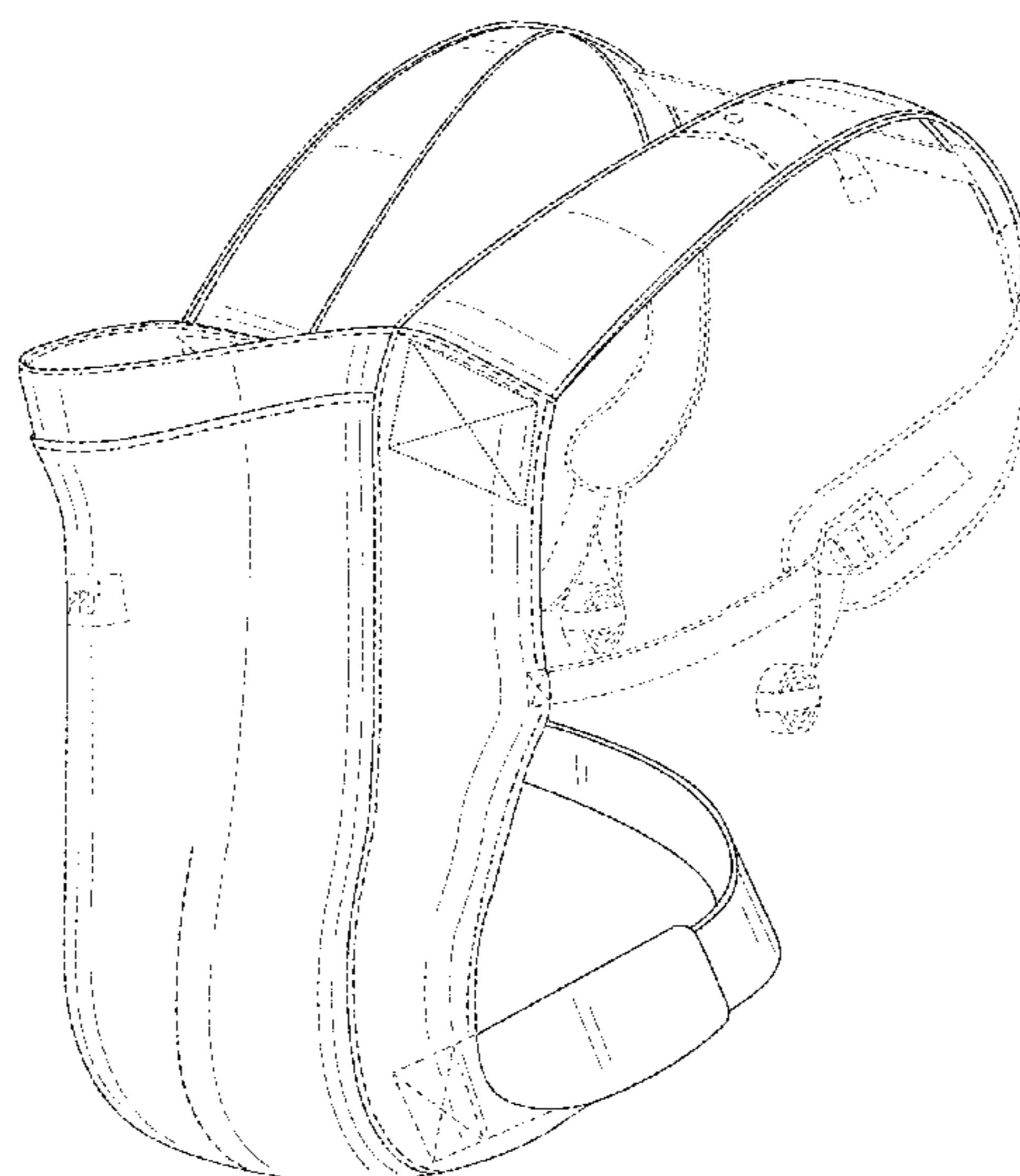
FIG. 12 is a right side view of view of the baby carrier showing the new design with the hood deployed;

FIG. 13 is a top view of the baby carrier showing the new design with the hood deployed; and,

FIG. 14 is a bottom view of the baby carrier showing the new design with the hood deployed.

The dotted lines show claimed stitching on the baby carrier. The dashed lines form no part of the claimed design.

1 Claim, 14 Drawing Sheets



(56)

References Cited

U.S. PATENT DOCUMENTS

D425,696 S 5/2000 Swanke
 D507,102 S 7/2005 Bergkvist et al.
 D507,869 S 8/2005 Liistro et al.
 D611,699 S 3/2010 Lundh
 D615,750 S 5/2010 Jones et al.
 7,766,199 B1 8/2010 Caperon
 D623,402 S 9/2010 Bergkvist
 D642,375 S 8/2011 Zack et al.
 8,028,871 B2 10/2011 Gray
 D649,345 S * 11/2011 Bergkvist D3/214
 D655,494 S * 3/2012 Murray D3/213
 D655,495 S * 3/2012 Sauer D3/214
 8,172,116 B1 5/2012 Lehan
 D664,351 S * 7/2012 Bergkvist D3/214
 D692,227 S * 10/2013 Andren D3/214
 D693,569 S 11/2013 Gunter
 8,579,168 B2 11/2013 Zack et al.
 8,701,949 B1 4/2014 Lehan et al.
 D711,090 S * 8/2014 Schroder D3/213
 D712,134 S * 9/2014 Gunter D3/214
 D714,045 S 9/2014 Stave et al.
 D733,419 S * 7/2015 Wikner D3/214
 9,185,993 B2 * 11/2015 Telford A47D 13/025
 D745,263 S * 12/2015 Tagle D3/213
 D748,907 S * 2/2016 Figler D3/214
 D753,385 S * 4/2016 Stave D3/214
 D755,508 S * 5/2016 Chuah A47D 13/02
 D3/213
 9,386,863 B1 7/2016 Antunovic
 D770,166 S * 11/2016 Figler D3/213
 D783,269 S * 4/2017 Lucas A47D 13/025
 D3/213
 D796,834 S 9/2017 Pos
 9,788,664 B2 * 10/2017 Andren A47D 13/025
 D802,912 S * 11/2017 Brodin D3/214
 D803,549 S * 11/2017 Warfaa D3/214
 9,848,713 B2 12/2017 Rosen
 D807,025 S * 1/2018 Elmberg D3/214
 D827,293 S * 9/2018 Banach D3/214
 D833,735 S * 11/2018 Häuser D3/214
 D835,902 S * 12/2018 Young D3/214
 D841,976 S * 3/2019 Tormans D3/214
 10,264,894 B2 4/2019 Gibbons
 10,271,663 B2 4/2019 Salazar et al.
 10,271,664 B2 4/2019 Yan
 D851,916 S * 6/2019 Andersson D3/214
 D856,661 S * 8/2019 Lee A47D 13/025
 D3/214
 D864,557 S * 10/2019 Sales D3/214
 10,433,656 B2 10/2019 Lundh
 D866,955 S * 11/2019 Napier A47D 13/02
 D3/214
 10,555,620 B2 2/2020 Gibbons
 D876,824 S * 3/2020 Young D3/214
 D876,825 S * 3/2020 Napier D3/214
 10,631,582 B2 4/2020 Brault
 10,653,251 B1 5/2020 Young
 10,743,678 B2 8/2020 Salazar et al.
 10,750,879 B2 8/2020 Schachtner et al.
 10,772,411 B2 9/2020 Kippen
 D912,394 S * 3/2021 Young D3/213
 D913,683 S * 3/2021 Björkenkvist D3/213
 D917,873 S * 5/2021 Napier D3/213
 D919,959 S * 5/2021 Chuah D3/213
 11,304,540 B1 * 4/2022 Rant A47D 13/025
 D955,102 S * 6/2022 Kieremo D3/214
 2005/0051582 A1 3/2005 Frost
 2005/0184114 A1 8/2005 Hoff et al.
 2005/0218168 A1 10/2005 Chua
 2008/0283560 A1 11/2008 Parness et al.
 2010/0072236 A1 3/2010 Parness et al.
 2010/0200626 A1 8/2010 Moftakhar
 2011/0089205 A1 * 4/2011 Coote A47D 13/025
 224/160

2011/0240693 A1 * 10/2011 Parness A47D 13/025
 224/160
 2011/0290831 A1 12/2011 Wang
 2012/0061429 A1 3/2012 Sauer
 2012/0187161 A1 * 7/2012 Bergkvist A47D 13/025
 224/160
 2012/0187162 A1 7/2012 Bergkvist et al.
 2014/0231472 A1 * 8/2014 Cha A47D 13/025
 224/159
 2014/0284361 A1 * 9/2014 Wang A47D 13/025
 224/159
 2015/0115003 A1 * 4/2015 Schaarschmidt A47D 13/025
 224/160
 2015/0196133 A1 * 7/2015 Rosen A47D 13/025
 224/160
 2015/0272342 A1 * 10/2015 Schaarschmidt A47D 13/025
 224/160
 2015/0282639 A1 * 10/2015 Chuah A47D 13/025
 224/160
 2016/0150893 A1 6/2016 Salazar et al.
 2016/0227940 A1 * 8/2016 Wikner A47D 13/025
 2017/0119173 A1 5/2017 Telford
 2017/0196374 A1 7/2017 Chen
 2017/0238722 A1 * 8/2017 Flaunty A47D 13/025
 2017/0332806 A1 11/2017 Liu
 2018/0084923 A1 * 3/2018 Kang A47D 13/025
 2018/0199730 A1 * 7/2018 Lundh A47D 13/025
 2019/0014920 A1 * 1/2019 Matsuyama A47D 13/025
 2019/0150634 A1 * 5/2019 Najafi A47D 13/025
 2020/0085206 A1 * 3/2020 Reid A47D 15/00
 2020/0113350 A1 * 4/2020 Warner A47D 13/02
 2020/0154905 A1 * 5/2020 Nixon A45F 3/047
 2020/0163466 A1 * 5/2020 Telford A47D 13/086
 2020/0337475 A1 * 10/2020 Musiiwa A47D 13/025
 2021/0000265 A1 * 1/2021 Chuah A47D 13/025
 2021/0137282 A1 * 5/2021 Duhaime A47D 13/025
 2021/0145189 A1 * 5/2021 Snyder A47D 13/025
 2021/0186234 A1 * 6/2021 Dolk A47D 13/025
 2021/0369002 A1 * 12/2021 Fulcher, Jr. A47D 1/06
 2022/0039561 A1 * 2/2022 Young A47D 13/025
 2022/0047095 A1 * 2/2022 Gilboa A47D 13/025

OTHER PUBLICATIONS

Babyhawk Mei tai baby carrier, available for purchase at least as early as Mar. 30, 2011.
 Beco Gemini, available at <<https://becobabycarrier.com/collections/beco-gemini>> at least as early as Jun. 24, 2016.
 Boba 2G Baby Carrier, available for purchase at least as early as Feb. 24, 2010.
 Boba 3G Baby Carrier, available for purchase at least as early as Jan. 22, 2012.
 Boba 4G Baby Carrier, available for purchase at least as early as Nov. 17, 2013.
 Boba Air, available for purchase at least as early as Jun. 26, 2014.
 CatBird Baby Mei tai baby carrier, available for purchase at least as early as Mar. 30, 2011.
 Catbird Pikkolo baby carrier, available at <https://catbirdbaby.com/products/pikkolo-soft-structured-baby-carrier?variant=1521908294>.
 Free-to-Grow Baby Carrier by Baby Tula, available at <<https://babytula.com/products/stormy-tula-free-to-grow-baby-carrier?variant=43810370378>>.
 Original Baby Carrier by Ergobaby, available at <<https://store.ergobaby.com/baby-carrier/original-collection/original-moon-stone>>.
 Tula Free-to-grow Coast baby carrier, available for purchase at least as early as Mar. 23, 2019.
 “Boba Classic 4GS Carrier, available at <<https://boba.com/collections/boba-4gs-carrier/products/boba-carrier-birds-of-a-feather>>”.
 “Connecta baby carrier, available at <https://connectacarrier.co.uk/>, at least as early as Dec. 15, 2017”.

(56)

References Cited

OTHER PUBLICATIONS

“Integra baby carrier, available at <https://integrababy.co.uk>, at least as early as Sep. 30, 2017”.

* cited by examiner

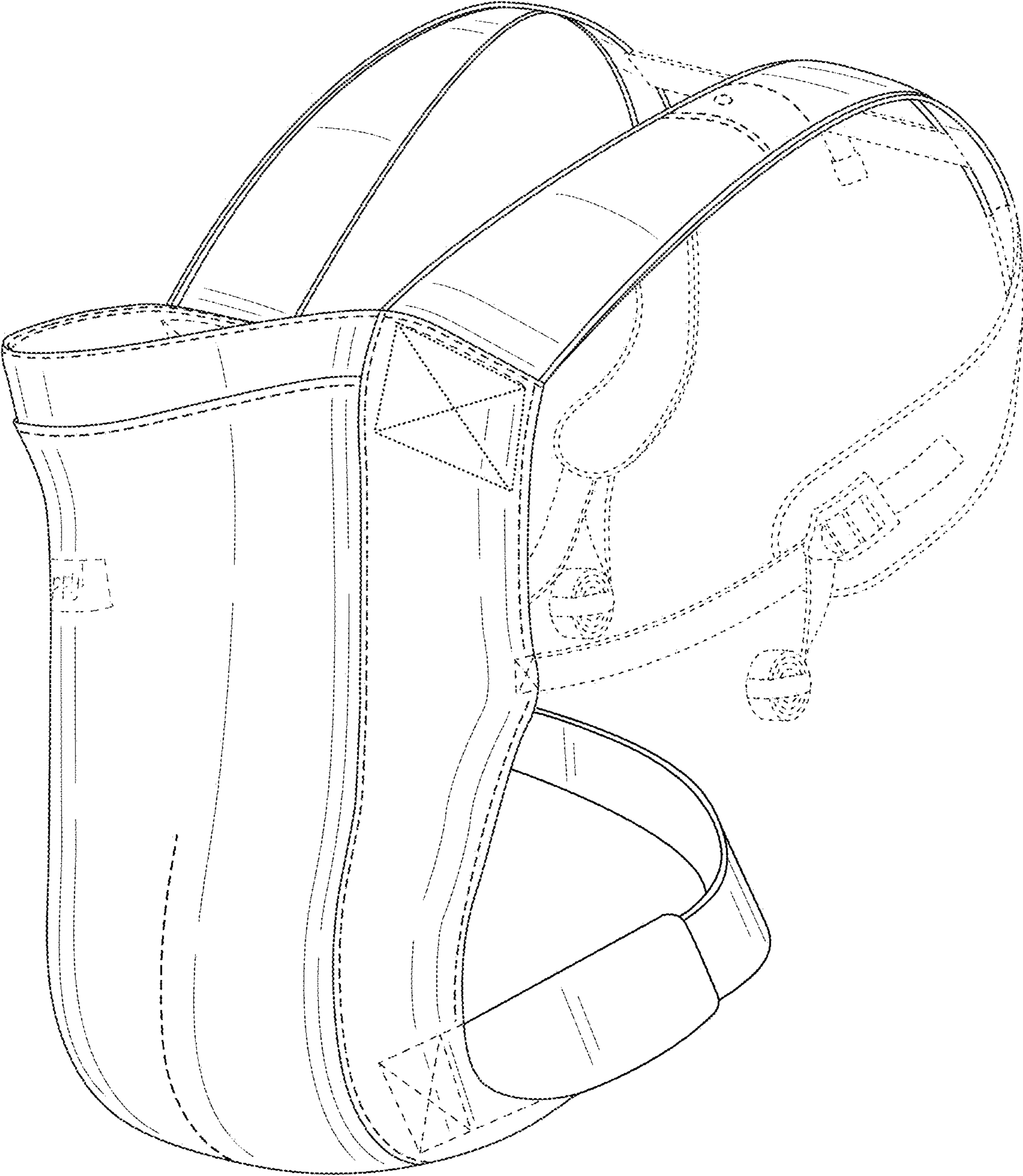


FIG. 1

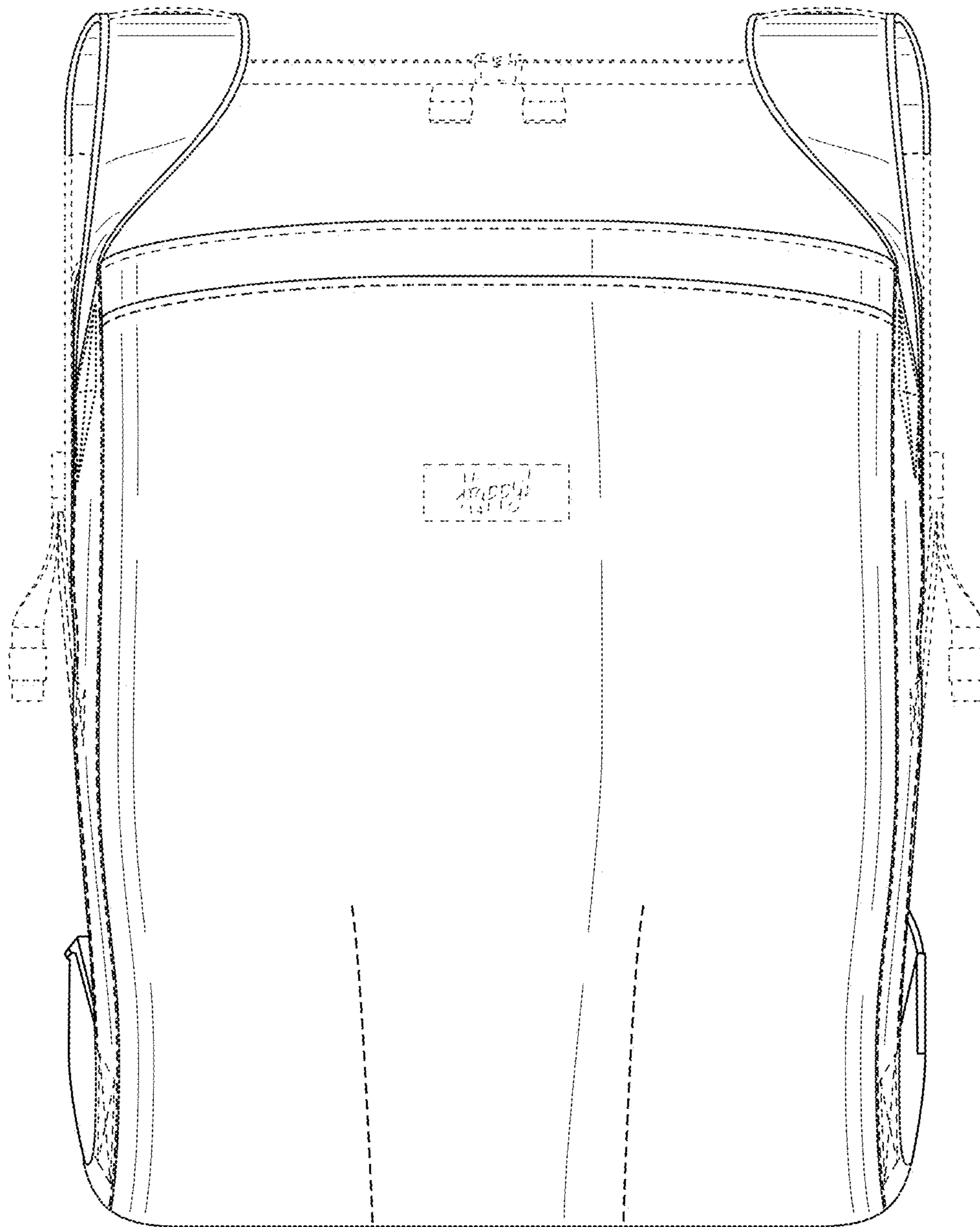


FIG. 2

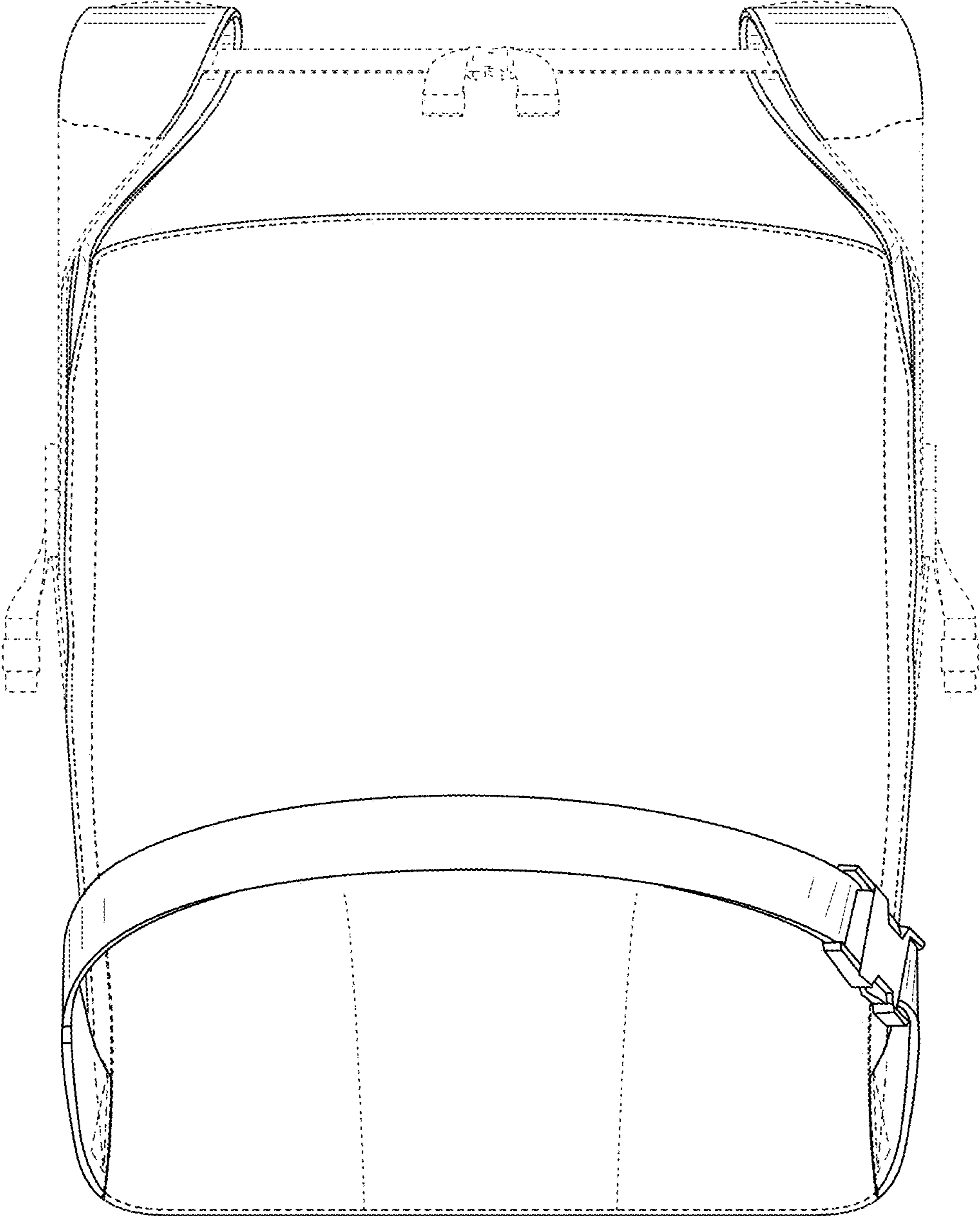


FIG. 3

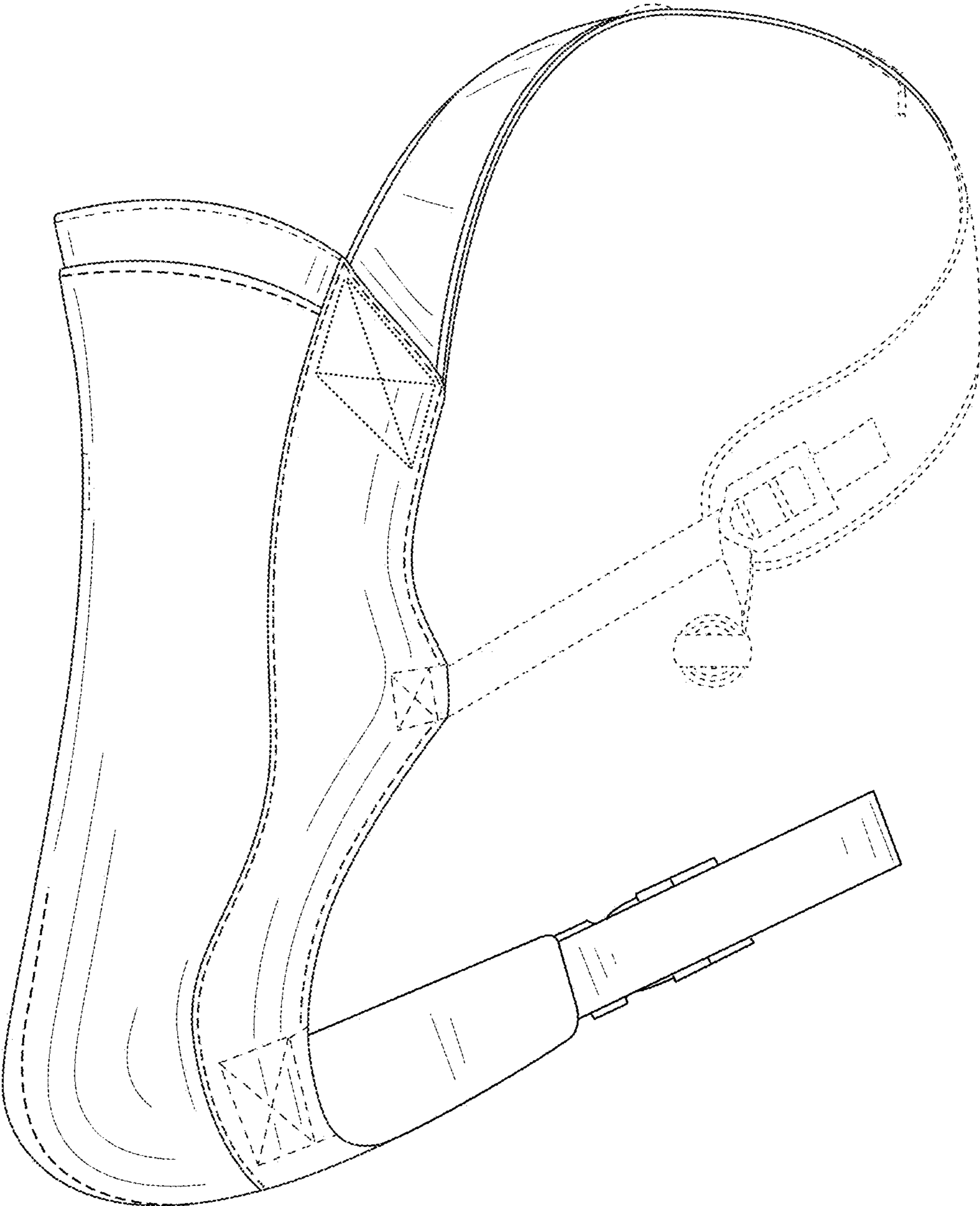


FIG. 4

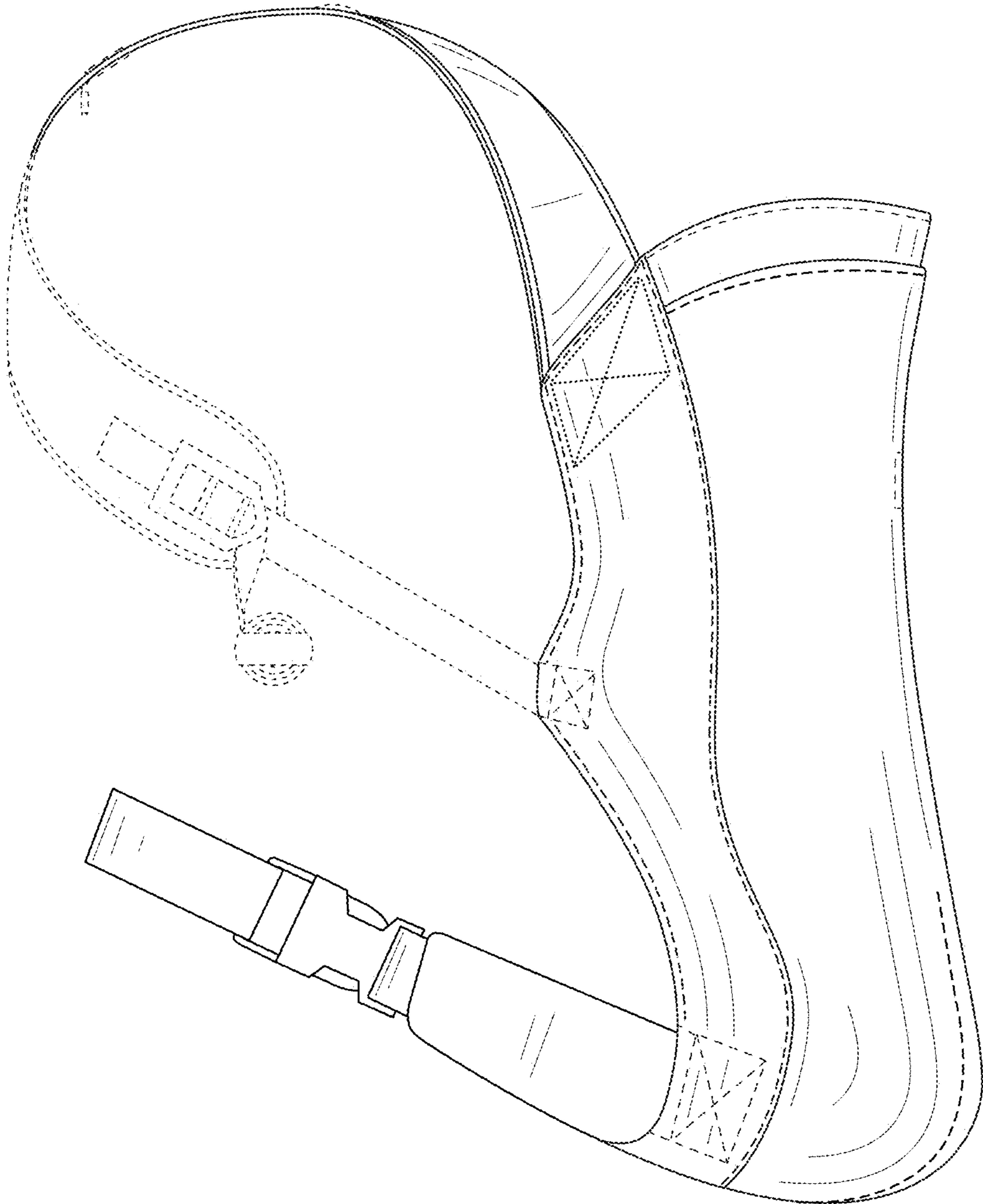


FIG. 5

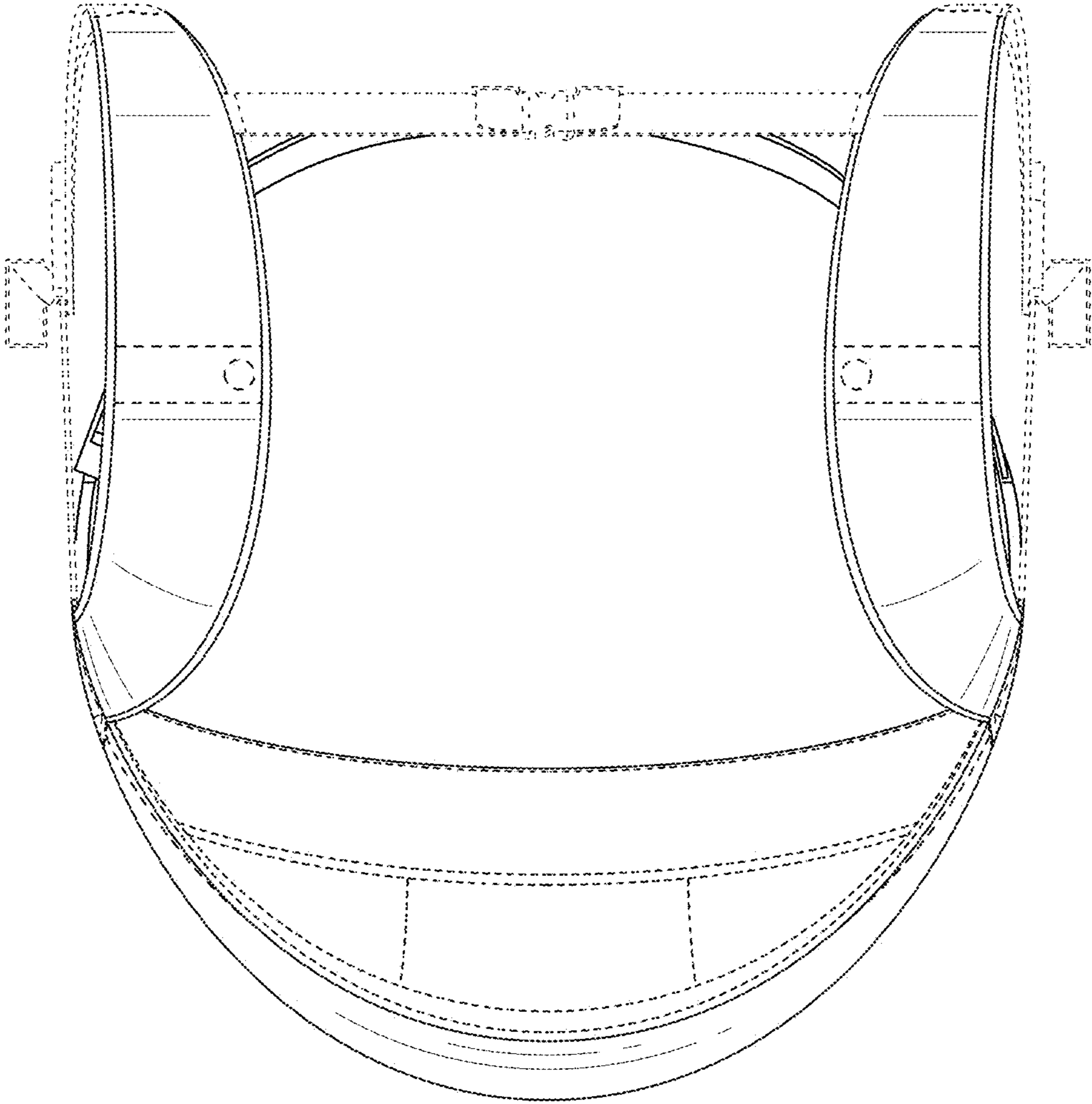


FIG. 6

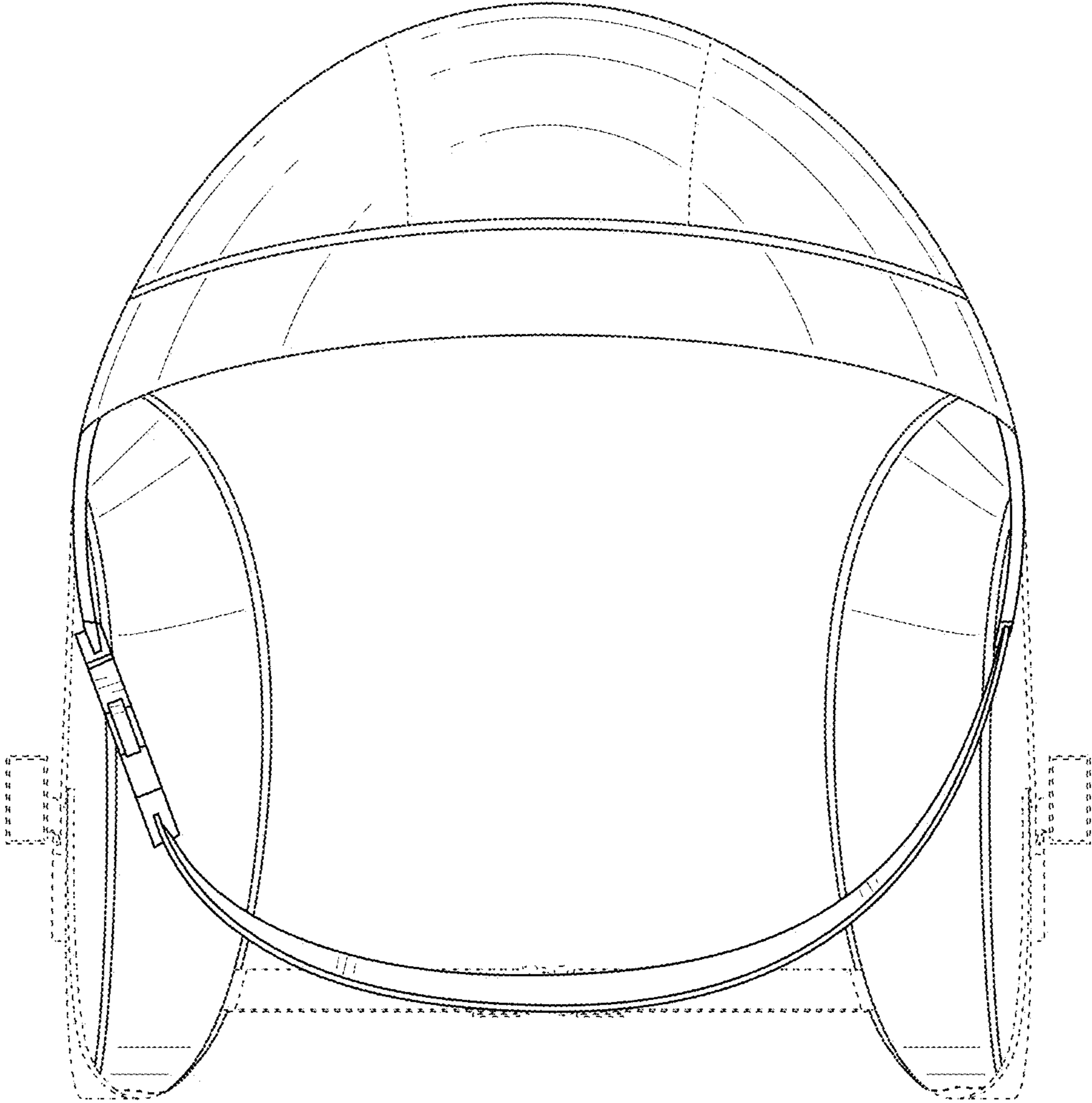


FIG. 7

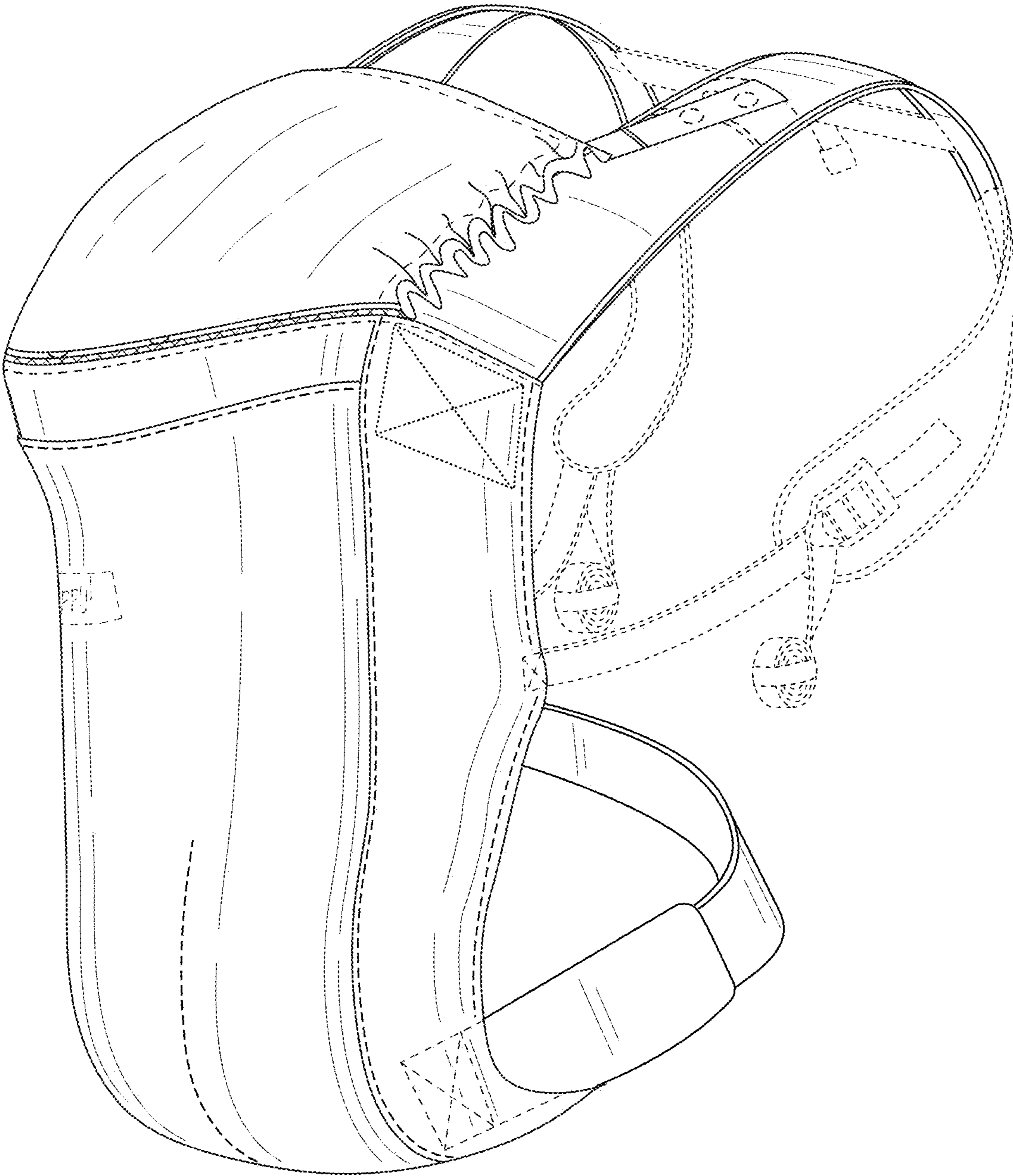


FIG. 8

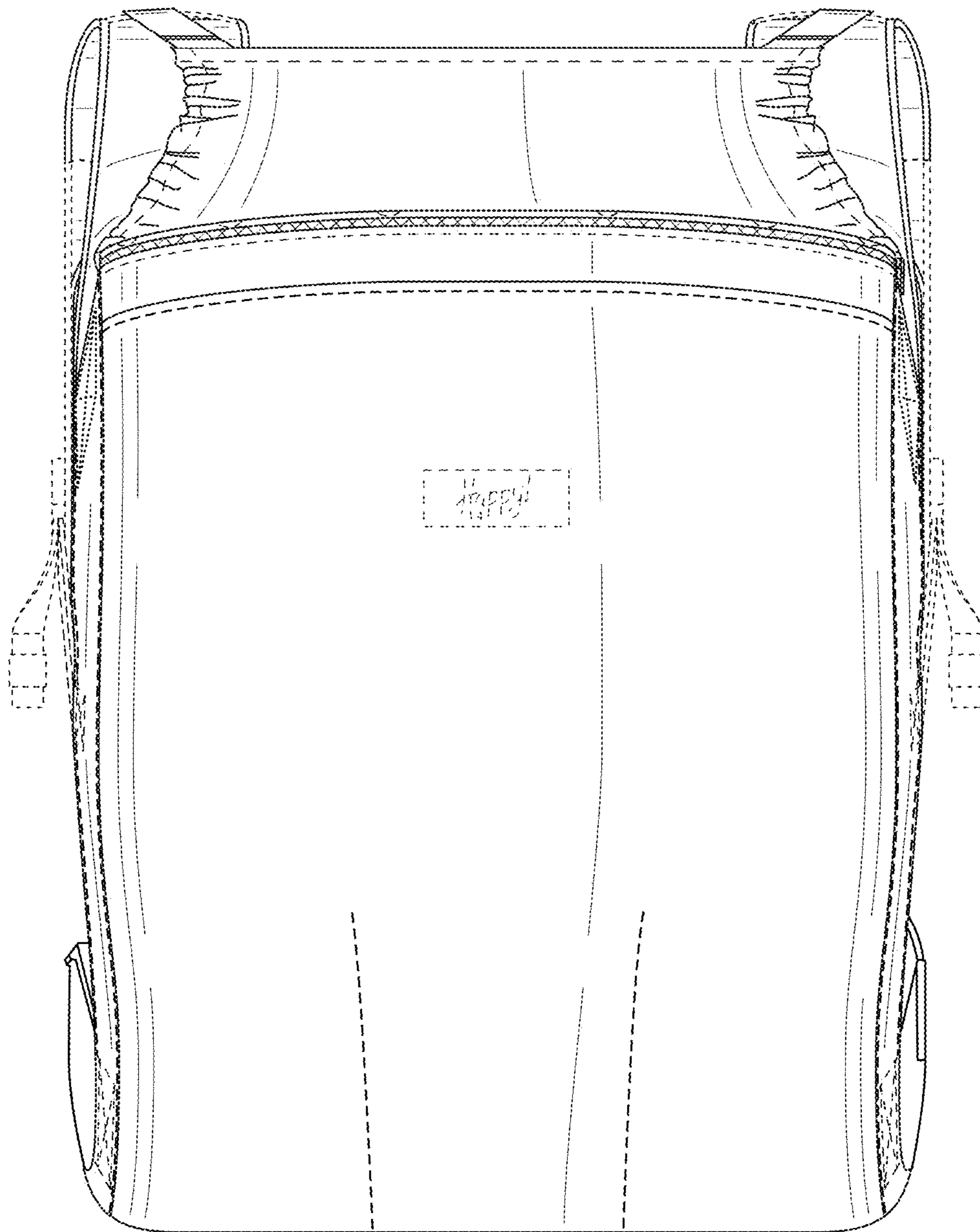


FIG. 9

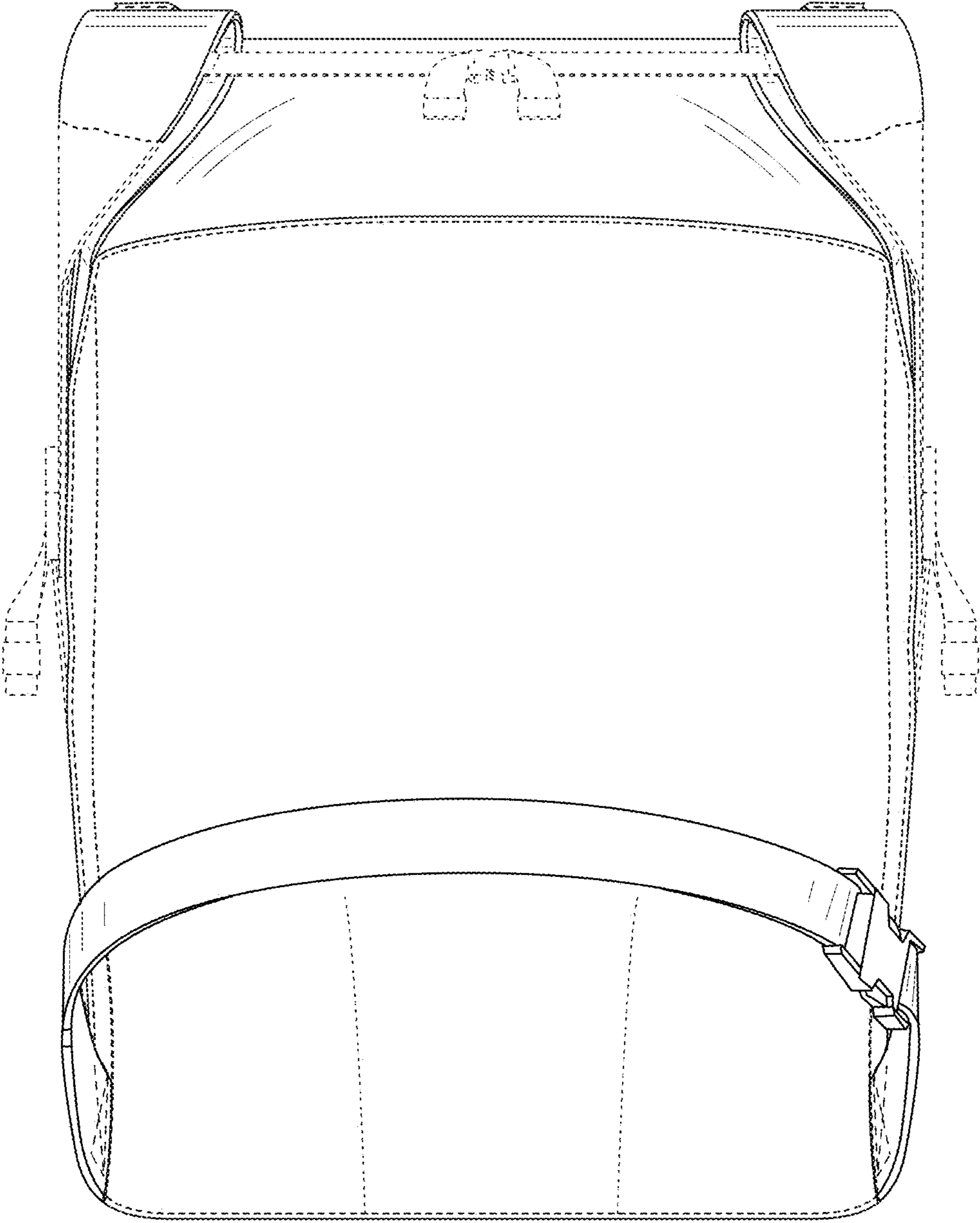


FIG. 10

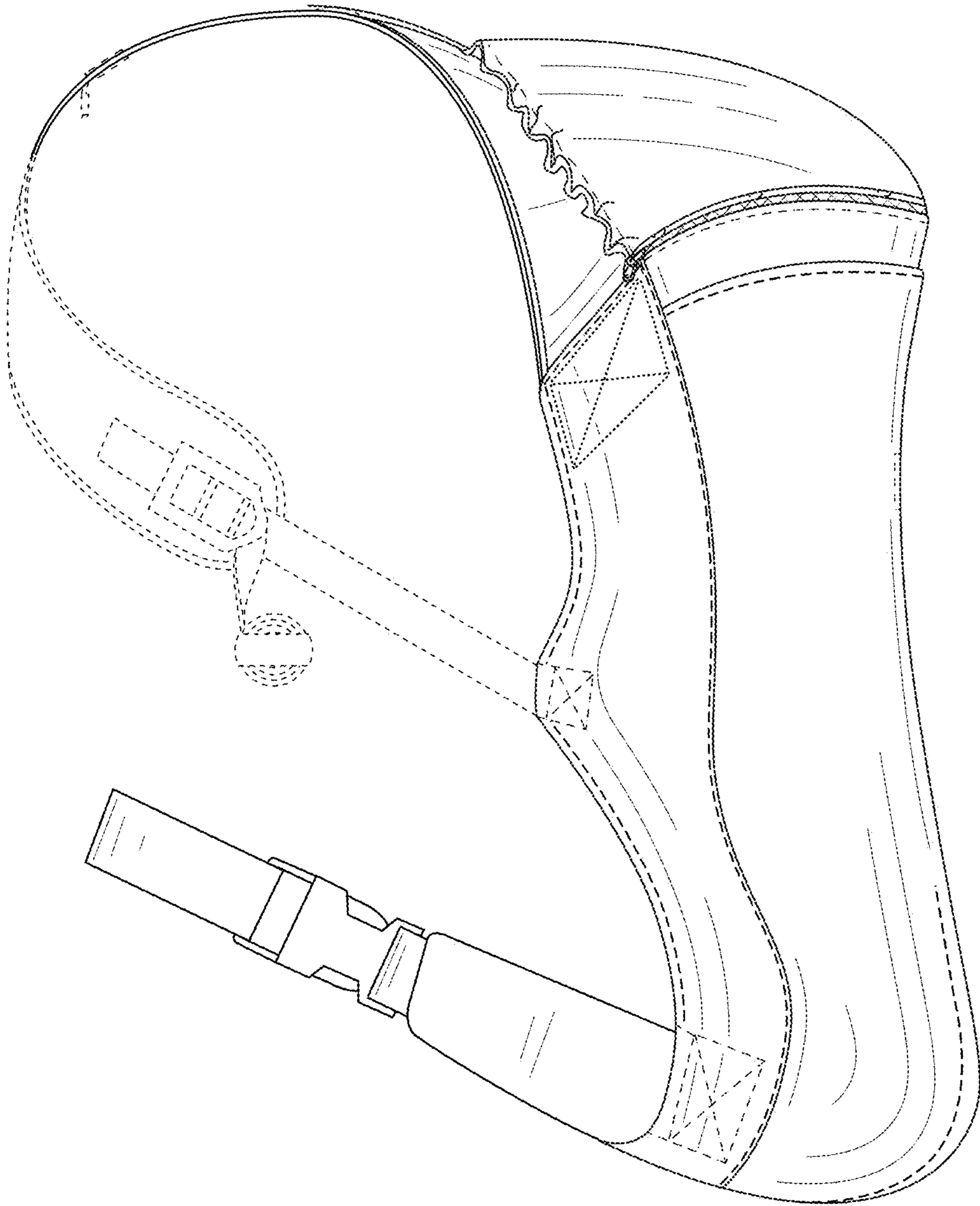


FIG. 11

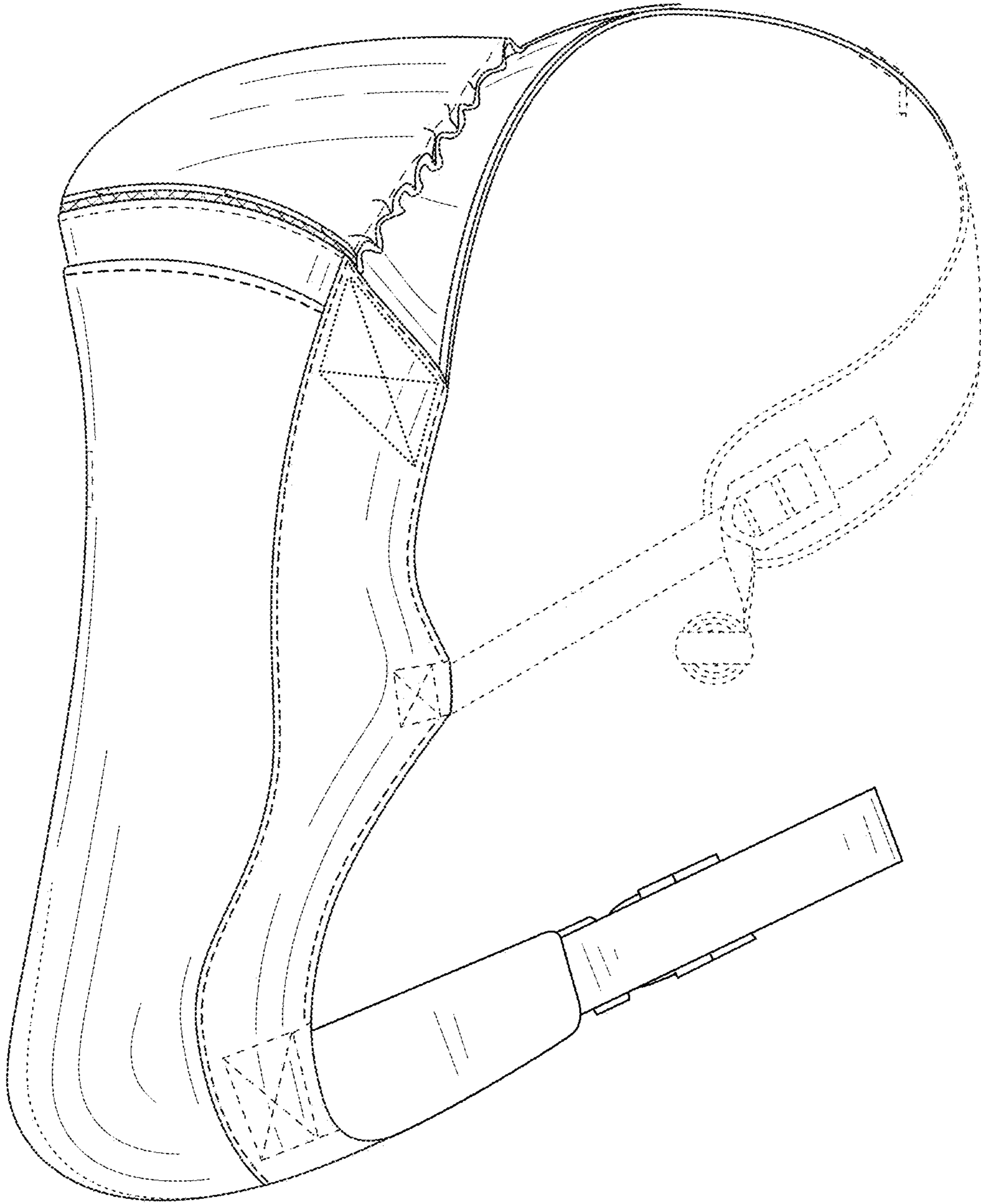


FIG. 12

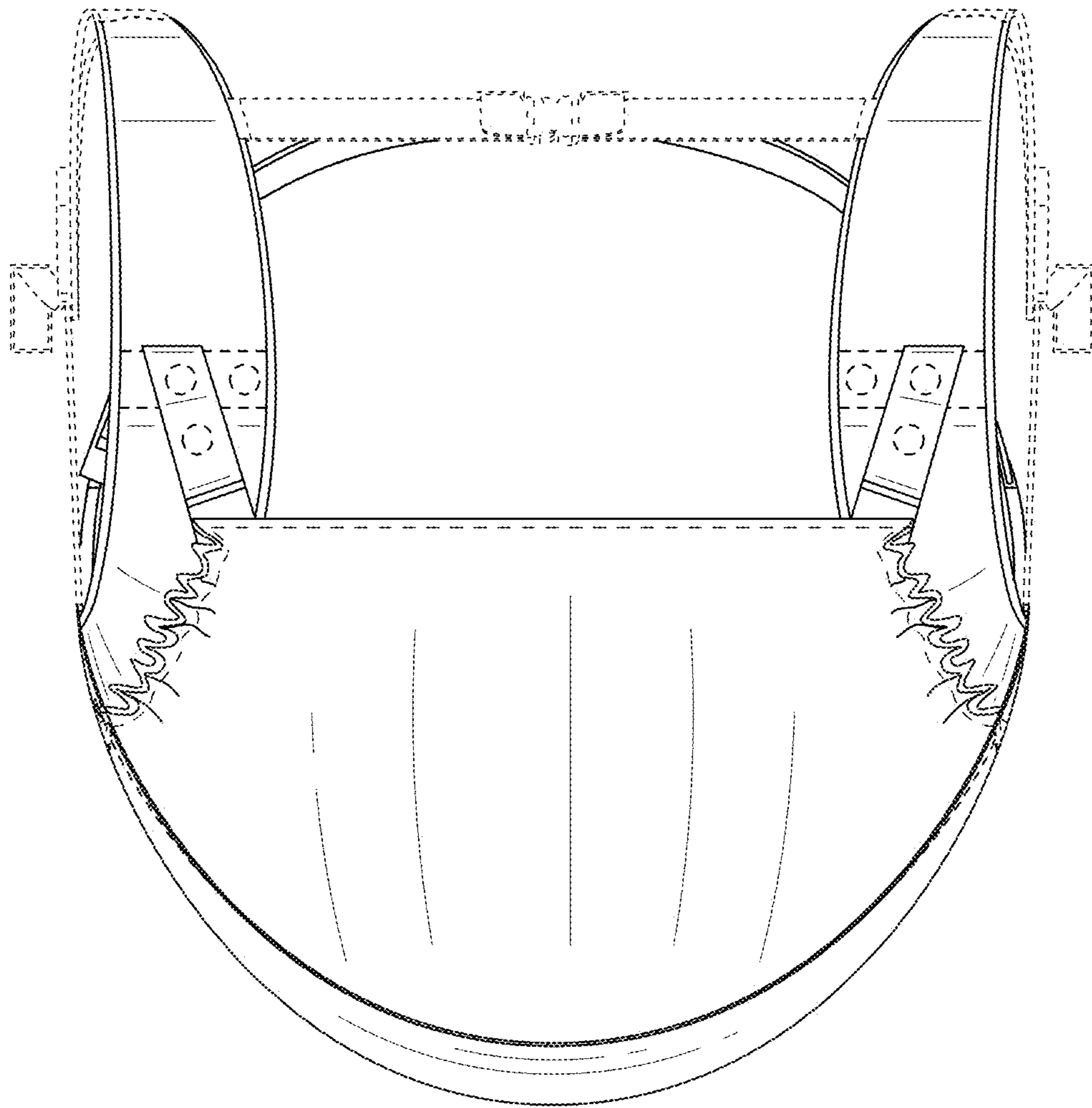


FIG. 13

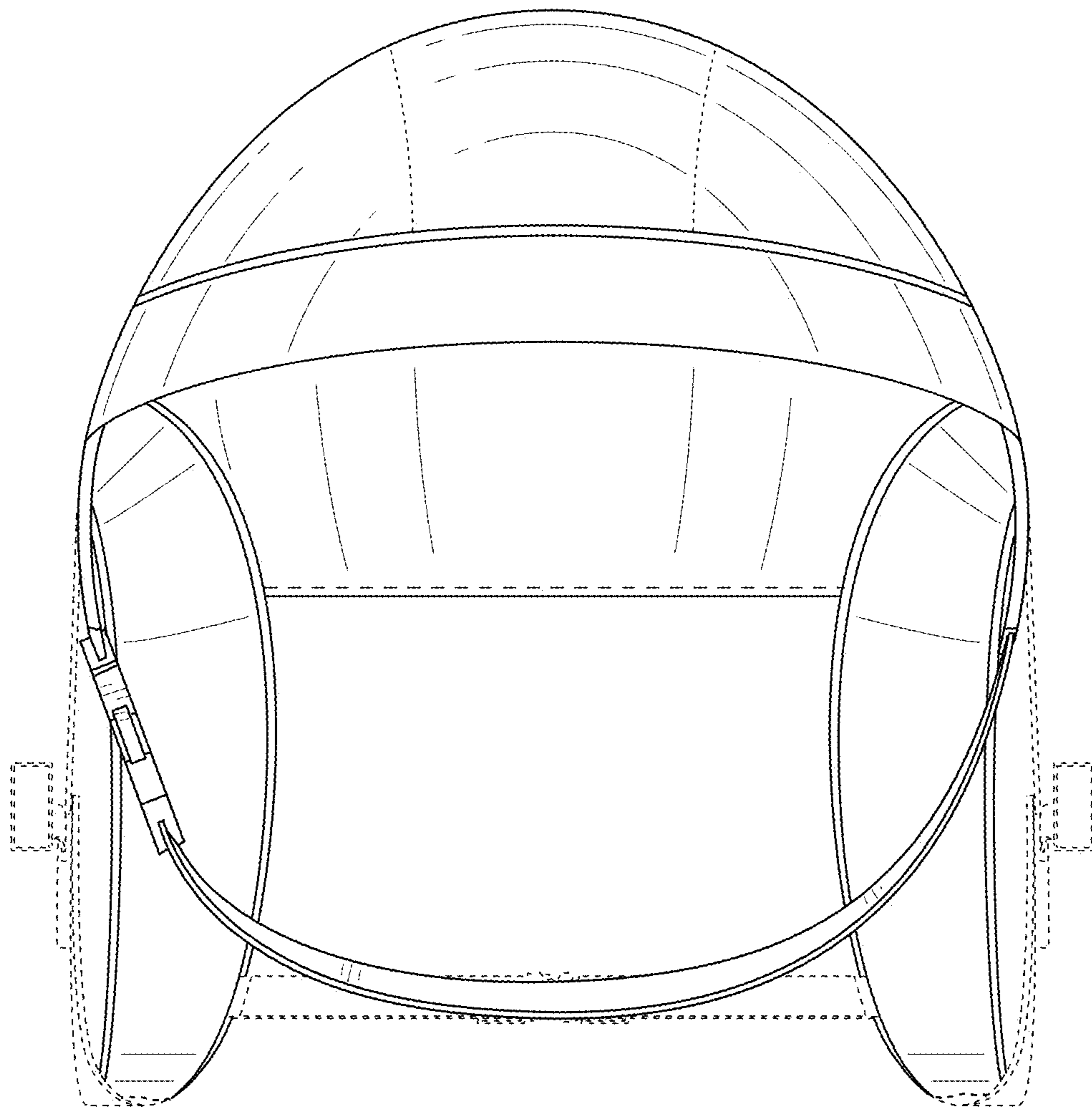


FIG. 14