



US00D989471S

(12) **United States Design Patent**  
**Lambertz**

(10) **Patent No.:** **US D989,471 S**  
(45) **Date of Patent:** **\*\* Jun. 20, 2023**

(54) **SOCK**

(71) Applicant: **X-Technology Swiss GmbH**, Wollerau  
(CH)

(72) Inventor: **Bodo Lambertz**, Wilen bei Wollerau  
(CH)

(73) Assignee: **X-Technology Swiss GmbH**, Wollerau  
(CH)

(\*\*) Term: **15 Years**

(21) Appl. No.: **29/736,745**

(22) Filed: **Jun. 2, 2020**

(30) **Foreign Application Priority Data**

Dec. 2, 2019 (WO) ..... 970036375  
Dec. 17, 2019 (WO) ..... 970038383

(51) **LOC (14) Cl.** ..... **02-04**

(52) **U.S. Cl.**  
USPC ..... **D2/980; D24/192**

(58) **Field of Classification Search**  
USPC ..... D2/980, 983, 986, 994; D24/192;  
D29/121.2  
CPC ..... A41B 11/02; A41B 11/003; A41B 11/005;  
D04B 1/26; A61F 13/08  
See application file for complete search history.

(56) **References Cited**

**U.S. PATENT DOCUMENTS**

1,144,050 A \* 6/1915 Nightingale et al. .... D04B 9/54  
66/172 R  
3,241,340 A \* 3/1966 Knohl ..... D04B 1/26  
D2/986  
D613,491 S \* 4/2010 Hollingsworth ..... D2/980  
D624,300 S \* 9/2010 Hollingsworth ..... D2/980  
D646,477 S \* 10/2011 Nii ..... D2/989  
D665,914 S \* 8/2012 Chiang ..... D24/192

D696,855 S \* 1/2014 Knauer ..... D2/980  
D774,654 S \* 12/2016 Anderson ..... D2/980  
D859,670 S \* 9/2019 Rokitta ..... D24/192  
D872,452 S \* 1/2020 Durisch ..... D24/192  
D872,454 S \* 1/2020 Durisch ..... D24/192  
D872,456 S \* 1/2020 Durisch ..... D24/192  
D872,457 S \* 1/2020 Durisch ..... D24/192  
D873,552 S \* 1/2020 Lin ..... D2/980  
D884,910 S \* 5/2020 Schiaparelli ..... D24/192  
D905,257 S \* 12/2020 Harmon ..... D24/192  
D947,392 S \* 3/2022 Hu ..... D24/192

(Continued)

**FOREIGN PATENT DOCUMENTS**

CN 303458752 \* 4/2015  
JP D1620527 \* 11/2018

**OTHER PUBLICATIONS**

Xbionic, "X Socks Stability Solutions," Posted on YouTube Oct. 31, 2019, viewed Oct. 14, 2022, available at URL: <https://www.youtube.com/watch?v=ysm6wixj1us>.\*

(Continued)

*Primary Examiner* — Jennifer L Watkins

(74) *Attorney, Agent, or Firm* — Paul D. Bianco; Fleit  
Intellectual Property Law

(57) **CLAIM**

The ornamental design for a sock, as shown and described.

**DESCRIPTION**

FIG. 1 is a back view of a sock according to the present invention.

FIG. 2 is a bottom view of the sock of FIG. 1.

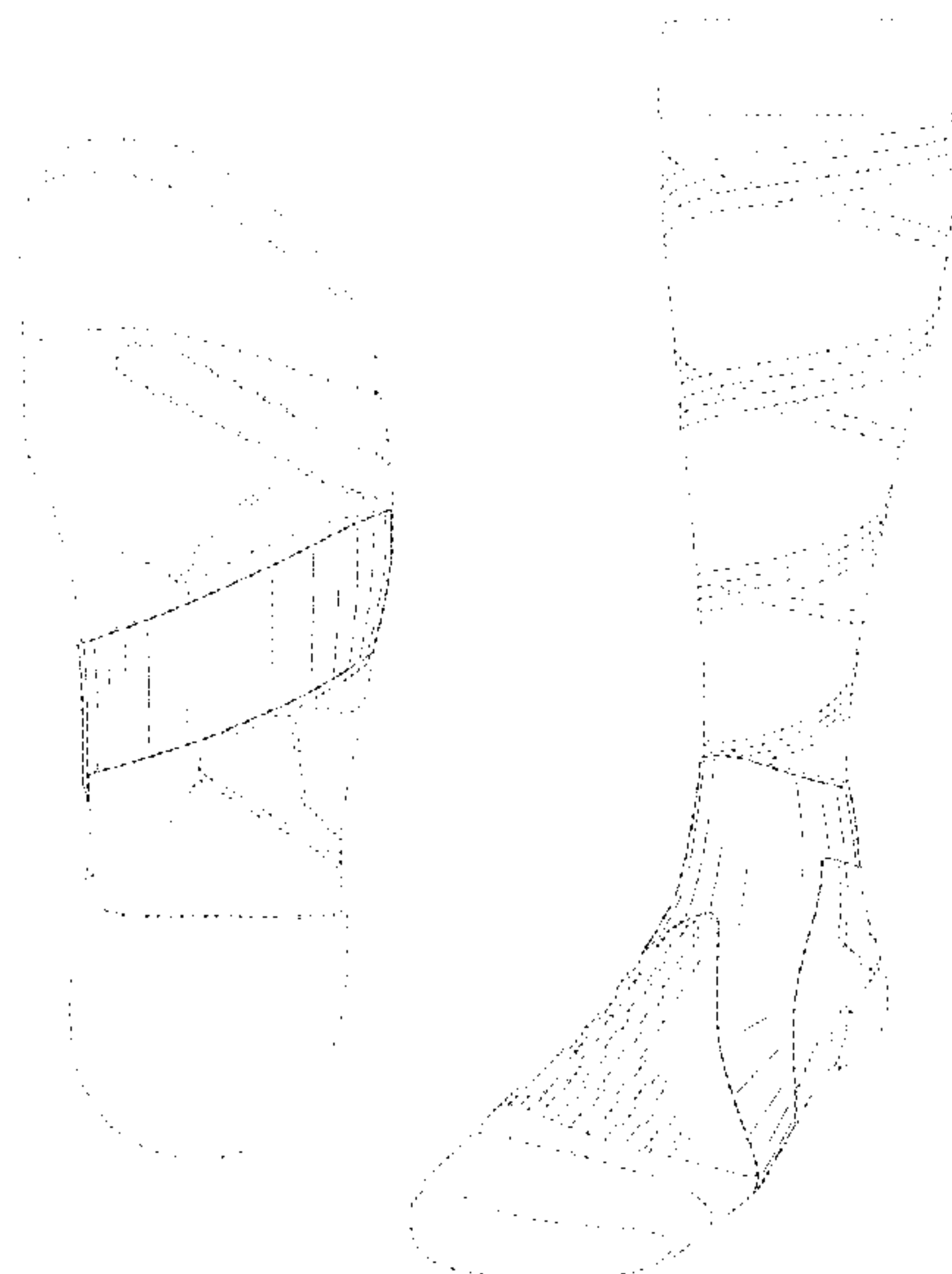
FIG. 3 is a perspective view of the sock of FIG. 1.

FIG. 4 is a first side view of the sock of FIG. 1; and,

FIG. 5 is a second side view of the sock of FIG. 1.

The broken lines in the drawings depict portions of a sock and form no part of the claimed invention.

**1 Claim, 5 Drawing Sheets**



(56)

**References Cited**

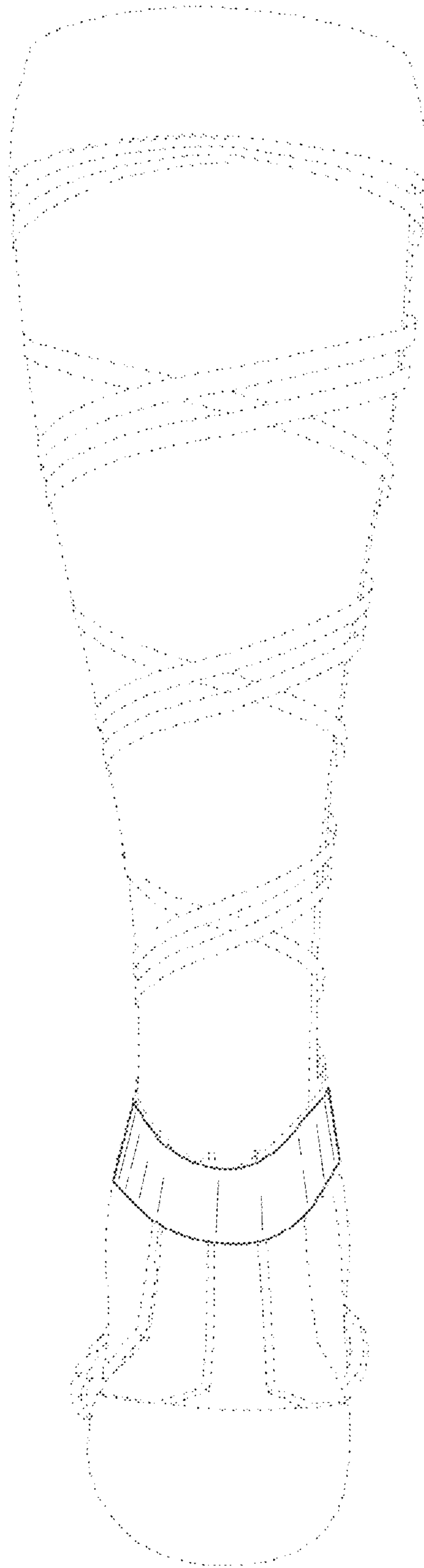
U.S. PATENT DOCUMENTS

2008/0155731 A1\* 7/2008 Kasahara ..... D04B 1/265  
2/241  
2021/0123171 A1\* 4/2021 Hendrix ..... A41B 11/02  
2022/0047005 A1\* 2/2022 Arciuolo ..... A41B 11/14

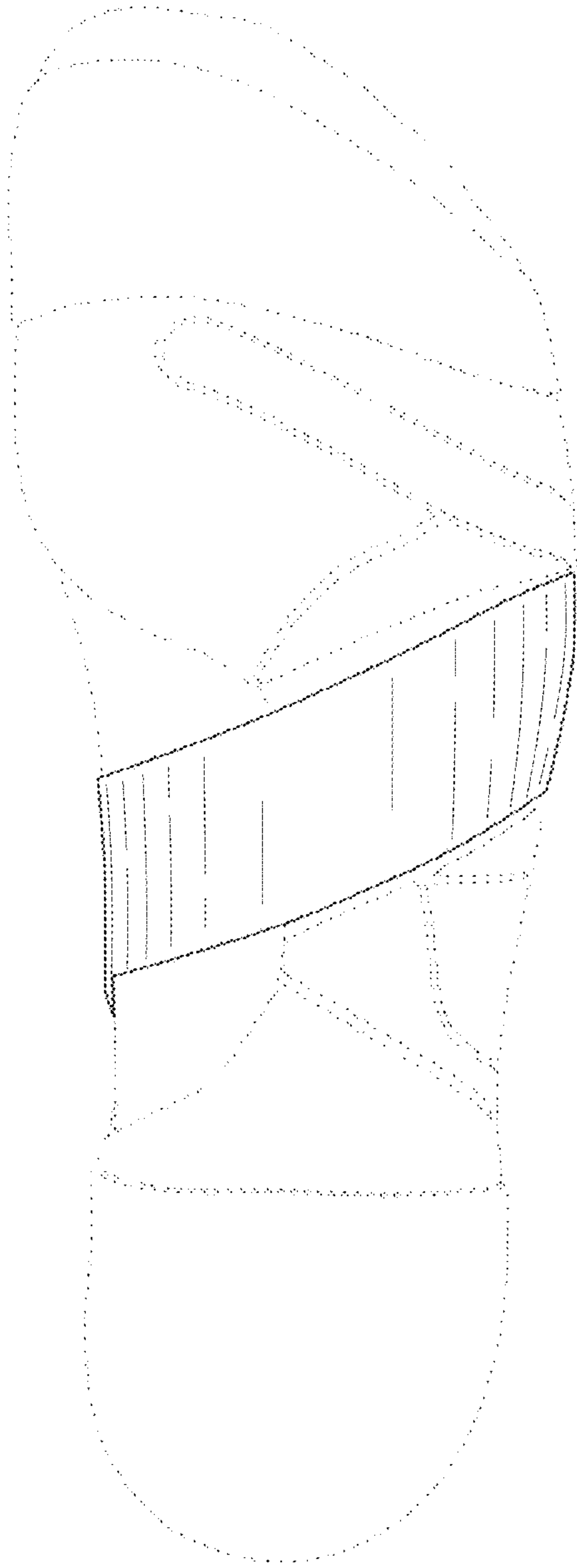
OTHER PUBLICATIONS

Xbionic, "Why You Really Need X-Socks HeliXcoil Technology to Enhance Your Sporting Performance," Posted on YouTube Jul. 12, 2019, viewed Oct. 14, 2022, Available at URL: <https://www.youtube.com/watch?v=zKyebSyZueQ>.\*

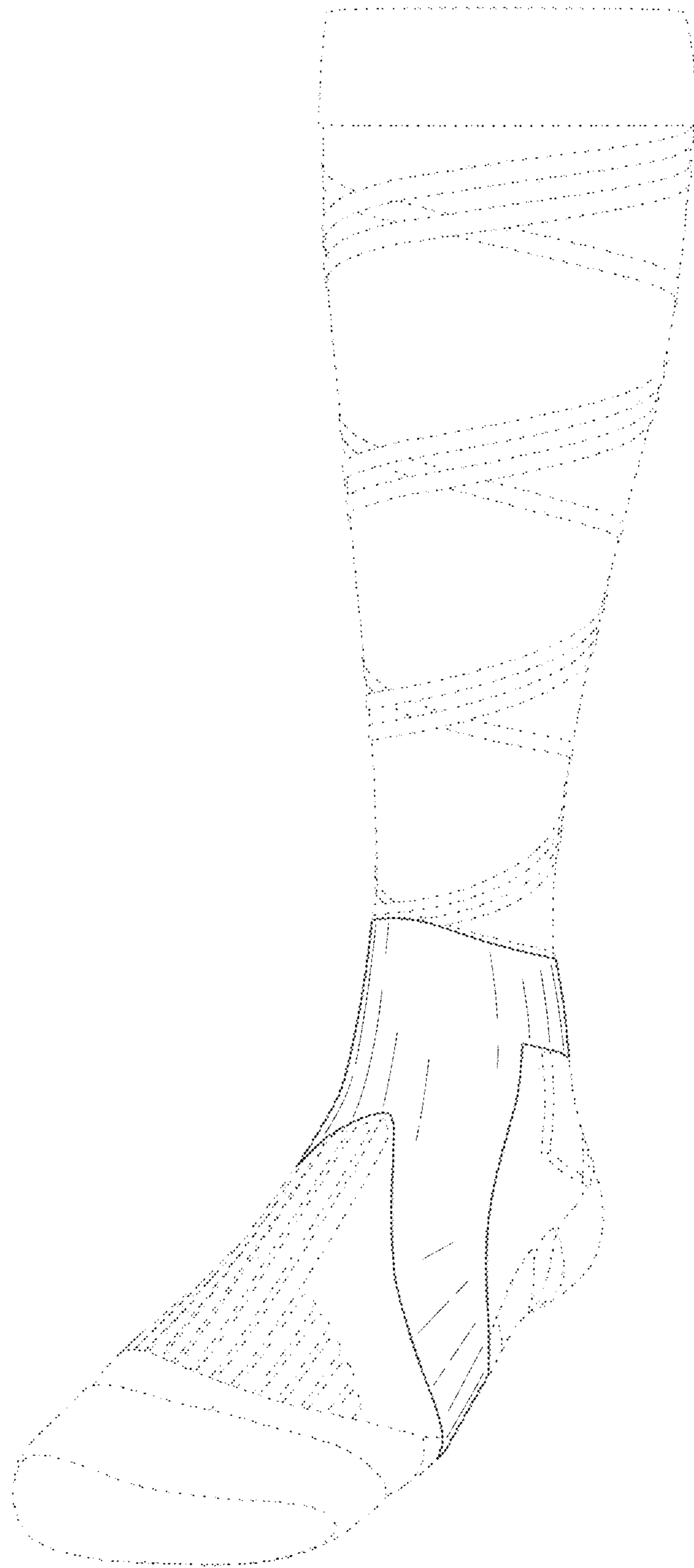
\* cited by examiner



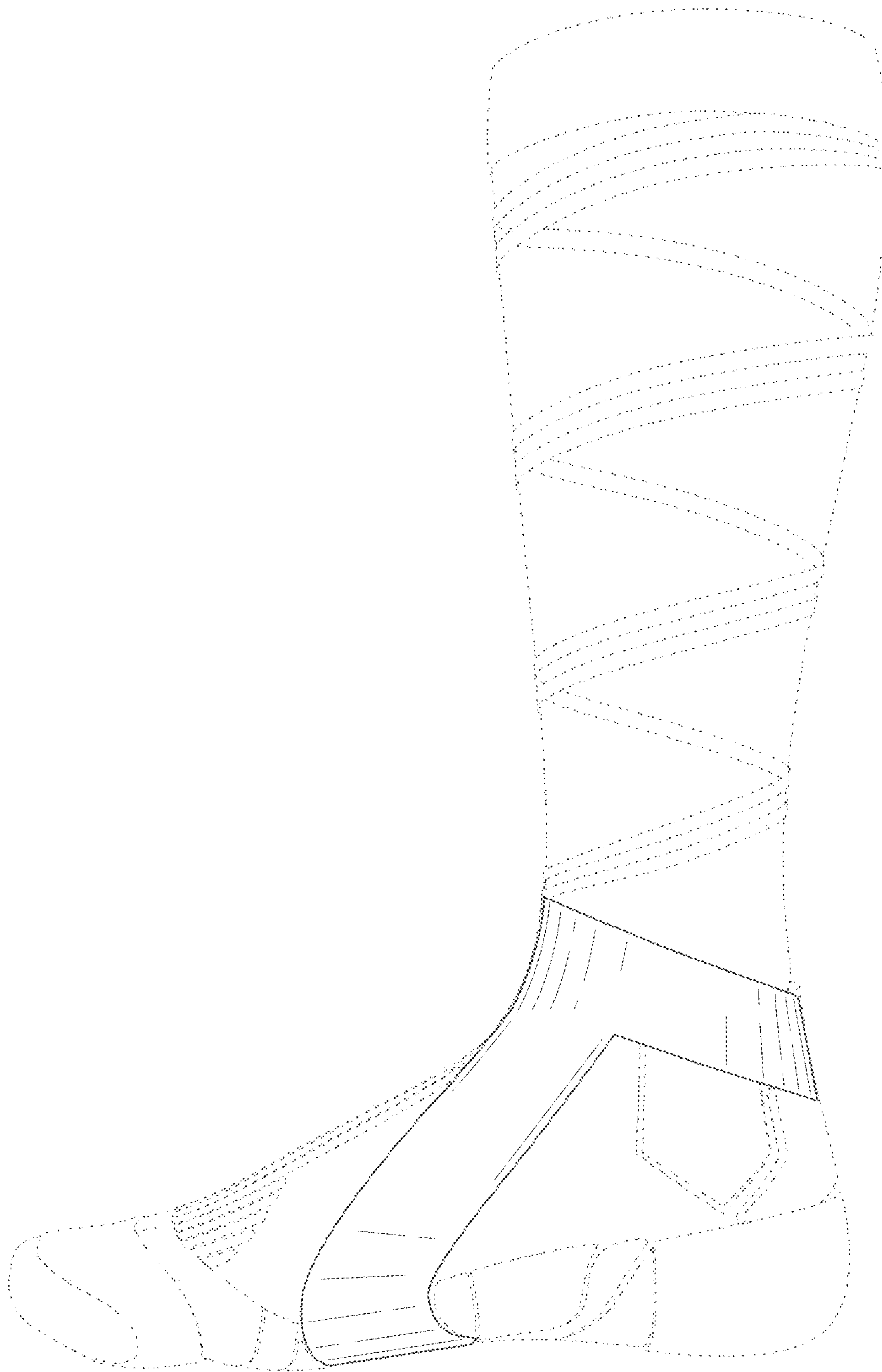
**FIG. 1**



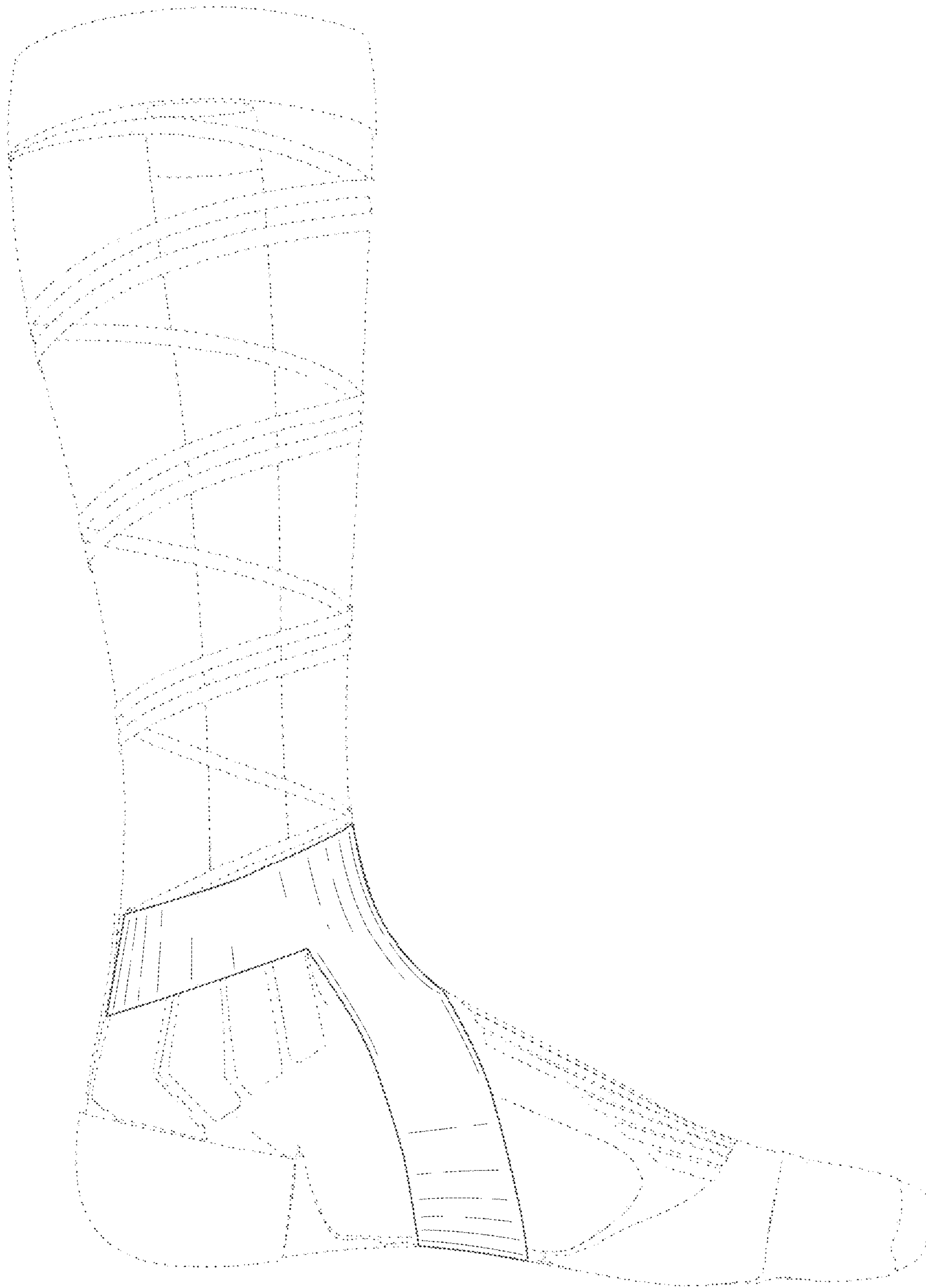
**FIG. 2**



**FIG. 3**



**FIG. 4**



**FIG. 5**