



US00D989470S

(12) **United States Design Patent**  
**Reister**

(10) **Patent No.:** **US D989,470 S**  
(45) **Date of Patent:** **\*\* Jun. 20, 2023**

(54) **SHOE STRETCHER**

(71) Applicant: **The Modern Gentleman, Inc.**, Plano, TX (US)

(72) Inventor: **Richard James Reister**, Plano, TX (US)

(73) Assignee: **THE MODERN GENTLEMAN, INC.**, Plano, TX (US)

(\*\*) Term: **15 Years**

(21) Appl. No.: **29/789,927**

(22) Filed: **Oct. 25, 2021**

(51) **LOC (14) Cl.** ..... **07-99**

(52) **U.S. Cl.**  
USPC ..... **D2/979**

(58) **Field of Classification Search**  
USPC ..... D2/946, 961, 979, 999, 641, 642, 896  
CPC ..... A43D 3/08; A43D 3/14; A43D 3/1416;  
A43D 3/1425; A43D 3/1433; A43D  
3/1441; A43D 3/145; A43D 3/1458;  
A43D 3/1466; A43D 3/1475; A43D  
3/1483; A43D 3/12

See application file for complete search history.

(56) **References Cited**

U.S. PATENT DOCUMENTS

- 497,150 A \* 5/1893 Whitcher ..... A43D 3/1466  
12/114.6
- 795,871 A \* 8/1905 Watson ..... A47L 23/18  
12/53.7
- 1,568,432 A \* 1/1926 Weise ..... A43D 3/1441  
12/116.8
- 1,660,912 A \* 2/1928 Brock ..... A43D 3/08  
12/128 V
- 2,111,669 A \* 3/1938 Lazarus ..... A43D 3/1441  
12/116.8
- 2,150,713 A \* 3/1939 Davis ..... A47G 25/20  
223/69

- 2,171,924 A \* 9/1939 Fissel ..... A43D 3/08  
D2/979
- 2,295,359 A \* 9/1942 Schiller ..... A43D 3/08  
D2/979
- 2,476,462 A \* 7/1949 Smith ..... A47L 23/18  
12/114.2

(Continued)

OTHER PUBLICATIONS

FootFitter Premium Professional Ball & Ring Cast Iron Bunion Stretcher, [https://footfitter.com/products/footfitter-premium-professional-ball-ring-cast-iron-bunion-stretcher?gclid=EAlalQobChMlzpblzcGy\\_glVfsjjBx1aBg3mEakYByABEgLFcPD\\_BwE](https://footfitter.com/products/footfitter-premium-professional-ball-ring-cast-iron-bunion-stretcher?gclid=EAlalQobChMlzpblzcGy_glVfsjjBx1aBg3mEakYByABEgLFcPD_BwE), Jan. 26, 2021. (Year: 2021).\*

(Continued)

*Primary Examiner* — Elizabeth J Oswecki

(74) *Attorney, Agent, or Firm* — Slater Matsil, LLP

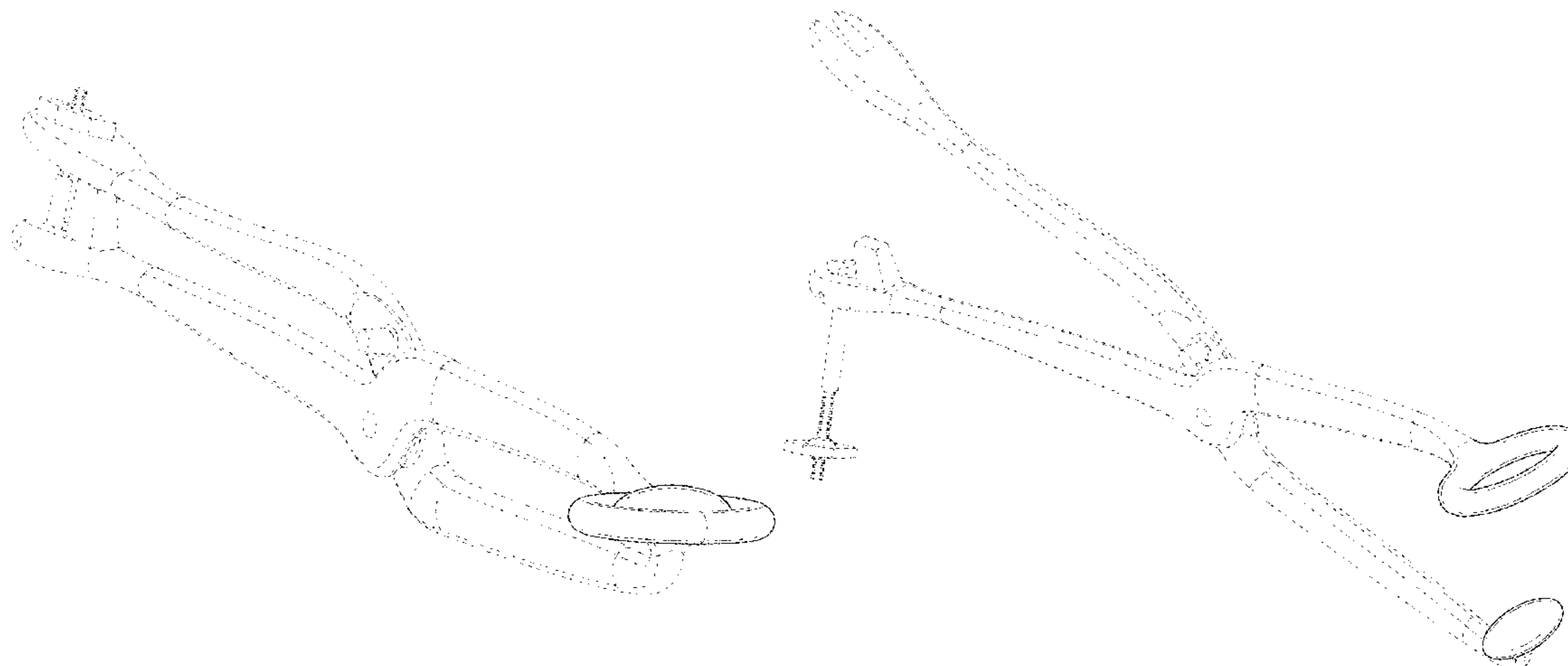
(57) **CLAIM**

The ornamental design for a shoe stretcher, as shown and described.

**DESCRIPTION**

FIG. 1 is a front perspective view of a shoe stretcher showing my new design, in a closed position; FIG. 2 is a front elevation view of FIG. 1; FIG. 3 is a back elevation view of FIG. 1; FIG. 4 is a right side elevation view of FIG. 1; FIG. 5 is a left side elevation view of FIG. 1; FIG. 6 is a top plan view of FIG. 1; FIG. 7 is a bottom plan view of FIG. 1; FIG. 8 is a front perspective view of FIG. 1, shown in an open position; FIG. 9 is a right side elevation view of FIG. 8; FIG. 10 is a left side elevation view of FIG. 8; and, FIG. 11 is a front, top perspective view of FIG. 8. The broken lines represent portions of the shoe stretcher that form no part of the claimed design.

(Continued)



The mirror image of FIGS. 1-11 forms part of the claimed design.

**1 Claim, 11 Drawing Sheets**

(56)

**References Cited**

U.S. PATENT DOCUMENTS

2,500,917 A \* 3/1950 Nathan ..... A43D 3/08  
12/128 R  
2,545,090 A \* 3/1951 Lau ..... A43D 3/145  
12/116.8  
3,206,780 A \* 9/1965 Cox ..... A43D 3/08  
D2/979  
3,210,787 A \* 10/1965 Allsop ..... A43D 3/1416  
211/35  
3,952,357 A \* 4/1976 O'Sullivan ..... A43D 3/08  
12/115.2

D338,323 S \* 8/1993 Bramble ..... D2/979  
D360,816 S \* 8/1995 Brown ..... D8/51  
D382,103 S \* 8/1997 Brown ..... D8/51  
D411,251 S \* 6/1999 Brown ..... D2/979  
D573,340 S \* 7/2008 Shtyn ..... D2/979  
D633,710 S \* 3/2011 Aldatz ..... D2/979  
D770,753 S \* 11/2016 Feldman ..... D2/979  
D841,308 S \* 2/2019 Wang ..... D2/979  
D981,701 S \* 3/2023 Shao ..... D2/979

OTHER PUBLICATIONS

Apex® Ball and Ring Shoe Stretcher, <https://www.alimed.com/ball-and-ring-bunion-stretcher.html>, copyright 2023. (Year: 2023).  
Shoe stretcher for relieving bunion pain, made: 1901-1930 in London, <https://collection.sciencemuseumgroup.org.uk/objects/co135578/shoe-stretcher-for-relieving-bunion-pain-shoe-stretchers,1930>. (Year: 1930).  
Amazon, "Ball and Ring Shoe Stretcher—Improved Screw Knob 2022", Mar. 2, 2018, web captured 1 page.

\* cited by examiner

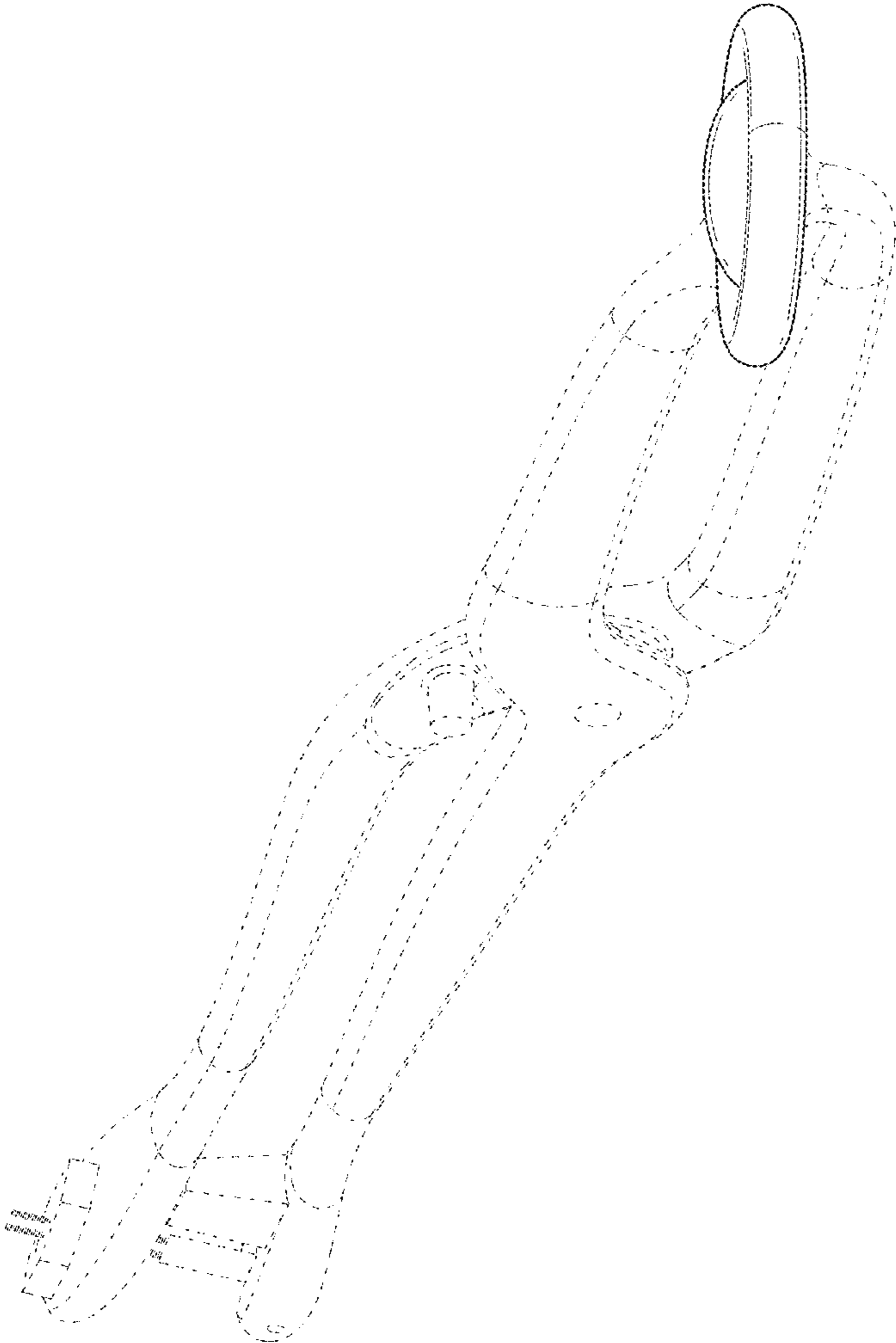


FIG. 1

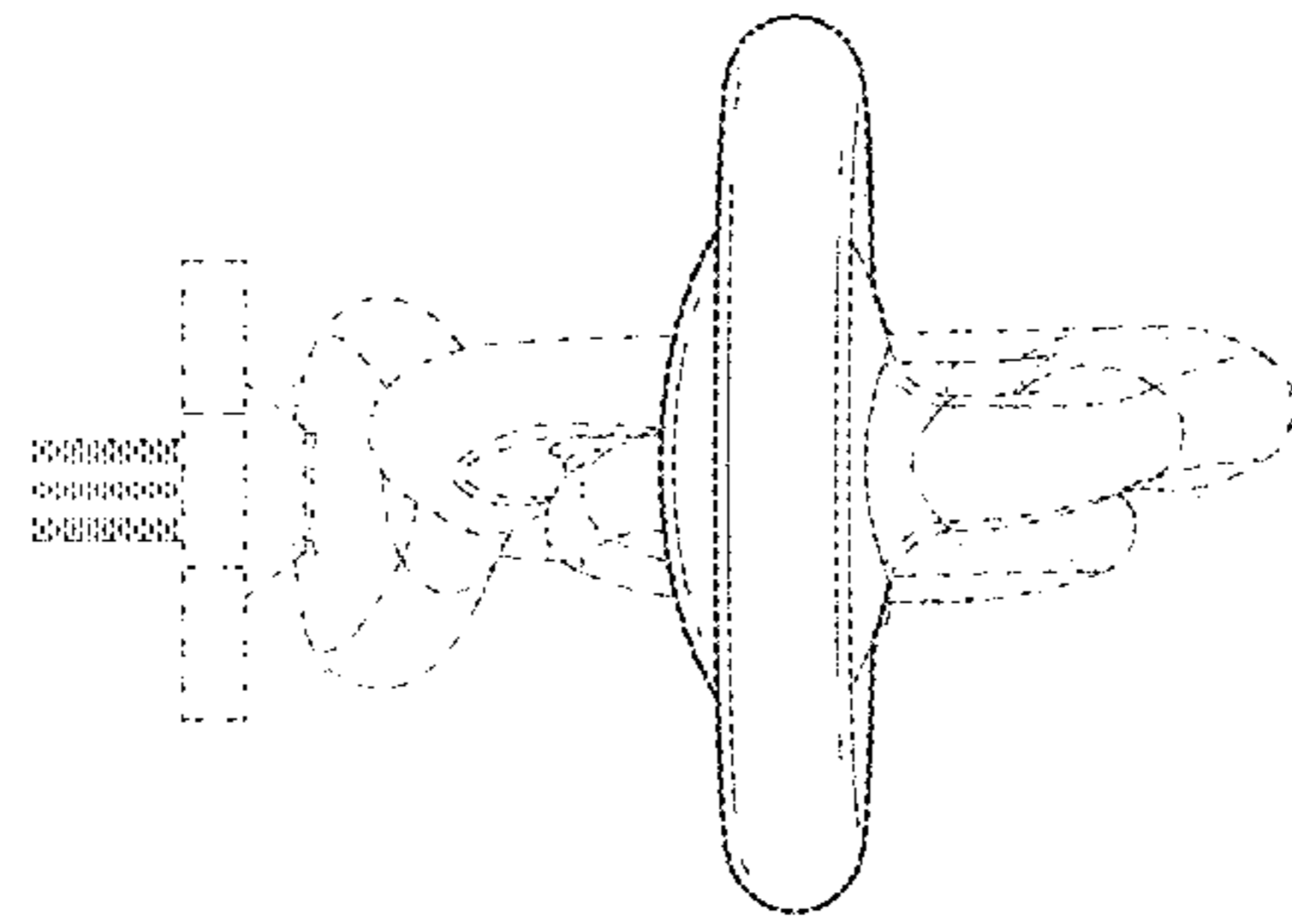


FIG. 2

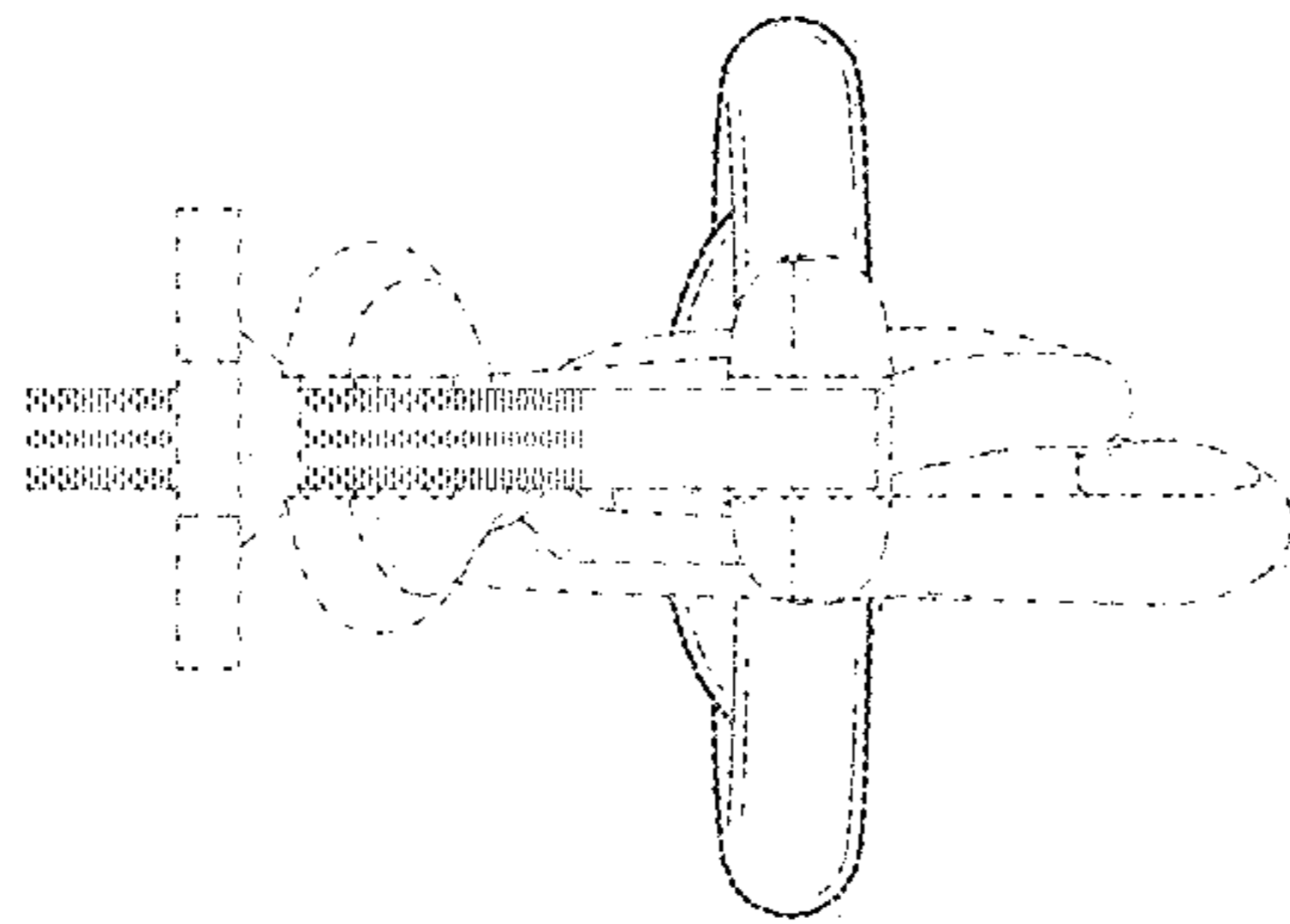


FIG. 3

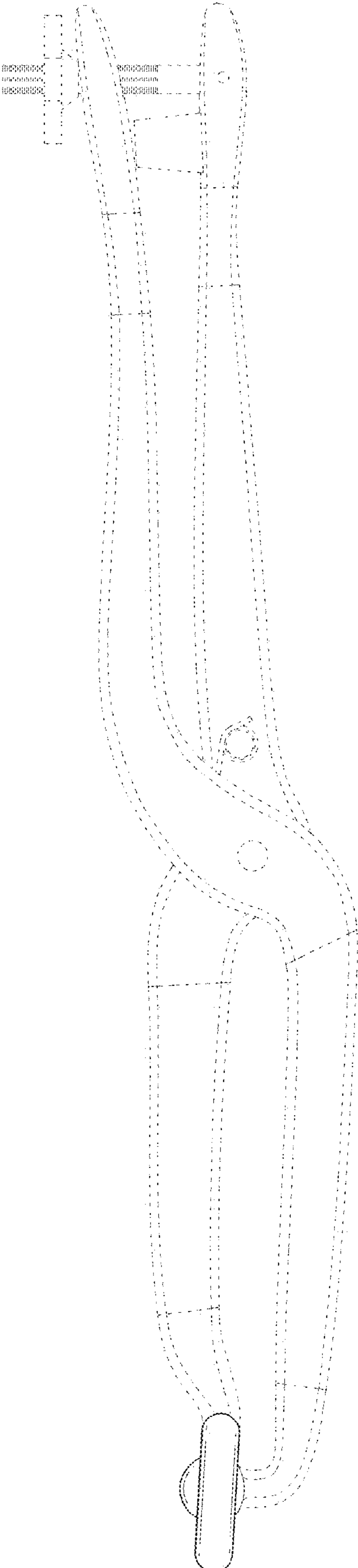


FIG. 4

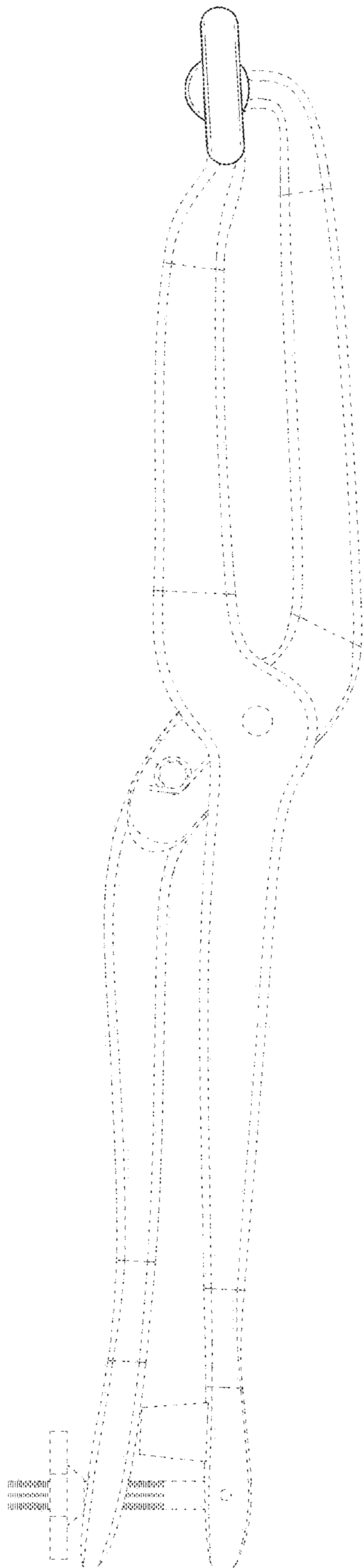


FIG. 5

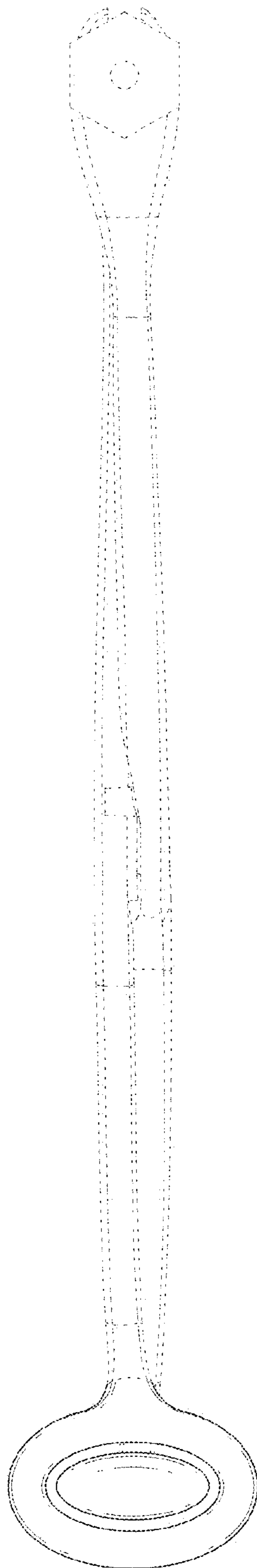


FIG. 6



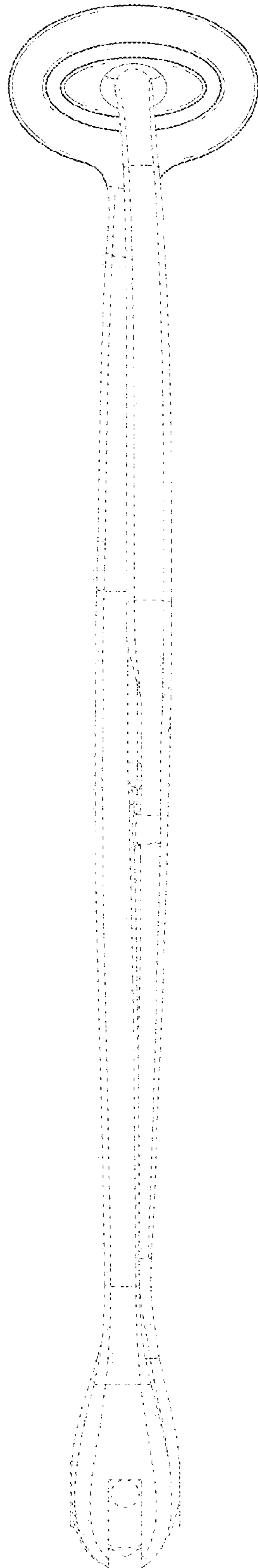


FIG. 7

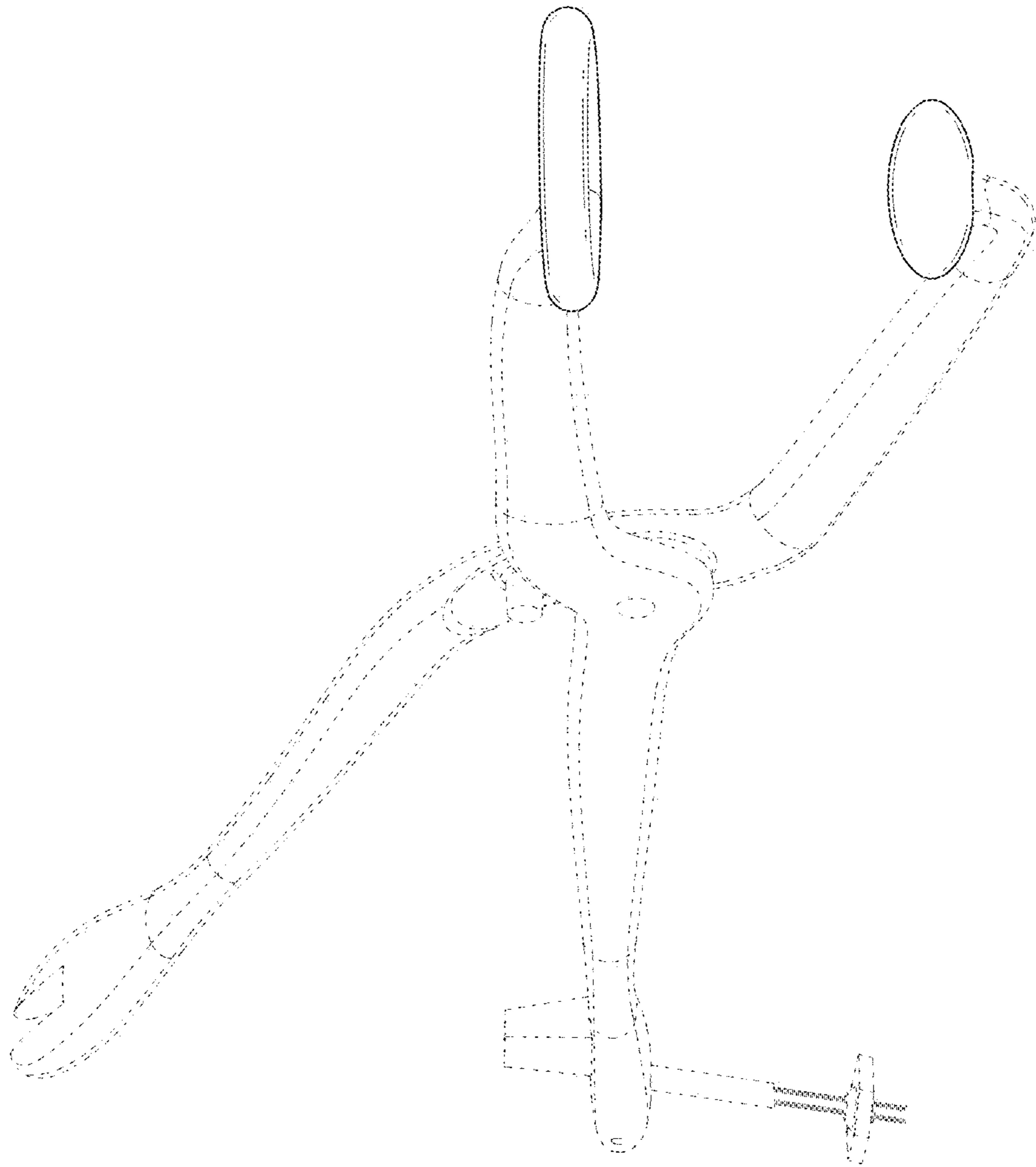


FIG. 8

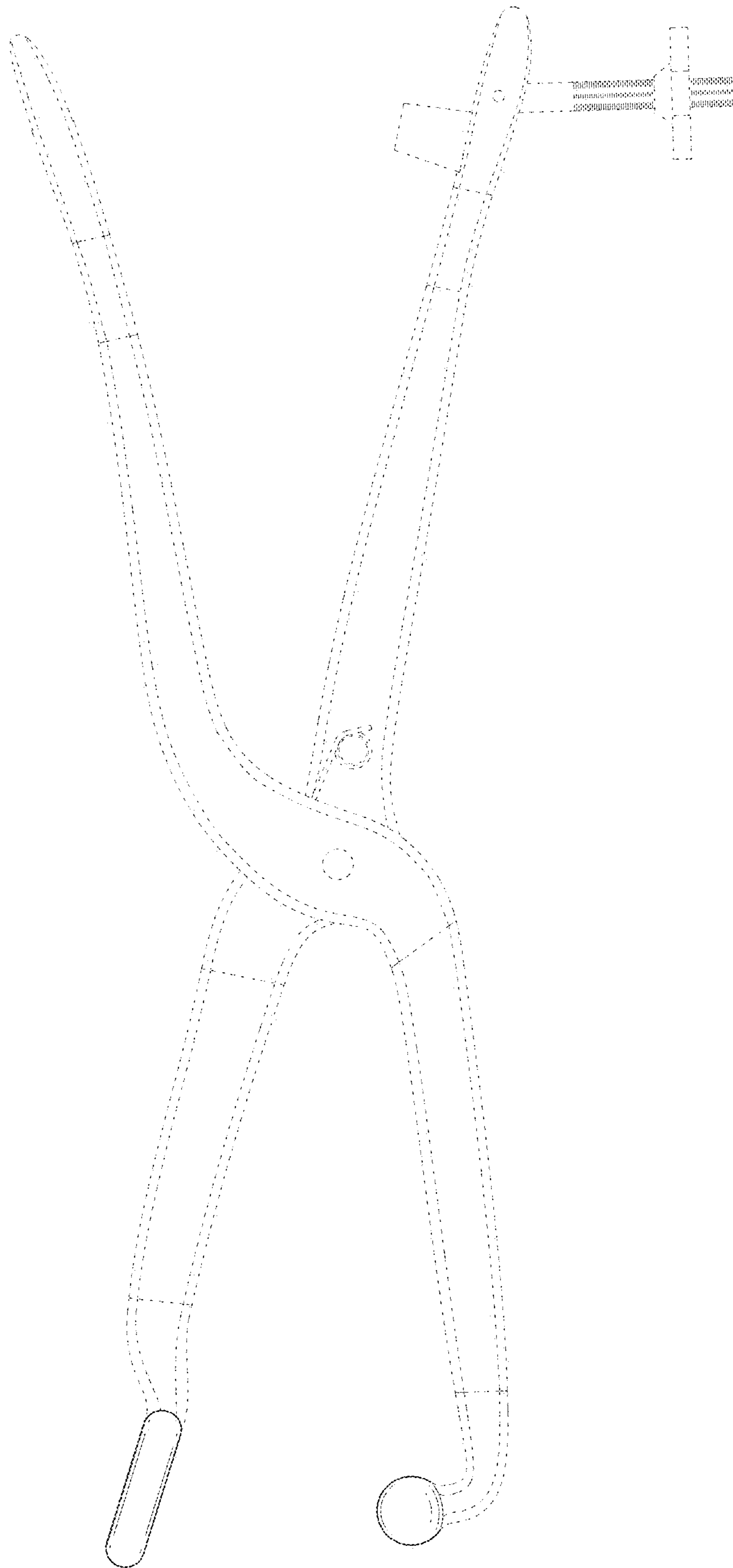


FIG. 9

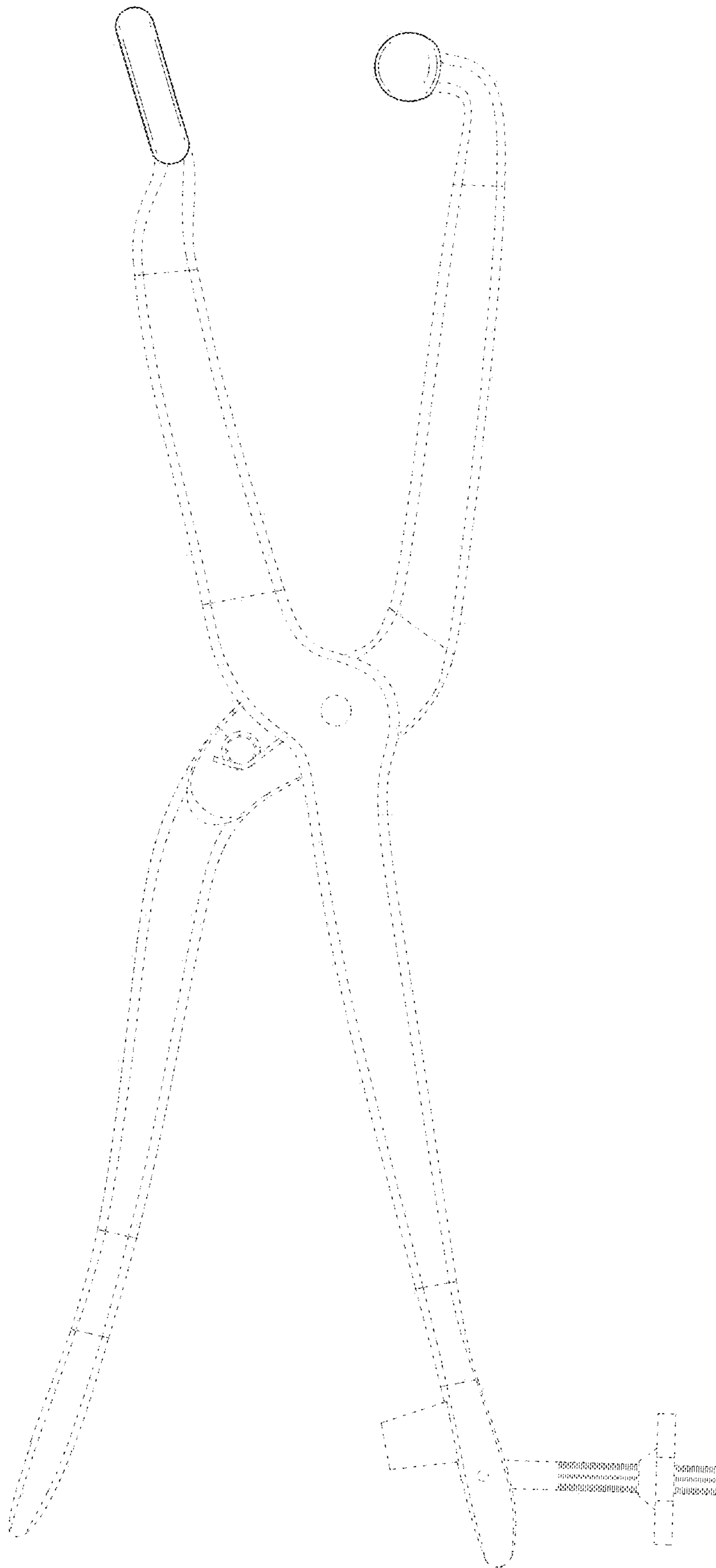


FIG. 10

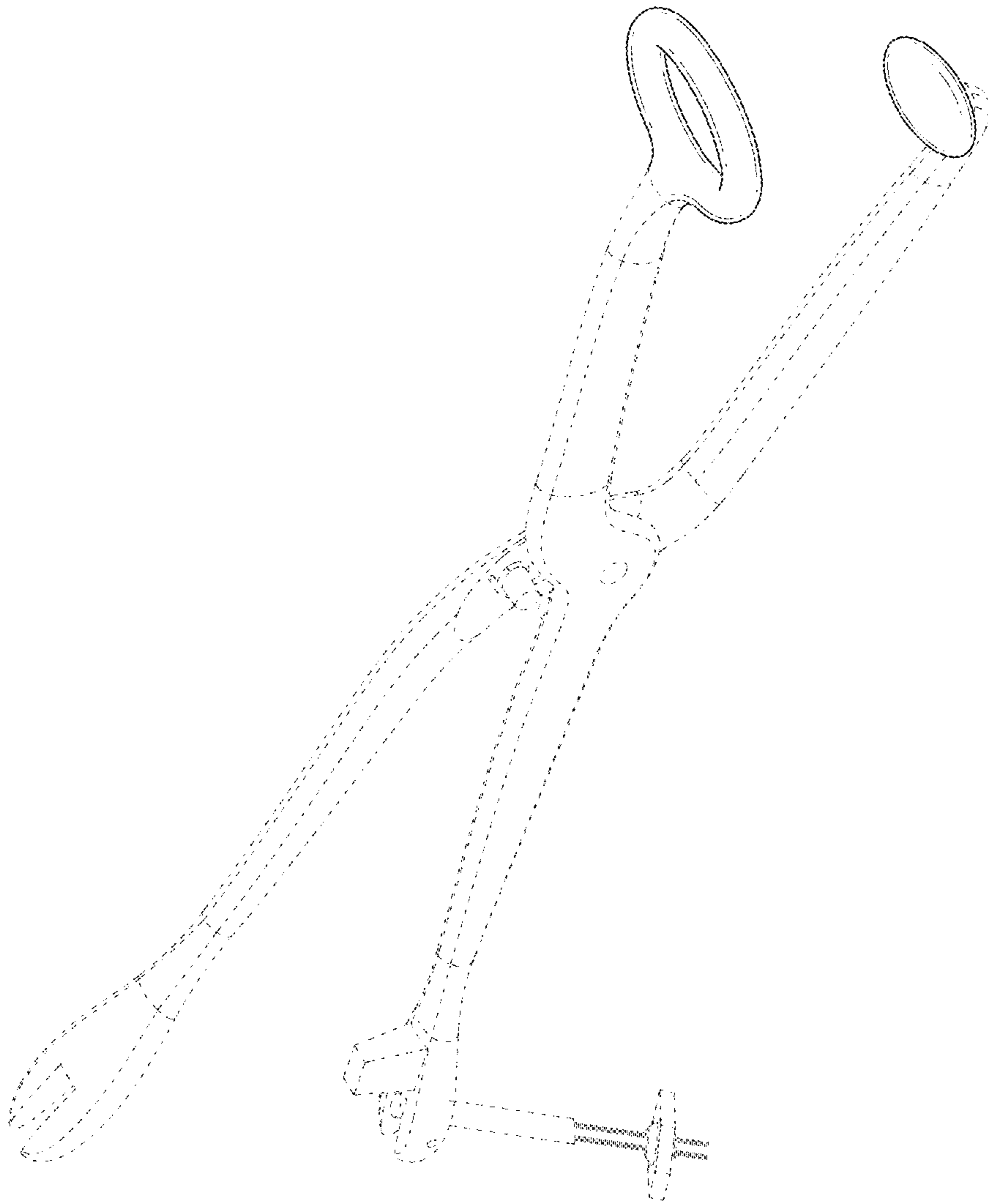


FIG. 11