



US00D989451S

(12) **United States Design Patent**  
**Braithwaite**

(10) **Patent No.:** **US D989,451 S**

(45) **Date of Patent:** **\*\* Jun. 20, 2023**

(54) **ATHLETIC SANDAL UPPER**  
(71) Applicant: **Nelwood Corp**, Murray, UT (US)  
(72) Inventor: **Cameron Braithwaite**, Eden, UT (US)  
(73) Assignee: **Nelwood Corp**, Murray, UT (US)  
(\*\*) Term: **15 Years**

D802,270 S 11/2017 Kirschner  
10,111,490 B2 10/2018 Roser  
10,149,512 B1 12/2018 Wurtz  
10,188,172 B1 1/2019 Wurtz  
D845,593 S 4/2019 Wurtz  
D867,731 S 11/2019 Steele  
D869,137 S 12/2019 Fongher et al.  
D878,719 S 3/2020 Post  
D919,249 S \* 5/2021 Post ..... D2/916  
D919,250 S \* 5/2021 Post ..... D2/916  
D919,251 S \* 5/2021 Post ..... A43B 13/12  
D2/916  
D919,252 S \* 5/2021 Post ..... D2/916

(21) Appl. No.: **29/825,516**  
(22) Filed: **Feb. 2, 2022**  
(51) **LOC (14) Cl.** ..... **02-04**  
(52) **U.S. Cl.**  
USPC ..... **D2/916; D2/902**  
(58) **Field of Classification Search**  
USPC ..... D2/896-900, 902-908, 916-918, 923,  
D2/946, 969, 972-974  
CPC ..... A43B 5/001-025; A43B 5/06; A43B 5/04  
See application file for complete search history.

*Primary Examiner* — Rashida C. Walshon  
(74) *Attorney, Agent, or Firm* — Pate Nelson & Hill,  
PLLC

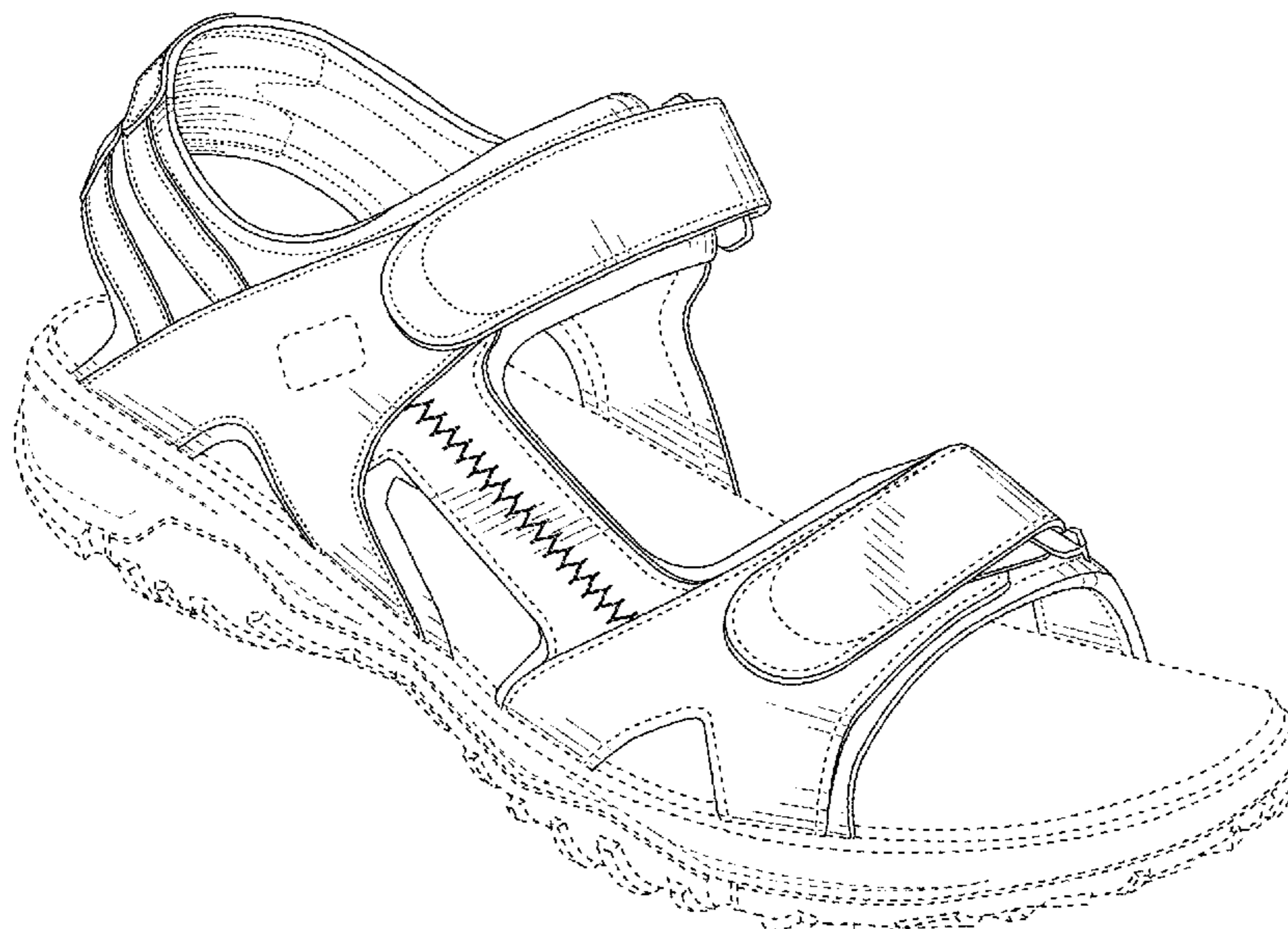
(57) **CLAIM**  
The ornamental design for an athletic sandal upper, as shown  
and described.

(56) **References Cited**  
U.S. PATENT DOCUMENTS  
D250,738 S 1/1979 Foldes  
D251,216 S 3/1979 Krippelz  
D278,571 S 4/1985 Eber  
5,561,919 A \* 10/1996 Gill ..... A43B 13/12  
36/11.5  
D376,895 S 12/1996 Cook  
D409,360 S 5/1999 Movitz  
D416,667 S 11/1999 Lambstein  
D442,359 S \* 5/2001 Matis ..... A43B 3/102  
D2/969  
D535,091 S \* 1/2007 Matis ..... D2/969  
7,823,299 B1 11/2010 Brigham  
D641,142 S 7/2011 Lindseth et al.  
D736,502 S 8/2015 Helwig  
D757,405 S 5/2016 Labarbera  
D761,003 S 7/2016 Sprint et al.  
D771,916 S 11/2016 Helwig  
D783,955 S 4/2017 Fullerton et al.

**DESCRIPTION**

FIG. 1 is a frontal perspective view of a right-foot athletic sandal upper in accordance with the invention;  
FIG. 2 is a front elevation view of the right-foot athletic sandal upper;  
FIG. 3 is a rear elevation view of the right-foot athletic sandal upper;  
FIG. 4 is a left side elevation view of the right-foot athletic sandal upper;  
FIG. 5 is a right side elevation view of the right-foot athletic sandal upper;  
FIG. 6 is top plan view of the right-foot athletic sandal upper; and,  
FIG. 7 is a bottom plan view of the right-foot athletic sandal upper.  
The broken lines depict a portion of the article and form no part of the claimed design.

**1 Claim, 4 Drawing Sheets**



(56)

**References Cited**

U.S. PATENT DOCUMENTS

D947,507 S *	4/2022	Giard .....	D2/916
D969,464 S *	11/2022	Schaetz .....	D2/916
D973,316 S *	12/2022	Burg .....	D2/916
2006/0288610 A1 *	12/2006	Laska .....	A43B 3/102 36/11.5

\* cited by examiner

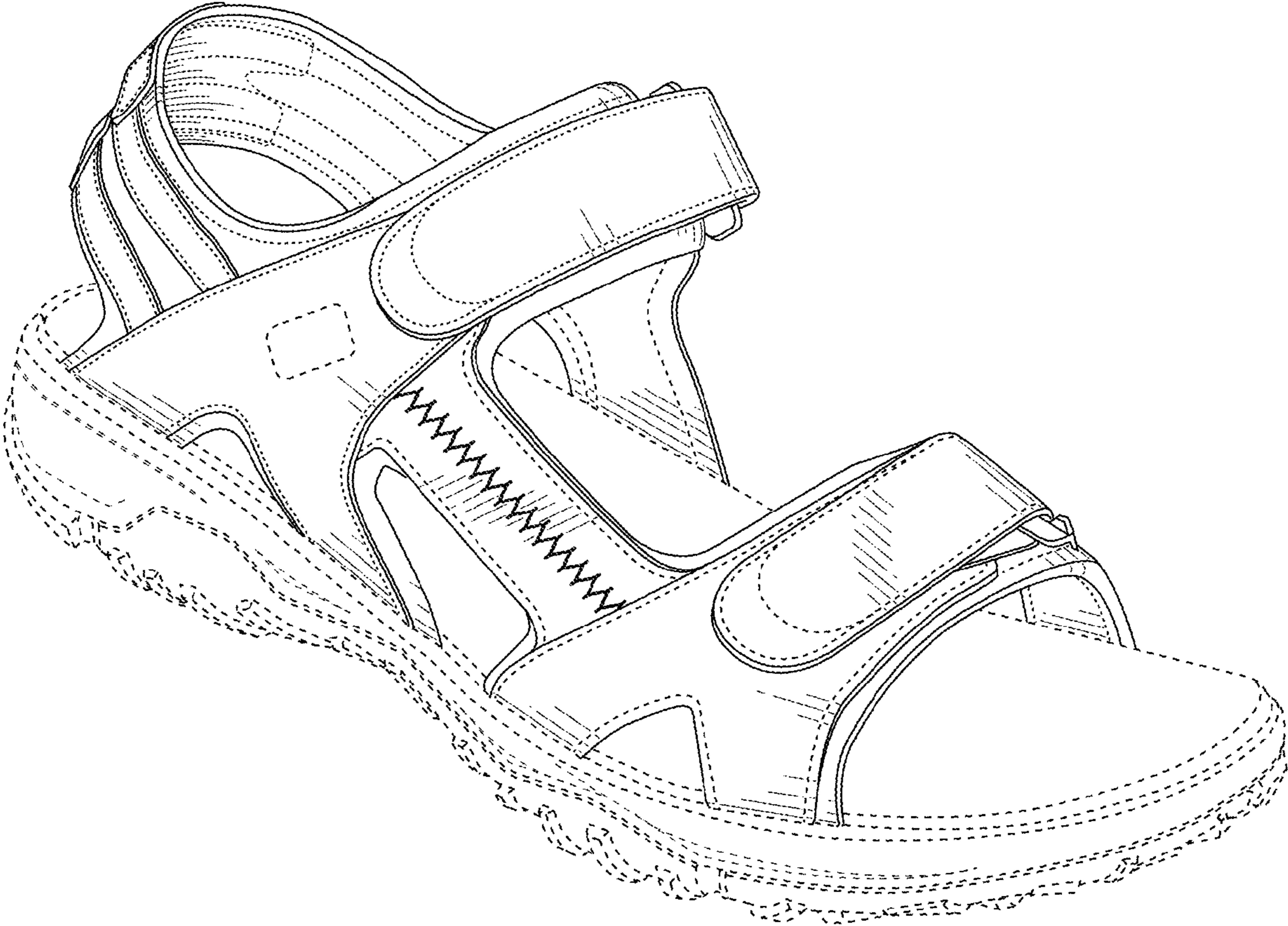


FIG. 1

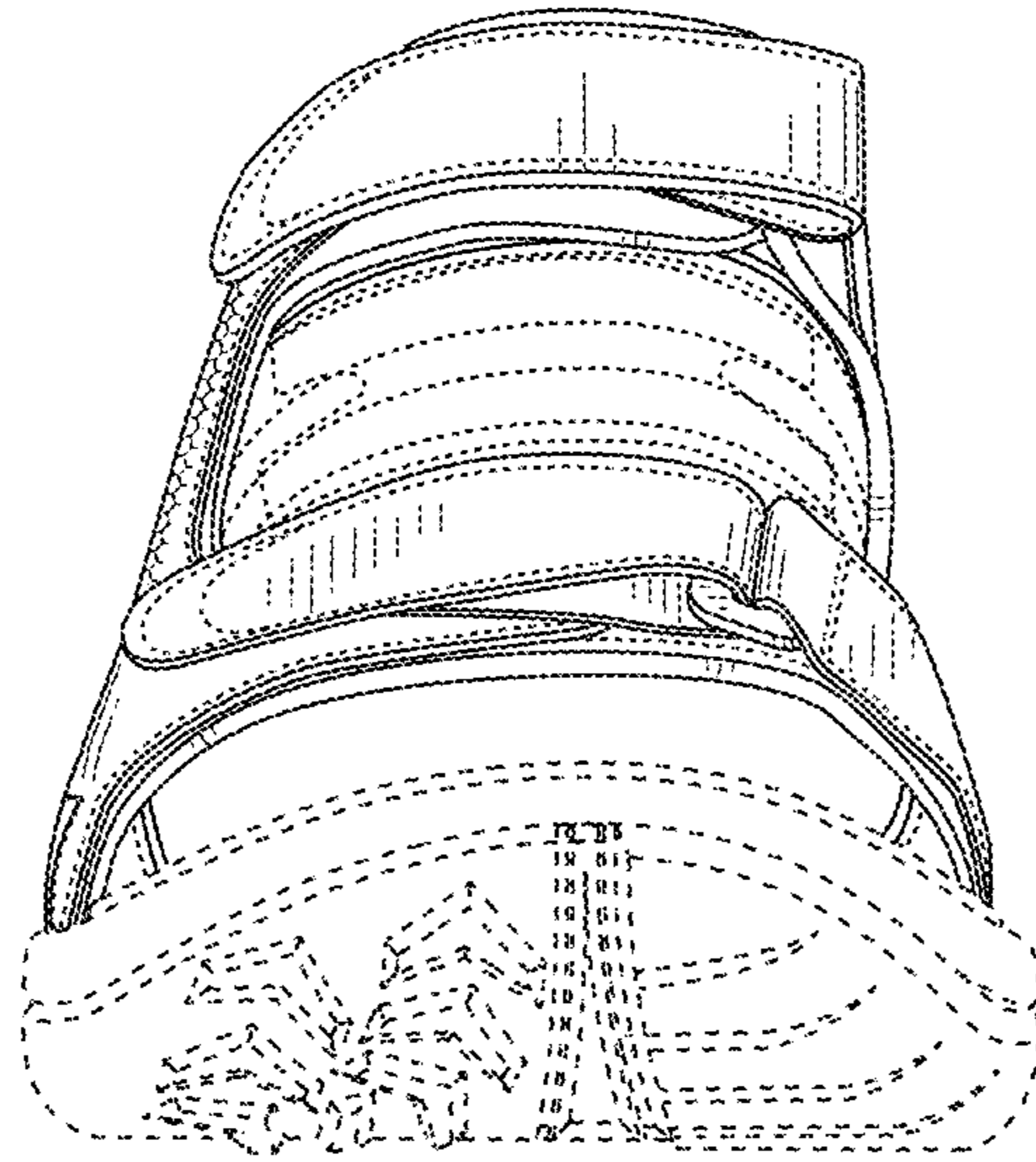


FIG. 2

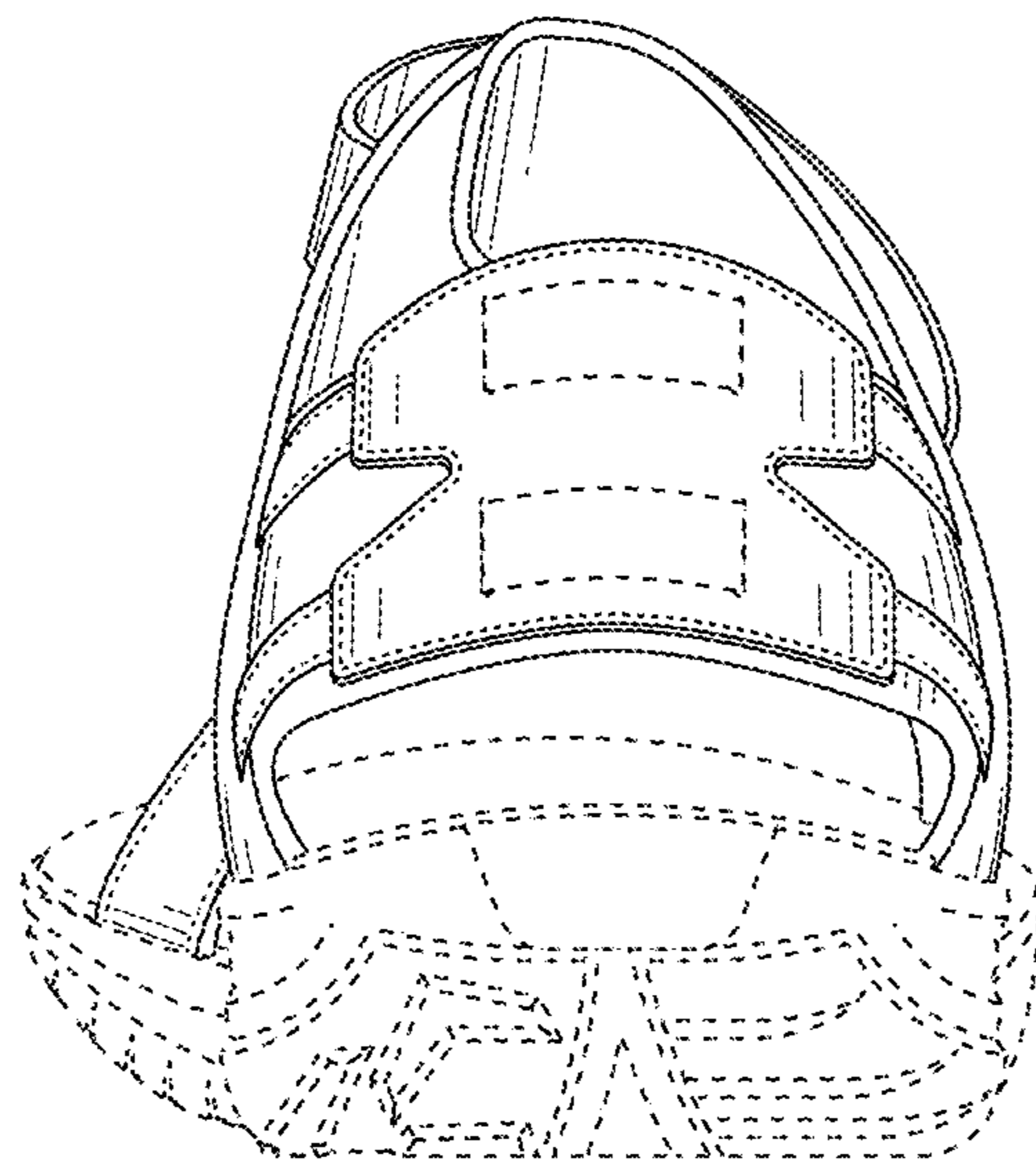


FIG. 3

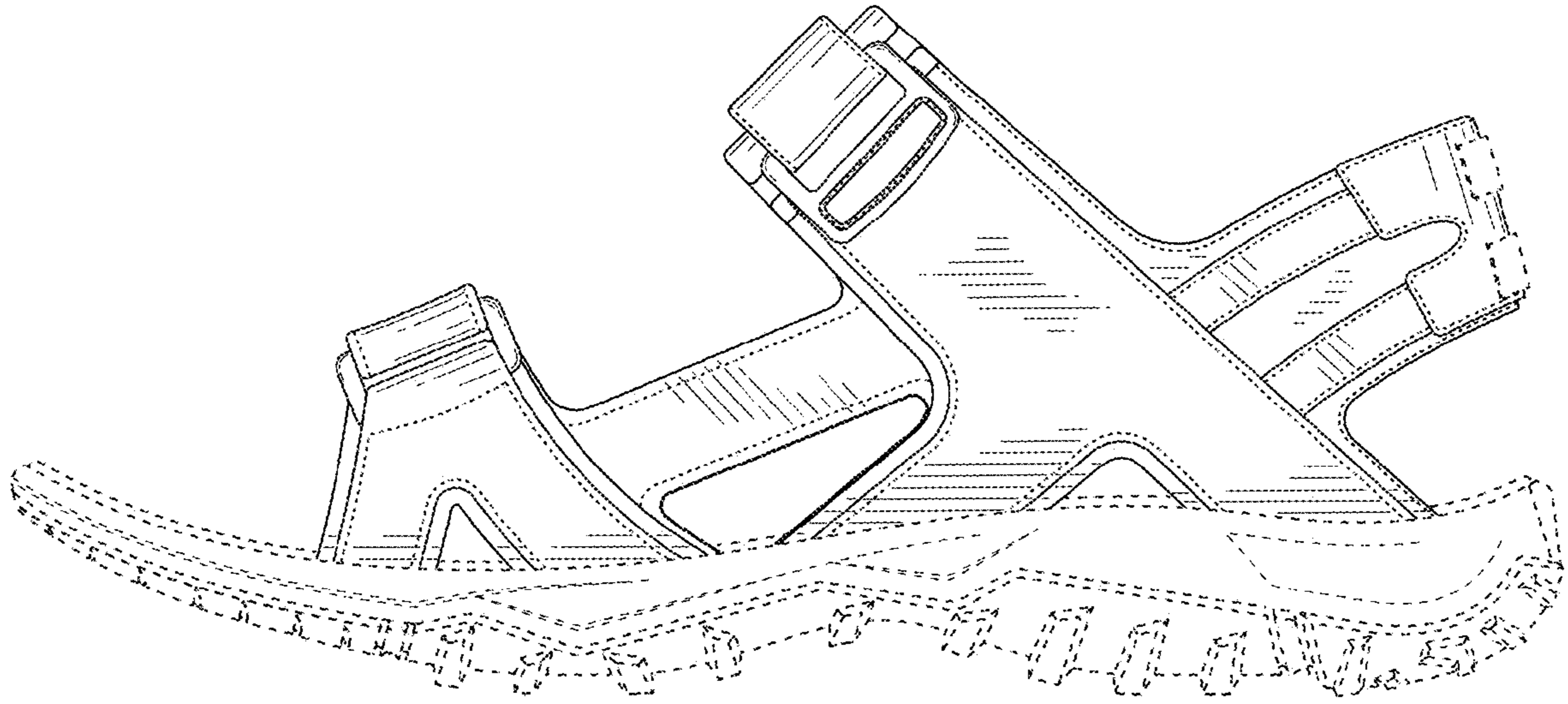


FIG. 4

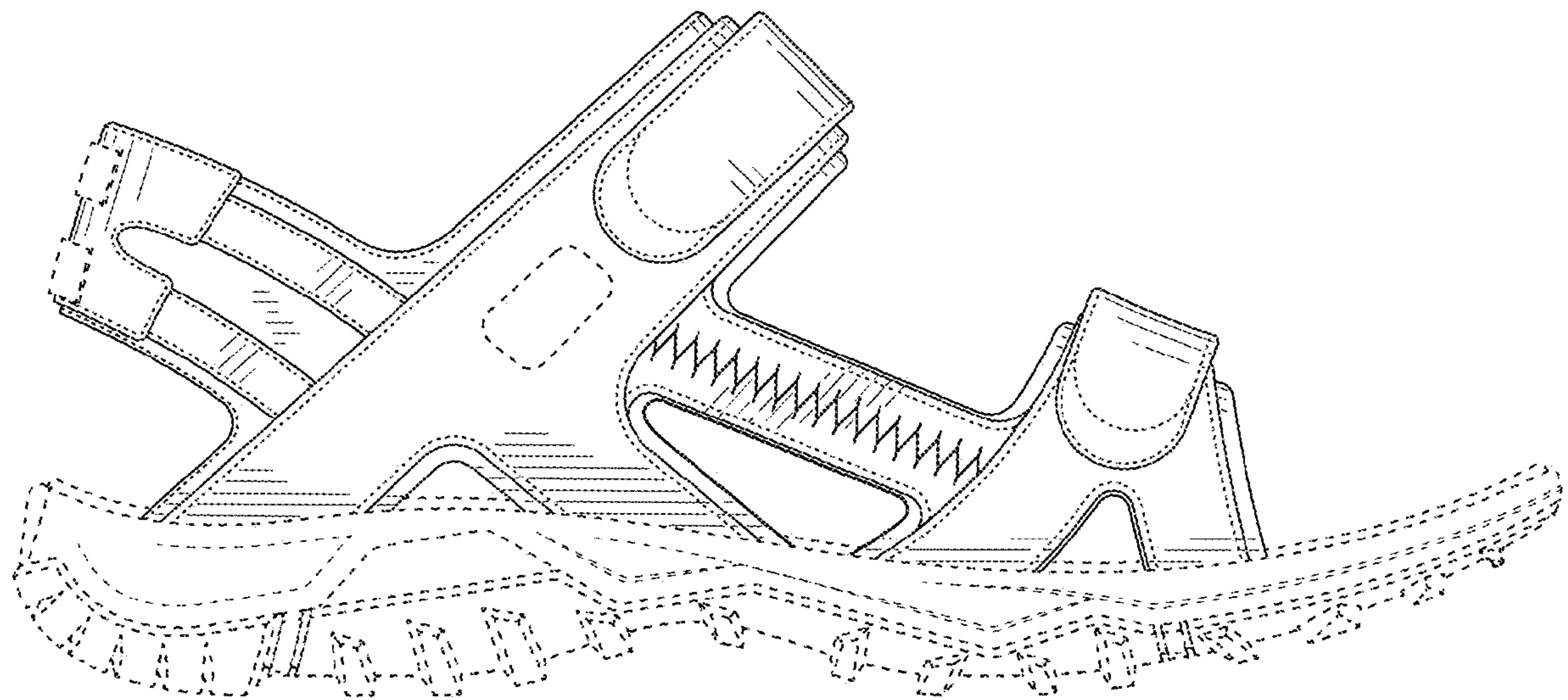


FIG. 5

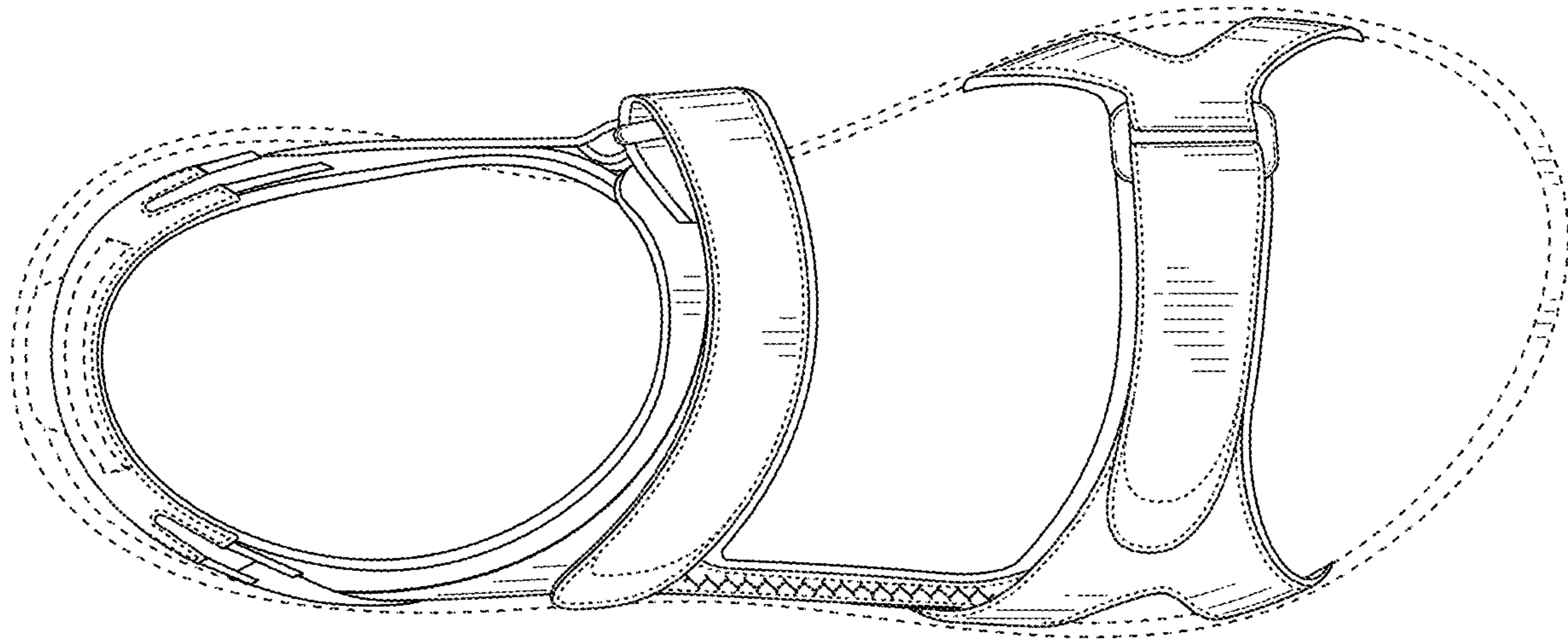


FIG. 6

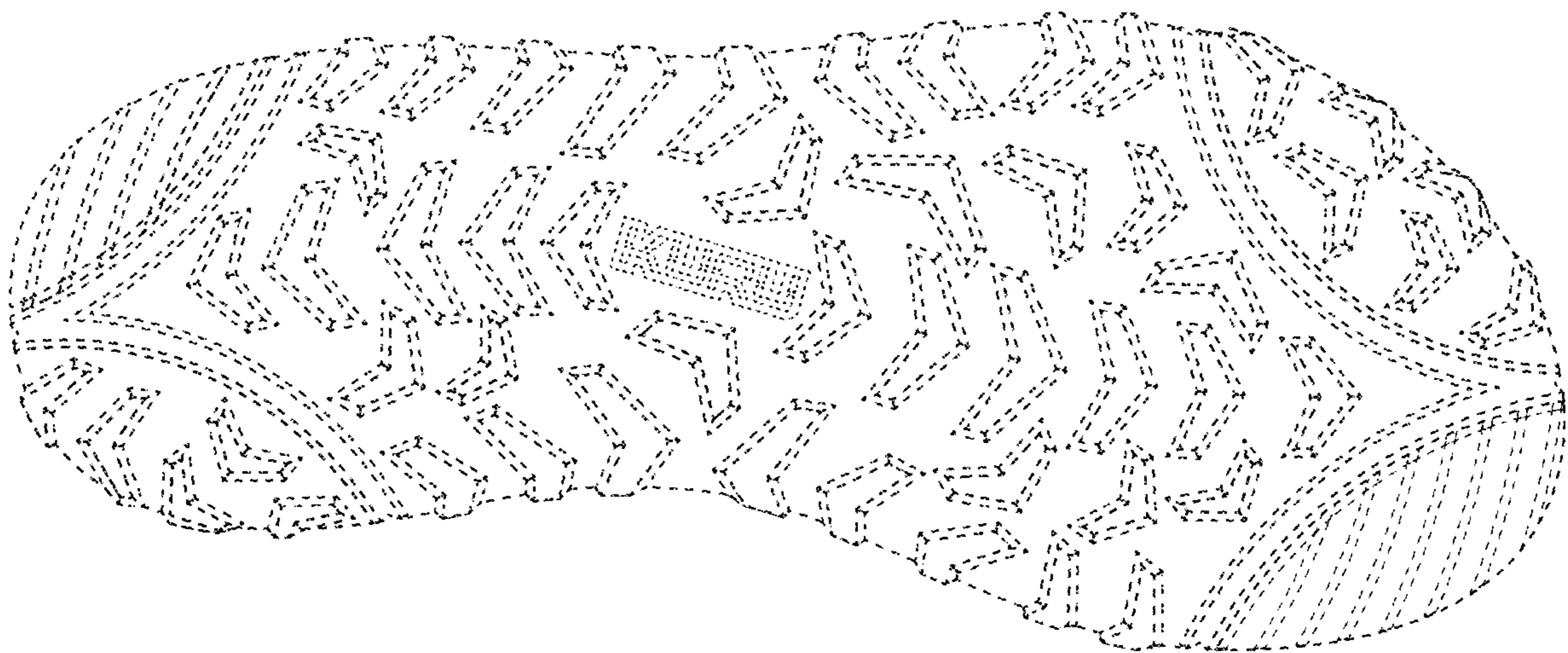


FIG. 7