



US00D989450S

(12) **United States Design Patent**
Braithwaite

(10) **Patent No.:** **US D989,450 S**
(45) **Date of Patent:** **** Jun. 20, 2023**

- (54) **ATHLETIC SANDAL**
- (71) Applicant: **Nelwood Corp**, Murray, UT (US)
- (72) Inventor: **Cameron Braithwaite**, Eden, UT (US)
- (73) Assignee: **Nelwood Corp**, Murray, UT (US)
- (**) Term: **15 Years**
- (21) Appl. No.: **29/825,512**
- (22) Filed: **Feb. 2, 2022**
- (51) **LOC (14) Cl.** **02-04**
- (52) **U.S. Cl.**
USPC **D2/916; D2/902; D2/960**
- (58) **Field of Classification Search**
USPC D2/896-900, 902-908, 916-918, 923,
D2/946, 969, 972-974
CPC A43B 5/001-025; A43B 5/06; A43B 5/04
See application file for complete search history.

- D641,142 S 7/2011 Lindseth et al.
- D736,502 S 8/2015 Helwig
- D757,405 S 5/2016 Labarbera
- D761,003 S 7/2016 Sprint et al.
- D771,916 S 11/2016 Helwig
- D783,955 S 4/2017 Fullerton et al.
- D802,270 S 11/2017 Kirschner
- 10,111,490 B2 10/2018 Roser
- 10,149,512 B1 12/2018 Wurtz
- 10,188,172 B1 1/2019 Wurtz
- D845,593 S 4/2019 Wurtz
- D867,731 S 11/2019 Steele
- D869,137 S 12/2019 Fongher et al.
- D878,719 S 3/2020 Post

(Continued)

Primary Examiner — Rashida C. Walshon
(74) *Attorney, Agent, or Firm* — Pate Nelson & Hill, PLLC

(57) **CLAIM**

The ornamental design for an athletic sandal, as shown and described.

(56) **References Cited**

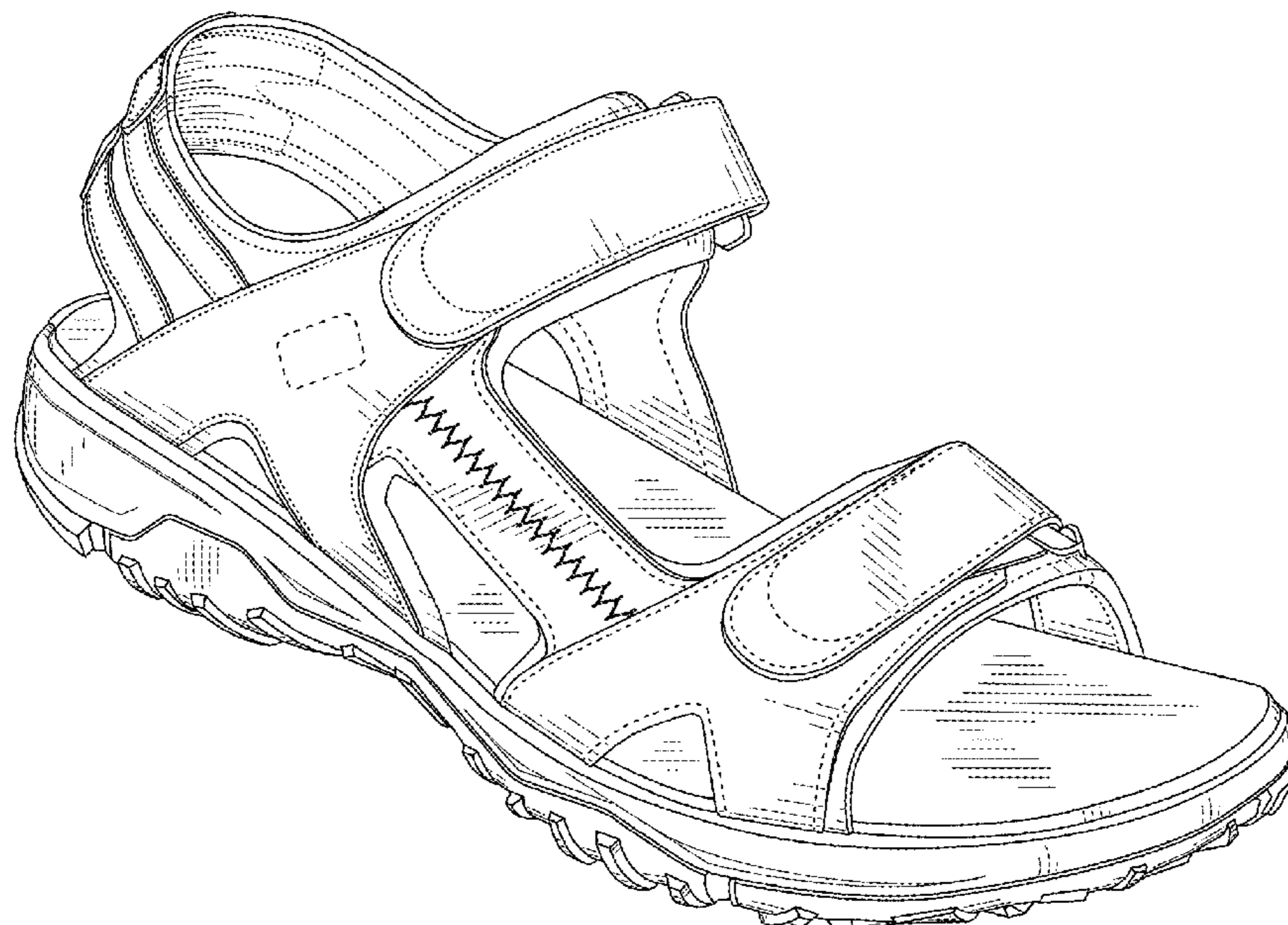
U.S. PATENT DOCUMENTS

- D250,738 S 1/1979 Foldes
- D251,216 S 3/1979 Krippelz
- D278,571 S 4/1985 Eber
- 5,561,919 A * 10/1996 Gill A43B 13/12
36/11.5
- D376,895 S 12/1996 Cook
- D409,360 S 5/1999 Movitz
- D409,362 S * 5/1999 Turner D2/954
- D416,667 S 11/1999 Lambstein
- D442,359 S * 5/2001 Matis A43B 3/102
D2/969
- D476,800 S * 7/2003 Fuerst D2/960
- D504,205 S * 4/2005 Andrews-Kramer D2/960
- D535,091 S * 1/2007 Matis D2/969
- D569,595 S * 5/2008 Le D2/960
- D574,584 S * 8/2008 Earle D2/951
- 7,823,299 B1 11/2010 Brigham

DESCRIPTION

FIG. 1 is a frontal perspective view of a right-foot athletic sandal in accordance with the invention;
FIG. 2 is a front elevation view of the right-foot athletic sandal;
FIG. 3 is a rear elevation view of the right-foot athletic sandal;
FIG. 4 is a left side elevation view of the right-foot athletic sandal;
FIG. 5 is a right side elevation view of the right-foot athletic sandal;
FIG. 6 is top plan view of the right-foot athletic sandal; and,
FIG. 7 is a bottom plan view of the right-foot athletic sandal.
The broken lines depict a portion of the article and form no part of the claimed design.

1 Claim, 4 Drawing Sheets



(56)

References Cited

U.S. PATENT DOCUMENTS

D919,248 S *	5/2021	Post	D2/951
D919,249 S *	5/2021	Post	D2/916
D919,250 S *	5/2021	Post	D2/916
D919,251 S *	5/2021	Post	A43B 13/12
				D2/916
D919,252 S *	5/2021	Post	D2/916
D947,507 S *	4/2022	Giard	D2/916
D969,464 S *	11/2022	Schaetz	D2/916
D973,316 S *	12/2022	Burg	D2/916
2006/0288610 A1 *	12/2006	Laska	A43B 3/102
				36/11.5

* cited by examiner

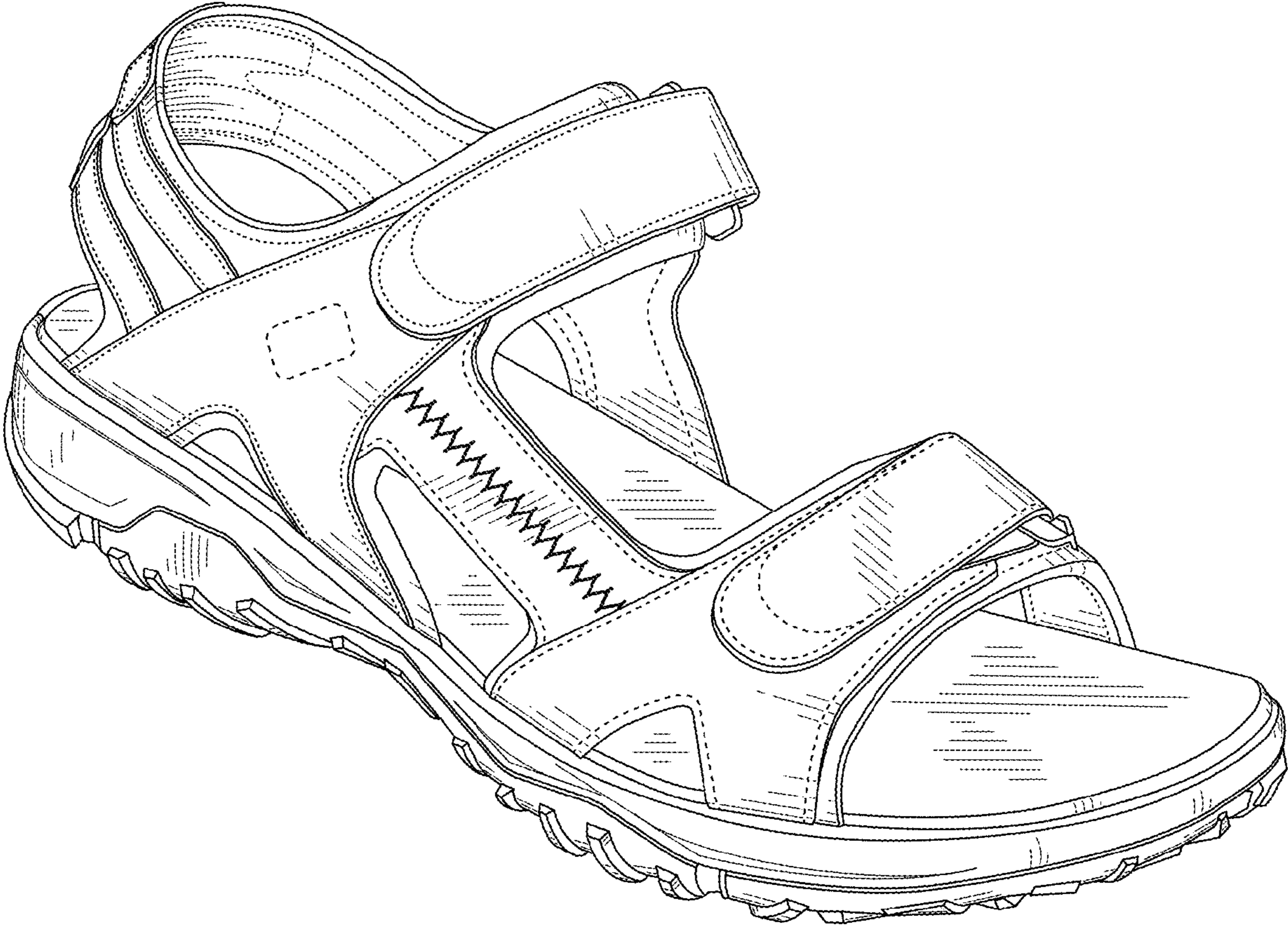


FIG. 1

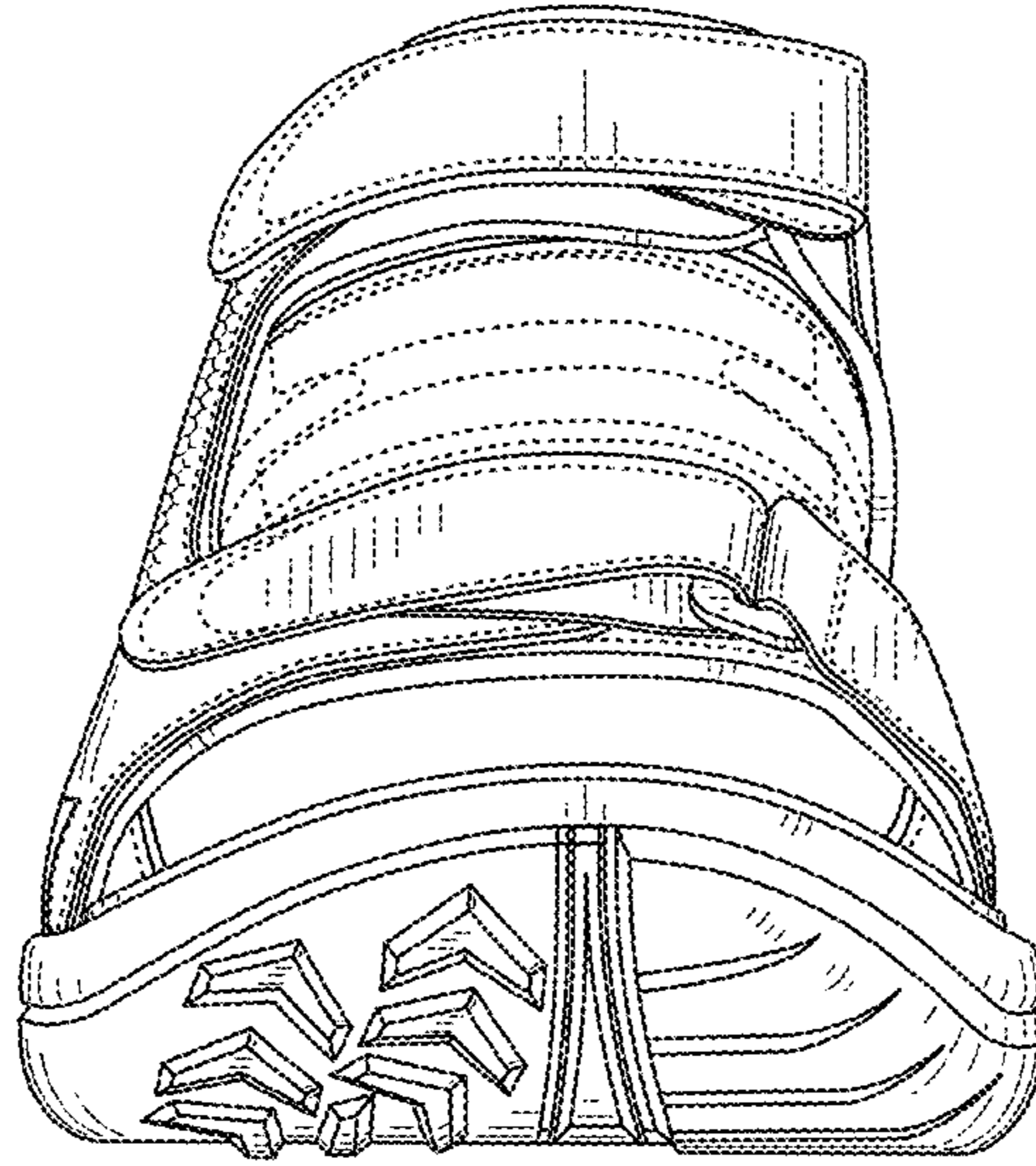


FIG. 2

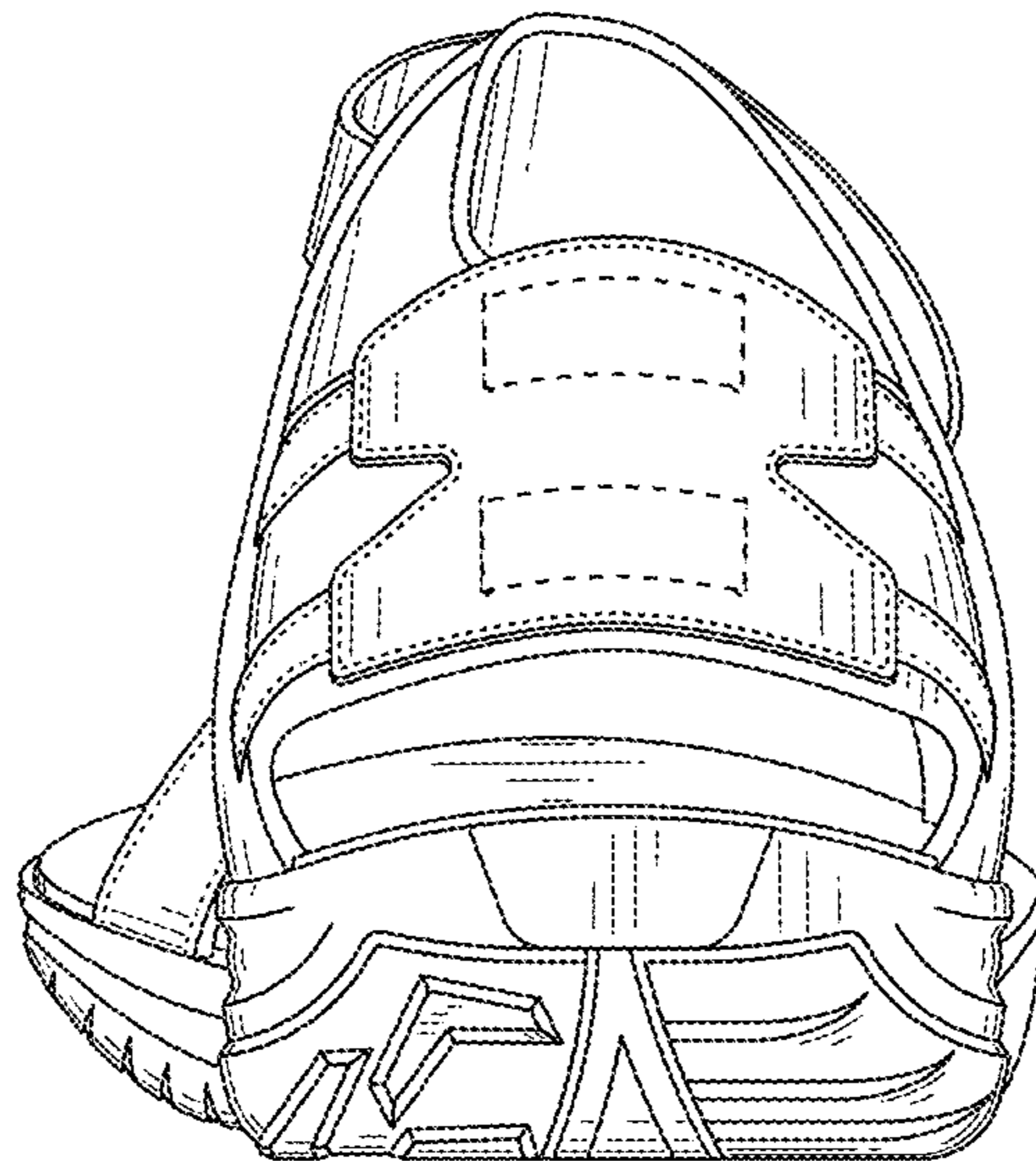


FIG. 3

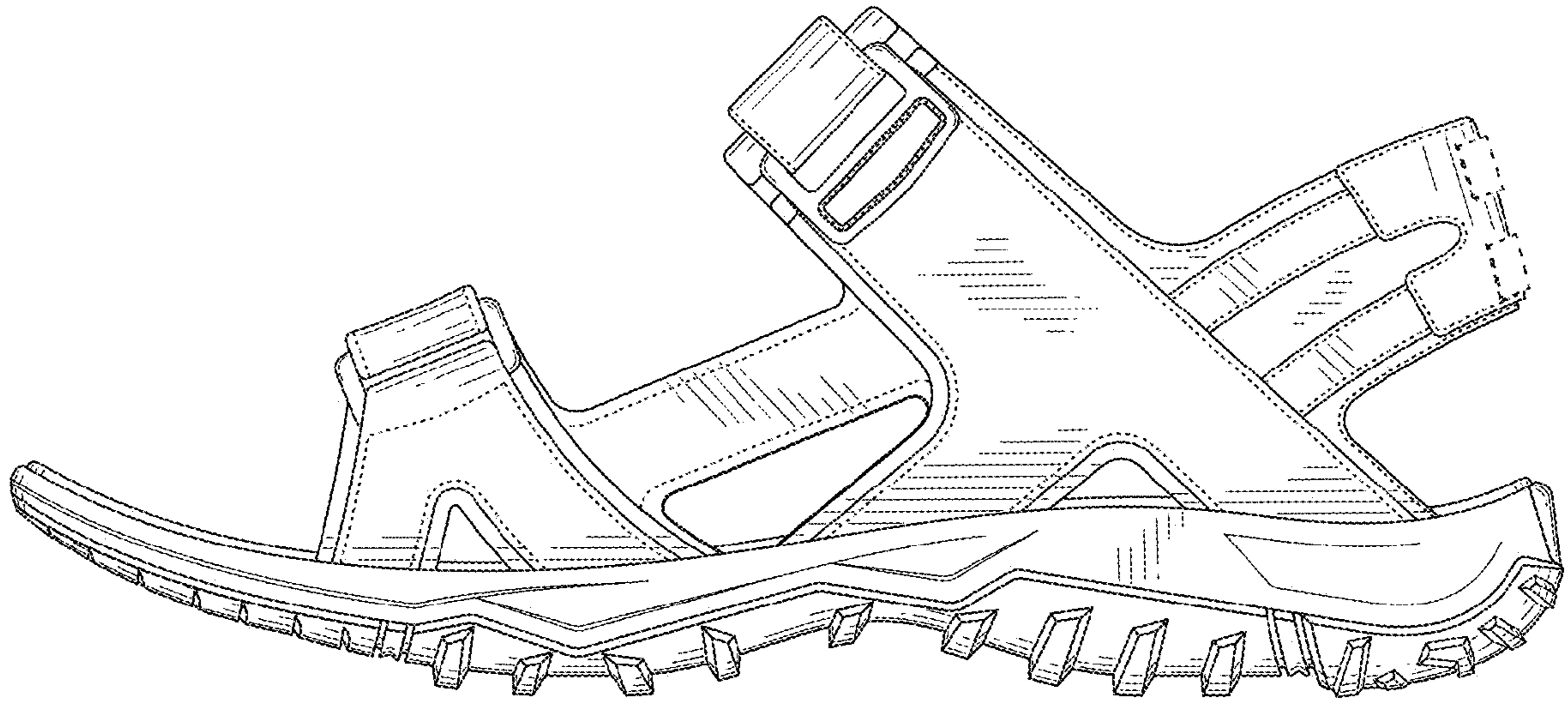


FIG. 4

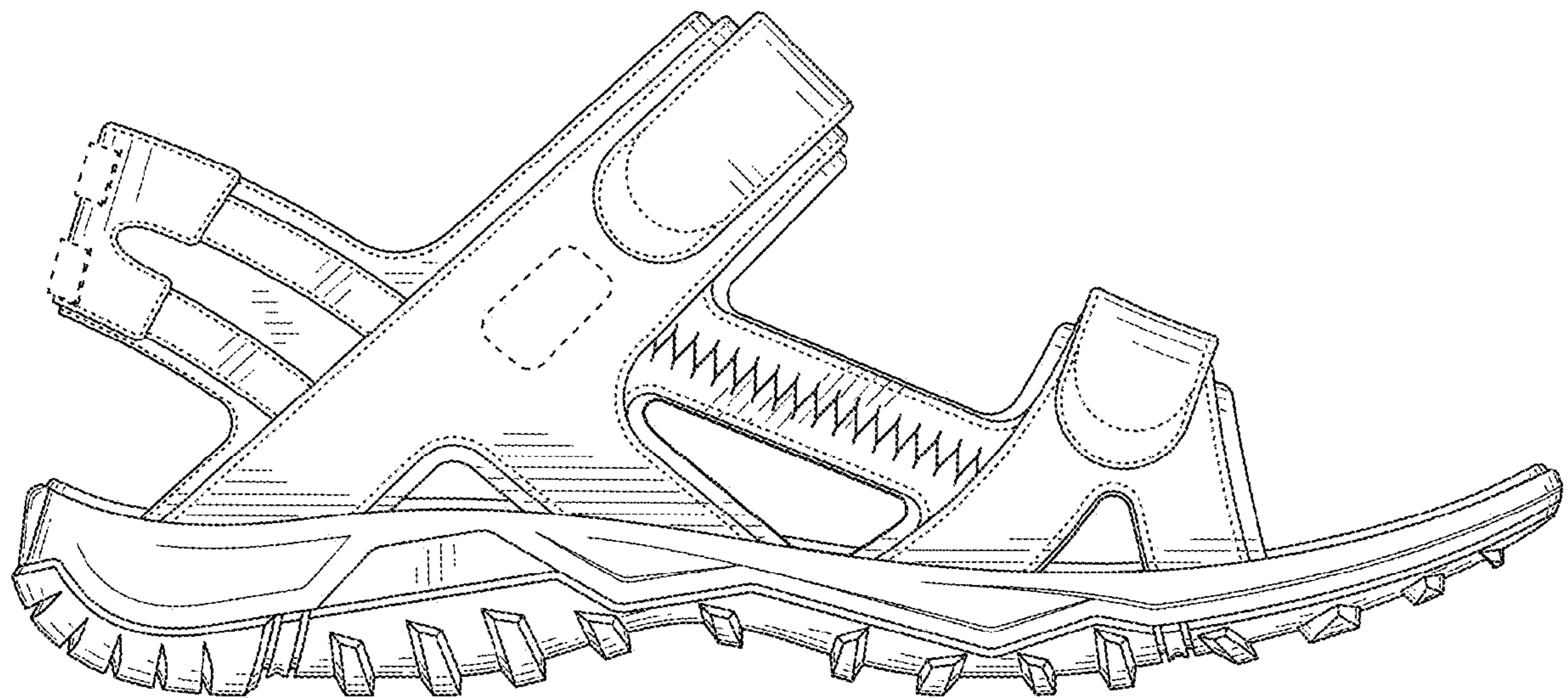


FIG. 5

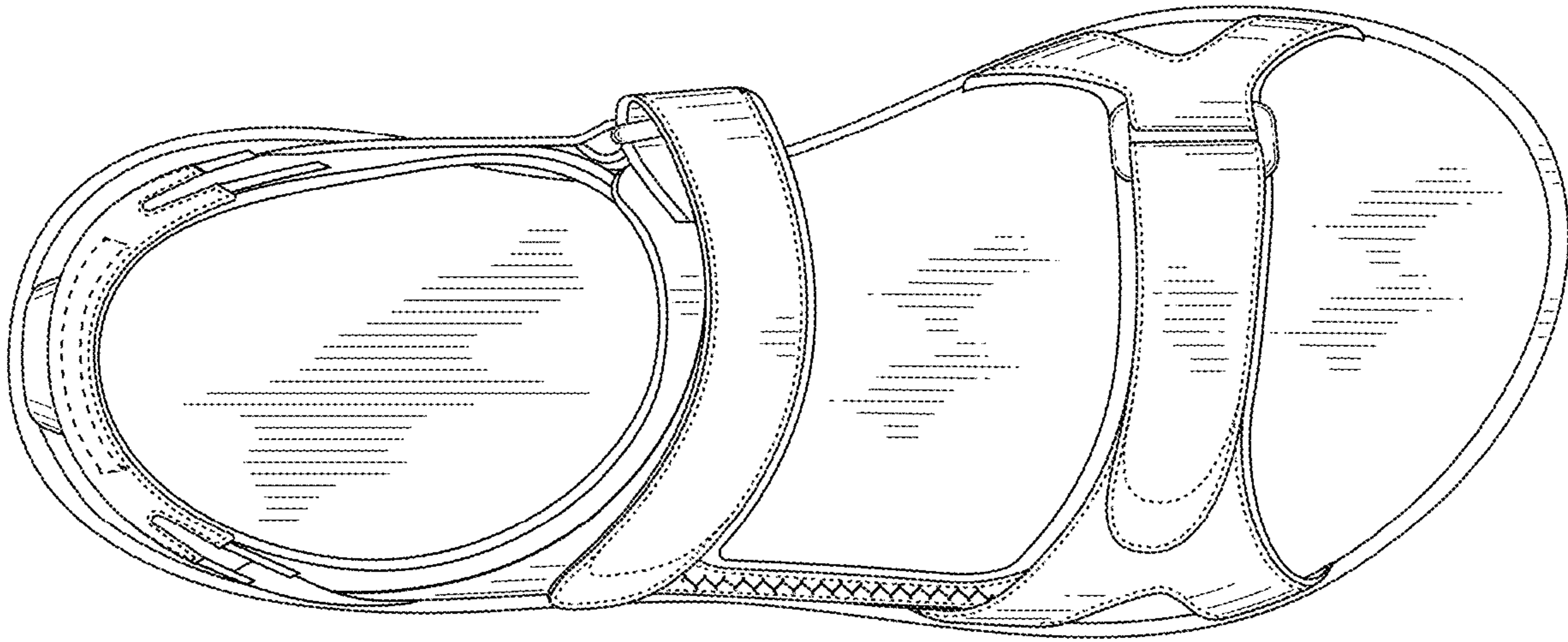


FIG. 6

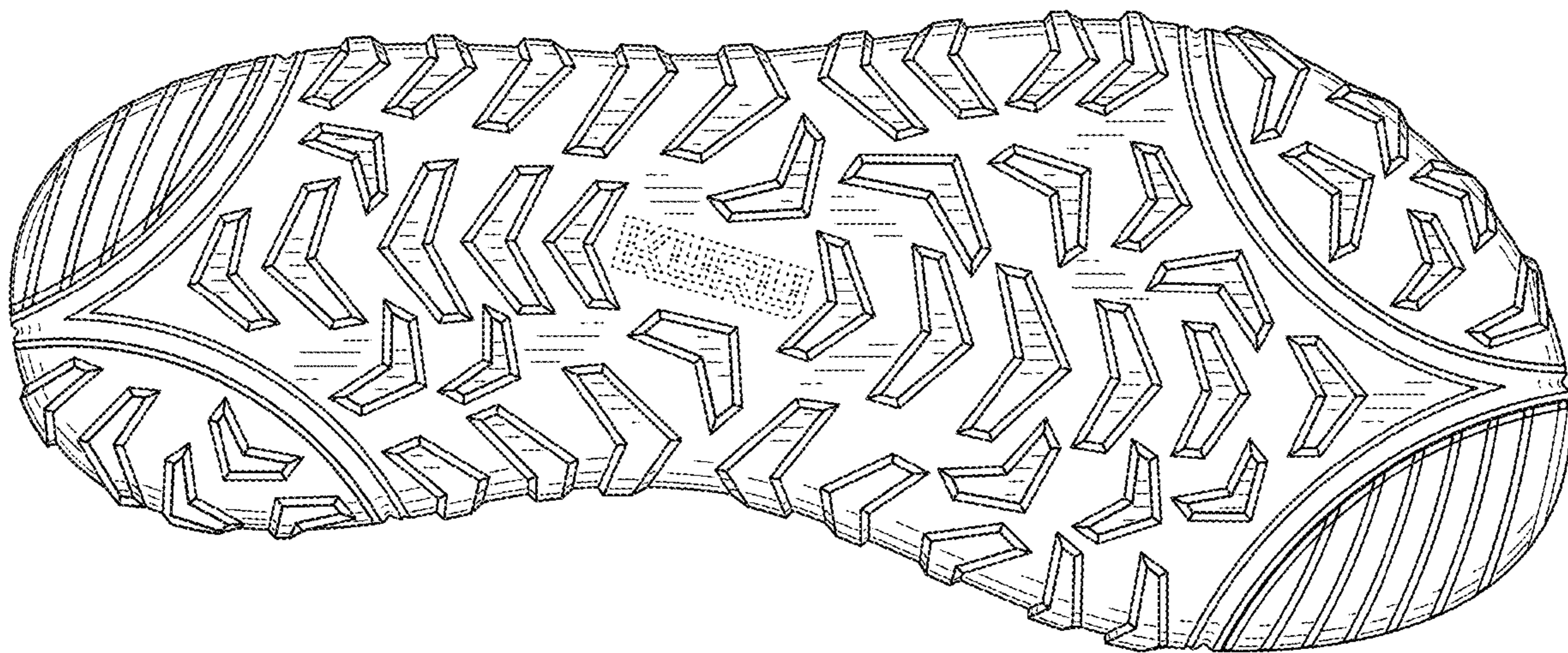


FIG. 7