



US00D989442S

(12) **United States Design Patent** (10) **Patent No.:** **US D989,442 S**
Beaulieu et al. (45) **Date of Patent:** **** Jun. 20, 2023**

(54) **GARMENT**

(71) Applicant: **LULULEMON ATHLETICA CANADA INC.**, Vancouver (CA)

(72) Inventors: **Michelle Alicia Rae Beaulieu**, Vancouver (CA); **Jessica Somaly Tep**, Vancouver (CA)

(73) Assignee: **LULULEMON ATHLETICA CANADA INC.**, Vancouver (CA)

(**) Term: **15 Years**

(21) Appl. No.: **29/856,625**

(22) Filed: **Oct. 14, 2022**

Related U.S. Application Data

(63) Continuation of application No. 29/765,375, filed on Jan. 7, 2021, now Pat. No. Des. 969,456.

(51) **LOC (14) Cl.** **02-02**

(52) **U.S. Cl.**
USPC **D2/750**

(58) **Field of Classification Search**
USPC D2/728, 750, 828-830, 840
CPC A41D 1/02; A41D 1/04; A41D 3/00
See application file for complete search history.

(56) **References Cited**

U.S. PATENT DOCUMENTS

D685,160 S	7/2013	Savage	
D781,027 S	3/2017	Zheng	
D787,160 S	5/2017	Crowe et al.	
D809,745 S	2/2018	Crowe et al.	
D892,436 S	8/2020	Francis	
D916,435 S	4/2021	Xiao et al.	
D955,697 S *	6/2022	Chen	D2/828
D969,456 S	11/2022	Beaulieu et al.	
D969,457 S *	11/2022	Monk	D2/750

2016/0150847 A1 6/2016 Johnson
2018/0343941 A1 12/2018 Arnold et al.
2019/0289936 A1 9/2019 Hourani
(Continued)

OTHER PUBLICATIONS

Burton Men's Frostner Anorak Jacket , reviewed 2023 [online], (retrieved Jan. 23, 2023). Retrieved from the internet, <https://www.dickssportinggoods.com/p/burton-mens-frostner-anorak-jacket-21brtmmsfrstnrnrapo/21brtmmsfrstnrnrapo> (Year: 2023).*

(Continued)

Primary Examiner — Kevin K Rudzinski

Assistant Examiner — J. Thorn, Sr.

(74) *Attorney, Agent, or Firm* — Conneely PC; Joseph Conneely

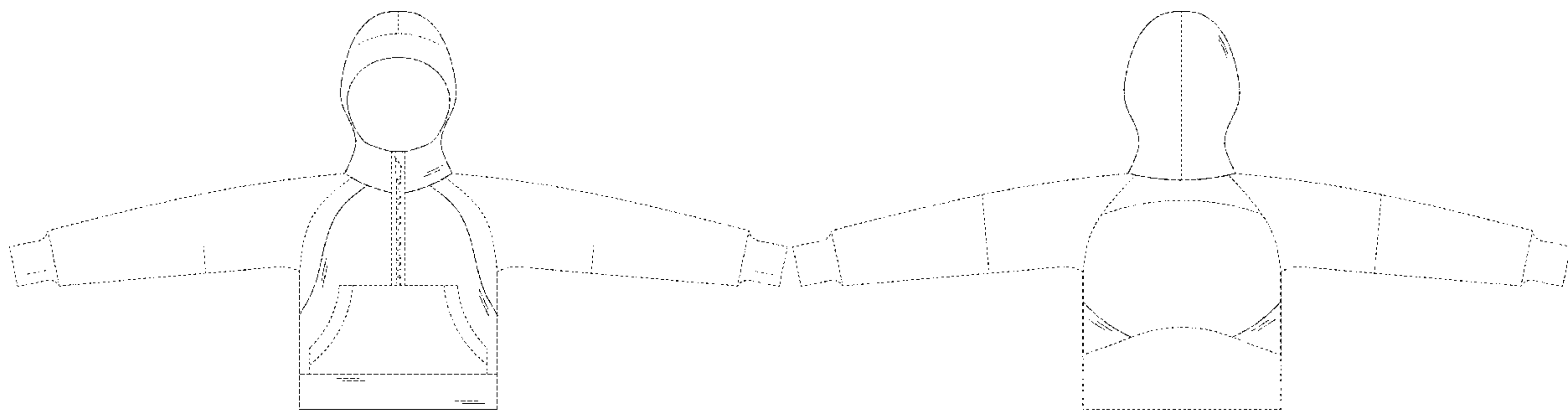
(57) **CLAIM**

The ornamental design for a garment, as shown and described.

DESCRIPTION

FIG. 1 is a front view of a garment according to the design; FIG. 2 is a rear view thereof; FIG. 3 is a right side view thereof; FIG. 4 is a left side view thereof; FIG. 5 is a front perspective view thereof; FIG. 6 is a rear perspective view thereof; FIG. 7 is a front view thereof shown in an environment of use; and, FIG. 8 is a rear view thereof shown in an environment of use. The portions of the garment shown in broken lines in FIGS. 1-8 do not form part of the claimed design. The broken line showing of the hands, legs, torso, and head in FIG. 7 and of the hands, legs, and torso in FIG. 8 is for the purpose of illustrating portions of the environmental structure and forms no part of the claimed design.

1 Claim, 8 Drawing Sheets



(56)

References Cited

U.S. PATENT DOCUMENTS

2021/0052022 A1 2/2021 George et al.
2021/0106080 A1* 4/2021 Stangeland D01D 5/20

OTHER PUBLICATIONS

Scuba Oversized Half-Zip Hoodie, reviewed 2021 [online], (retrieved Jun. 29, 2021). Retrieved from the Internet, https://shop.lululemon.com/p/womens-outerwear/Scuba-Oversized-12-Zip-Hoodie/_/prod9960807?color=44629 (Year: 2021).

* cited by examiner

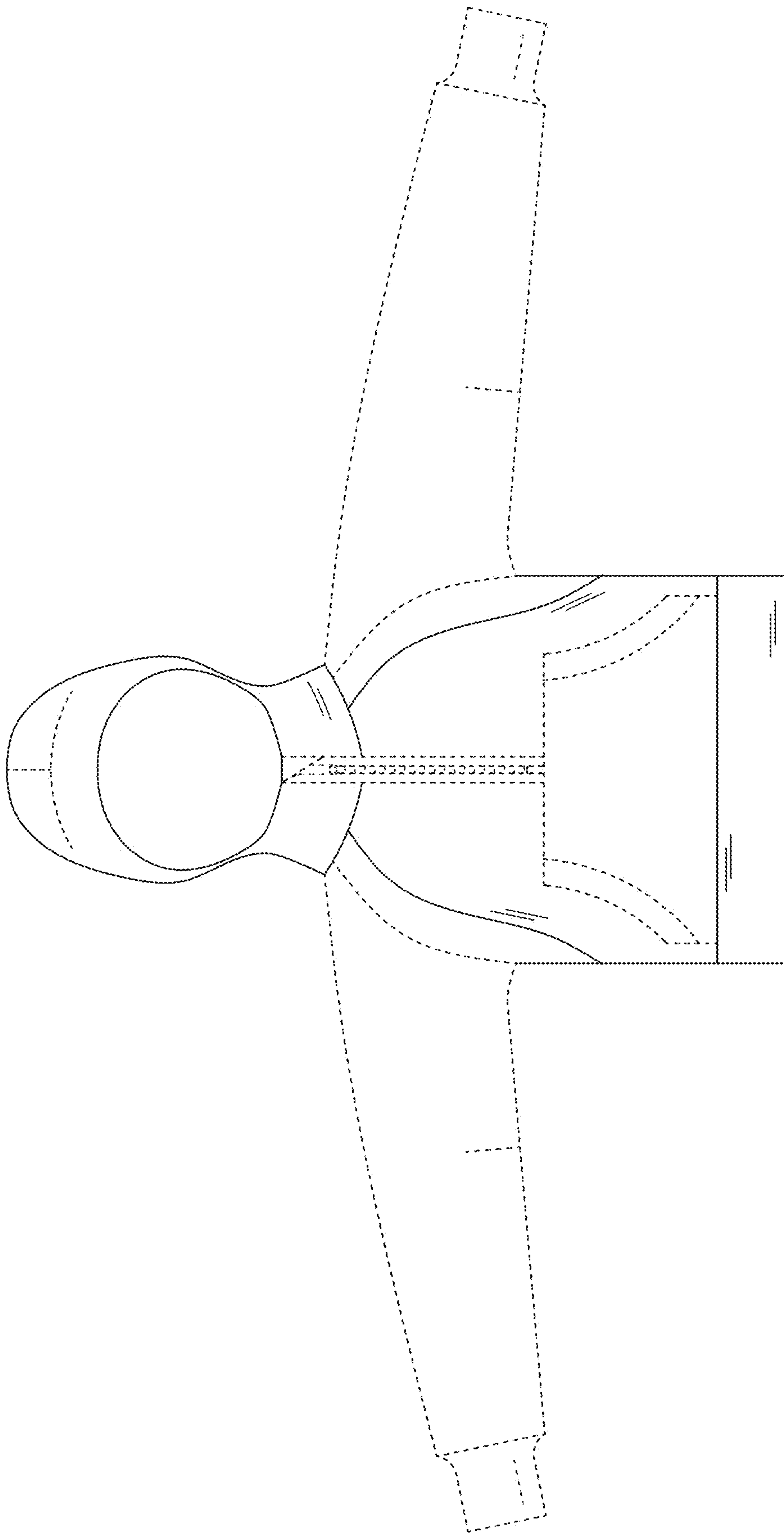


FIG. 1

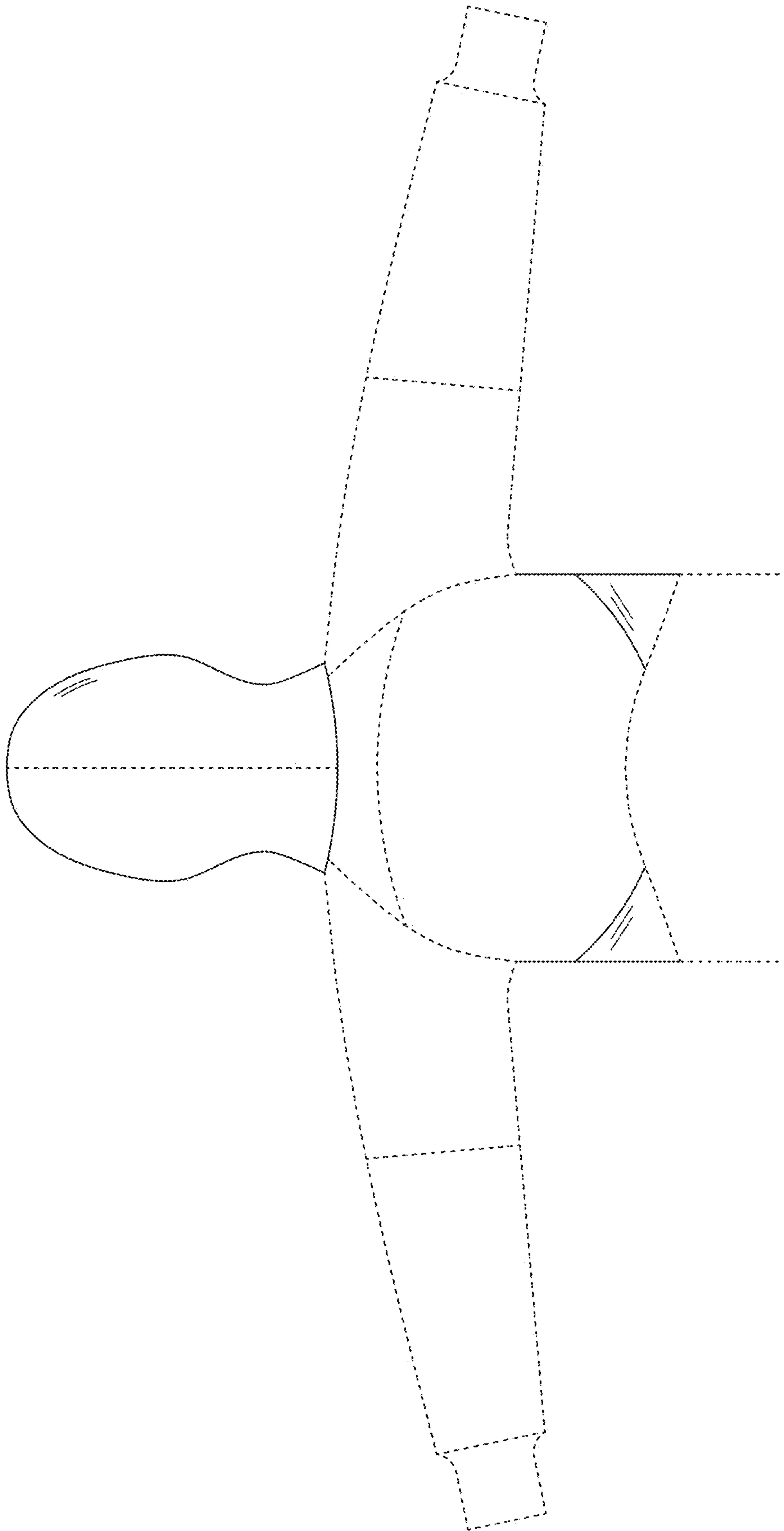


FIG. 2

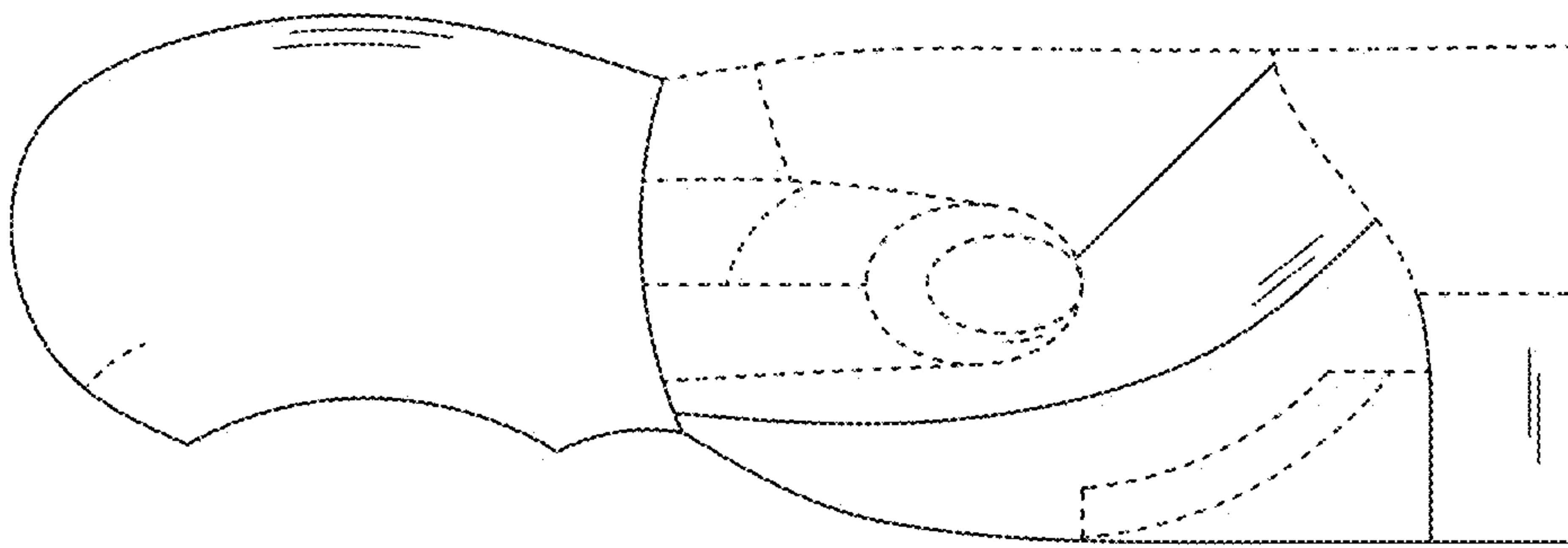


FIG. 3

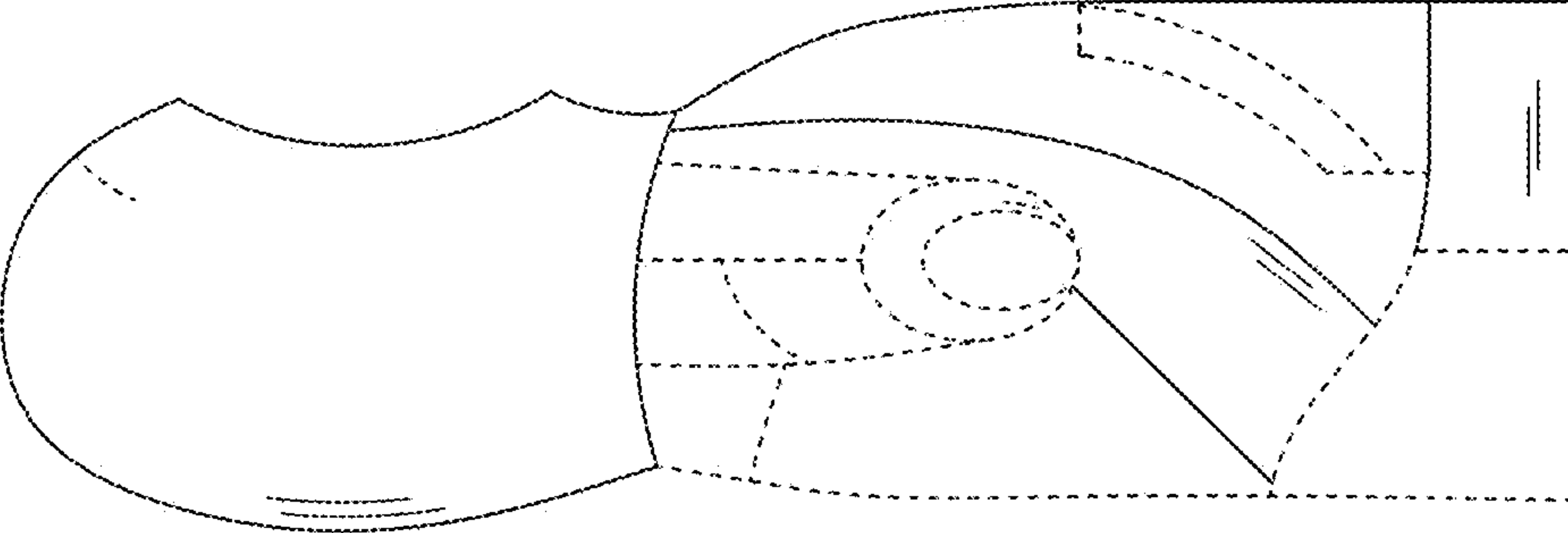


FIG. 4

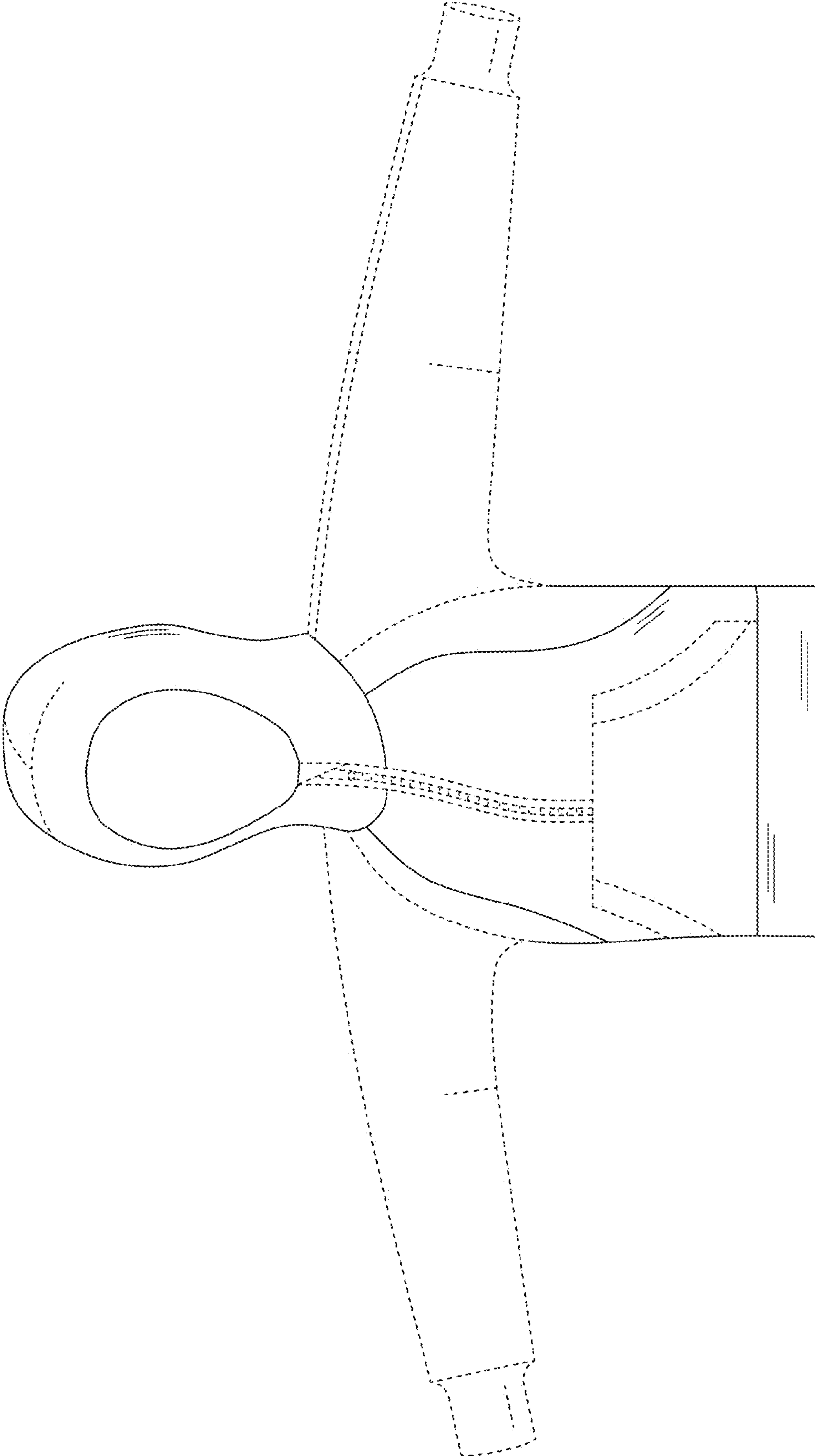


FIG. 5

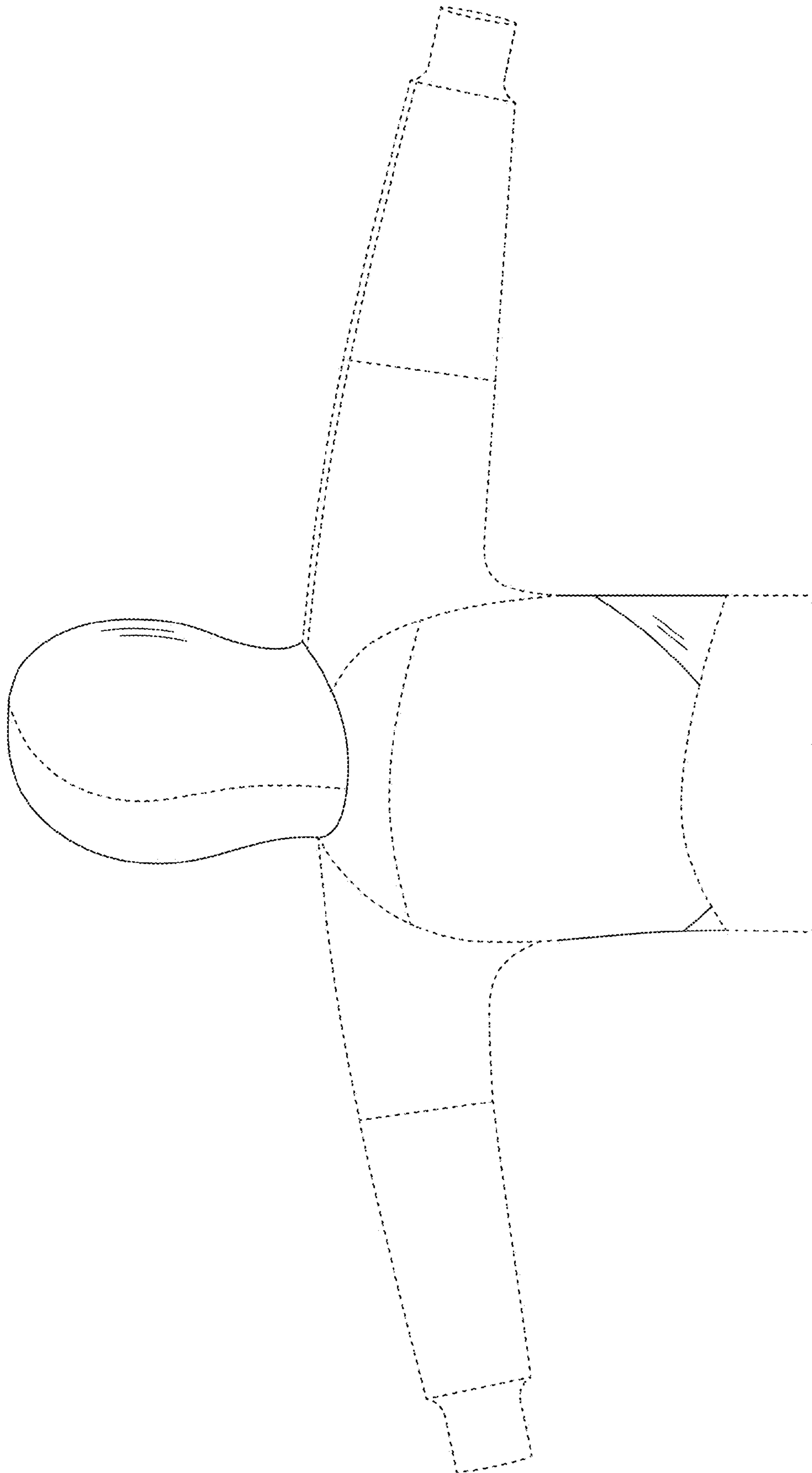


FIG. 6

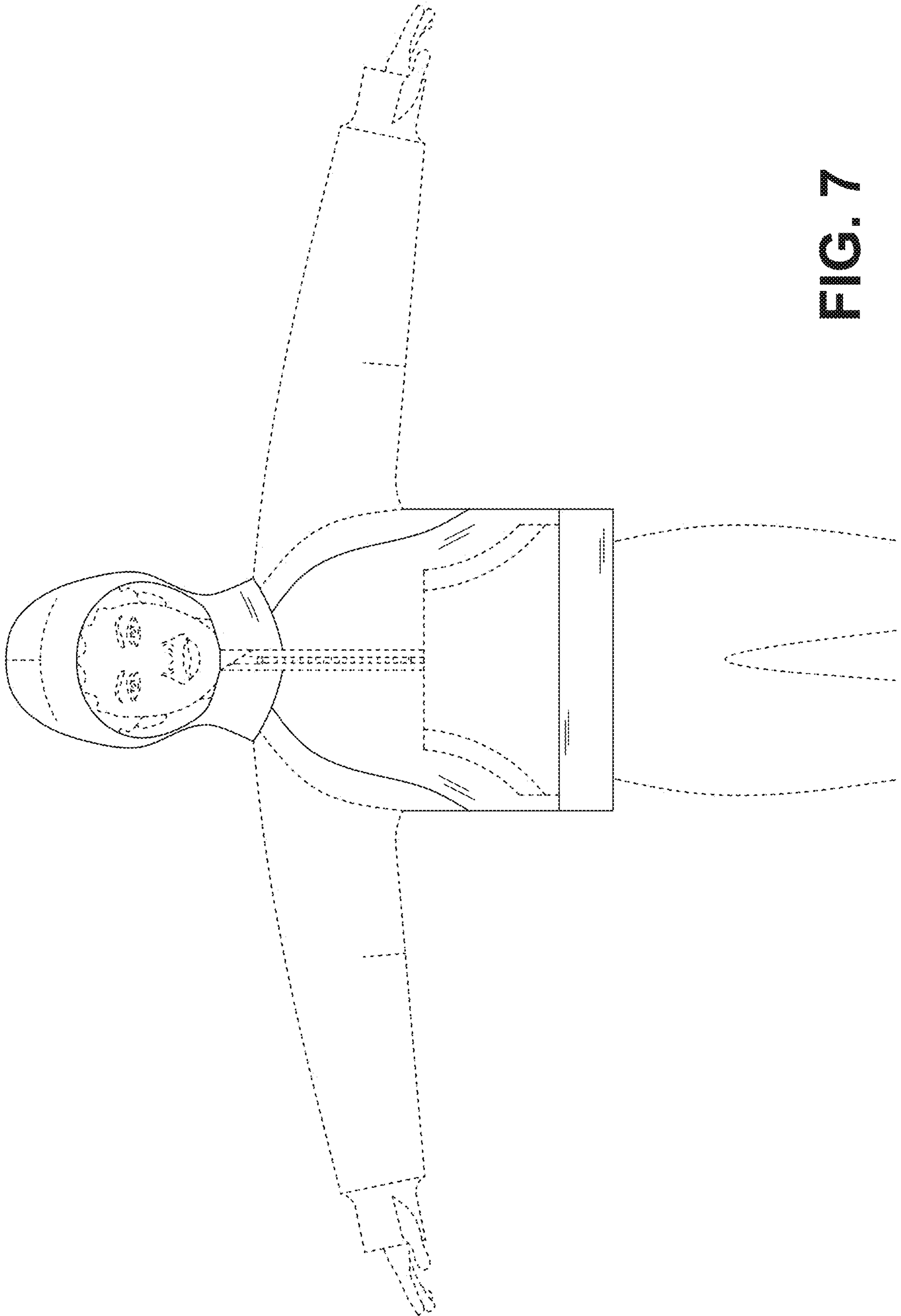


FIG. 7

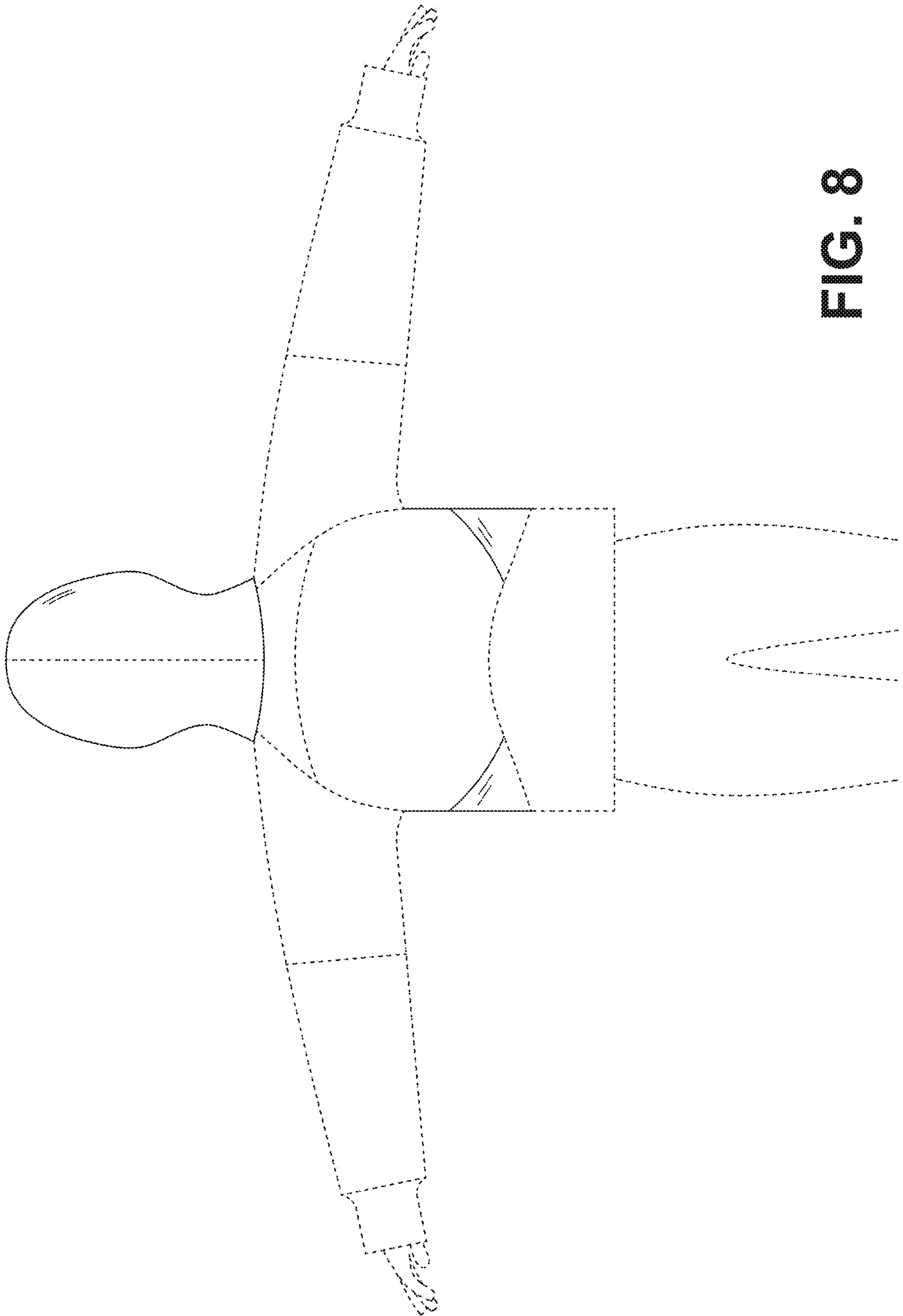


FIG. 8