



US00D989437S

(12) **United States Design Patent** (10) **Patent No.:** **US D989,437 S**  
**Conejo Castaño et al.** (45) **Date of Patent:** **\*\* Jun. 13, 2023**

(54) **SLING BAR**

(71) Applicant: **Liko Research & Development AB**,  
Luleå (SE)

(72) Inventors: **Alejandro Noe Conejo Castaño**,  
Batesville, IN (US); **Todd P. O'Neal**,  
Fairfield, OH (US); **Christian H.**  
**Reinke**, York, SC (US); **Scott M.**  
**Corbin**, Sunman, IN (US)

(73) Assignee: **LIKO RESEARCH &**  
**DEVELOPMENT AB**, Luleå (SE)

(\*\*) Term: **15 Years**

(21) Appl. No.: **29/777,436**

(22) Filed: **Apr. 6, 2021**

(51) **LOC (14) Cl.** ..... **12-05**

(52) **U.S. Cl.**  
USPC ..... **D34/35**

(58) **Field of Classification Search**  
USPC ..... D34/28, 35; D8/358, 360; D21/673,  
D21/679, 682

(Continued)

(56) **References Cited**

**U.S. PATENT DOCUMENTS**

2,020,174 A 11/1935 Derossi  
3,435,999 A 4/1969 Mantell  
(Continued)

**FOREIGN PATENT DOCUMENTS**

AU 2008101113 B4 5/2014  
CN 208626072 U 3/2019  
(Continued)

**OTHER PUBLICATIONS**

rehabmart.com, retrieved on Jan. 5, 2022, two-point aluminum sling  
bar for romedic patient lift slings, [https://www.rehabmart.com/  
product/romedic-slingbar1-35921.html](https://www.rehabmart.com/product/romedic-slingbar1-35921.html) (Year: 2022).\*

(Continued)

*Primary Examiner* — Cynthia Ramirez

(74) *Attorney, Agent, or Firm* — Dinsmore & Shohl LLP

(57) **CLAIM**

The ornamental design for a sling bar, as shown and  
described.

**DESCRIPTION**

FIG. 1 is a perspective view of a first embodiment including  
a front, top, and side of a sling bar;  
FIG. 2 a perspective view of the first embodiment including  
a rear, bottom, and side of the sling bar;  
FIG. 3 is a front elevation view of the sling bar;  
FIG. 4 is a rear elevation view of the sling bar;  
FIG. 5 is a side elevation view of the sling bar;  
FIG. 6 is an opposite side elevation view of the sling bar;  
FIG. 7 is a top plan view of the sling bar;  
FIG. 8 is a bottom plan view of the sling bar;  
FIG. 9 is a perspective view of a second embodiment  
including a front, top, and side of a sling bar;  
FIG. 10 a perspective view of the second embodiment  
including a rear, bottom, and side of the sling bar;  
FIG. 11 is a front elevation view of the sling bar;  
FIG. 12 is a rear elevation view of the sling bar;  
FIG. 13 is a side elevation view of the sling bar;  
FIG. 14 is an opposite side elevation view of the sling bar;  
FIG. 15 is a top plan view of the sling bar;  
FIG. 16 is a bottom plan view of the sling bar;  
FIG. 17 is a perspective view of a third embodiment  
including a front, top, and side of a sling bar;  
FIG. 18 a perspective view of the third embodiment includ-  
ing a rear, bottom, and side of the sling bar;  
FIG. 19 is a front elevation view of the sling bar;  
FIG. 20 is a rear elevation view of the sling bar;  
FIG. 21 is a side elevation view of the sling bar;  
FIG. 22 is an opposite side elevation view of the sling bar;

(Continued)

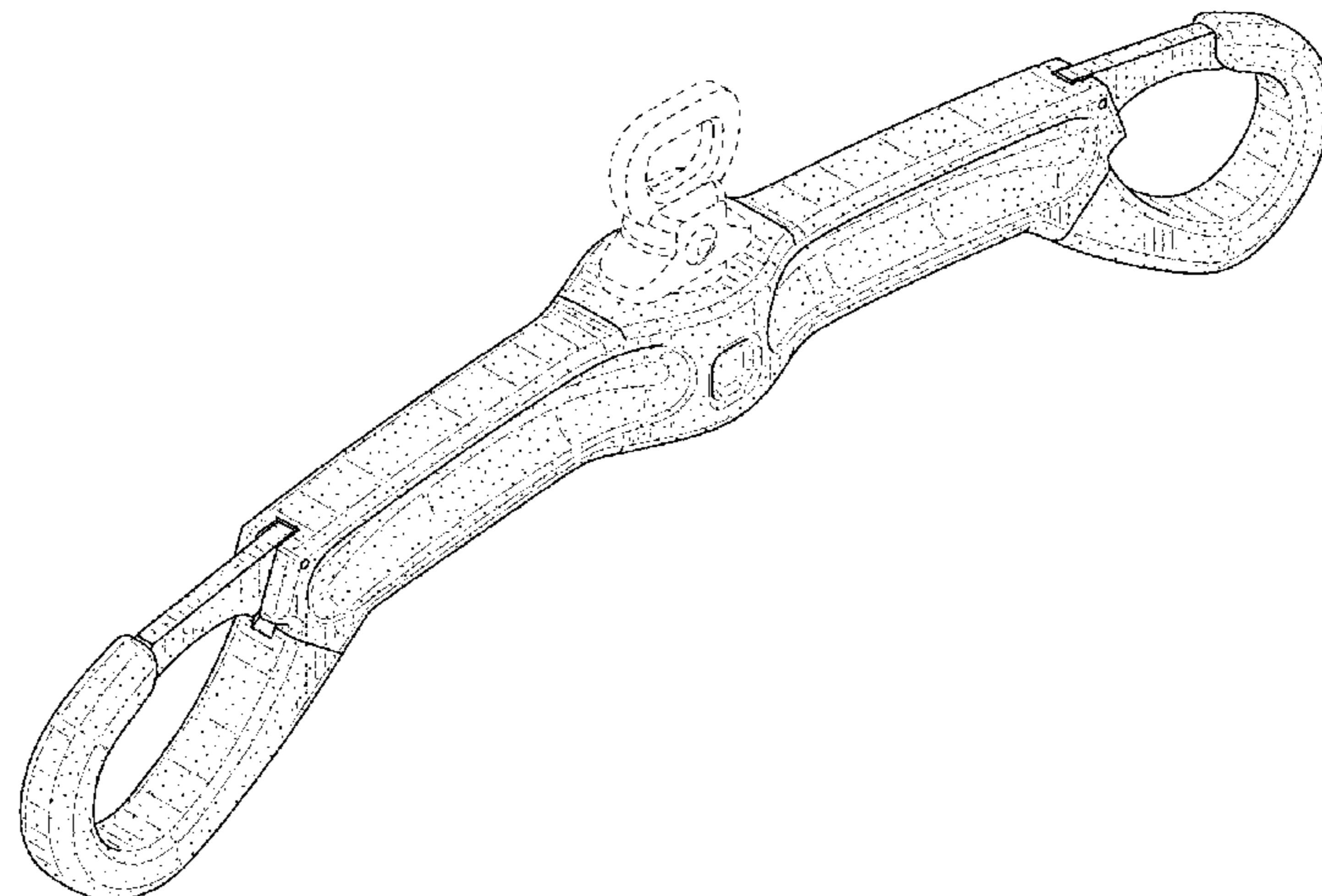


FIG. 23 is a top plan view of the sling bar; and, FIG. 24 is a bottom plan view of the sling bar. The dashed broken lines throughout the figures depict portions of the sling bar that form no part of the claimed design. The stipple pattern in the figures is indicative of a contrast in materials.

**1 Claim, 15 Drawing Sheets**

(58) **Field of Classification Search**

CPC ..... B66C 1/422; B66C 1/442; B66F 13/00; B66F 7/02; B66F 7/28; B66F 9/072; A61G 7/1042; A61G 7/1051; A61G 7/1078; A61G 7/1061; A61G 7/1073

See application file for complete search history.

(56) **References Cited**

U.S. PATENT DOCUMENTS

3,463,369	A	8/1969	Moskowitz	
3,680,746	A	8/1972	Seckelmann	
3,972,553	A	8/1976	Johnston	
4,274,564	A	6/1981	Warmath	
4,556,158	A	12/1985	Blanchard et al.	
D297,878	S *	9/1988	Bergstrom	D8/382
4,826,228	A	5/1989	Dinitz et al.	
5,350,092	A	9/1994	Hollis	
D451,658	S *	12/2001	Czemerer	D34/28
6,523,195	B1	2/2003	Rodier et al.	
6,675,412	B2	1/2004	Faucher et al.	
7,284,745	B2	10/2007	Keane et al.	
7,341,506	B1	3/2008	Hogue	
7,434,787	B2	10/2008	Hjort	
7,654,593	B2	2/2010	Hjort	
7,802,328	B2	9/2010	Lingegard	
7,896,416	B2	3/2011	Carter	
D685,974	S *	7/2013	Price	D34/28
8,844,904	B2	9/2014	Bogh-Sorensen	
D728,039	S *	4/2015	Groshek	D21/679
9,084,709	B2	7/2015	Karlsson et al.	
D744,714	S *	12/2015	Yamanaka	D34/28
9,222,498	B2	12/2015	Faucher et al.	

9,693,922	B2	7/2017	Andersson et al.	
9,700,474	B2	7/2017	Karlsson et al.	
9,757,297	B2	9/2017	Arespong et al.	
10,010,468	B2	7/2018	Duquette et al.	
D827,734	S *	9/2018	Exley	D21/673
D854,275	S	7/2019	Westwood et al.	
D869,937	S *	12/2019	Walker	D8/356
D893,122	S *	8/2020	Saeger	A61G 7/1061 34/356
10,799,409	B2	10/2020	Rydstrom et al.	
10,925,791	B2	2/2021	Chandan et al.	
D913,620	S *	3/2021	Hechler	B66C 1/16 D34/28
D963,983	S *	9/2022	Gebhardt	A61G 7/1015 D34/35
D971,545	S *	11/2022	Gardiner	D34/35
2006/0137091	A1 *	6/2006	Gramkow	A61G 7/1015 5/86.1
2008/0222859	A1	9/2008	Chepurny et al.	
2010/0043140	A1	2/2010	Chepurny	
2010/0270252	A1	10/2010	Chepurny et al.	
2011/0185495	A1	8/2011	Robert-Jones et al.	
2011/0219538	A1	9/2011	Mcwattie et al.	
2016/0184158	A1	6/2016	Tu	
2017/0027796	A1	2/2017	Kaikenger	
2018/0369044	A1	12/2018	Lyckestig et al.	
2020/0170864	A1 *	6/2020	Newman	A61G 7/10
2020/0360212	A1 *	11/2020	Chepurny	A61G 7/10
2021/0154070	A1 *	5/2021	Linde	A61G 7/1017
2021/0316964	A1 *	10/2021	Conejo Castaño	B66C 1/16
2022/0079824	A1 *	3/2022	Reinke	A61G 7/1042
2023/0000705	A1 *	1/2023	Owen	A61G 7/1078

FOREIGN PATENT DOCUMENTS

DE	202017005436	U1	12/2017
EP	3510987	A1	7/2019
WO	2019213785	A1	11/2019

OTHER PUBLICATIONS

Amico "Installation and Operation Instructions GoLift Patient Lift (400 lbs & 700 lbs)" Amico Mobility Solutions Corporation, Dec. 19, 2019, pp. 1-28.

\* cited by examiner

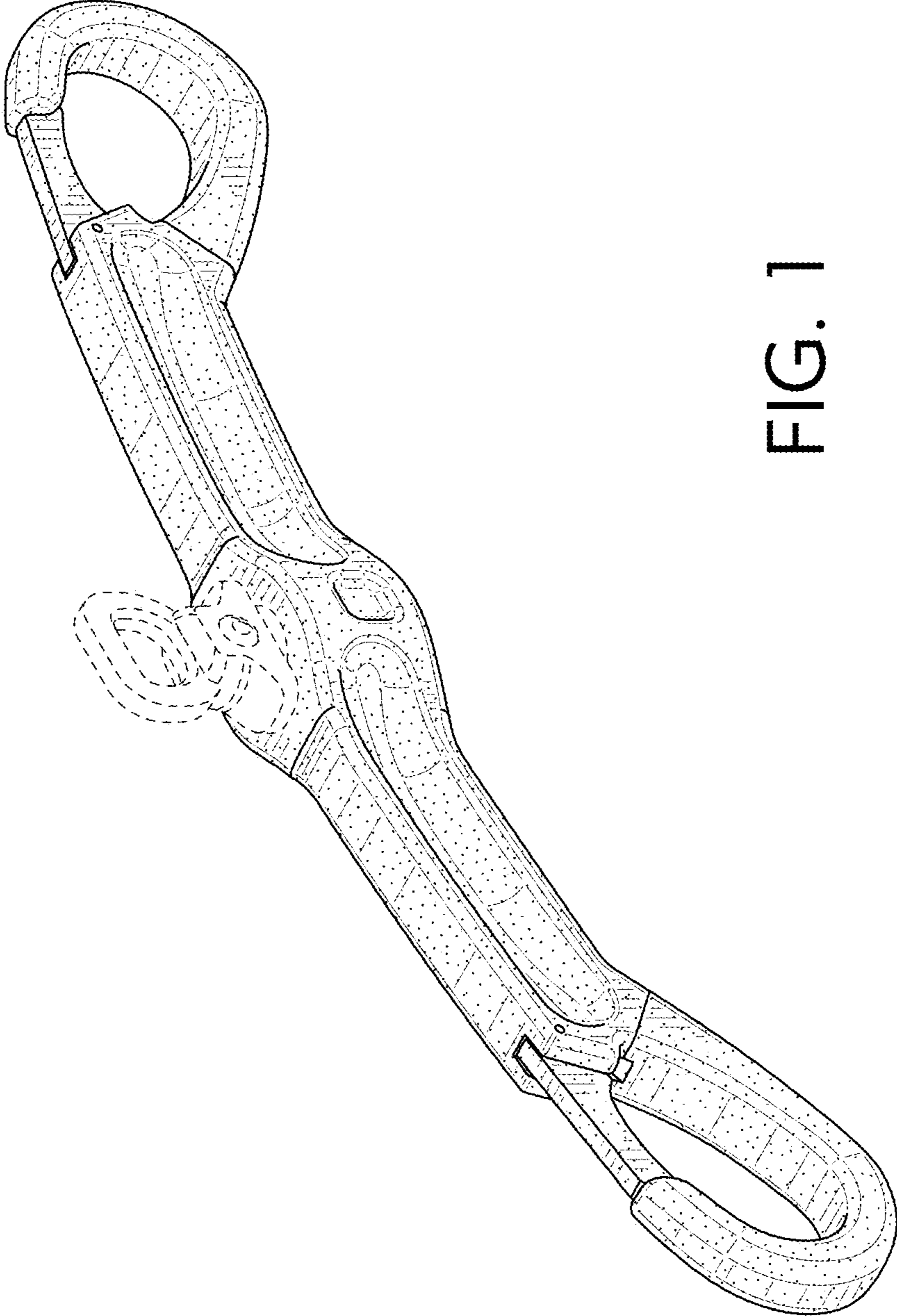


FIG. 1



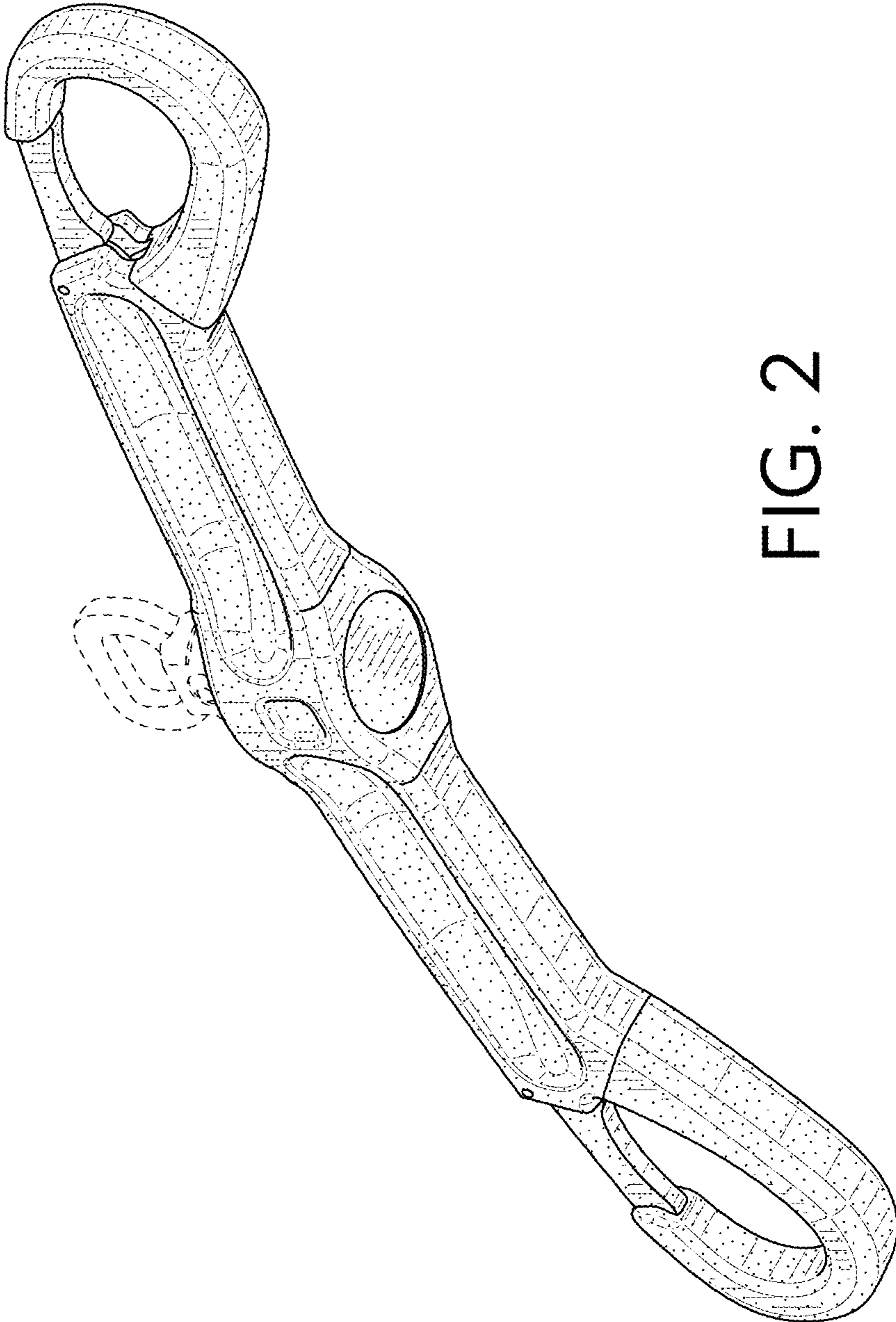


FIG. 2

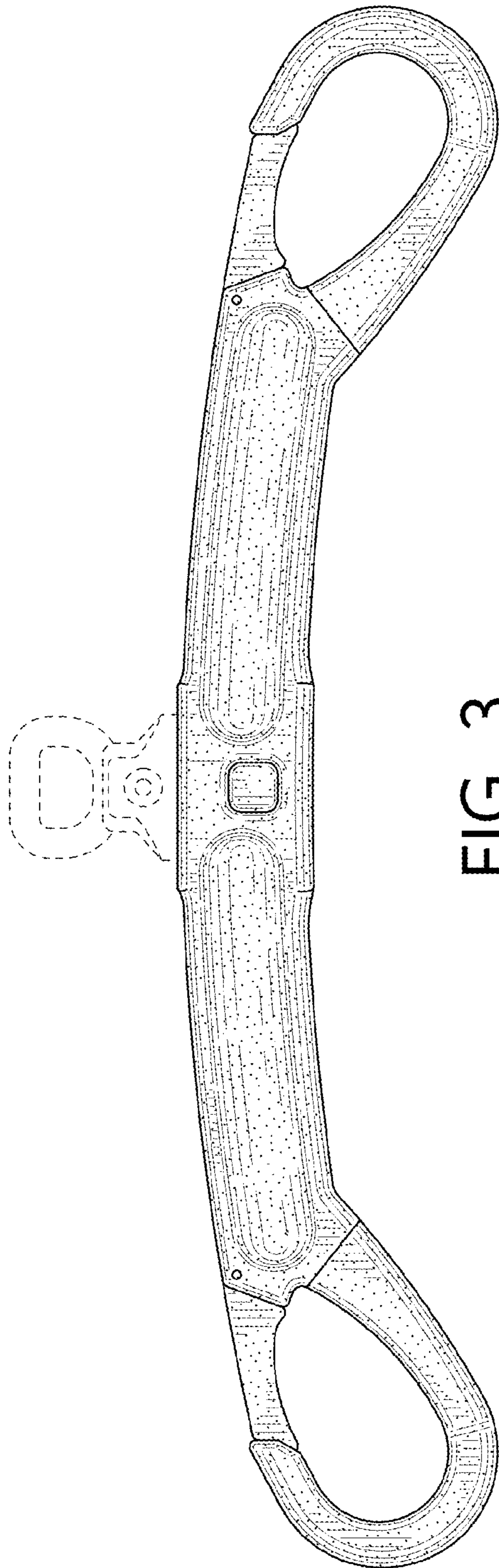


FIG. 3

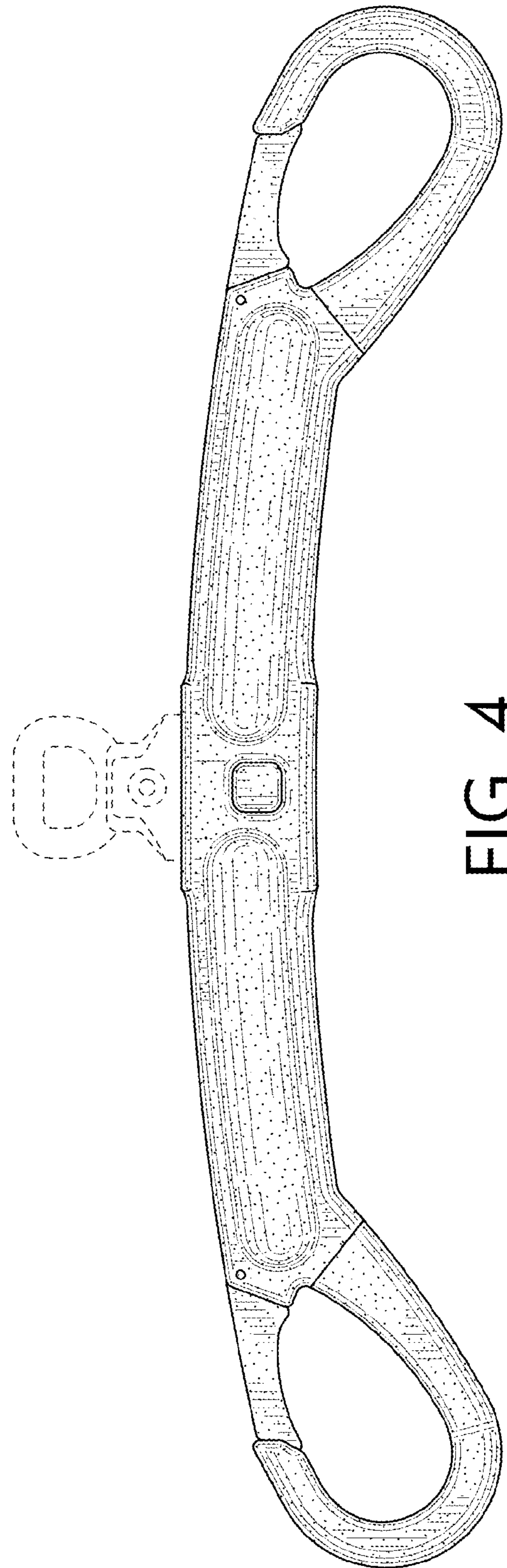


FIG. 4

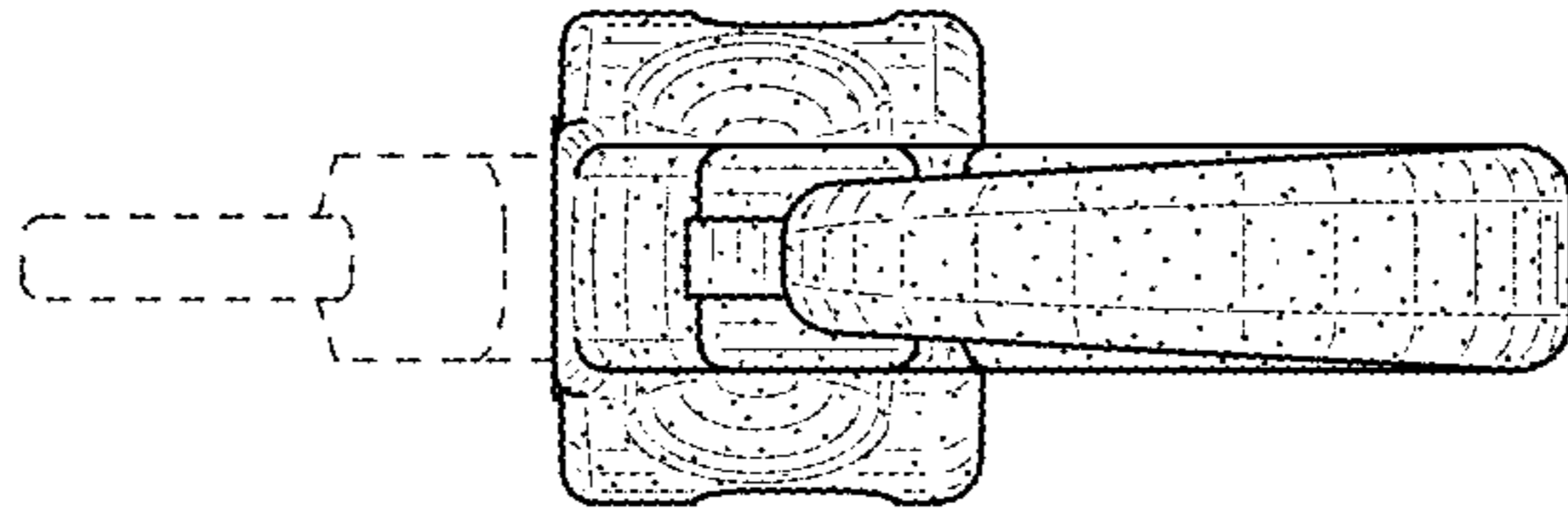


FIG. 6

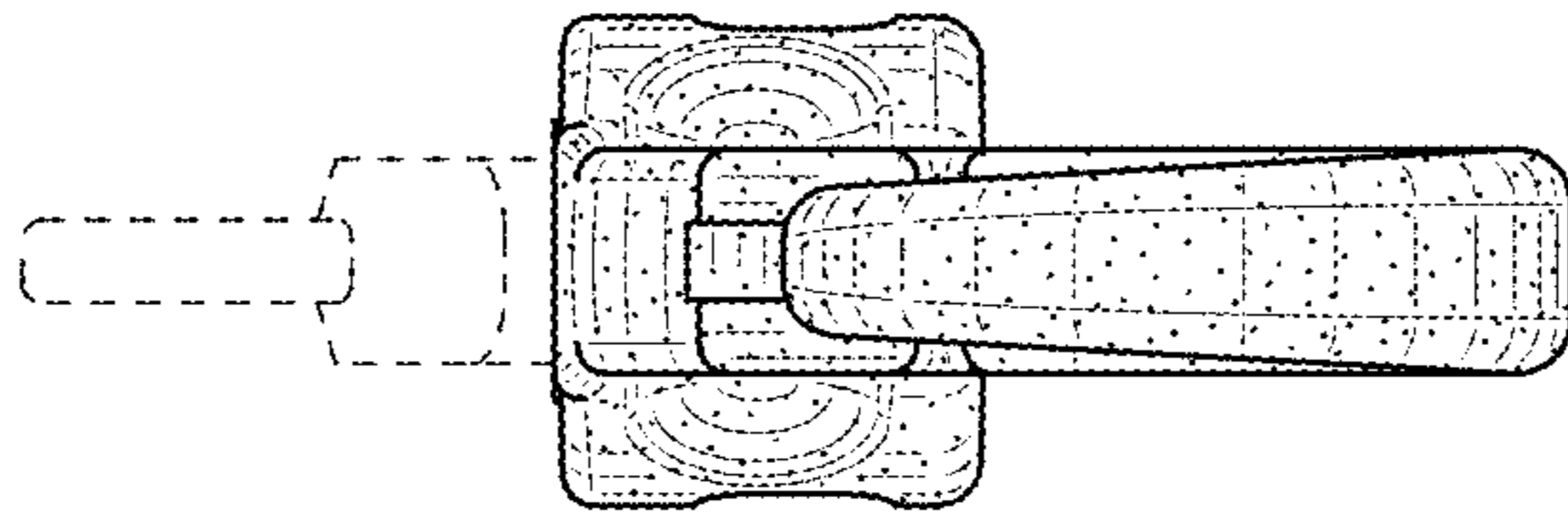


FIG. 5

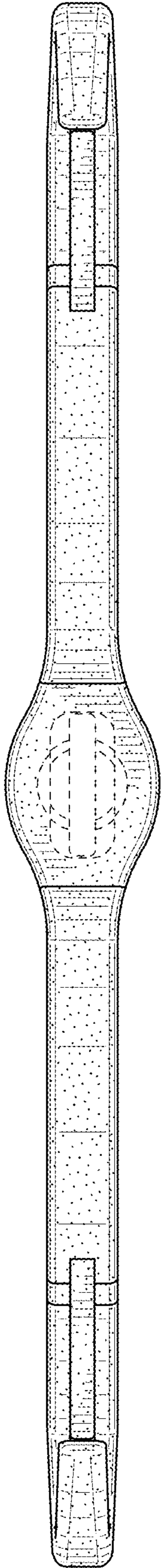


FIG. 7

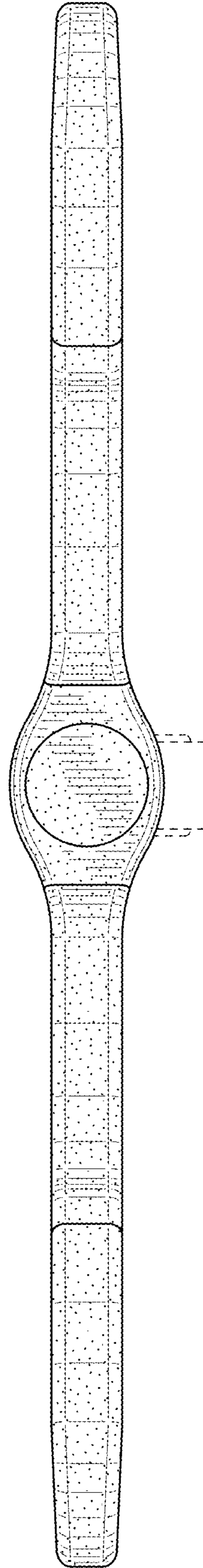


FIG. 8



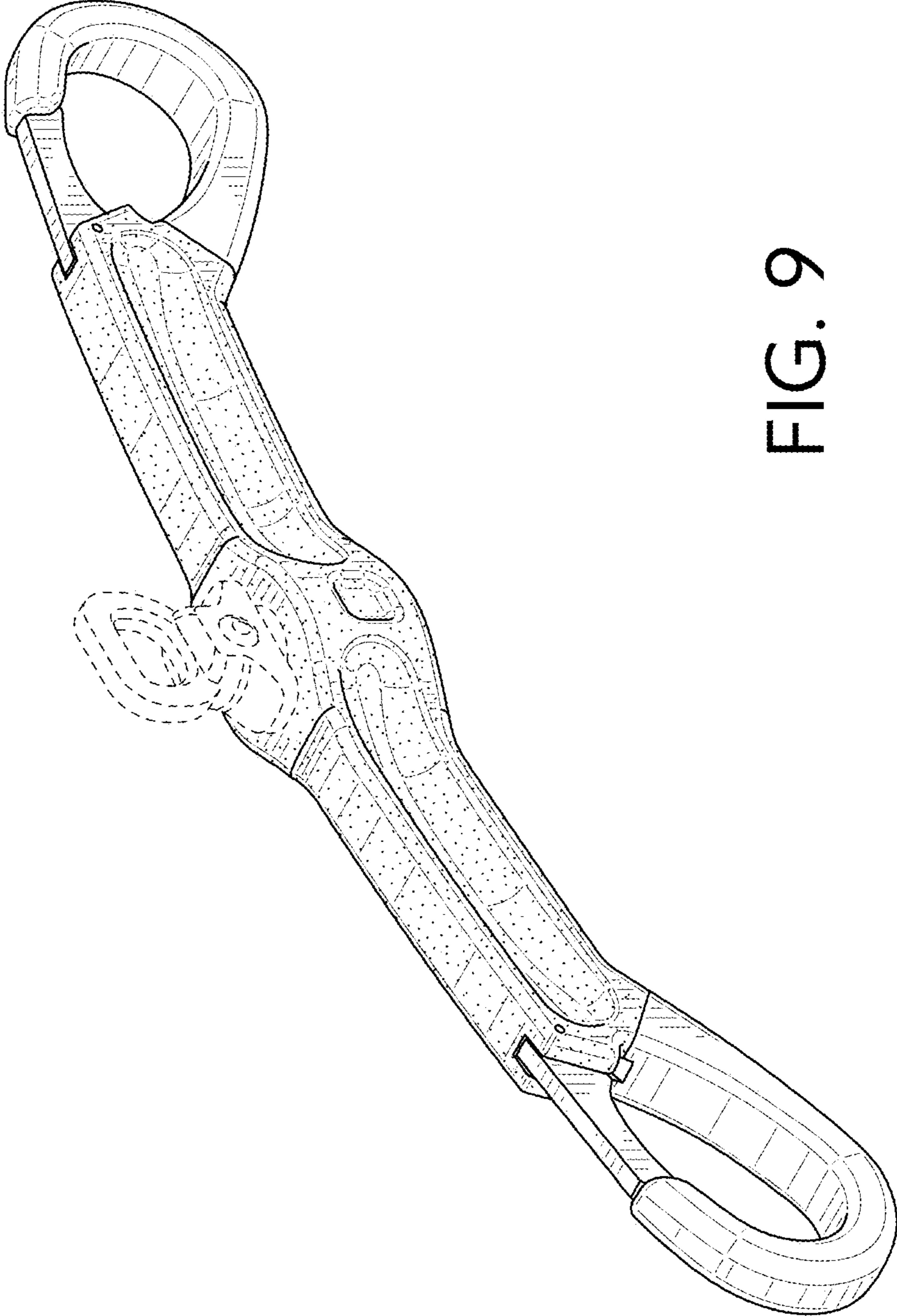


FIG. 9



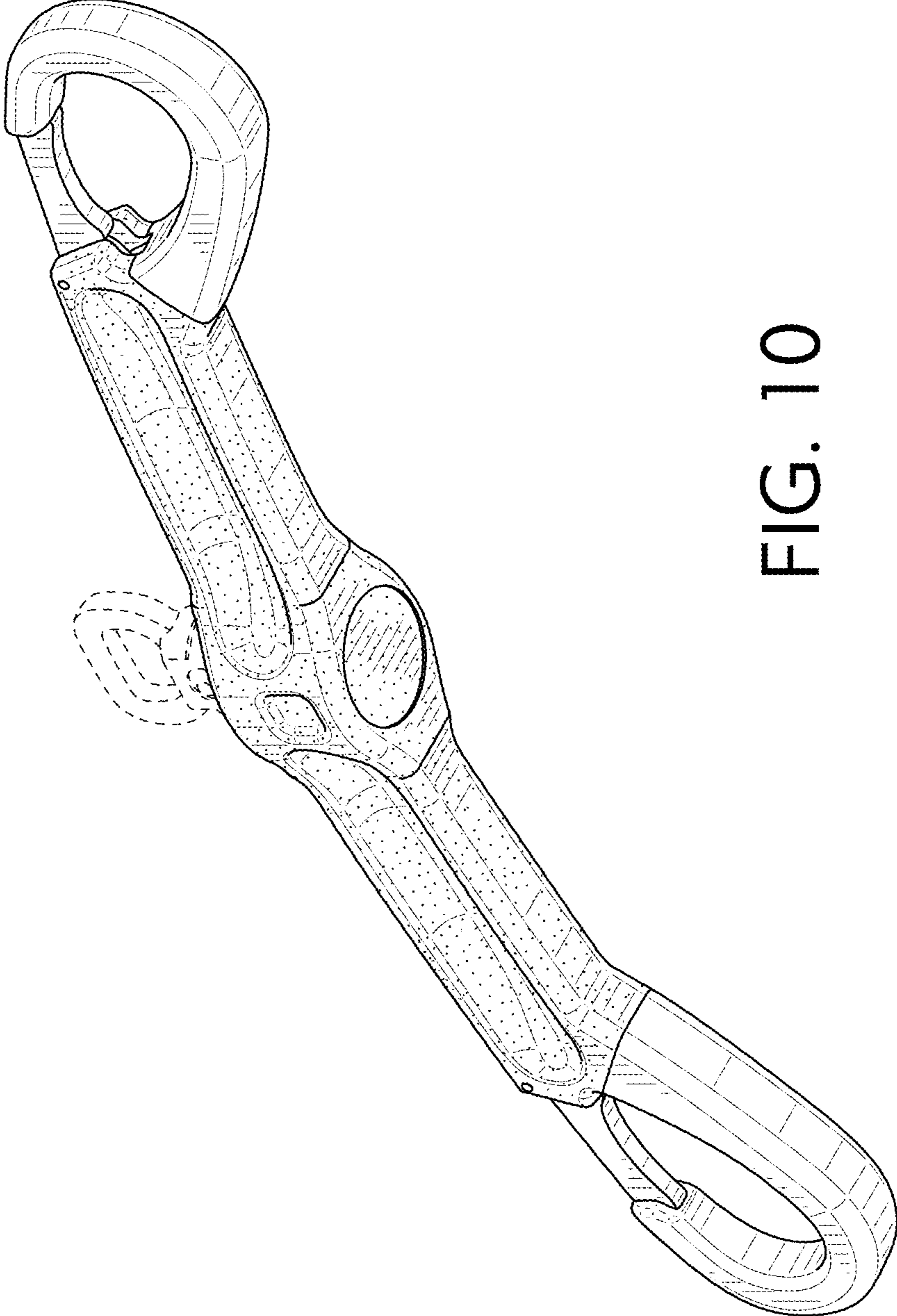


FIG. 10

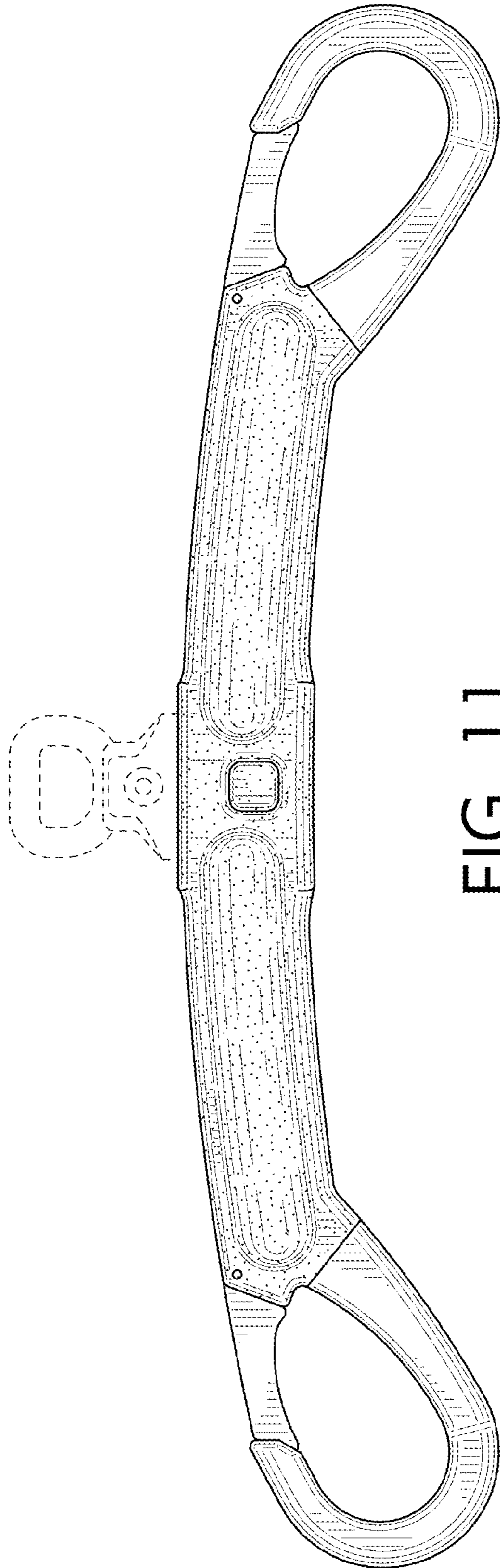


FIG. 11

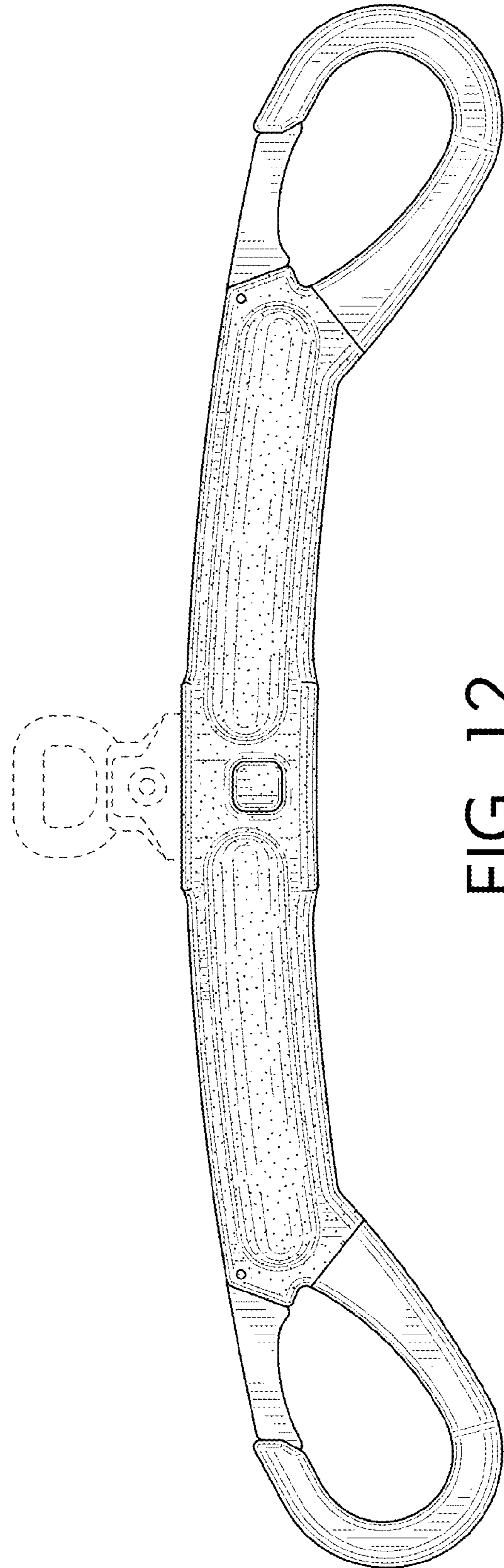


FIG. 12

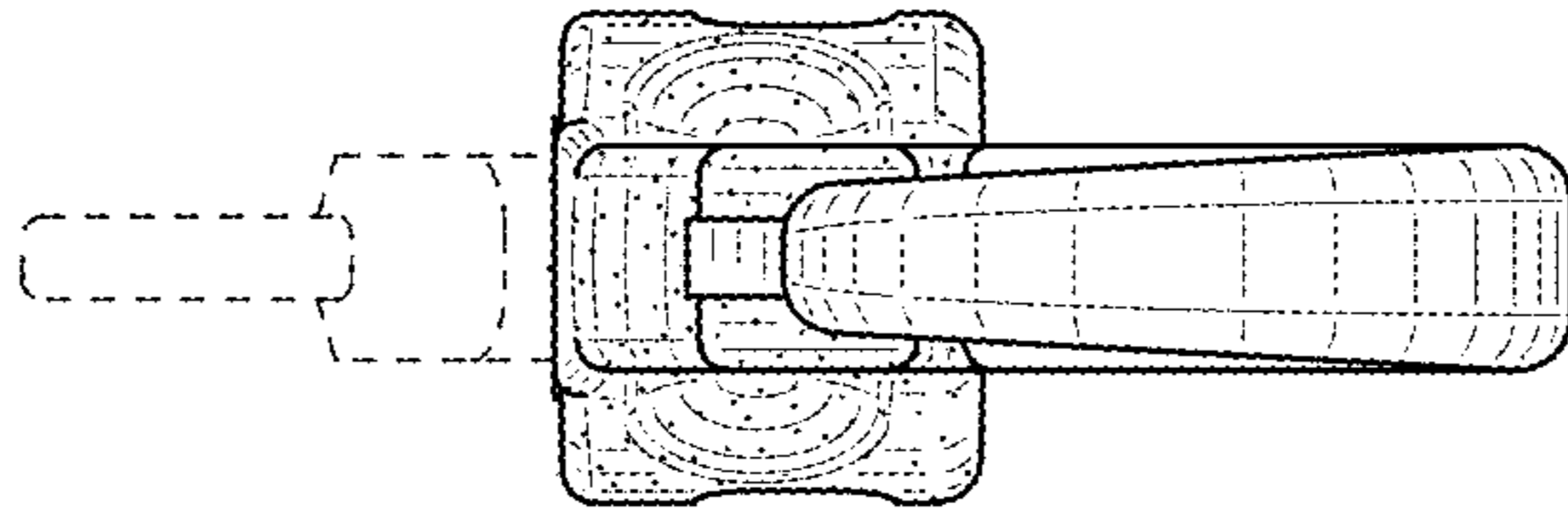


FIG. 14

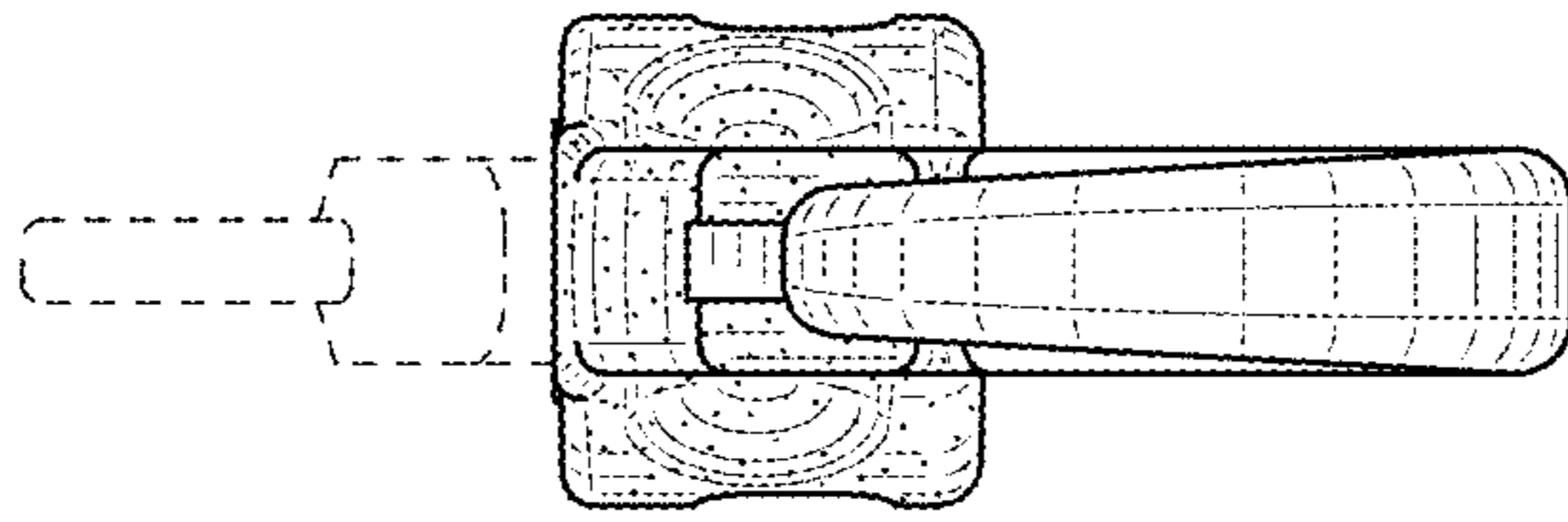


FIG. 13



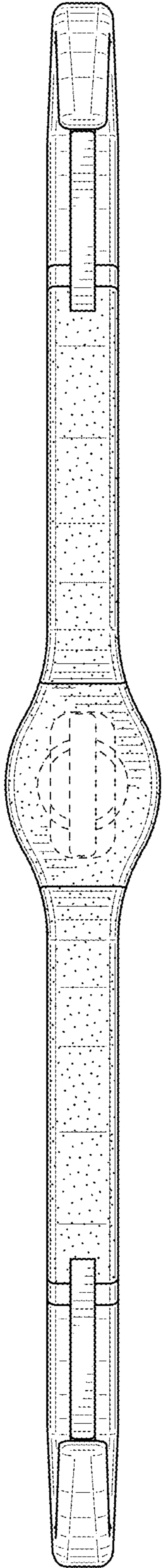


FIG. 15

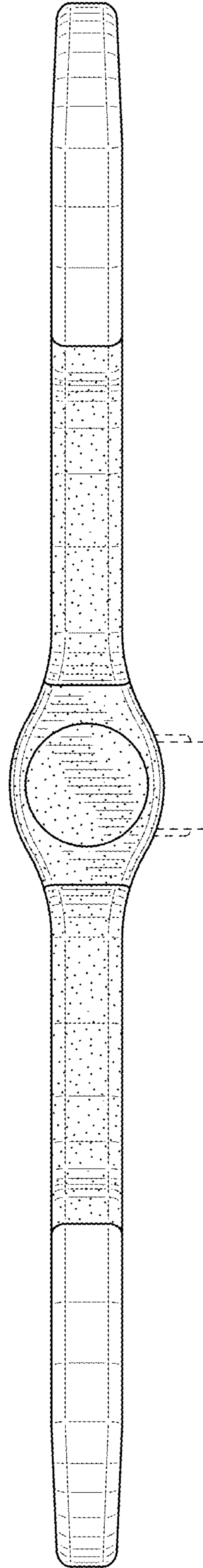


FIG. 16

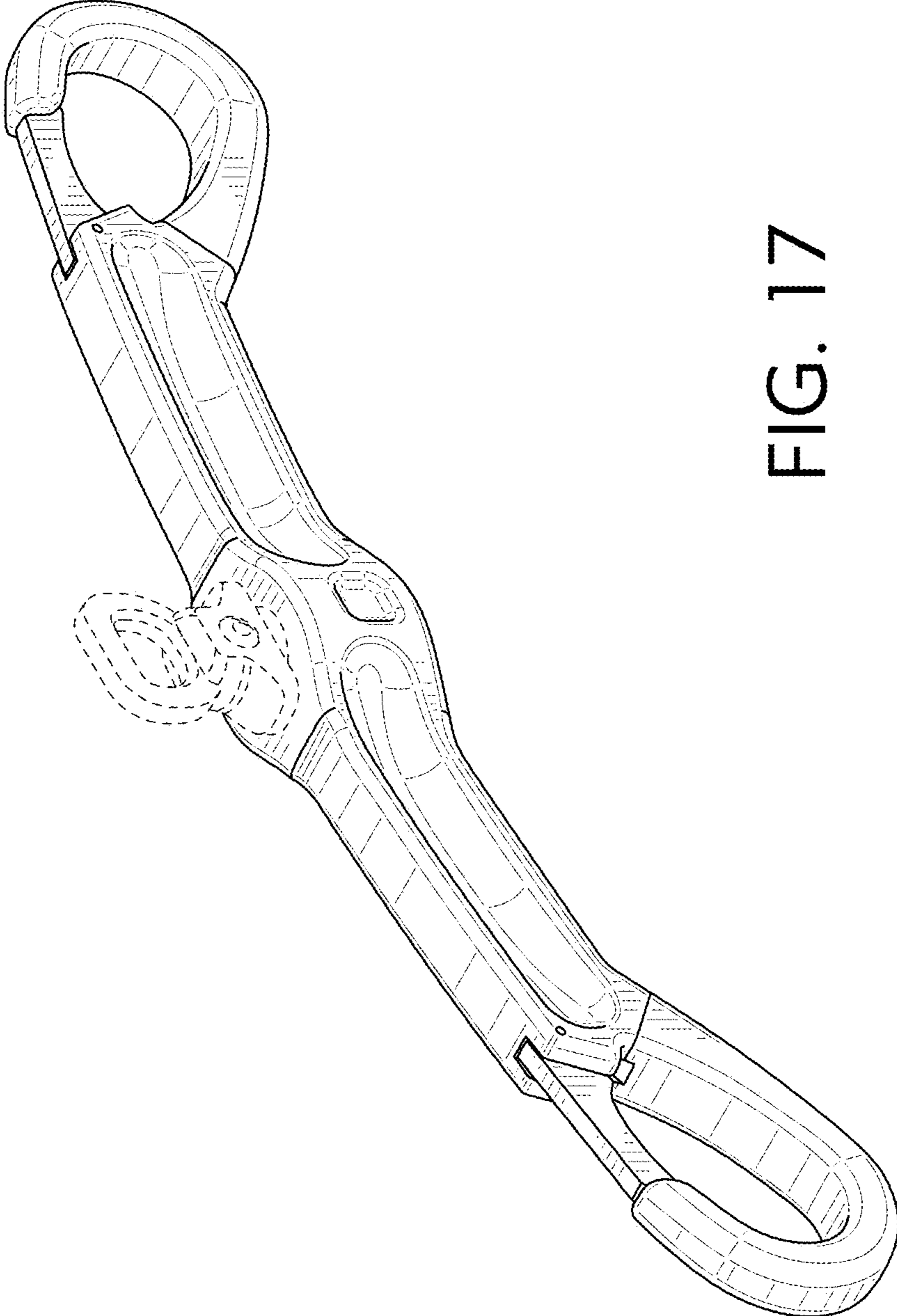


FIG. 17

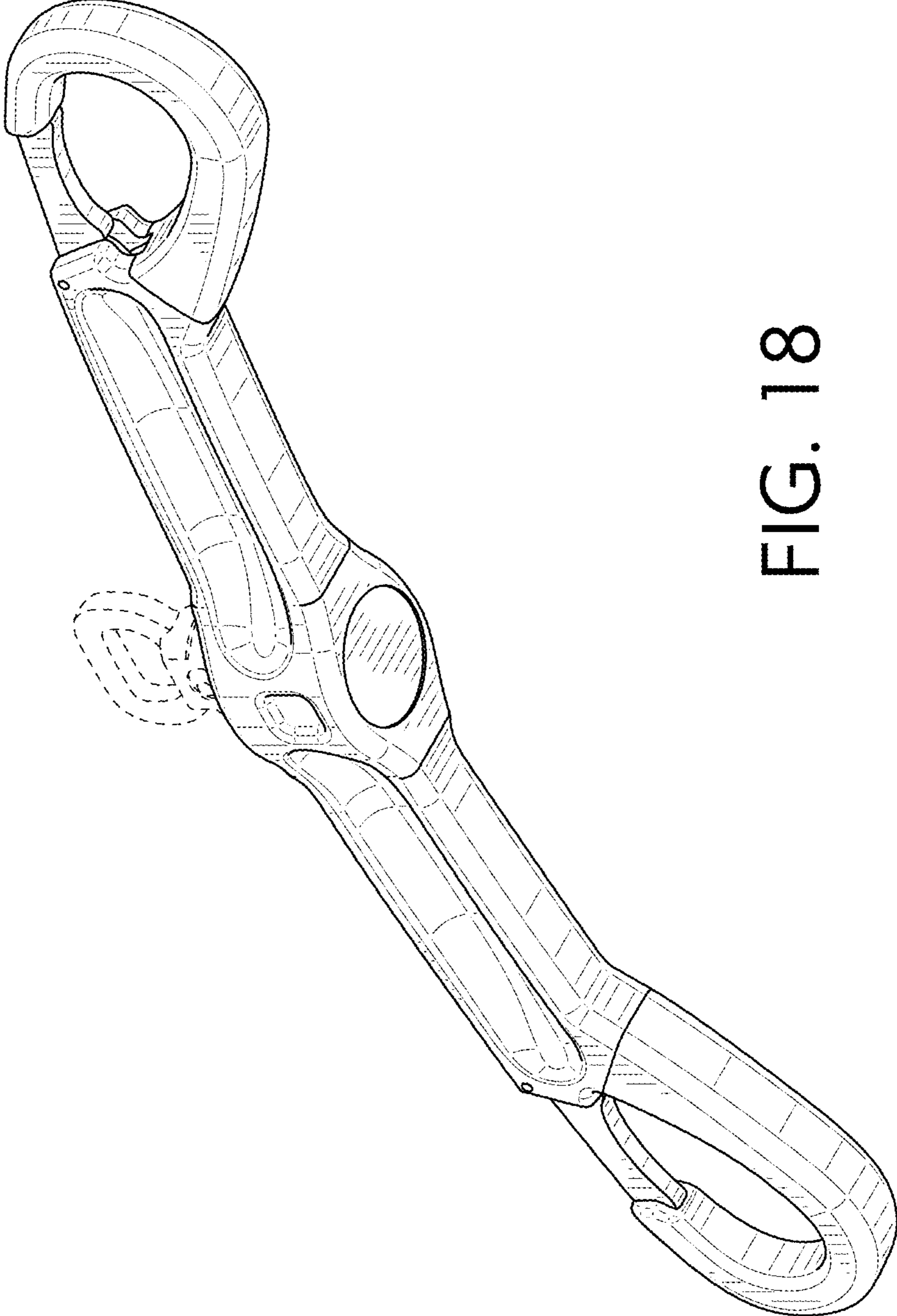


FIG. 18



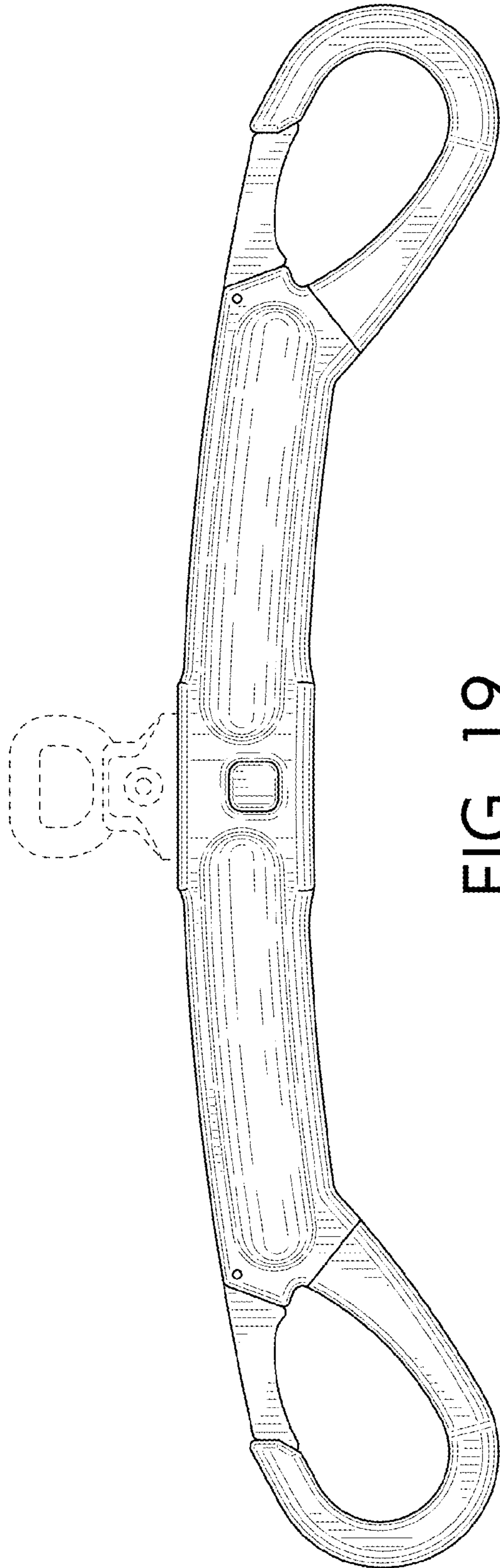


FIG. 19

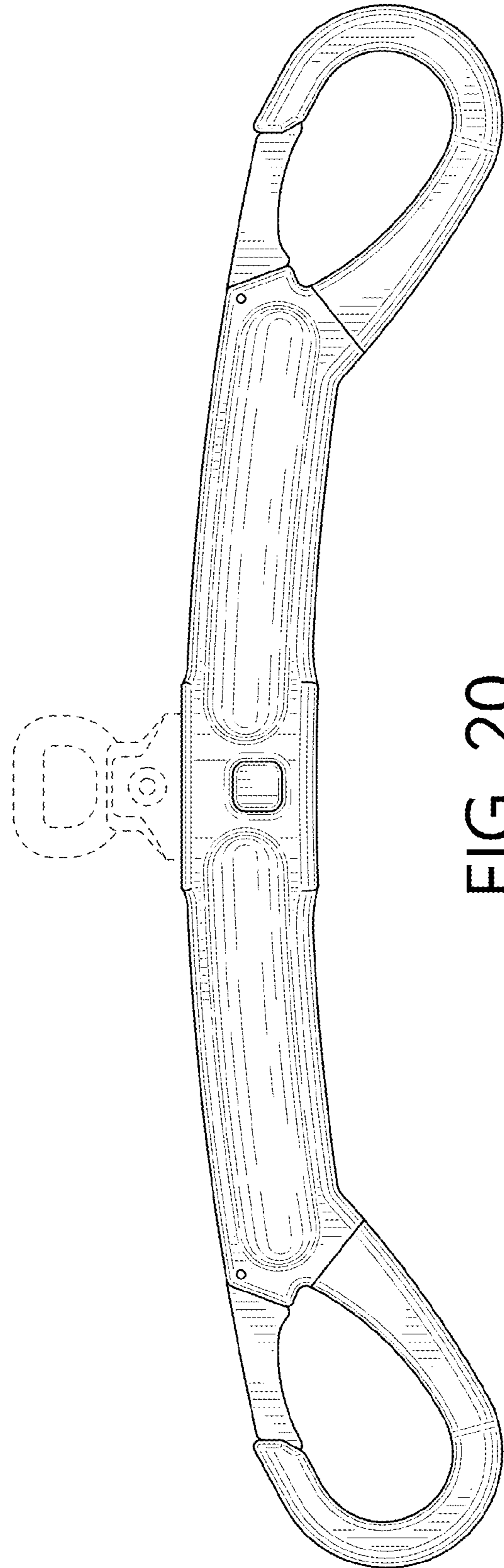


FIG. 20

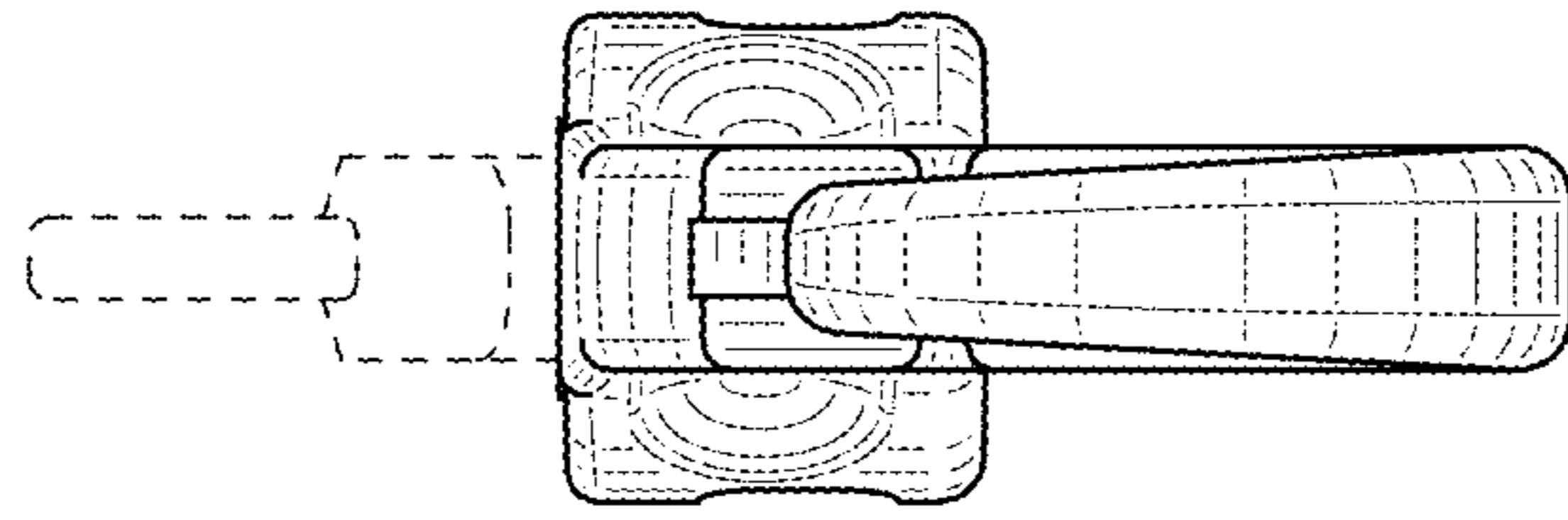


FIG. 22

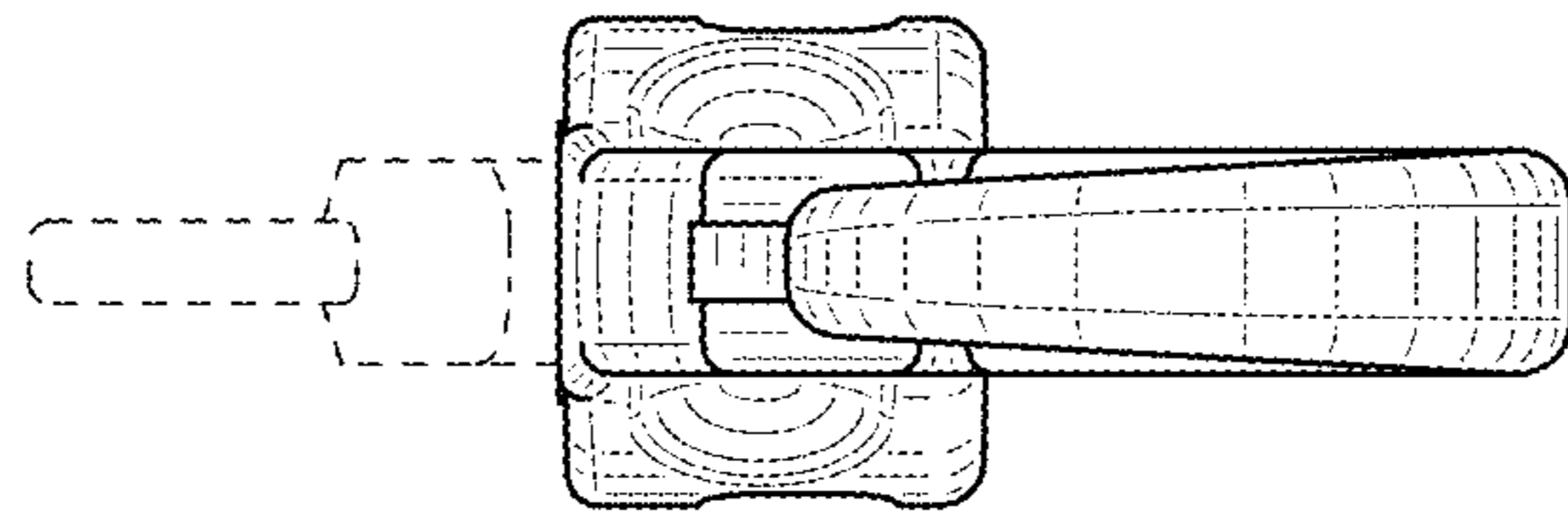


FIG. 21

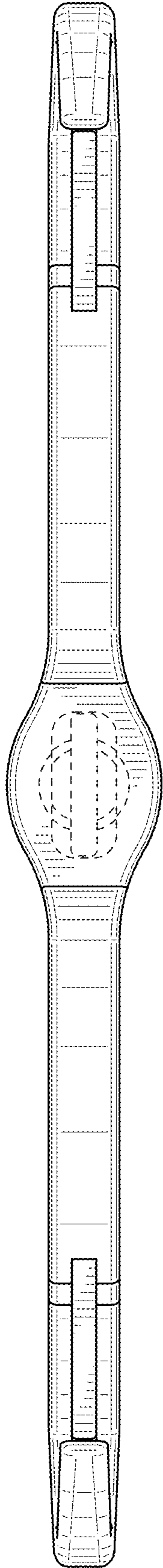


FIG. 23

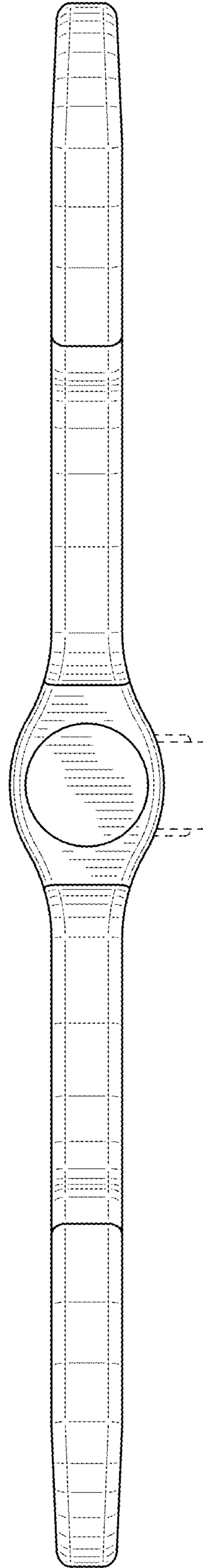


FIG. 24



UNITED STATES PATENT AND TRADEMARK OFFICE  
**CERTIFICATE OF CORRECTION**

PATENT NO. : D989,437 S  
APPLICATION NO. : 29/777436  
DATED : June 13, 2023  
INVENTOR(S) : Alejandro Noe Conejo Castaño et al.


Page 1 of 1

It is certified that error appears in the above-identified patent and that said Letters Patent is hereby corrected as shown below:

On the Title Page

Line 3 (under DESCRIPTION): Delete “**FIG. 2 a perspective view of the first embodiment including**” and insert -- **FIG. 2 is a perspective view of the first embodiment including** --, therefor.

Line 13 (under DESCRIPTION): Delete “**FIG. 10 a perspective view of the second embodiment**” and insert -- **FIG. 10 is a perspective view of the second embodiment** --, therefor.

Signed and Sealed this  
Fifth Day of September, 2023  
  
Katherine Kelly Vidal  
Director of the United States Patent and Trademark Office

UNITED STATES PATENT AND TRADEMARK OFFICE  
**CERTIFICATE OF CORRECTION**


PATENT NO. : D989,437 S  
APPLICATION NO. : 29/777436  
DATED : June 13, 2023  
INVENTOR(S) : Alejandro Noe Conejo Castaño et al.

Page 1 of 1

It is certified that error appears in the above-identified patent and that said Letters Patent is hereby corrected as shown below:

On the Title Page

Lines 23-24 (under DESCRIPTION): Delete **“FIG. 18 a perspective view of the third embodiment including a rear, bottom, and side of the sling bar;”** and insert -- **FIG. 18 is a perspective view of the third embodiment including a rear, bottom, and side of the sling bar; --**, therefor.

Signed and Sealed this  
Tenth Day of September, 2024  
  
Katherine Kelly Vidal  
Director of the United States Patent and Trademark Office