



US00D989436S

(12) **United States Design Patent**  
**Conejo Castaño et al.**

(10) **Patent No.:** **US D989,436 S**  
(45) **Date of Patent:** **\*\* Jun. 13, 2023**

(54) **SLING BAR**

*Primary Examiner* — Cynthia Ramirez

(71) Applicant: **Liko Research & Development AB**,  
Luleå (SE)

(74) *Attorney, Agent, or Firm* — Dinsmore & Shohl LLP

(72) Inventors: **Alejandro Noe Conejo Castaño**,  
Batesville, IN (US); **Todd P. O’Neal**,  
Fairfield, OH (US); **Christian H.**  
**Reinke**, York, SC (US); **Scott M.**  
**Corbin**, Sunman, IN (US)

(57) **CLAIM**

The ornamental design for a sling bar, as shown and described.

(73) Assignee: **LIKO RESEARCH & DEVELOPMENT AB**, Luleå (SE)

**DESCRIPTION**

(\*\*) Term: **15 Years**

FIG. 1 is a perspective view of a first embodiment including a front, top, and side of a sling bar;  
FIG. 2 a perspective view of the first embodiment including a rear, bottom, and side of the sling bar;  
FIG. 3 is a front elevation view of the sling bar;  
FIG. 4 is a rear elevation view of the sling bar;  
FIG. 5 is a side elevation view of the sling bar;  
FIG. 6 is an opposite side elevation view of the sling bar;  
FIG. 7 is a top plan view of the sling bar;  
FIG. 8 is a bottom plan view of the sling bar;  
FIG. 9 is a perspective view of a second embodiment including a front, top, and side of a sling bar;  
FIG. 10 a perspective view of the second embodiment including a rear, bottom, and side of the sling bar;  
FIG. 11 is a front elevation view of the sling bar;  
FIG. 12 is a rear elevation view of the sling bar;  
FIG. 13 is a side elevation view of the sling bar;  
FIG. 14 is an opposite side elevation view of the sling bar;  
FIG. 15 is a top plan view of the sling bar;  
FIG. 16 is a bottom plan view of the sling bar;  
FIG. 17 is a perspective view of a third embodiment including a front, top, and side of a sling bar;  
FIG. 18 a perspective view of the third embodiment including a rear, bottom, and side of the sling bar;  
FIG. 19 is a front elevation view of the sling bar;  
FIG. 20 is a rear elevation view of the sling bar;  
FIG. 21 is a side elevation view of the sling bar;  
FIG. 22 is an opposite side elevation view of the sling bar;  
FIG. 23 is a top plan view of the sling bar; and,  
FIG. 24 is a bottom plan view of the sling bar.

(21) Appl. No.: **29/777,432**

(22) Filed: **Apr. 6, 2021**

(51) **LOC (14) Cl.** ..... **12-05**

(52) **U.S. Cl.**  
USPC ..... **D34/35**

(58) **Field of Classification Search**  
USPC ..... D34/28, 35; D8/358, 360; D21/673,  
D21/679, 682

(Continued)

(56) **References Cited**

**U.S. PATENT DOCUMENTS**

2,020,174 A 11/1935 Derossi  
3,435,999 A 4/1969 Mantell

(Continued)

**FOREIGN PATENT DOCUMENTS**

AU 2008101113 B4 5/2014  
CN 208626072 U 3/2019

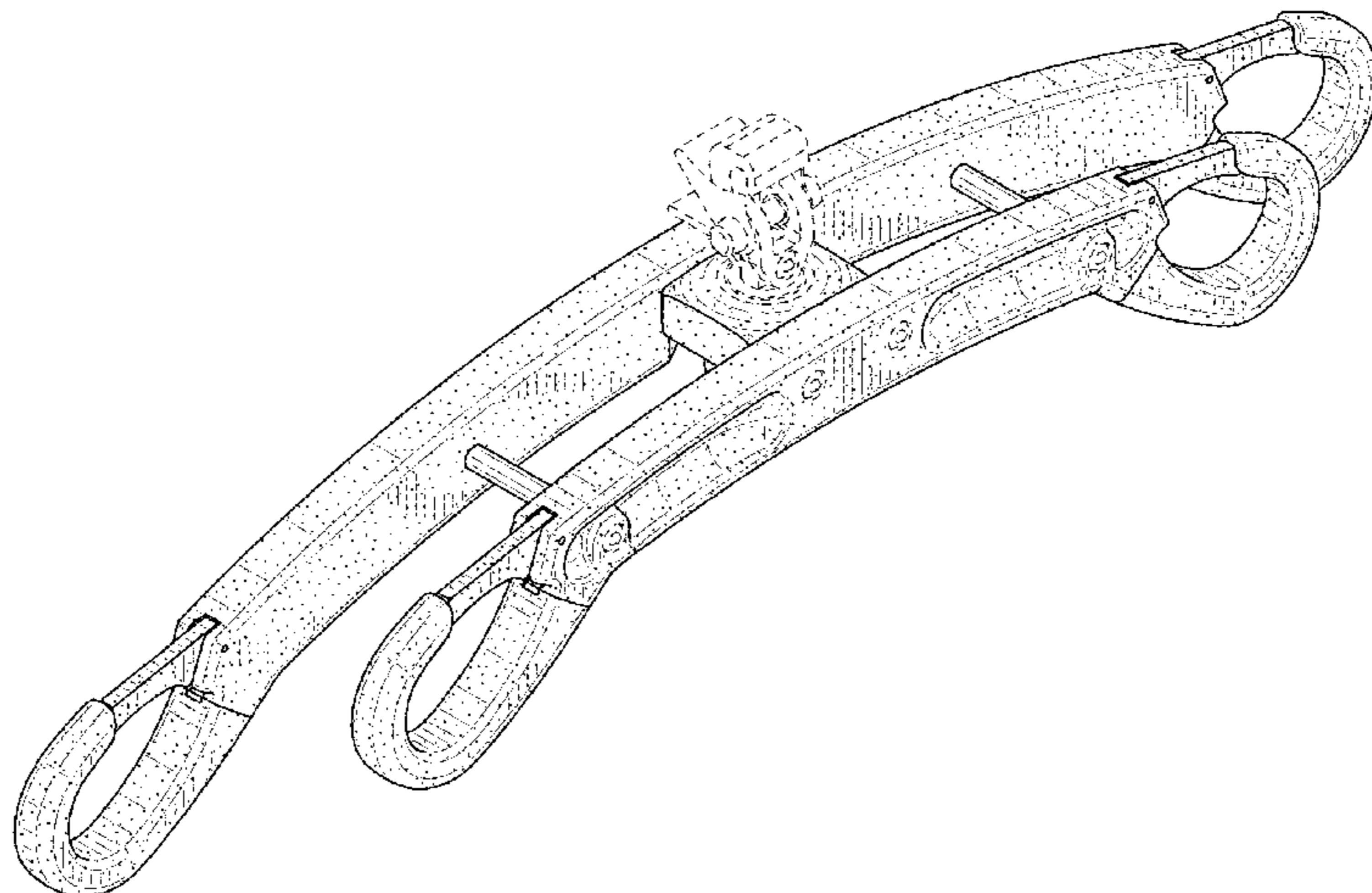
(Continued)

**OTHER PUBLICATIONS**

Rehabmart.com, retrieved on Jan. 5, 2022, two-point aluminum sling bar for romedic patient lift slings, <https://www.rehabmart.com/product/romedic-slingbar1-35921.html> (Year: 2022).\*

(Continued)

(Continued)



The dashed broken lines throughout the figures depict portions of the sling bar that form no part of the claimed design. The stipple pattern in the figures is indicative of a contrast in materials.

**1 Claim, 15 Drawing Sheets**

**(58) Field of Classification Search**

CPC ..... B66C 1/422; B66C 1/442; B66F 13/00; B66F 7/02; B66F 7/28; B66F 9/072; A61G 7/1042; A61G 7/1051; A61G 7/1078; A61G 7/1061; A61G 7/1073

See application file for complete search history.

**(56)**

**References Cited**

**U.S. PATENT DOCUMENTS**

3,463,369	A	8/1969	Moskowitz	
3,680,746	A	8/1972	Seckelmann	
3,972,553	A	8/1976	Johnston	
4,274,564	A	6/1981	Warmath	
4,556,158	A	12/1985	Blanchard et al.	
D297,878	S *	9/1988	Bergstrom	D8/382
4,826,228	A	5/1989	Dinitz et al.	
5,350,092	A	9/1994	Hollis	
D451,658	S *	12/2001	Czemerer	D34/28
6,523,195	B1	2/2003	Rodier et al.	
6,675,412	B2	1/2004	Faucher et al.	
7,284,745	B2	10/2007	Keane et al.	
7,341,506	B1	3/2008	Hogue	
7,434,787	B2	10/2008	Hjort	
7,654,593	B2	2/2010	Hjort	
7,802,328	B2	9/2010	Lingegard	
7,896,416	B2	3/2011	Carter	
D685,974	S *	7/2013	Price	D34/28
8,844,904	B2	9/2014	Bogh-Sorensen	
D728,039	S *	4/2015	Groshek	D21/679
9,084,709	B2	7/2015	Karlsson et al.	
D744,714	S *	12/2015	Yamanaka	D34/28
9,222,498	B2	12/2015	Faucher et al.	
9,693,922	B2	7/2017	Andersson et al.	

9,700,474	B2	7/2017	Karlsson et al.	
9,757,297	B2	9/2017	Arespong et al.	
10,010,468	B2	7/2018	Duquette et al.	
D827,734	S *	9/2018	Exley	D21/673
D854,275	S	7/2019	Westwood et al.	
D869,937	S *	12/2019	Walker	D8/356
D893,122	S *	8/2020	Saeger	A61G 7/1061 34/356
10,799,409	B2	10/2020	Rydstrom et al.	
10,925,791	B2	2/2021	Chandan et al.	
D913,620	S *	3/2021	Hechler	B66C 1/16 D34/28
D963,983	S *	9/2022	Gebhardt	A61G 7/1015 D34/35
D971,545	S *	11/2022	Gardiner	D34/35
2006/0137091	A1 *	6/2006	Gramkow	A61G 7/1015 5/86.1
2008/0222859	A1	9/2008	Chepurny et al.	
2010/0043140	A1	2/2010	Chepurny	
2010/0270252	A1	10/2010	Chepurny et al.	
2011/0185495	A1	8/2011	Robert-Jones et al.	
2011/0219538	A1	9/2011	Mewattie et al.	
2016/0184158	A1	6/2016	Tu	
2017/0027796	A1	2/2017	Kaikenger	
2018/0369044	A1	12/2018	Lyckestig et al.	
2020/0170864	A1 *	6/2020	Newman	A61G 7/10
2020/0360212	A1 *	11/2020	Chepurny	A61G 7/10
2021/0154070	A1 *	5/2021	Linde	A61G 7/1017
2021/0316964	A1 *	10/2021	Conejo	B66C 1/16
2022/0079824	A1 *	3/2022	Reinke	A61G 7/1042
2023/0000705	A1 *	1/2023	Owen	A61G 7/1078

**FOREIGN PATENT DOCUMENTS**

DE	202017005436	U1	12/2017
EP	3510987	A1	7/2019
WO	2019213785	A1	11/2019

**OTHER PUBLICATIONS**

Amico "Installation and Operation Instructions GoLift Patient Lift (400 lbs & 700 lbs)" Amico Mobility Solutions Corporation, Dec. 19, 2019, pp. 1-28.

\* cited by examiner

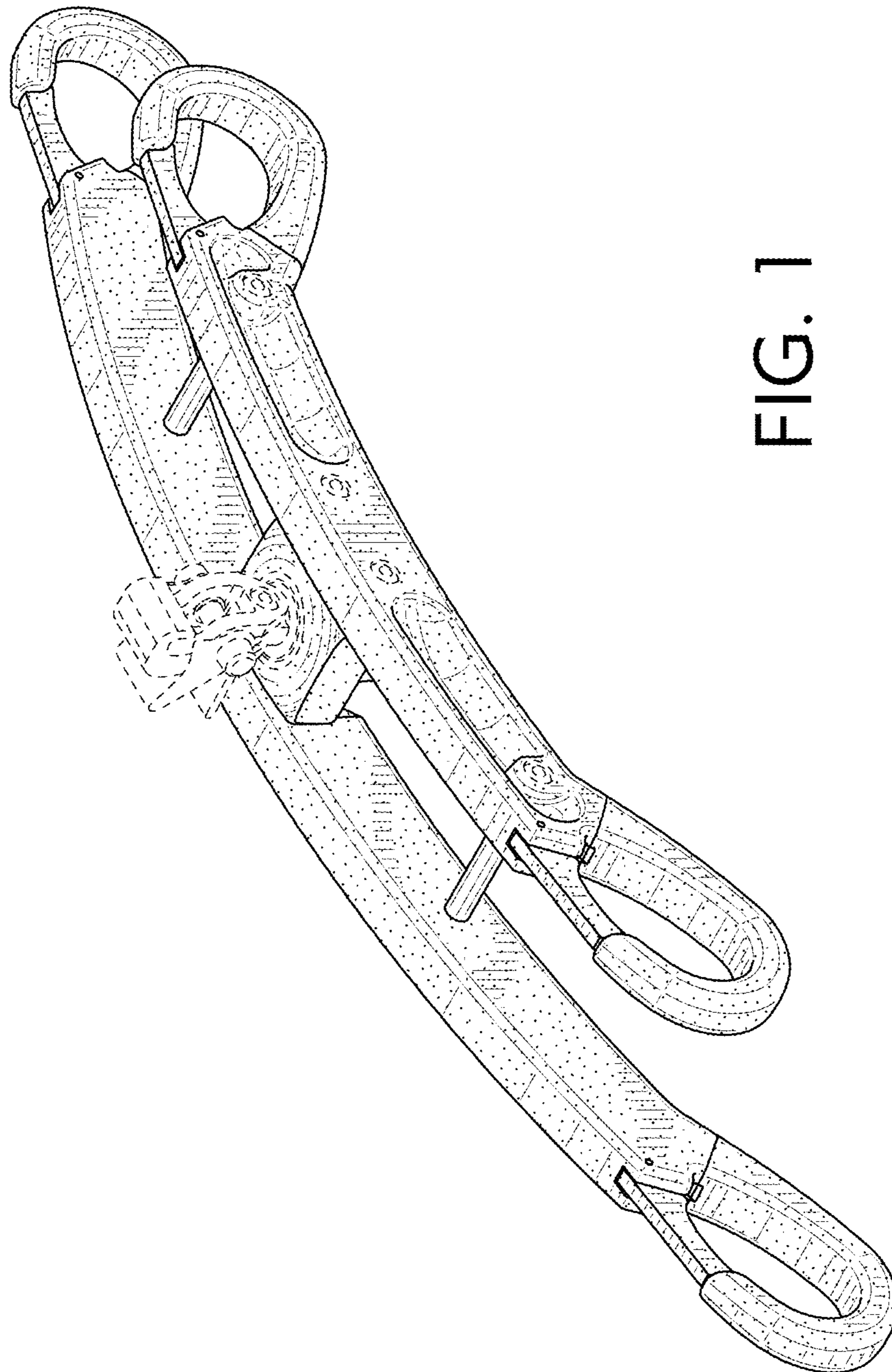


FIG. 1

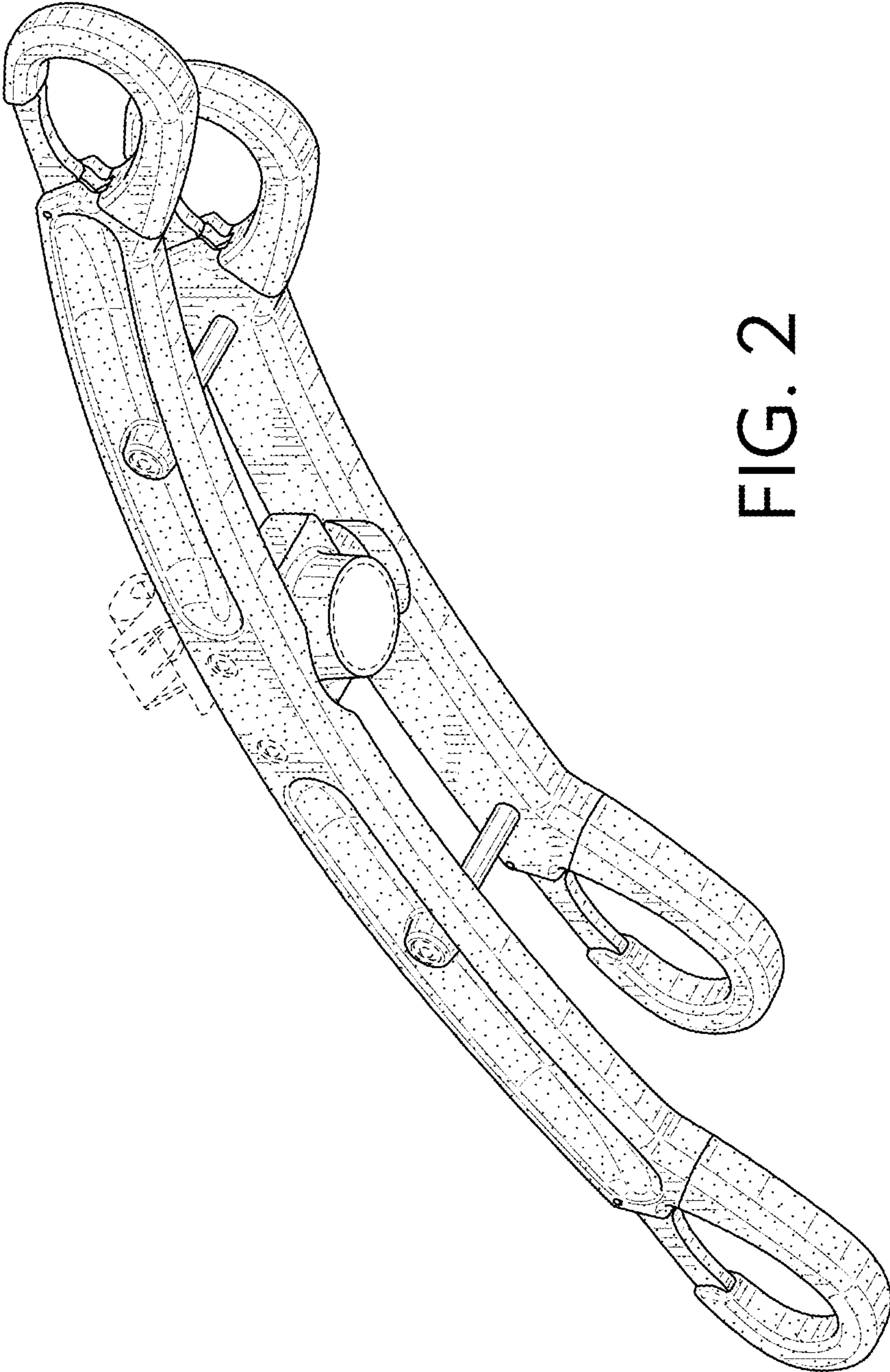


FIG. 2

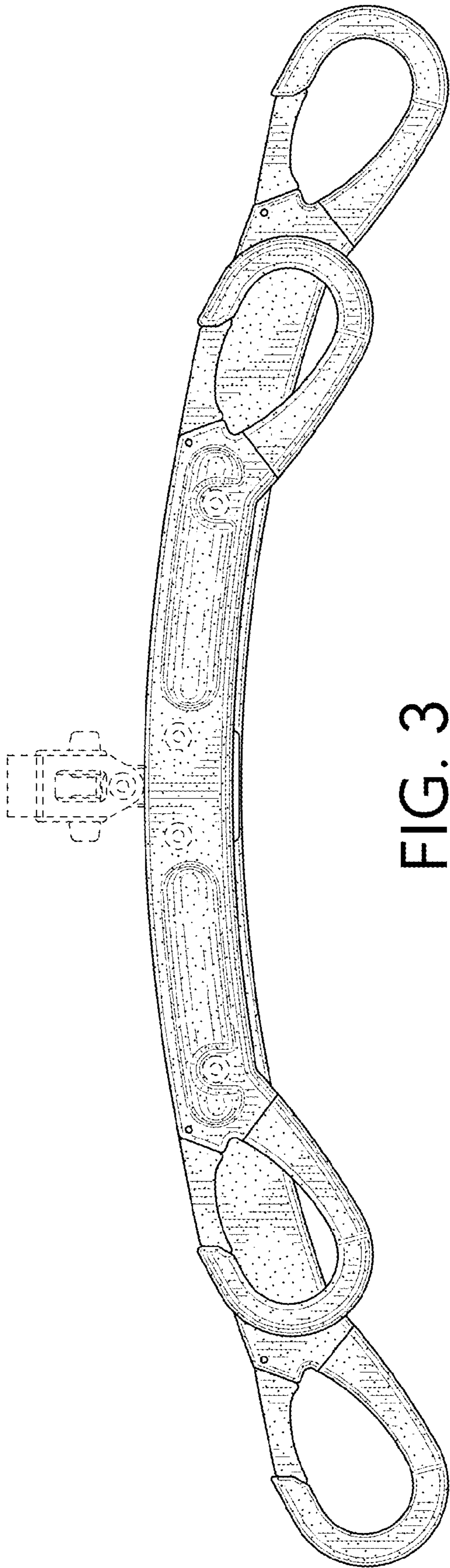


FIG. 3

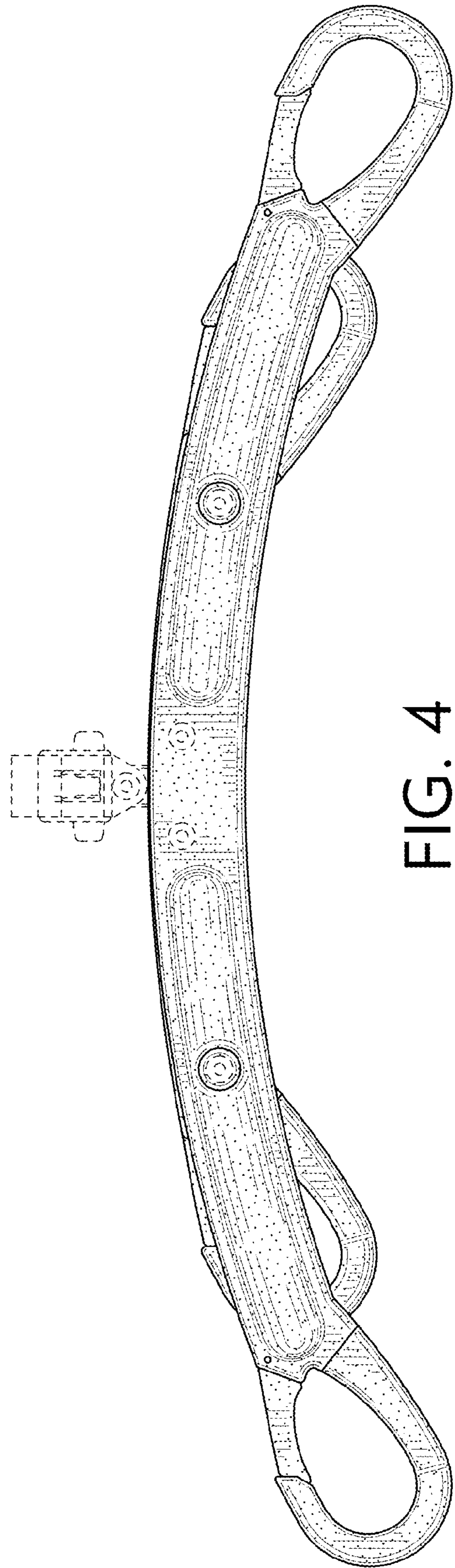


FIG. 4

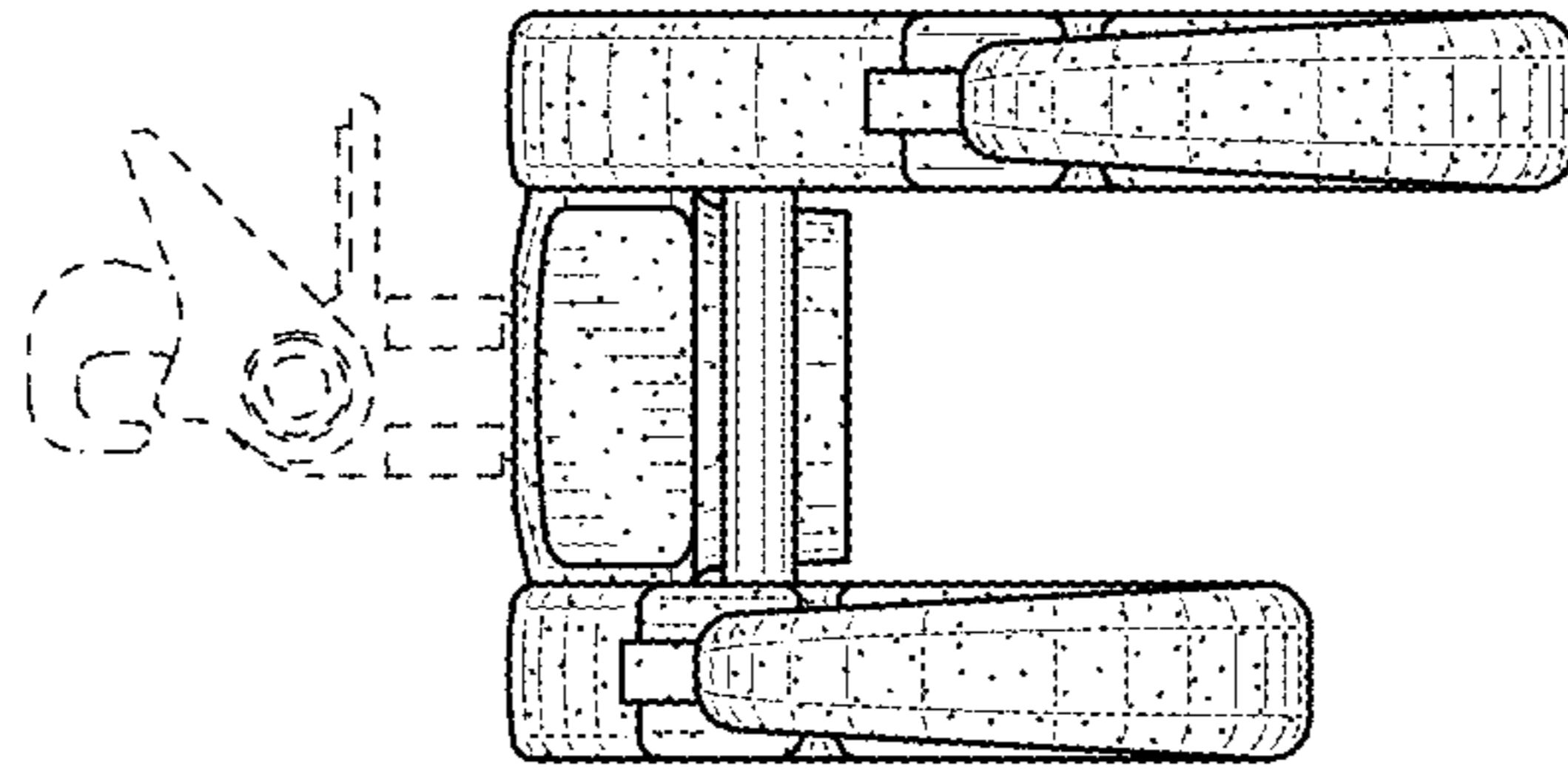


FIG. 5

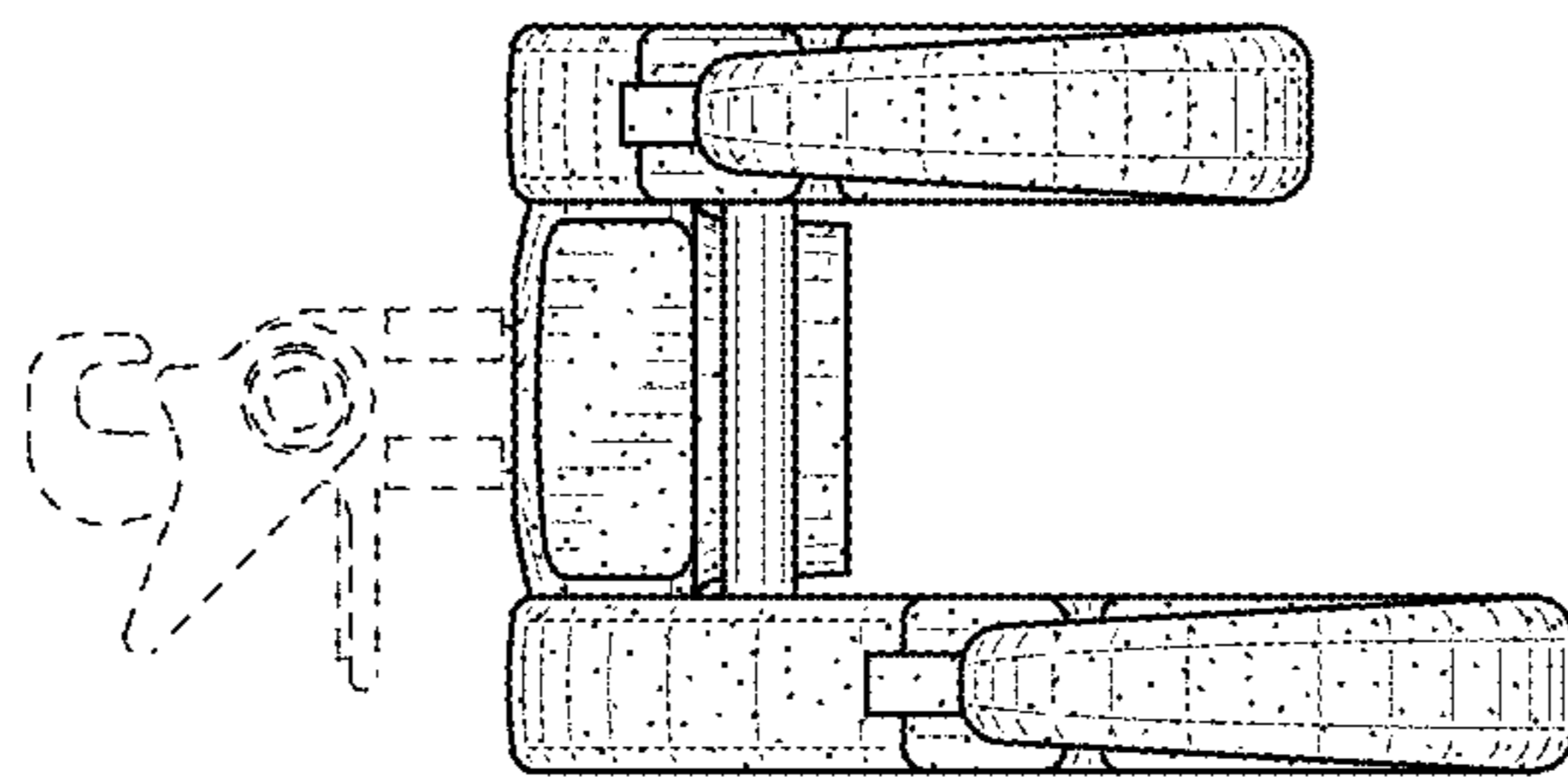


FIG. 6

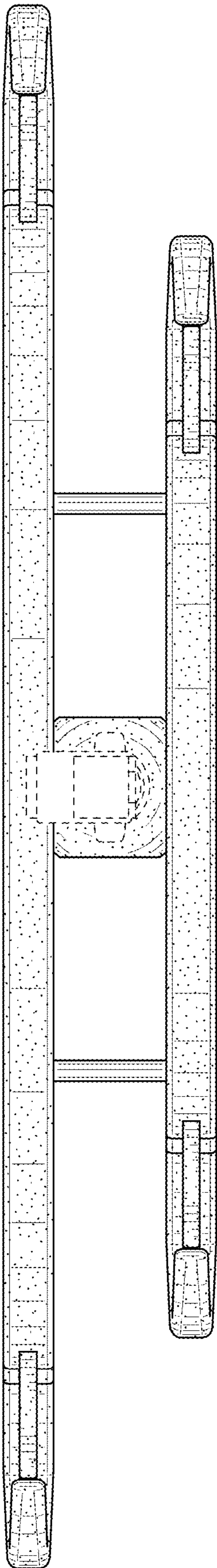


FIG. 7

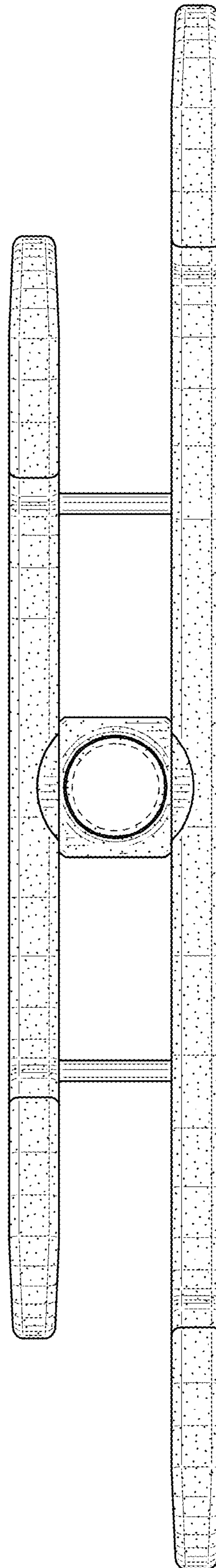


FIG. 8

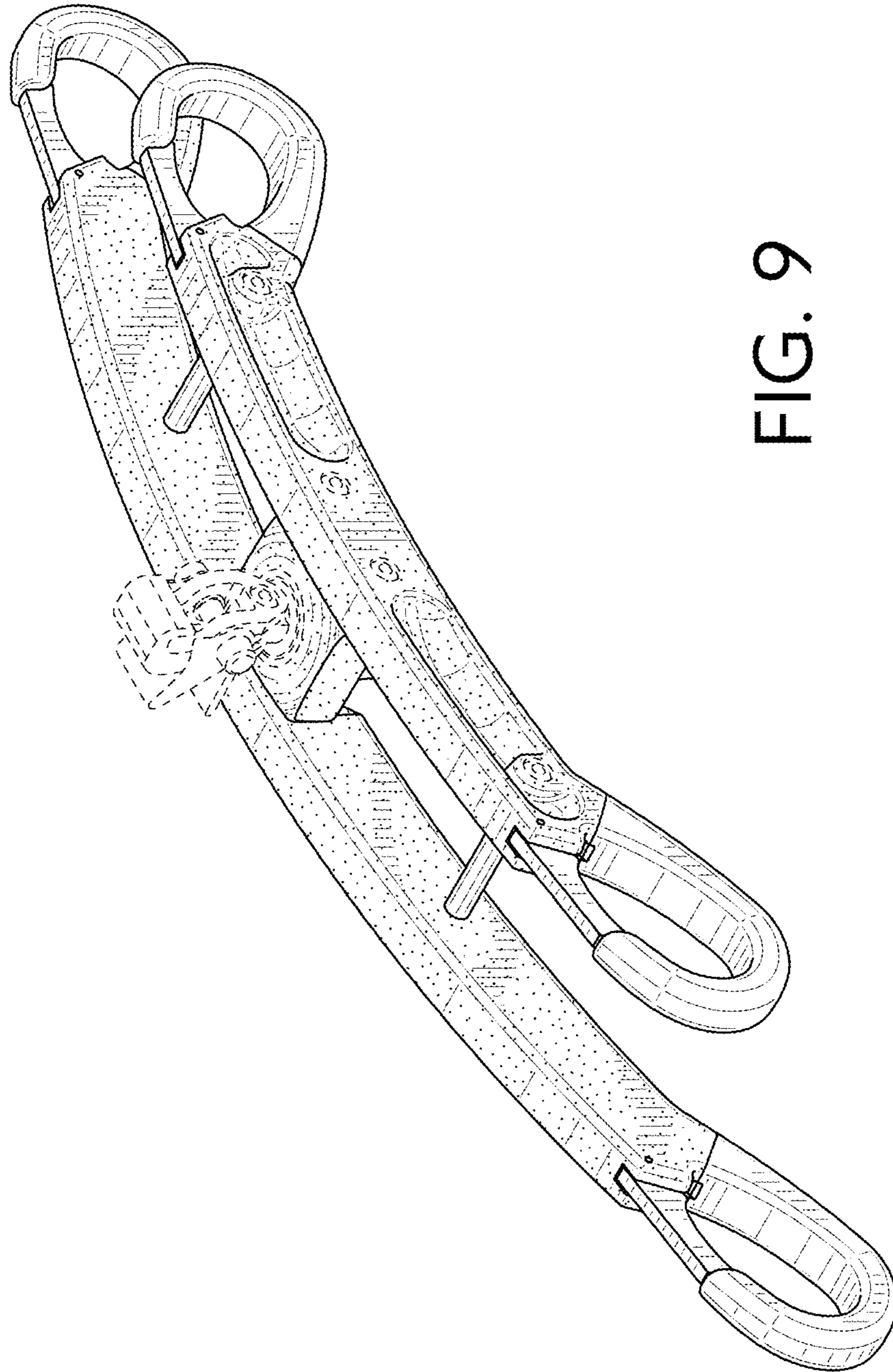


FIG. 9



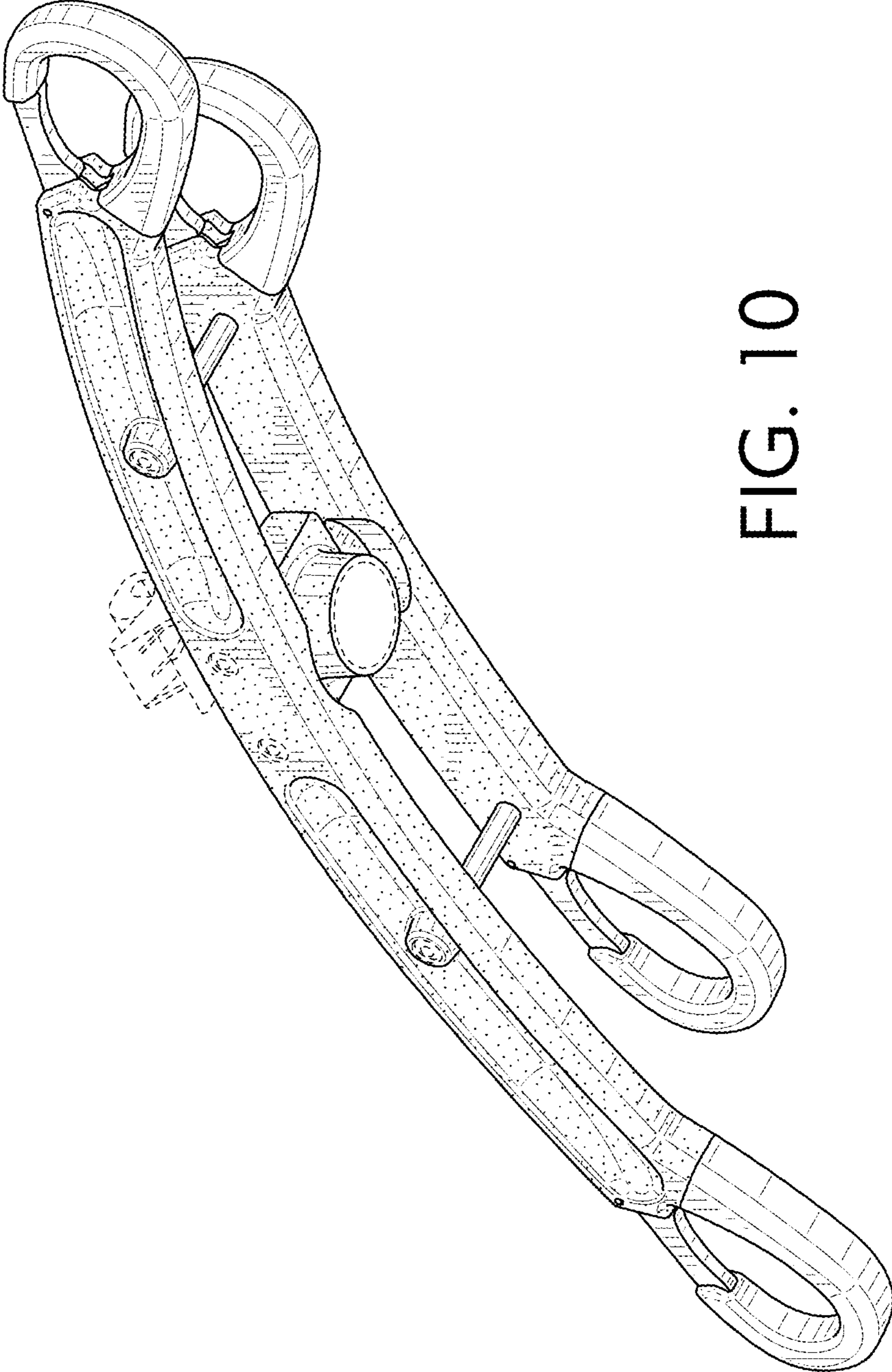


FIG. 10

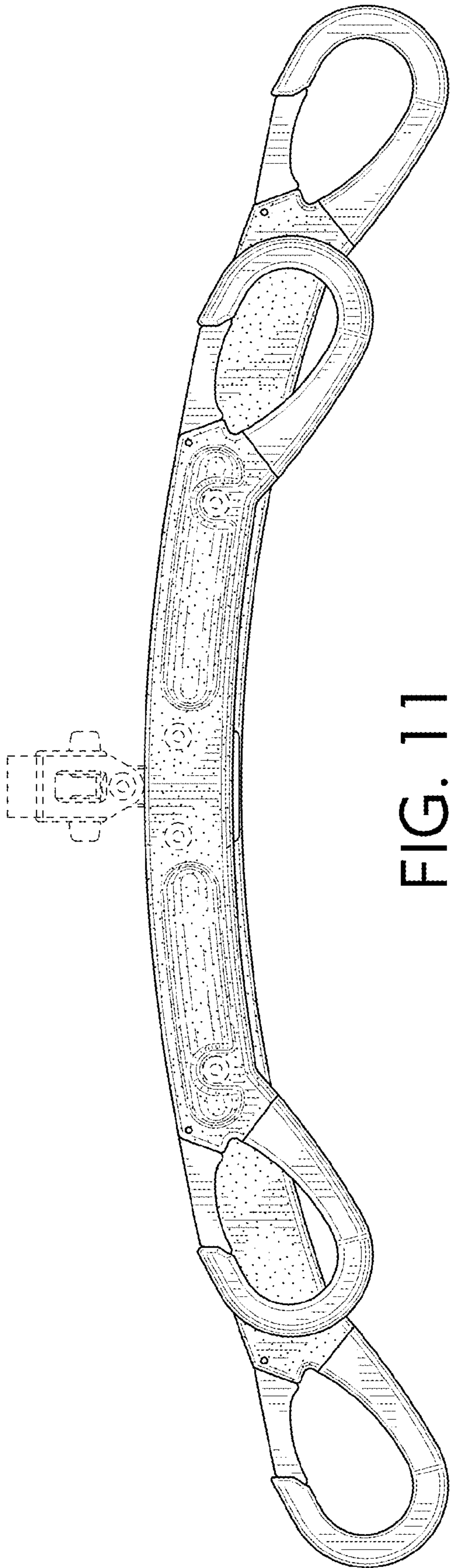


FIG. 11

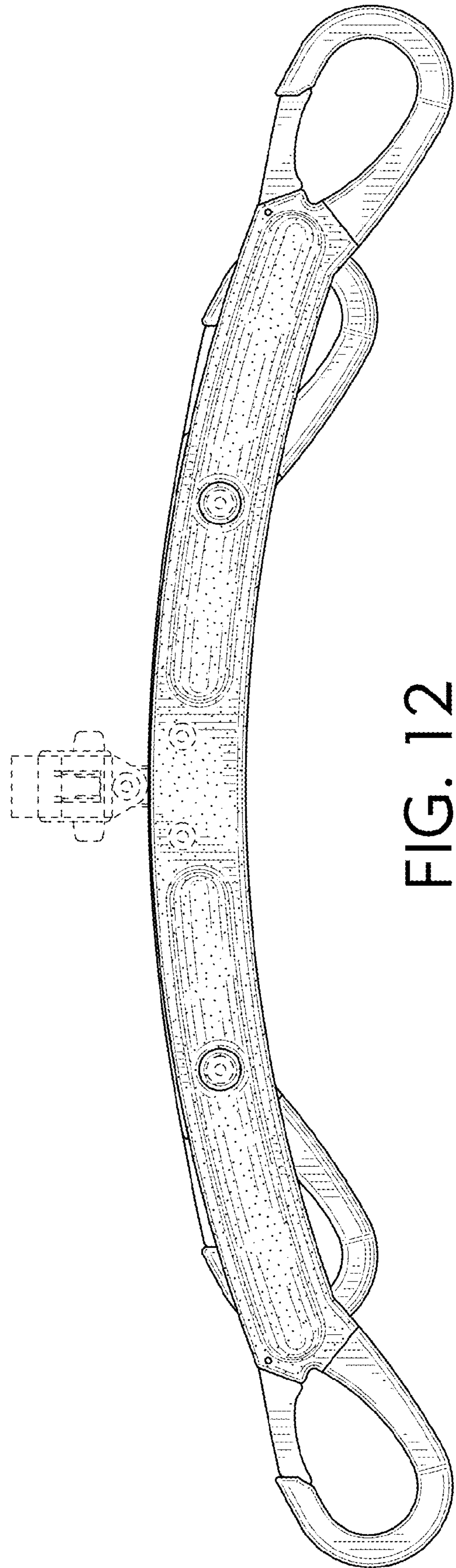


FIG. 12

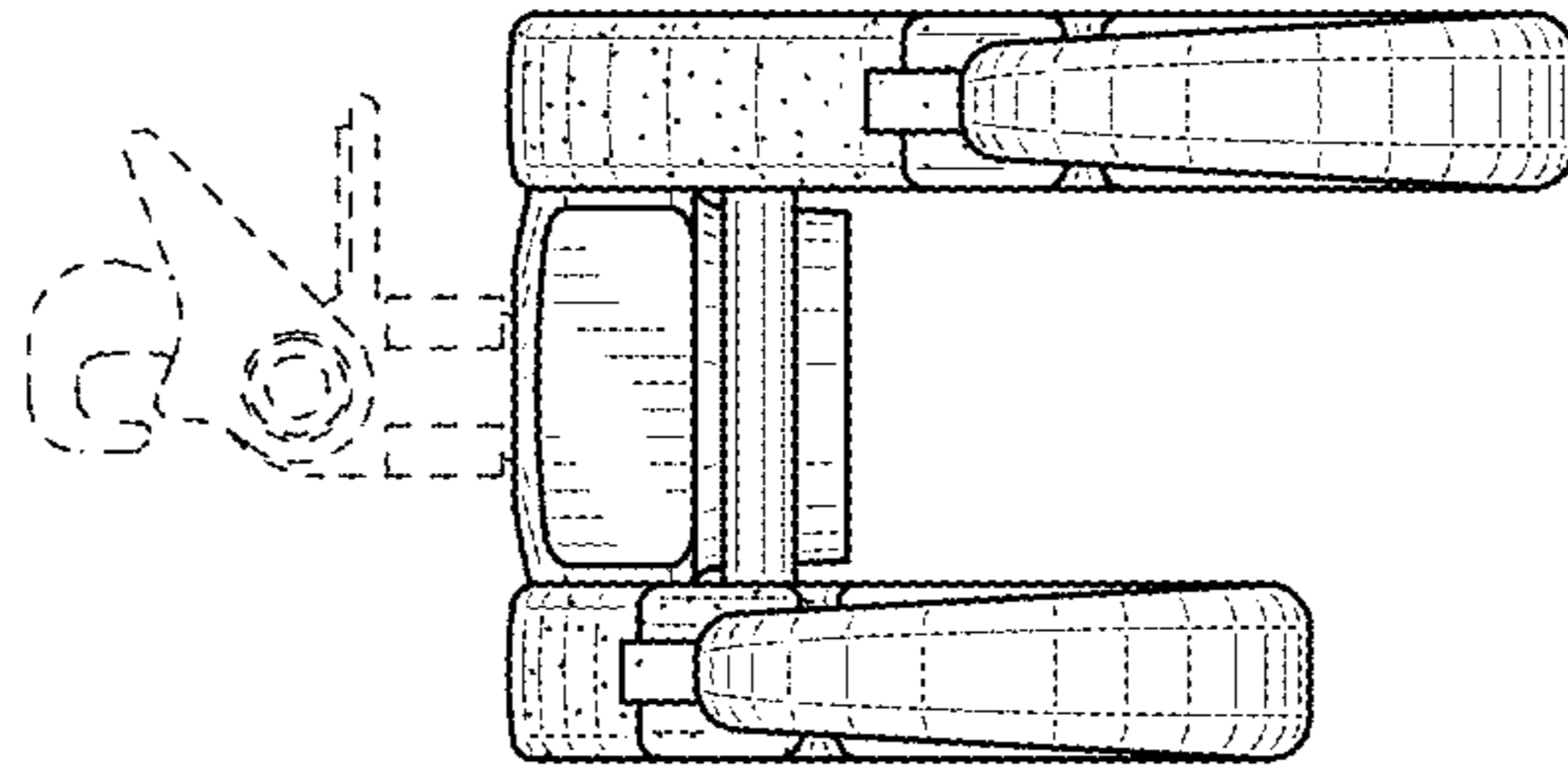


FIG. 13

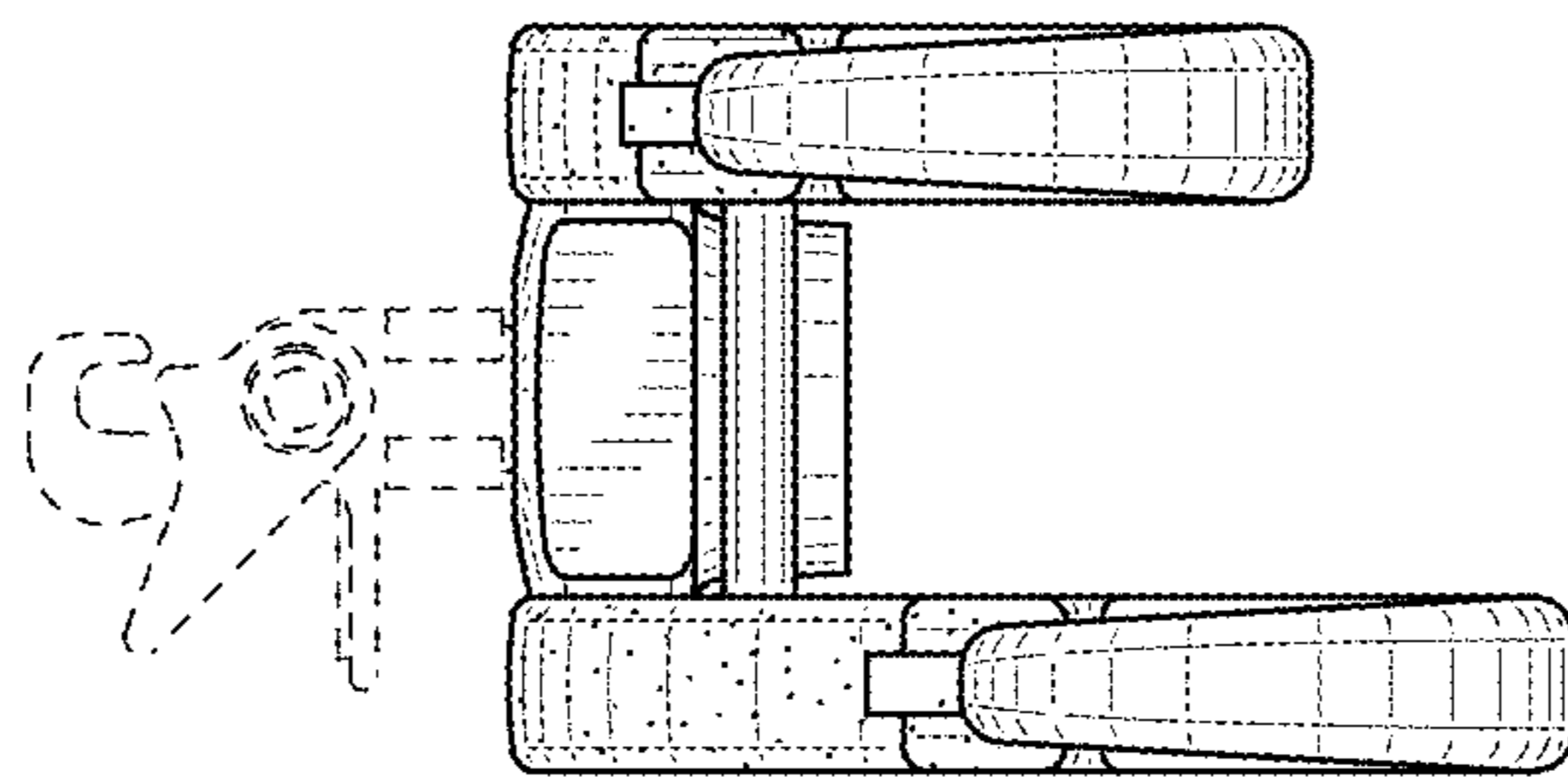


FIG. 14

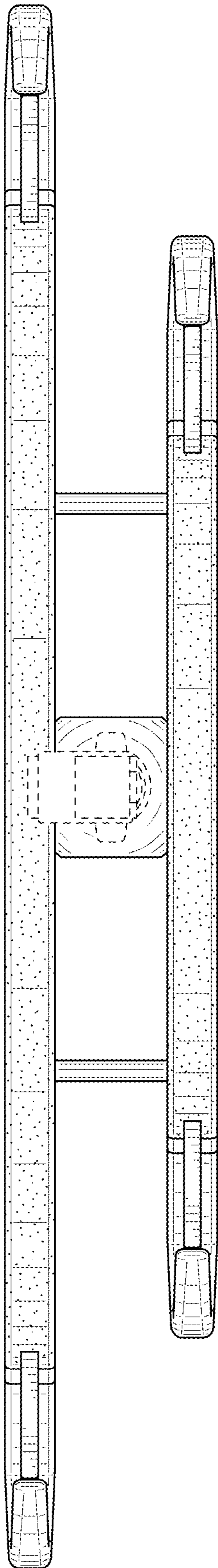


FIG. 15

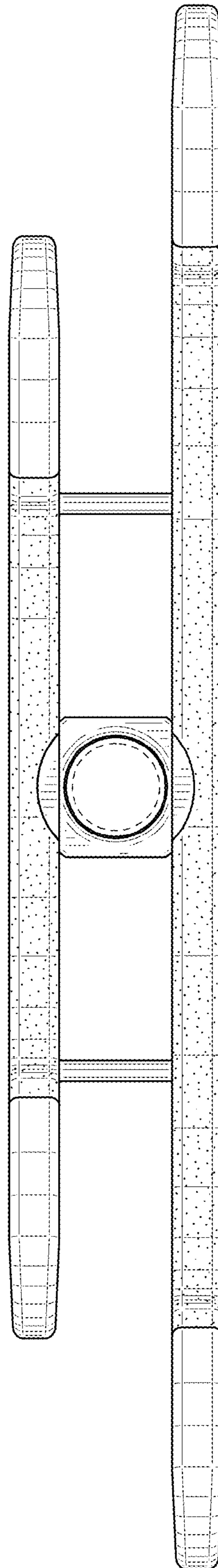


FIG. 16

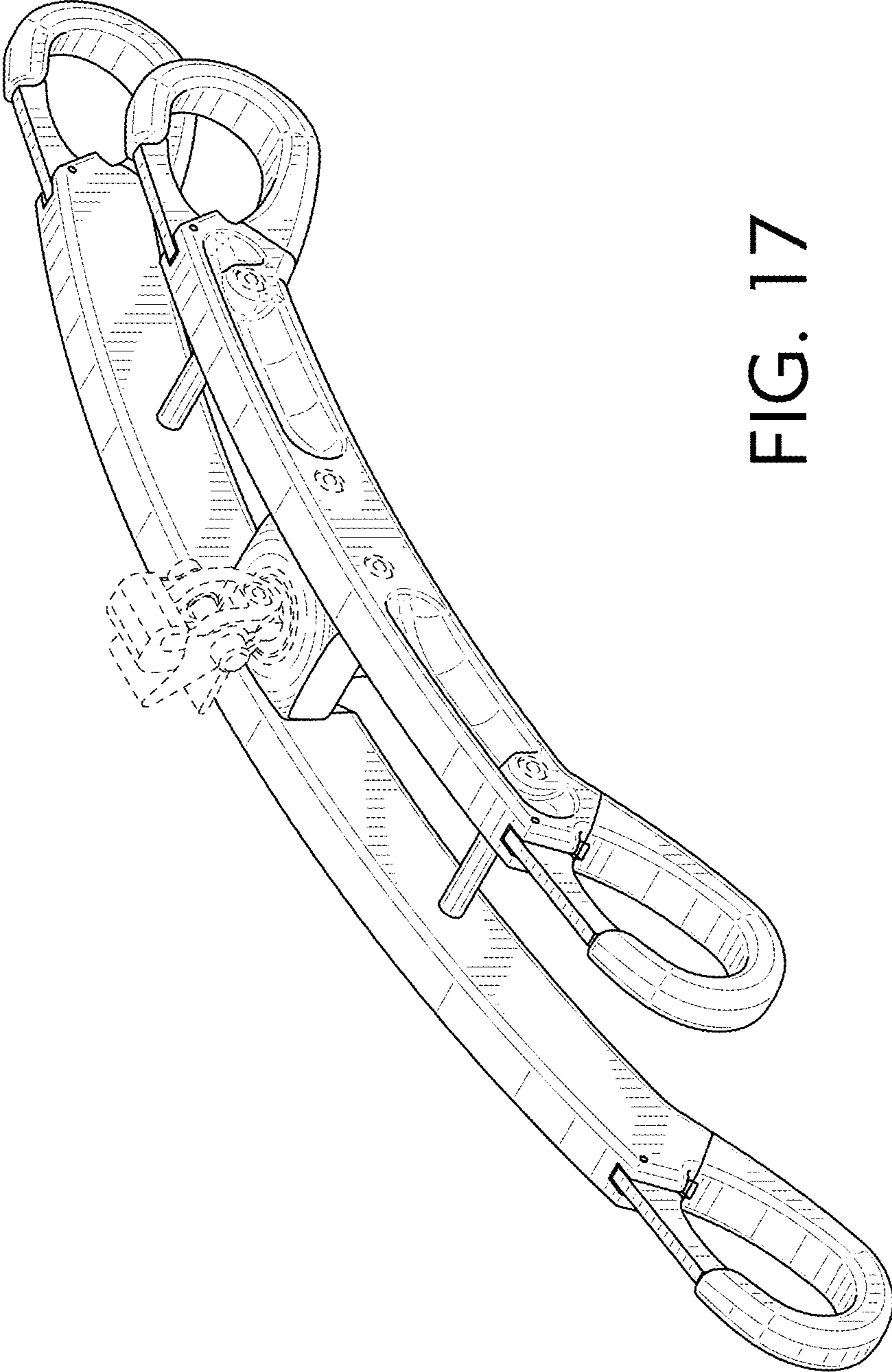


FIG. 17

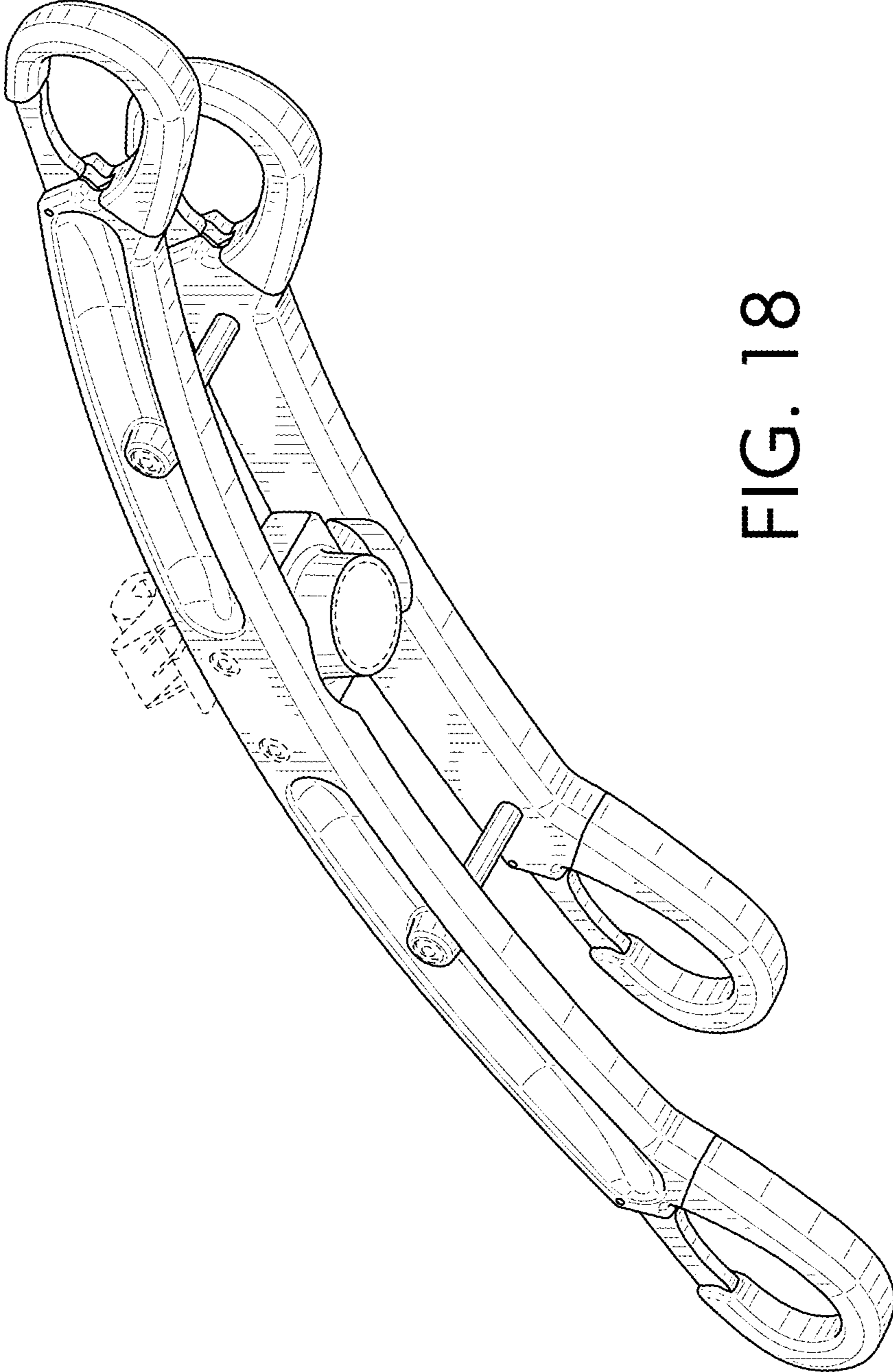


FIG. 18

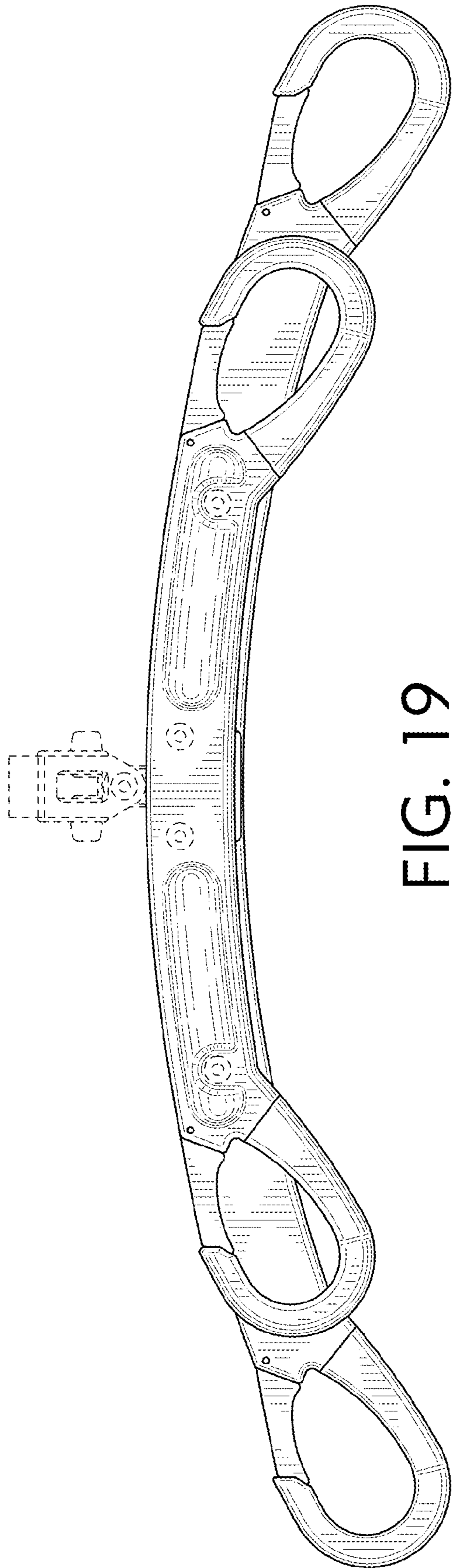


FIG. 19

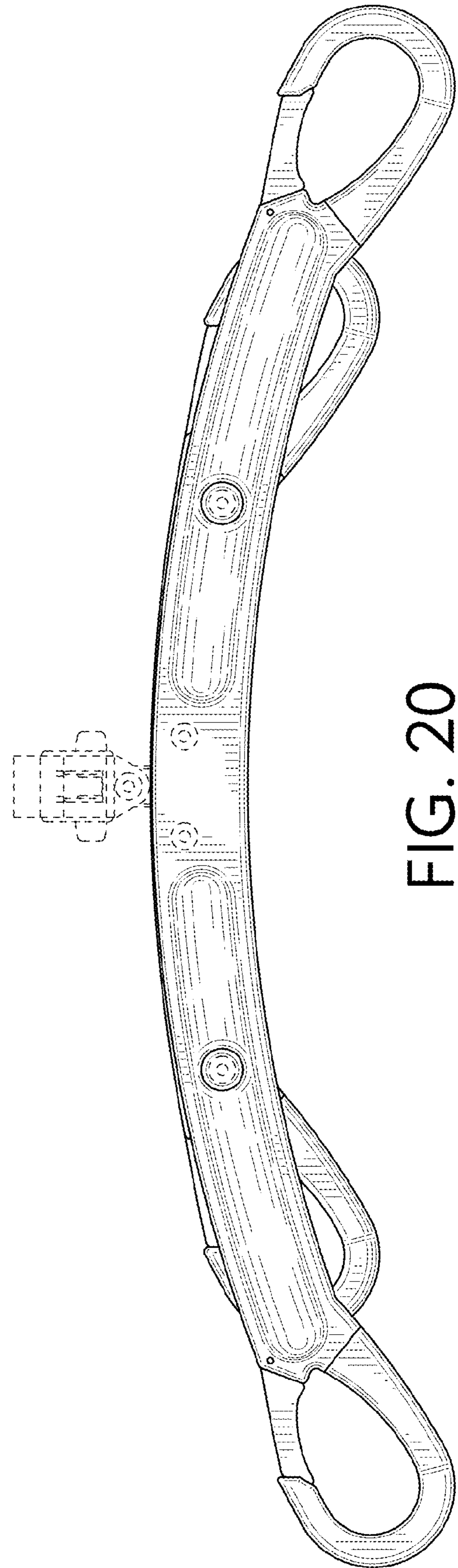


FIG. 20

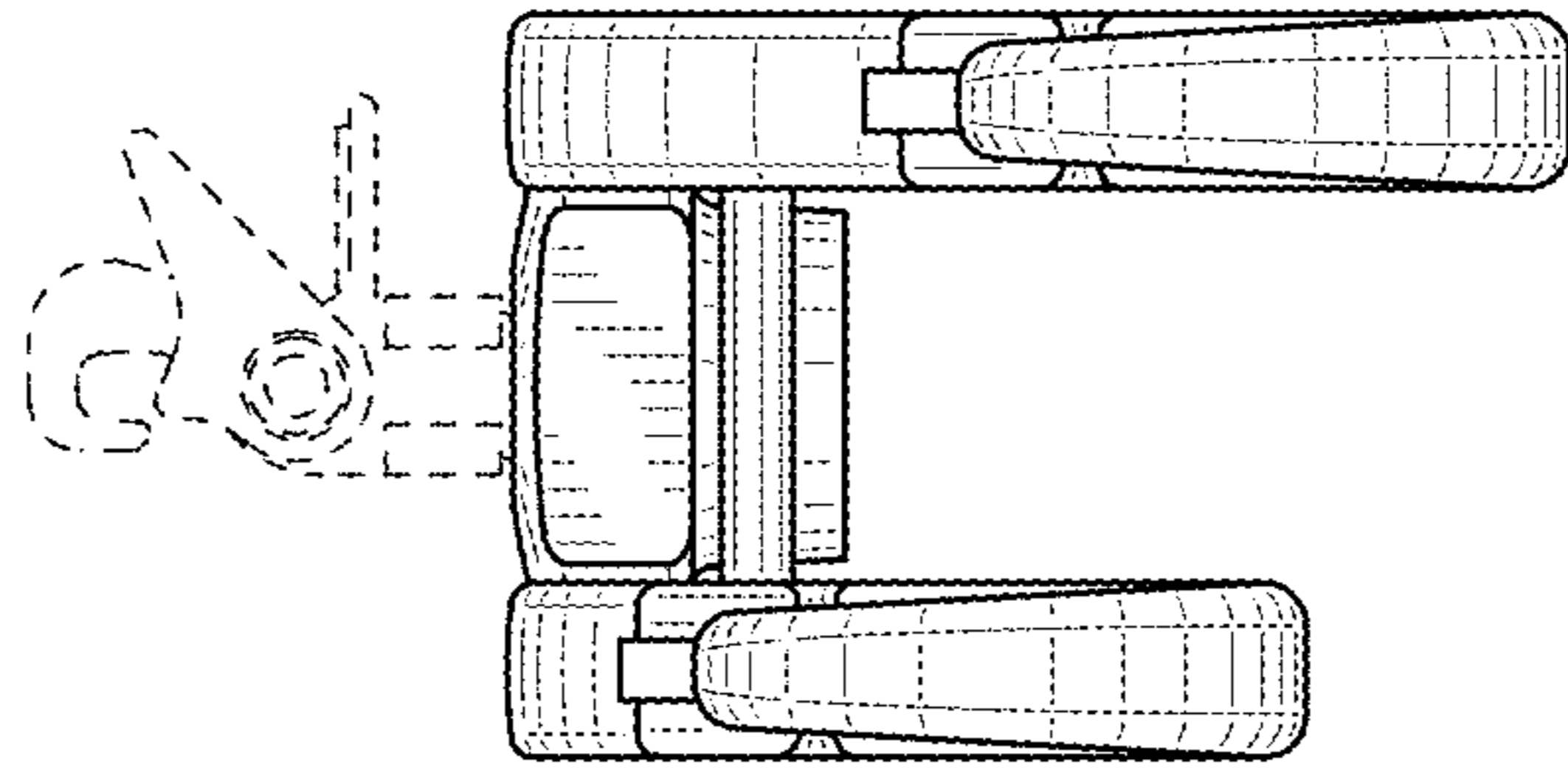


FIG. 21

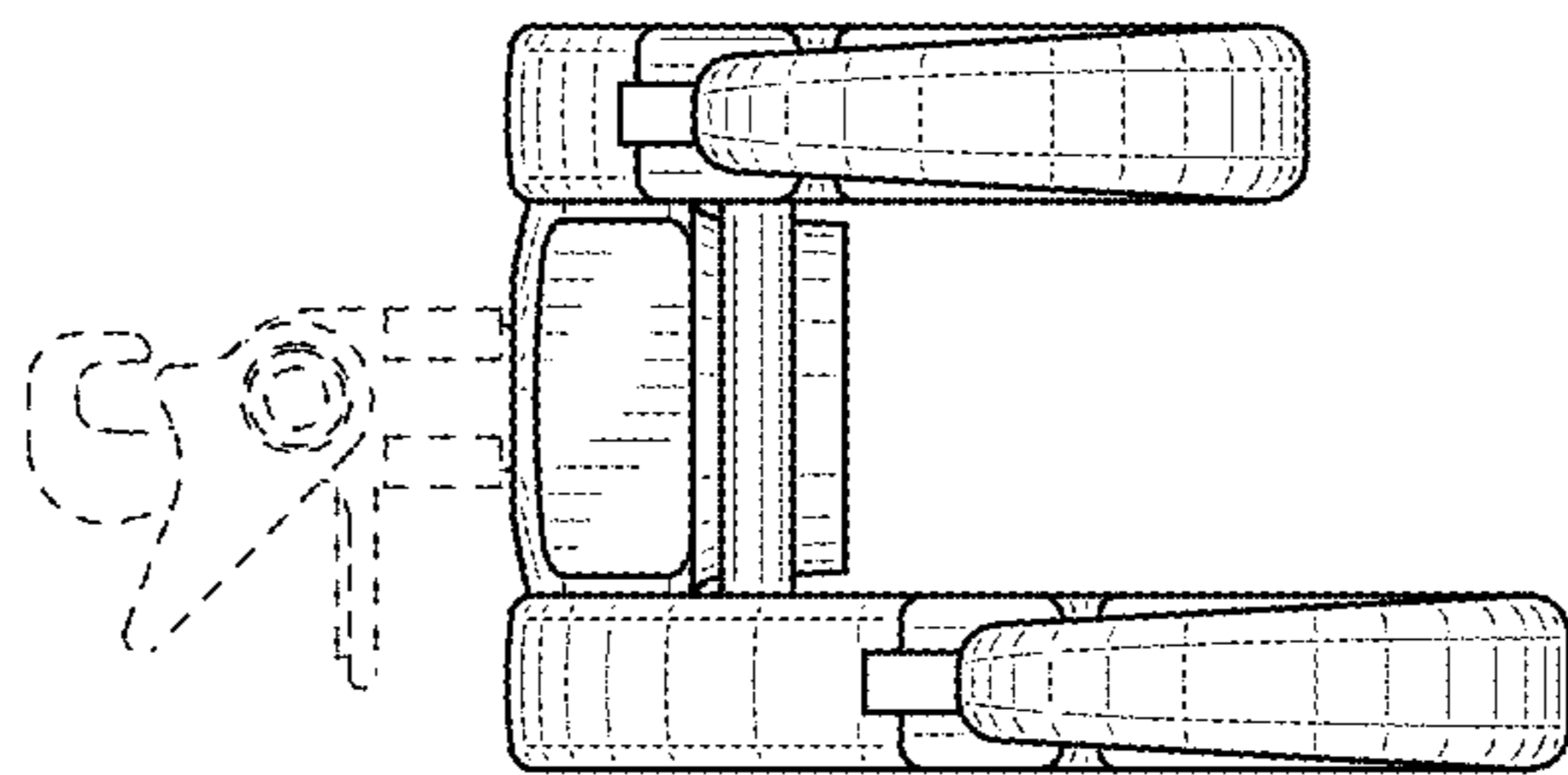


FIG. 22



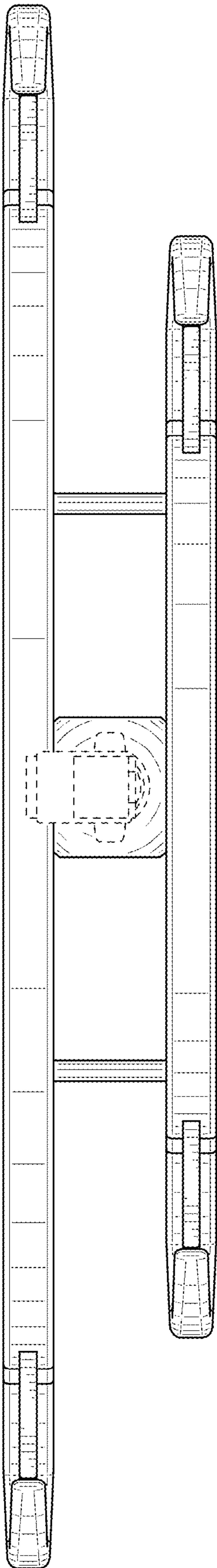


FIG. 23

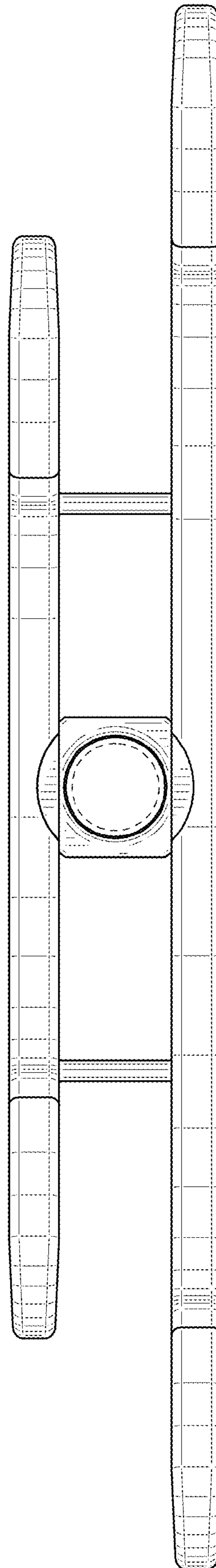


FIG. 24

UNITED STATES PATENT AND TRADEMARK OFFICE  
**CERTIFICATE OF CORRECTION**

PATENT NO. : D989,436 S  
APPLICATION NO. : 29/777432  
DATED : June 13, 2023  
INVENTOR(S) : Alejandro Noe Conejo Castaño et al.


Page 1 of 1

It is certified that error appears in the above-identified patent and that said Letters Patent is hereby corrected as shown below:

On the Title Page

Line 3 (under DESCRIPTION): Delete “**FIG. 2 a perspective view of the first embodiment including**” and insert -- **FIG. 2 is a perspective view of the first embodiment including** --, therefor.

Line 13 (under DESCRIPTION): Delete “**FIG. 10 a perspective view of the second embodiment**” and insert -- **FIG. 10 is a perspective view of the second embodiment** --, therefor.

Signed and Sealed this  
Fifth Day of September, 2023  
  
Katherine Kelly Vidal  
Director of the United States Patent and Trademark Office

UNITED STATES PATENT AND TRADEMARK OFFICE  
**CERTIFICATE OF CORRECTION**

PATENT NO. : D989,436 S  
APPLICATION NO. : 29/777432  
DATED : June 13, 2023  
INVENTOR(S) : Alejandro Noe Conejo Castaño

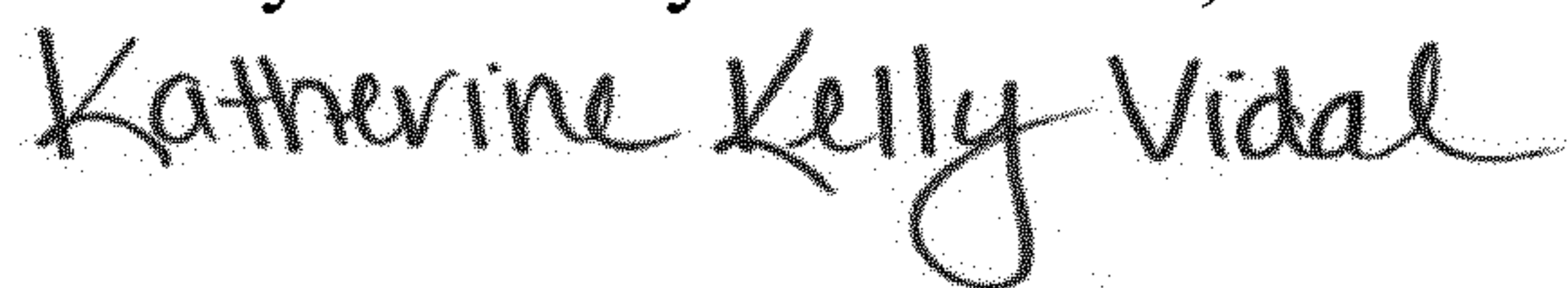
Page 1 of 1

It is certified that error appears in the above-identified patent and that said Letters Patent is hereby corrected as shown below:

On the Title Page

Lines 23-24 (under DESCRIPTION): Delete **“FIG. 18 a perspective view of the third embodiment including a rear, bottom, and side of the sling bar;”** and insert -- **FIG. 18 is a perspective view of the third embodiment including a rear, bottom, and side of the sling bar; --**, therefor.

Signed and Sealed this  
Thirty-first Day of October, 2023



Katherine Kelly Vidal  
*Director of the United States Patent and Trademark Office*