



US00D989435S

(12) **United States Design Patent**
Conejo Castaño et al.

(10) **Patent No.:** **US D989,435 S**
(45) **Date of Patent:** **** Jun. 13, 2023**

(54) **SLING BAR**

(71) Applicant: **Liko Research & Development AB**,
Luleå (SE)

(72) Inventors: **Alejandro Noe Conejo Castaño**,
Batesville, IN (US); **Todd P. O’Neal**,
Fairfield, OH (US); **Christian H.**
Reinke, York, SC (US); **Scott M.**
Corbin, Sunman, IN (US)

(73) Assignee: **LIKO RESEARCH &**
DEVELOPMENT AB, Luleå (SE)

(**) Term: **15 Years**

(21) Appl. No.: **29/777,420**

(22) Filed: **Apr. 6, 2021**

(51) **LOC (14) Cl.** **12-05**

(52) **U.S. Cl.**
USPC **D34/35**

(58) **Field of Classification Search**
USPC D34/28, 35; D8/358, 360; D21/673,
D21/679, 682

(Continued)

(56) **References Cited**

U.S. PATENT DOCUMENTS

2,020,174 A 11/1935 Derossi
3,435,999 A 4/1969 Mantell

(Continued)

FOREIGN PATENT DOCUMENTS

AU 2008101113 B4 5/2014
CN 208626072 U 3/2019

(Continued)

OTHER PUBLICATIONS

rehabmart.com, retrieved on Jan. 5, 2022, two-point aluminum sling
bar for romedic patient lift slings, [https://www.rehabmart.com/
product/romedic-slingbar1-35921.html](https://www.rehabmart.com/product/romedic-slingbar1-35921.html) (Year: 2022).*

(Continued)

Primary Examiner — Cynthia Ramirez

(74) *Attorney, Agent, or Firm* — Dinsmore & Shohl LLP

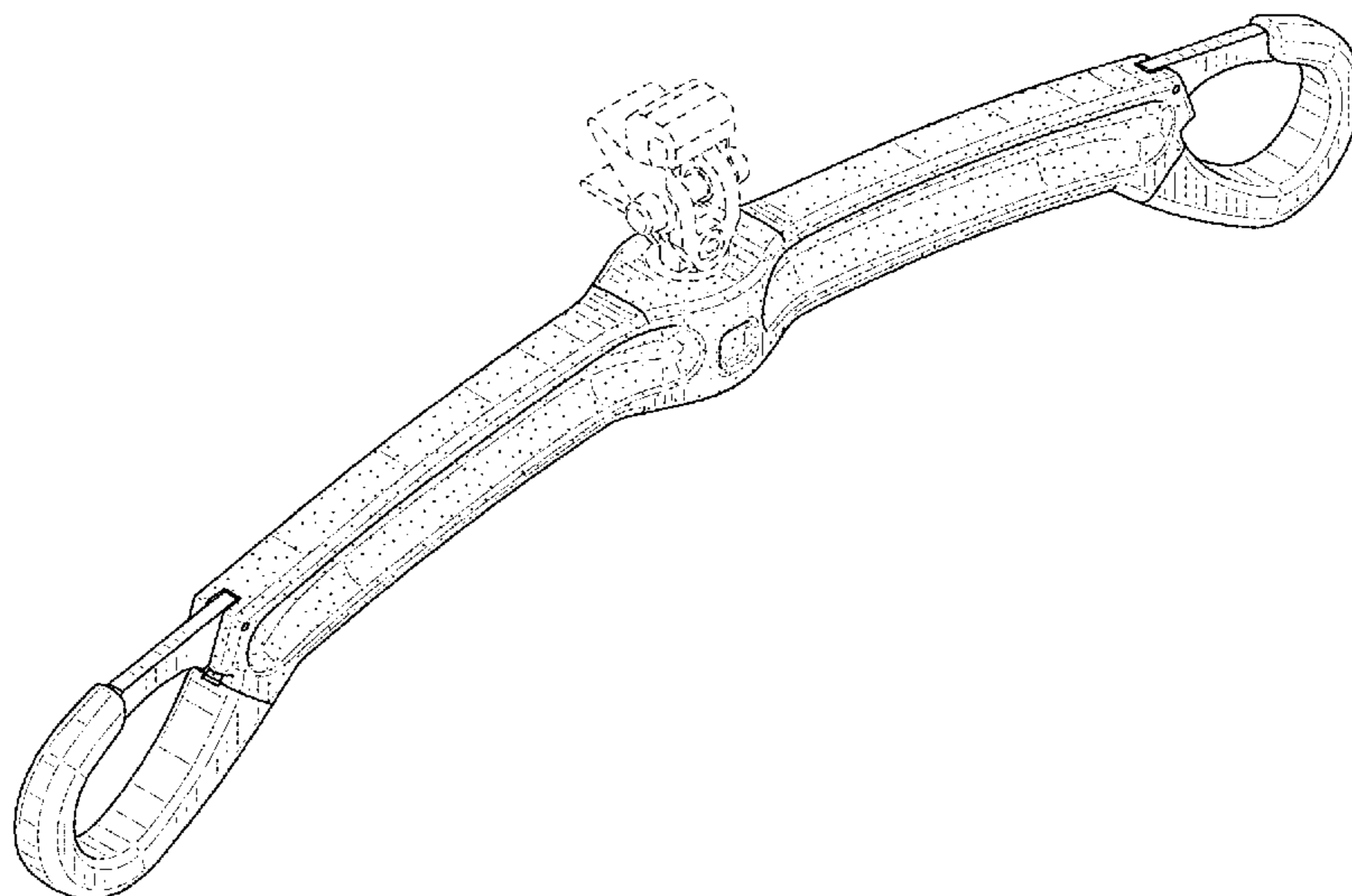
(57) **CLAIM**

The ornamental design for a sling bar, as shown and
described.

DESCRIPTION

FIG. 1 is a perspective view of a first embodiment including
a front, top, and side of a sling bar;
FIG. 2 a perspective view of the first embodiment including
a rear, bottom, and side of the sling bar;
FIG. 3 is a front elevation view of the sling bar;
FIG. 4 is a rear elevation view of the sling bar;
FIG. 5 is a side elevation view of the sling bar;
FIG. 6 is an opposite side elevation view of the sling bar;
FIG. 7 is a top plan view of the sling bar;
FIG. 8 is a bottom plan view of the sling bar;
FIG. 9 is a perspective view of a second embodiment
including a front, top, and side of a sling bar;
FIG. 10 is a perspective view of the second embodiment
including a rear, bottom, and side of the sling bar;
FIG. 11 is a front elevation view of the sling bar;
FIG. 12 is a rear elevation view of the sling bar;
FIG. 13 is a side elevation view of the sling bar;
FIG. 14 is an opposite side elevation view of the sling bar;
FIG. 15 is a top plan view of the sling bar;
FIG. 16 is a bottom plan view of the sling bar;
FIG. 17 is a perspective view of a third embodiment
including a front, top, and side of a sling bar;
FIG. 18 is a perspective view of the third embodiment
including a rear, bottom, and side of the sling bar;
FIG. 19 is a front elevation view of the sling bar;
FIG. 20 is a rear elevation view of the sling bar;
FIG. 21 is a side elevation view of the sling bar;
FIG. 22 is an opposite side elevation view of the sling bar;
FIG. 23 is a top plan view of the sling bar; and,
FIG. 24 is a bottom plan view of the sling bar.
The dashed broken lines throughout the figures depict por-
tions of the sling bar that form no part of the claimed design.
The stipple pattern in the figures is indicative of a contrast
in materials.

1 Claim, 15 Drawing Sheets



(58) **Field of Classification Search**
 CPC B66C 1/422; B66C 1/442; B66F 13/00;
 B66F 7/02; B66F 7/28; B66F 9/072;
 A61G 7/1042; A61G 7/1051; A61G
 7/1078; A61G 7/1061; A61G 7/1073
 See application file for complete search history.

D869,937 S * 12/2019 Walker D8/356
 D893,122 S * 8/2020 Saeger A61G 7/1061
 34/356
 10,799,409 B2 10/2020 Rydstrom et al.
 10,925,791 B2 2/2021 Chandan et al.
 D913,620 S * 3/2021 Hechler B66C 1/16
 D34/28
 D963,983 S * 9/2022 Gebhardt A61G 7/1015
 D34/35
 D971,545 S * 11/2022 Gardiner D34/35
 2006/0137091 A1 * 6/2006 Gramkow A61G 7/1015
 5/86.1

(56) **References Cited**

U.S. PATENT DOCUMENTS

3,463,369 A 8/1969 Moskowitz
 3,680,746 A 8/1972 Seckelmann
 3,972,553 A 8/1976 Johnston
 4,274,564 A 6/1981 Warmath
 4,556,158 A 12/1985 Blanchard et al.
 D297,878 S * 9/1988 Bergstrom D8/382
 4,826,228 A 5/1989 Dinitz et al.
 5,350,092 A 9/1994 Hollis
 D451,658 S * 12/2001 Czemerer D34/28
 6,523,195 B1 2/2003 Rodier et al.
 6,675,412 B2 1/2004 Faucher et al.
 7,284,745 B2 10/2007 Keane et al.
 7,341,506 B1 3/2008 Hogue
 7,434,787 B2 10/2008 Hjort
 7,654,593 B2 2/2010 Hjort
 7,802,328 B2 9/2010 Lingegard
 7,896,416 B2 3/2011 Carter
 D685,974 S * 7/2013 Price D34/28
 8,844,904 B2 9/2014 Bogh-Sorensen
 D728,039 S * 4/2015 Groshek D21/679
 9,084,709 B2 7/2015 Karlsson et al.
 D744,714 S * 12/2015 Yamanaka D34/28
 9,222,498 B2 12/2015 Faucher et al.
 9,693,922 B2 7/2017 Andersson et al.
 9,700,474 B2 7/2017 Karlsson et al.
 9,757,297 B2 9/2017 Arespong et al.
 10,010,468 B2 7/2018 Duquette et al.
 D827,734 S * 9/2018 Exley D21/673
 D854,275 S 7/2019 Westwood et al.

2008/0222859 A1 9/2008 Chepurny et al.
 2010/0043140 A1 2/2010 Chepurny
 2010/0270252 A1 10/2010 Chepurny et al.
 2011/0185495 A1 8/2011 Robert-Jones et al.
 2011/0219538 A1 9/2011 Mewattie et al.
 2016/0184158 A1 6/2016 Tu
 2017/0027796 A1 2/2017 Kaikenger
 2018/0369044 A1 12/2018 Lyckestig et al.
 2020/0170864 A1 * 6/2020 Newman A61G 7/10
 2020/0360212 A1 * 11/2020 Chepurny A61G 7/10
 2021/0154070 A1 * 5/2021 Linde A61G 7/1017
 2021/0316964 A1 * 10/2021 Conejo Castaño B66C 1/16
 2022/0079824 A1 * 3/2022 Reinke A61G 7/1042
 2023/0000705 A1 * 1/2023 Owen A61G 7/1078

FOREIGN PATENT DOCUMENTS

DE 202017005436 U1 12/2017
 EP 3510987 A1 7/2019
 WO 2019213785 A1 11/2019

OTHER PUBLICATIONS

Amico "Installation and Operation Instructions GoLift Patient Lift
 (400 lbs & 700 lbs)" Amico Mobility Solutions Corporation, Dec.
 19, 2019, pp. 1-28.

* cited by examiner

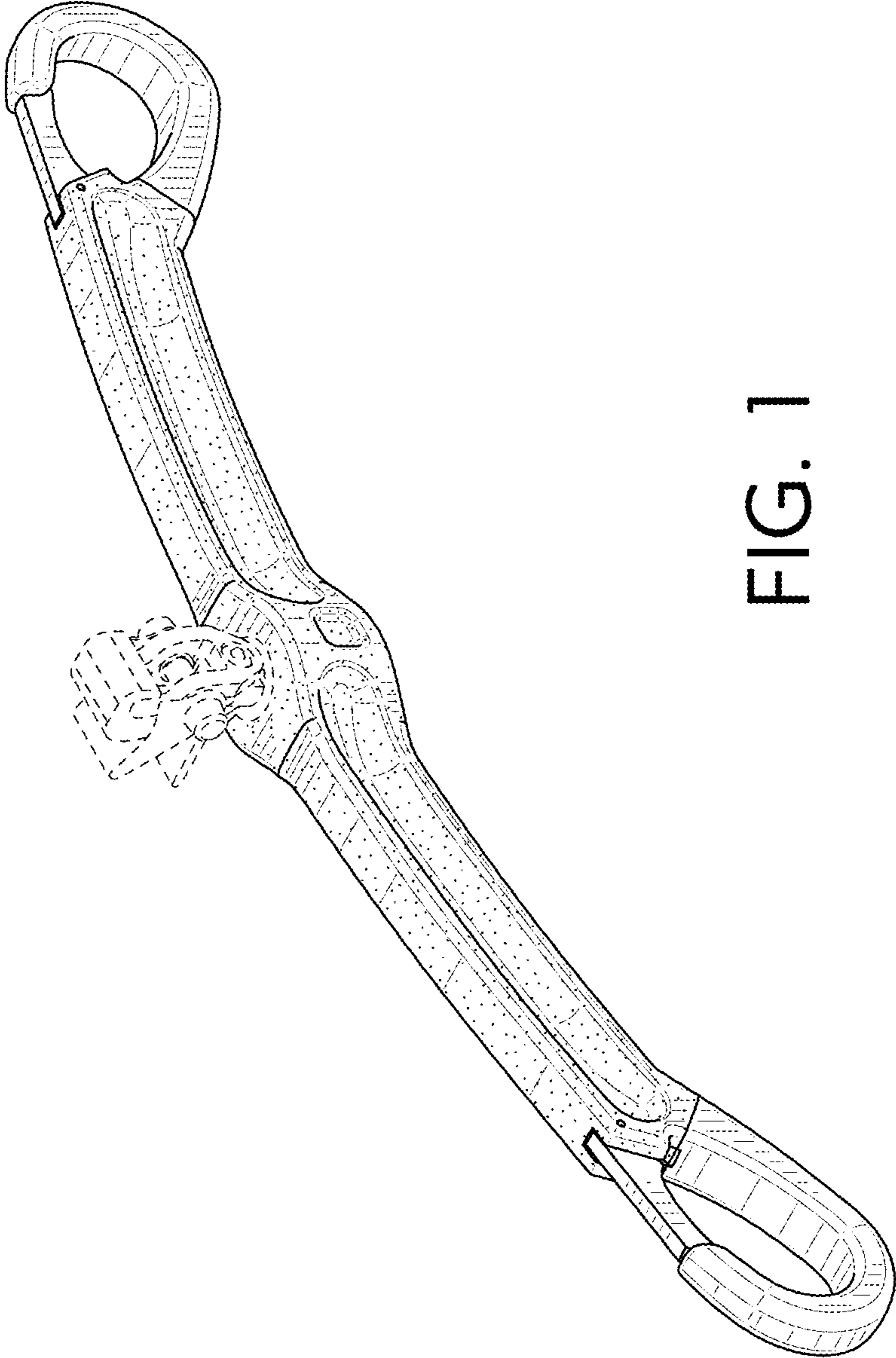


FIG. 1

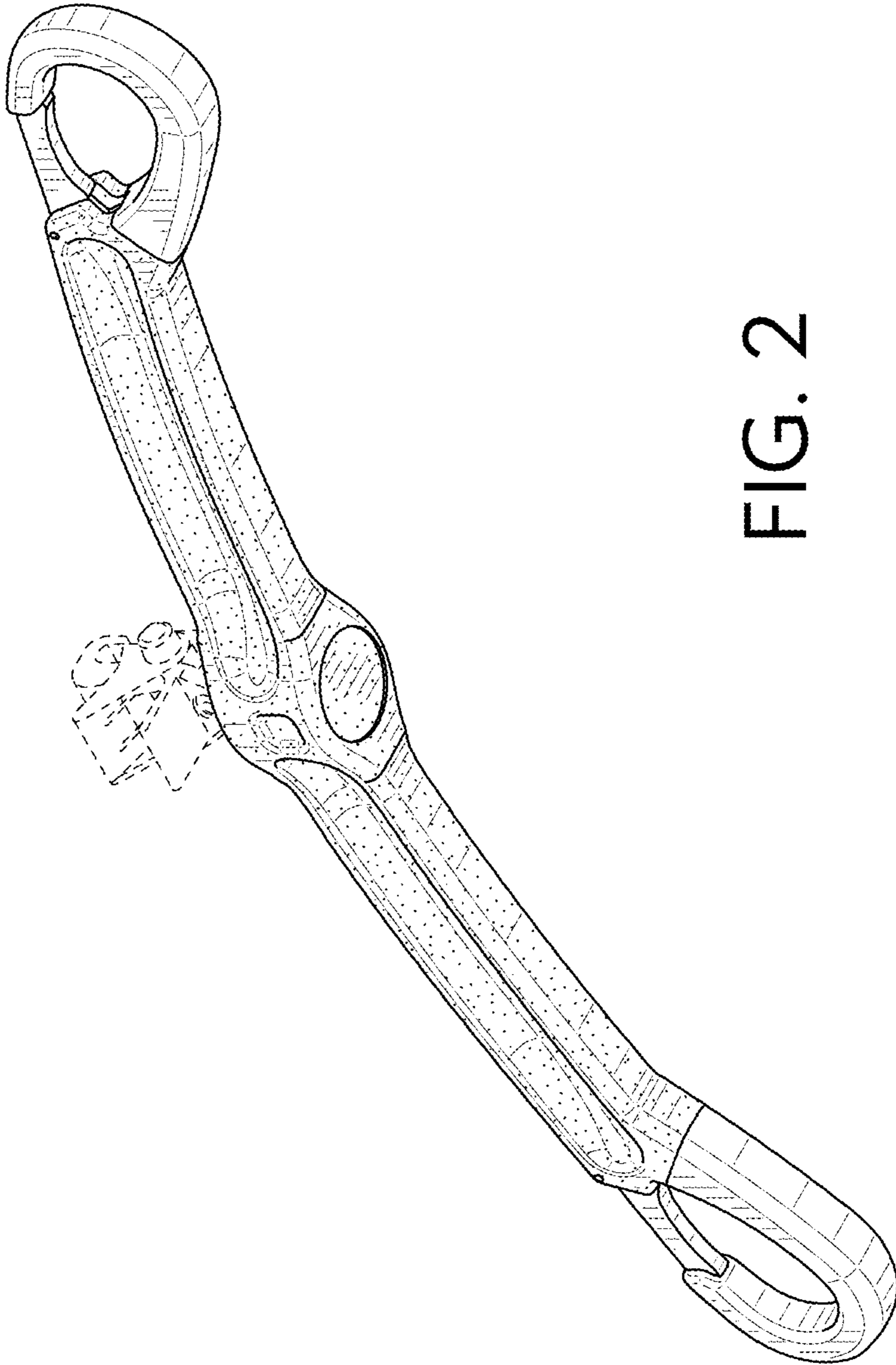


FIG. 2

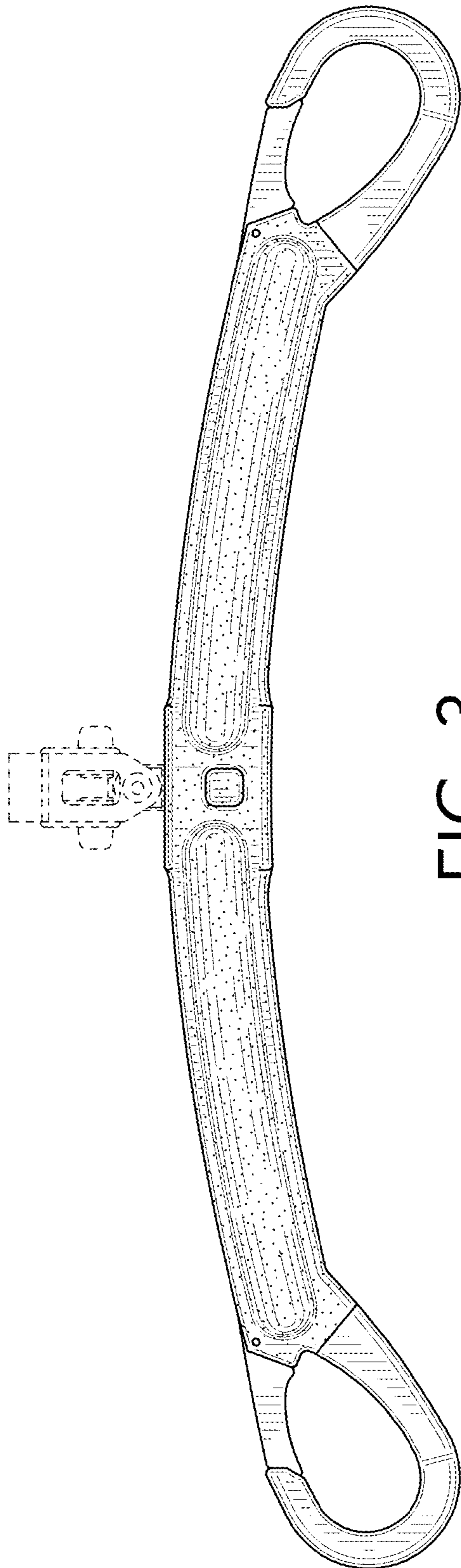


FIG. 3

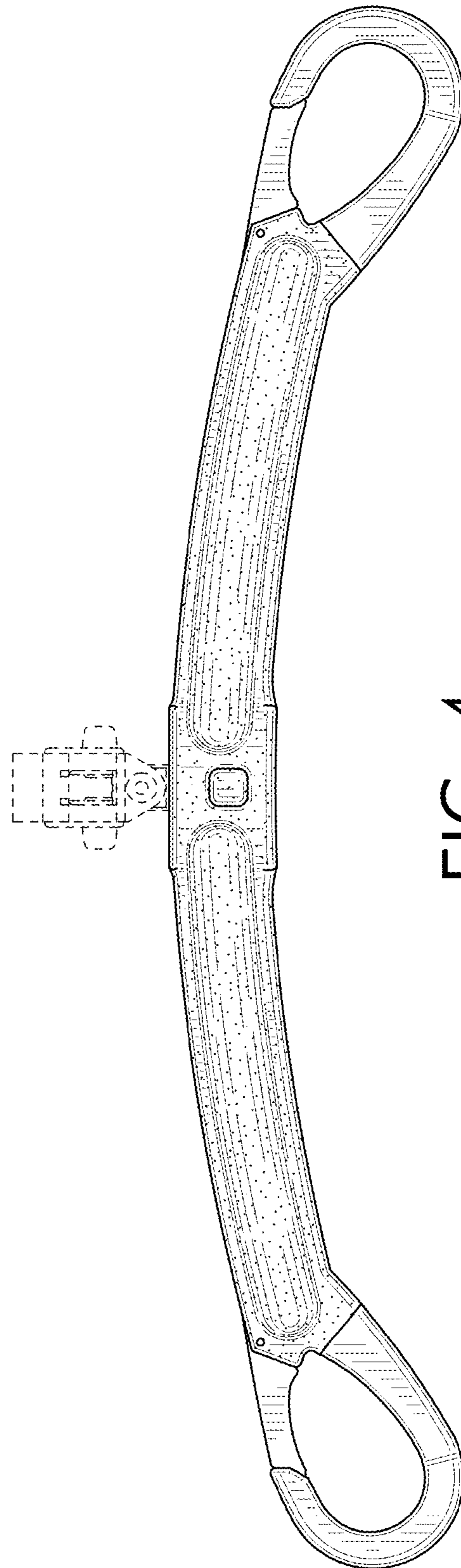


FIG. 4

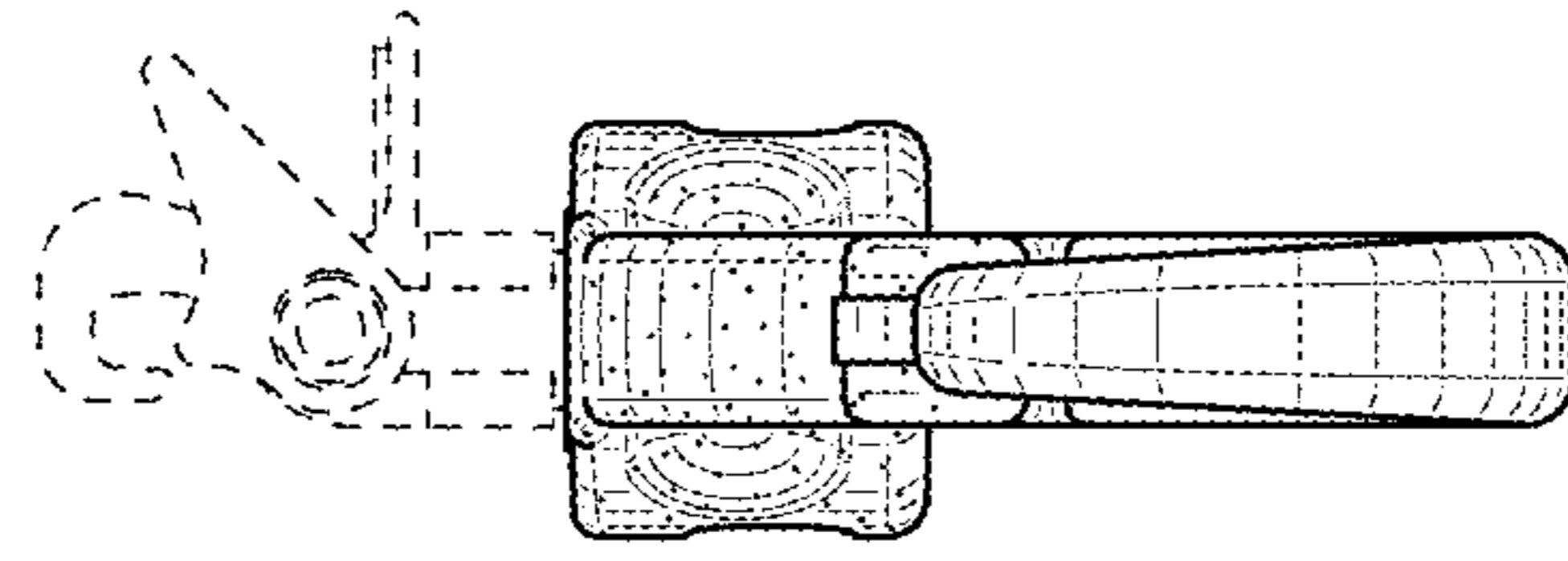


FIG. 6

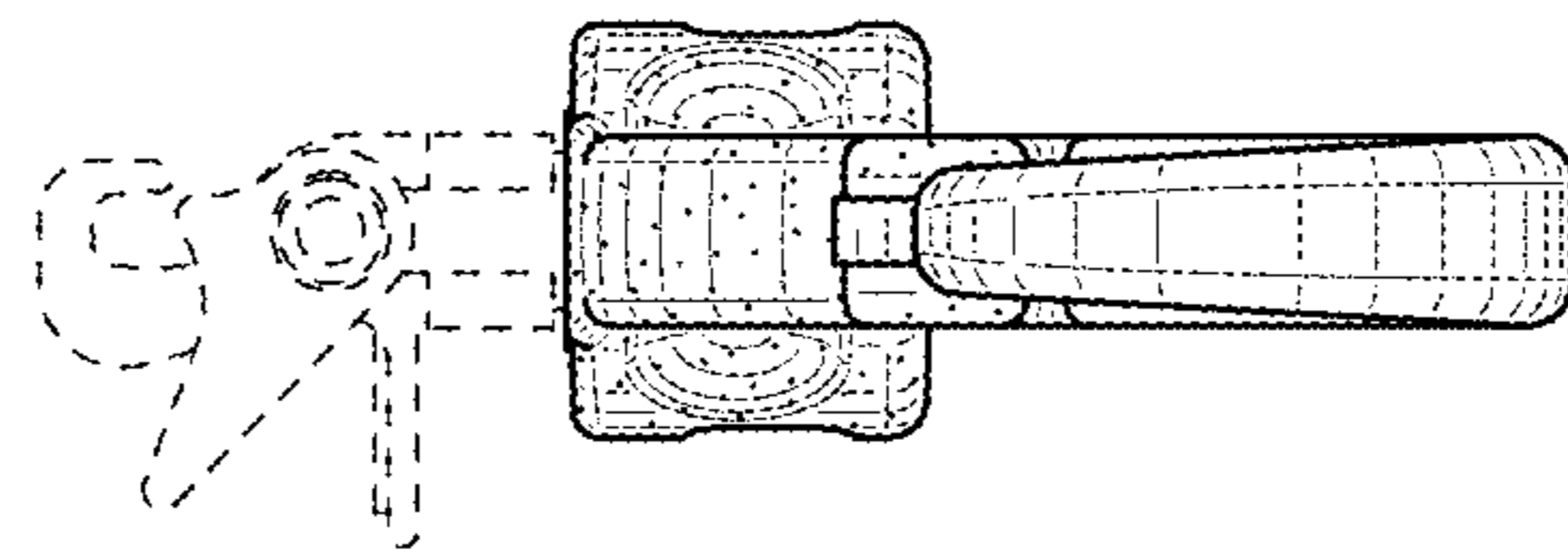


FIG. 5

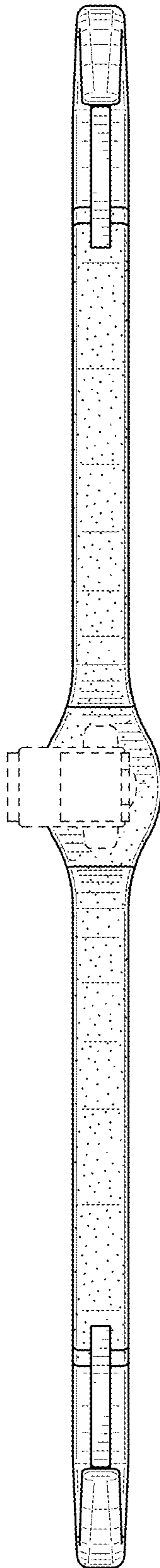


FIG. 7

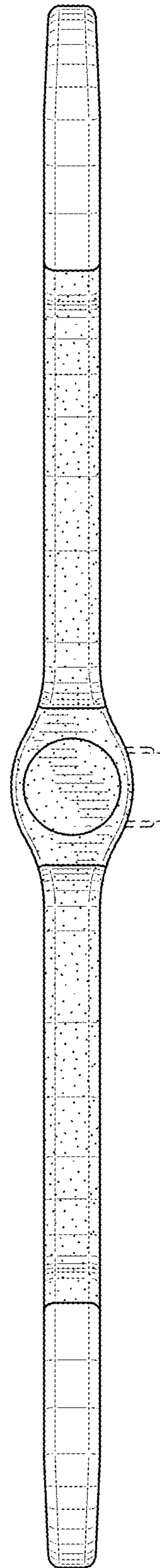


FIG. 8

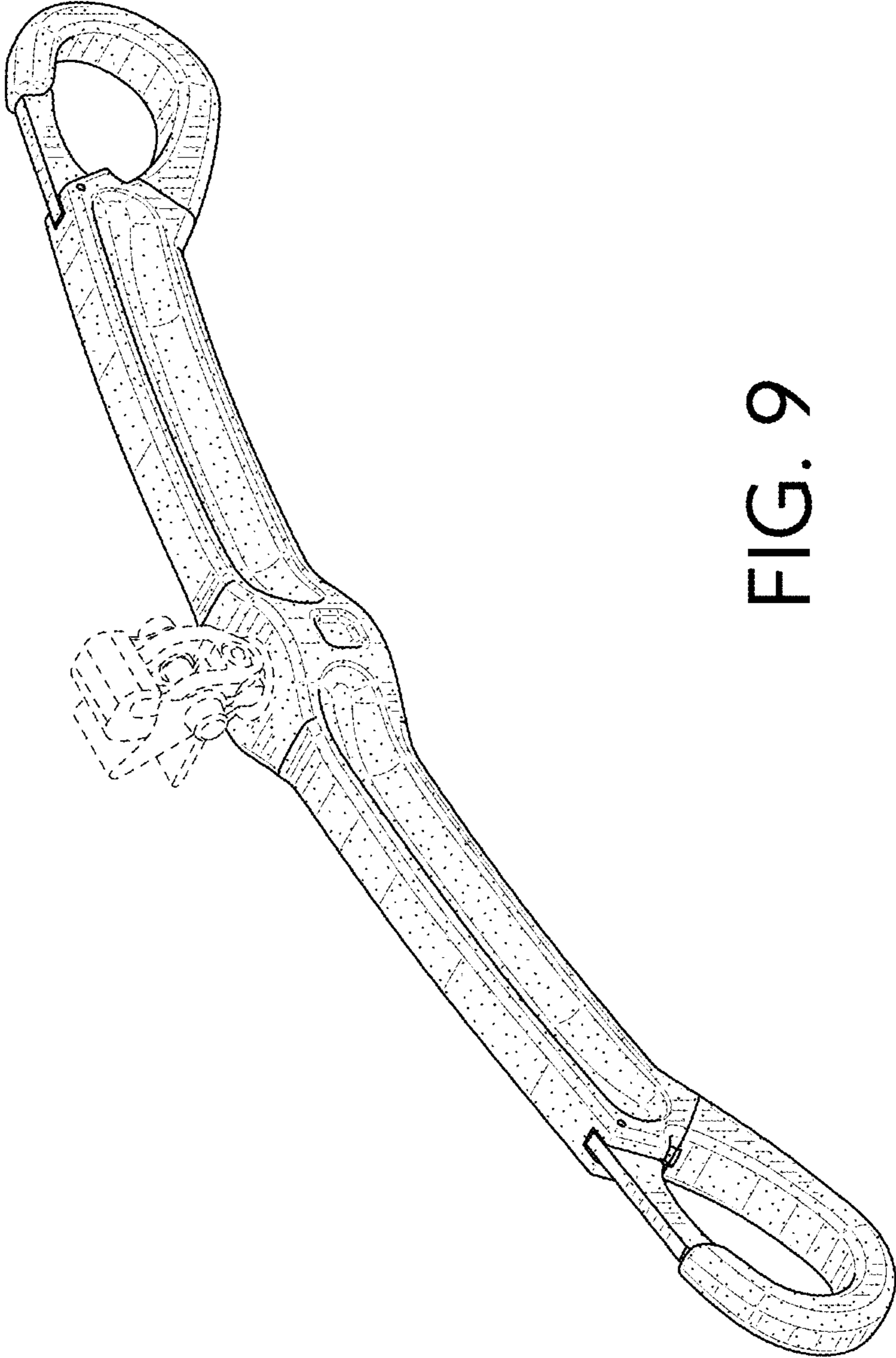


FIG. 9

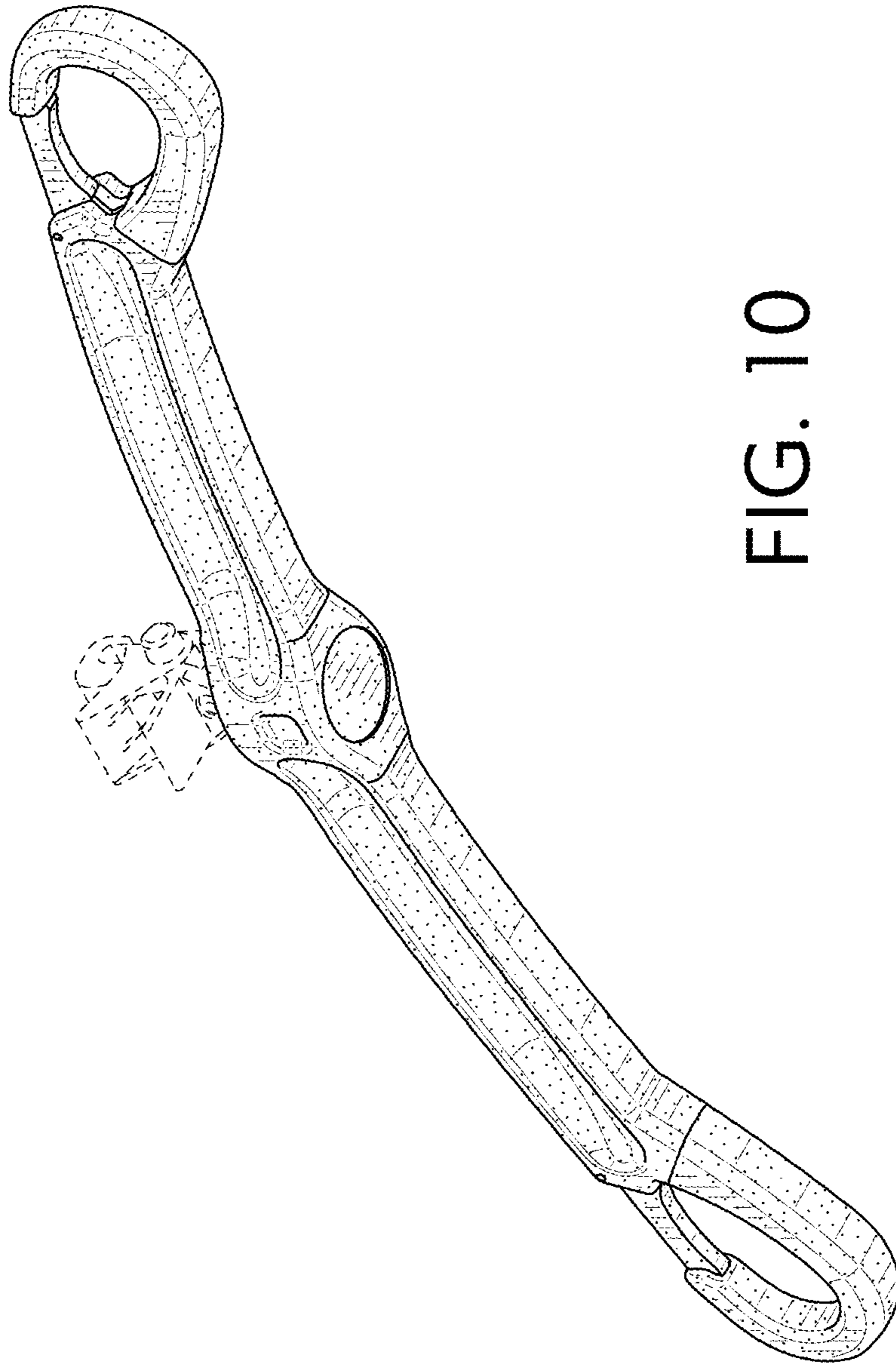


FIG. 10

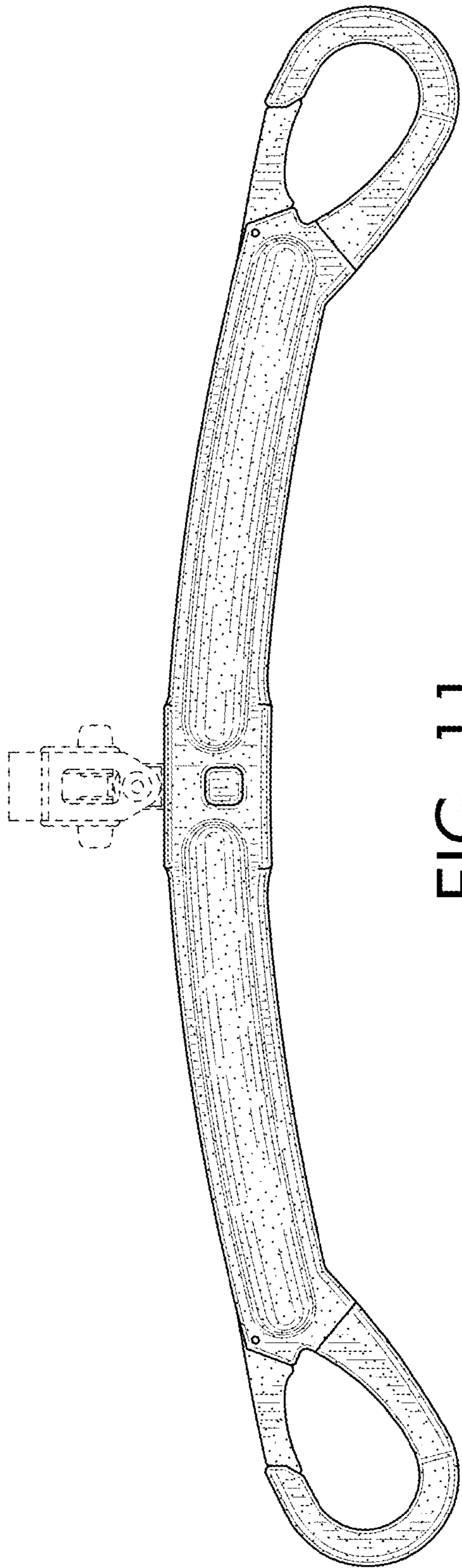


FIG. 11

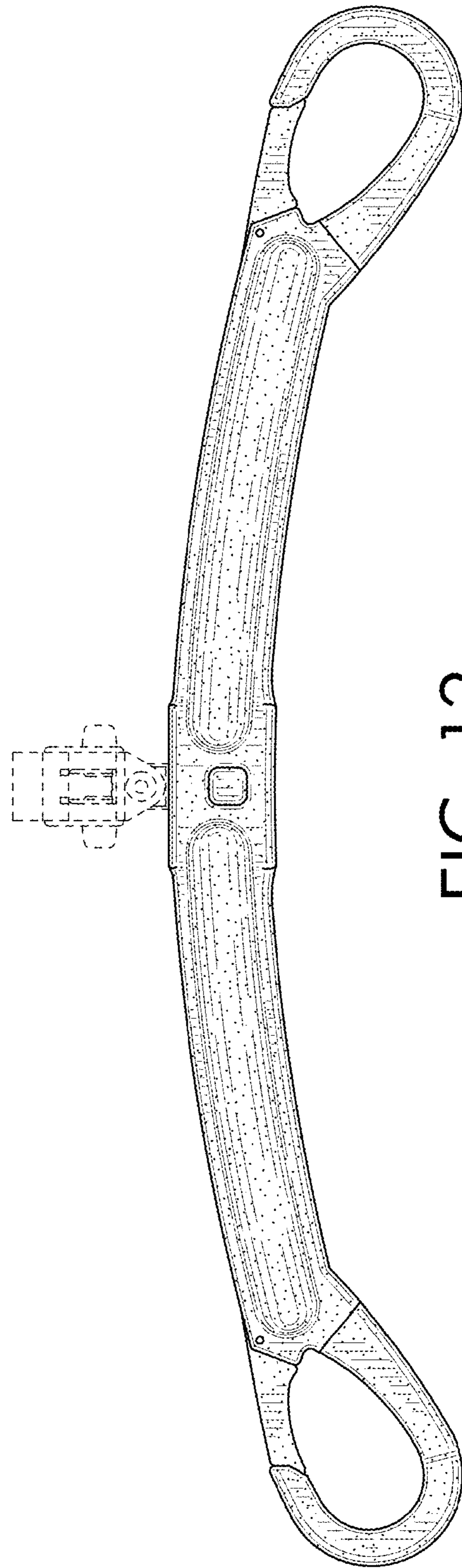


FIG. 12

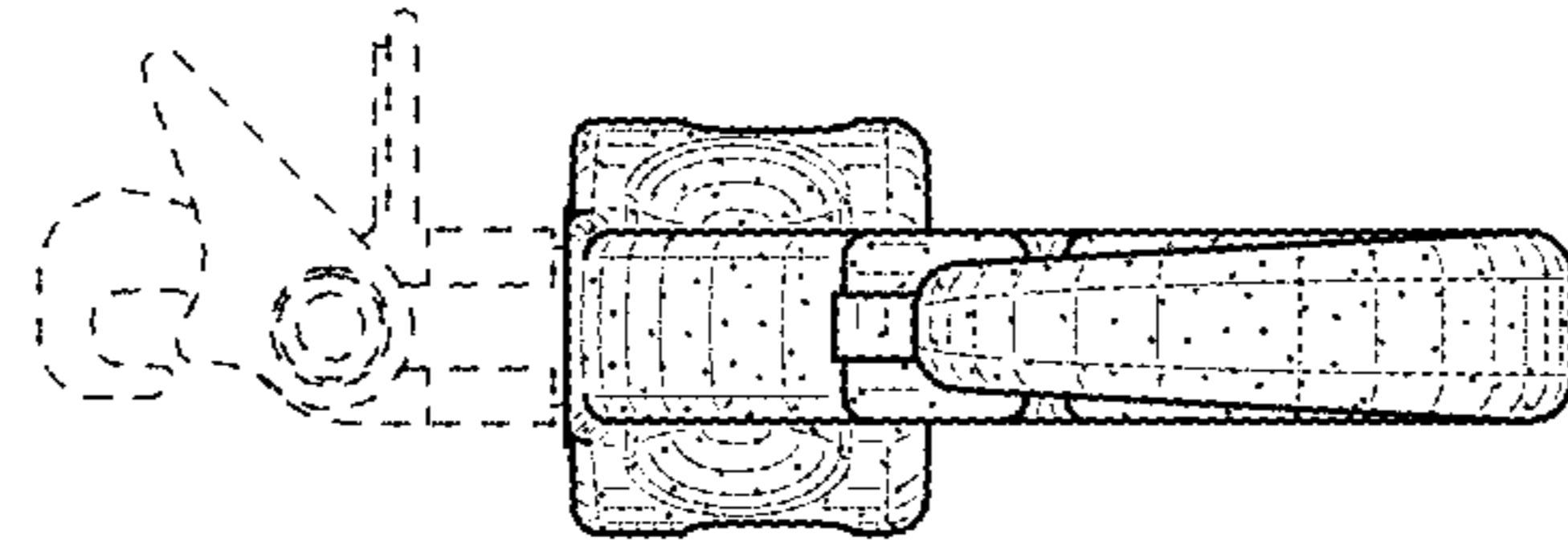


FIG. 14

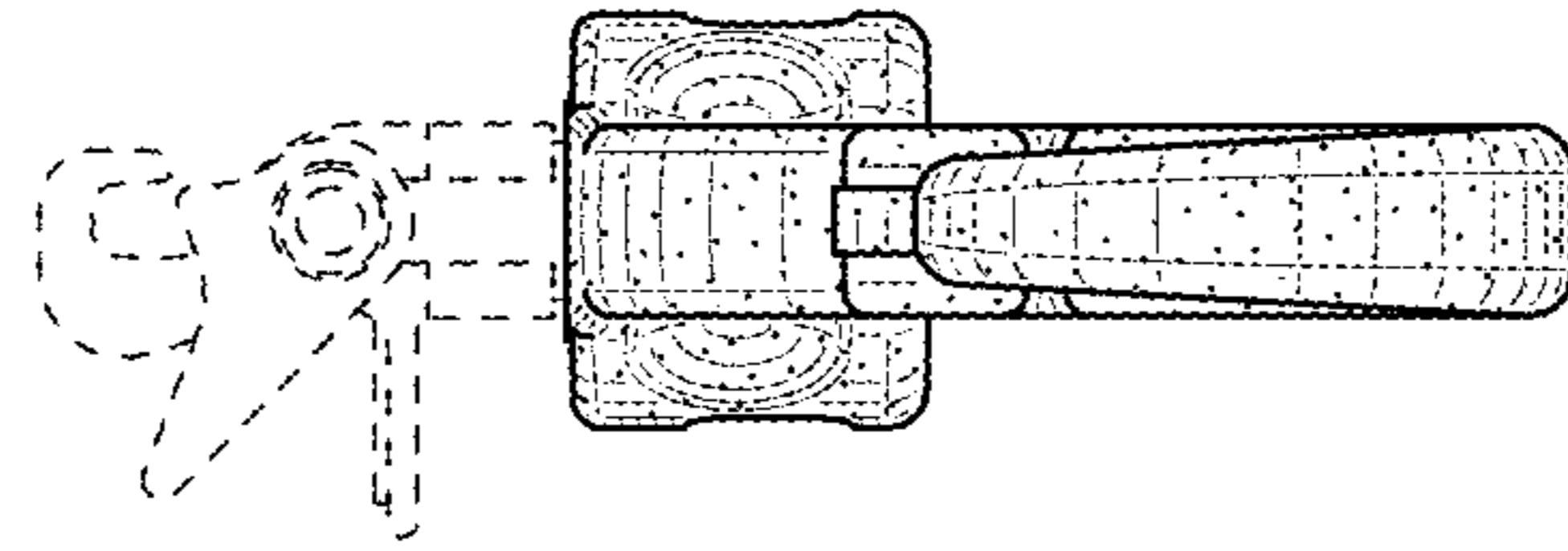


FIG. 13

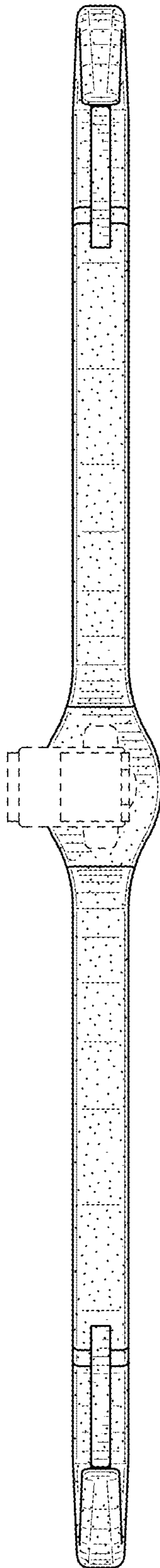


FIG. 15

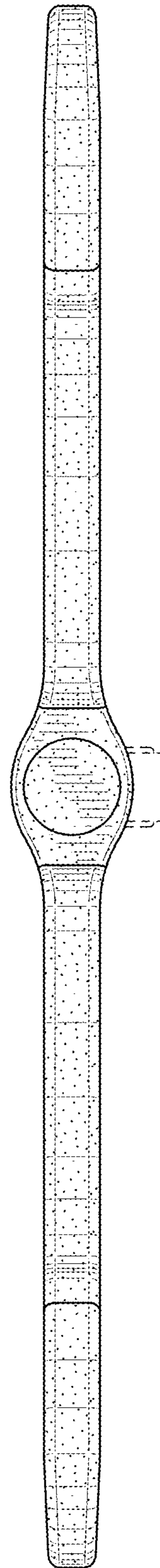


FIG. 16

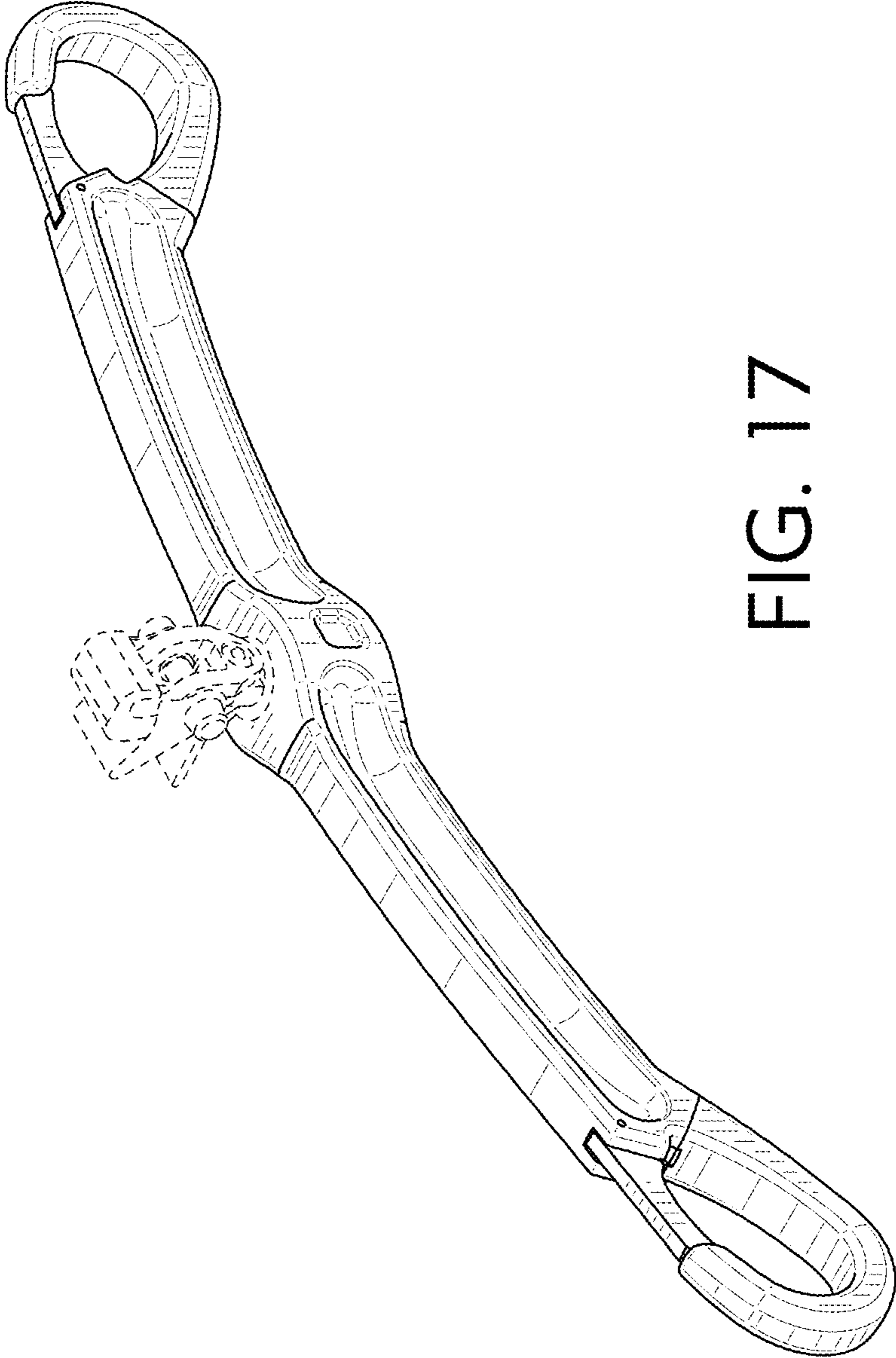


FIG. 17

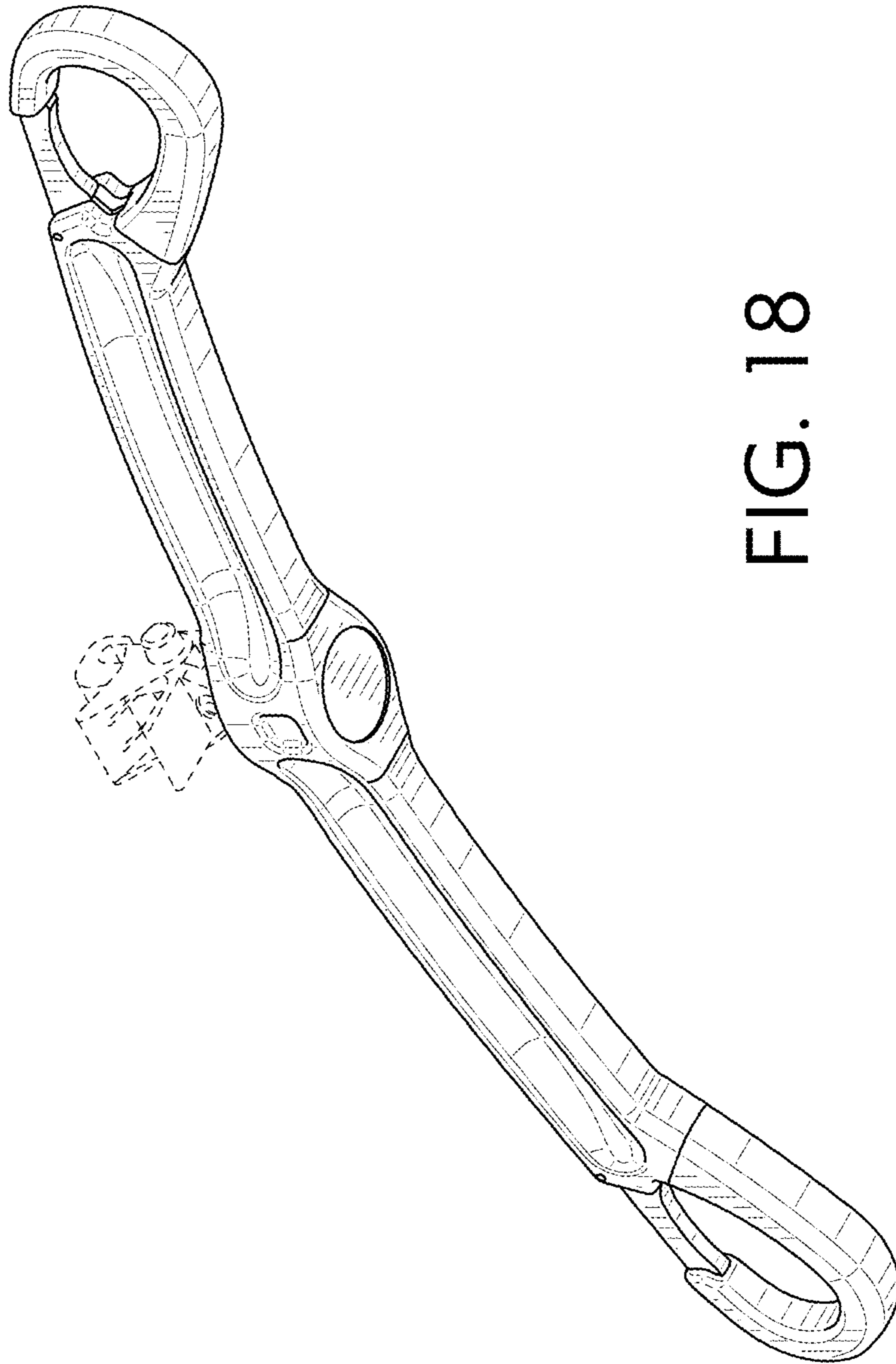


FIG. 18

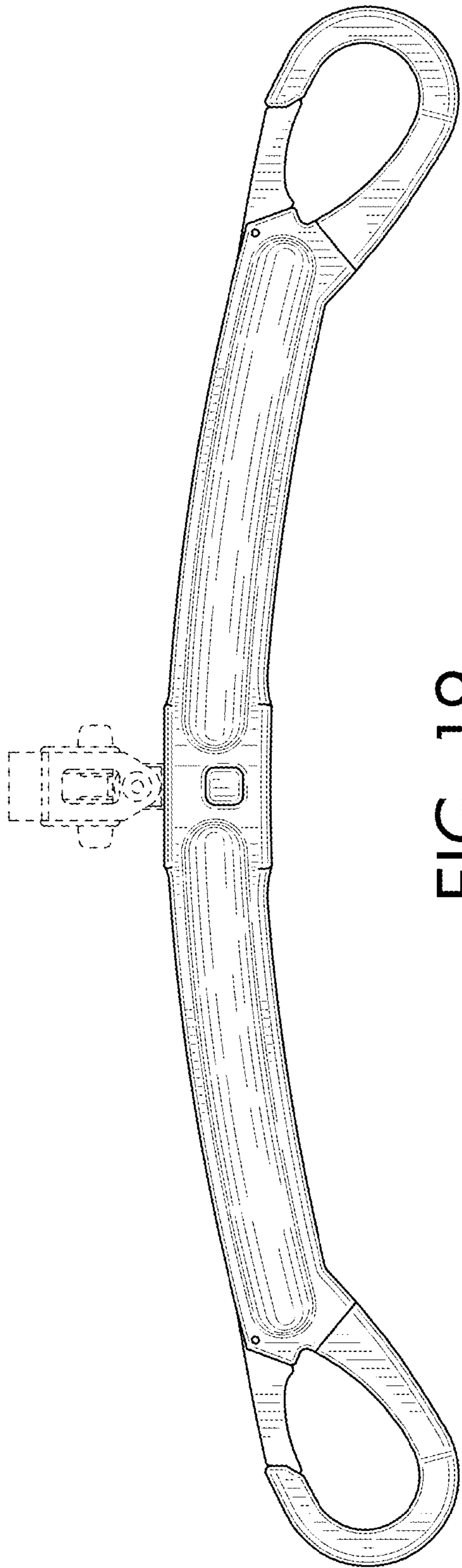


FIG. 19

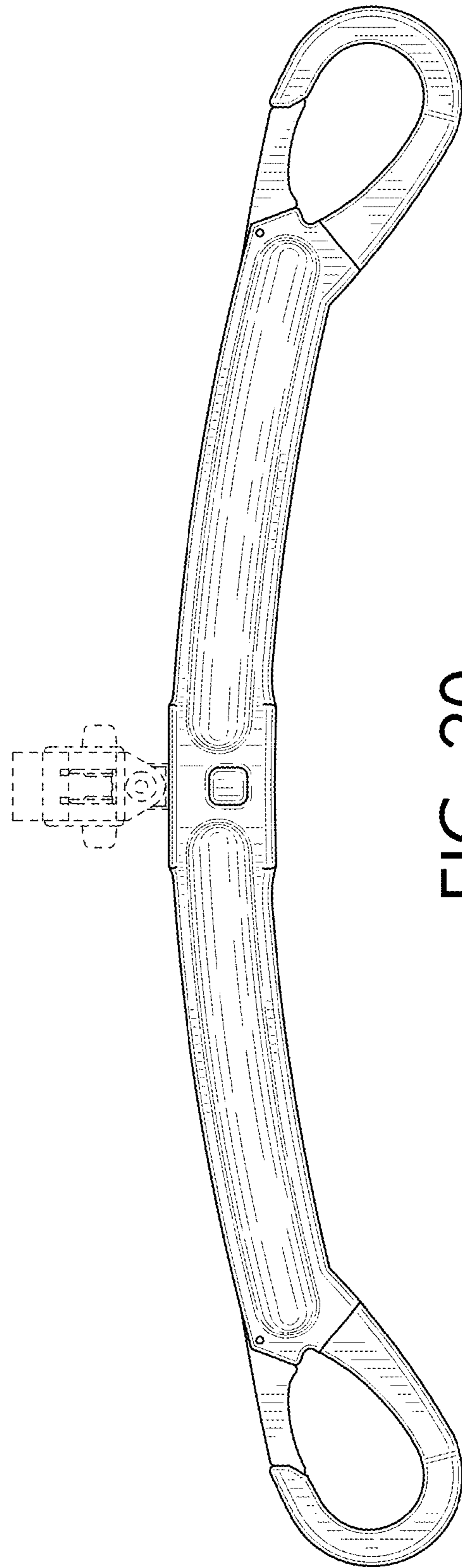


FIG. 20

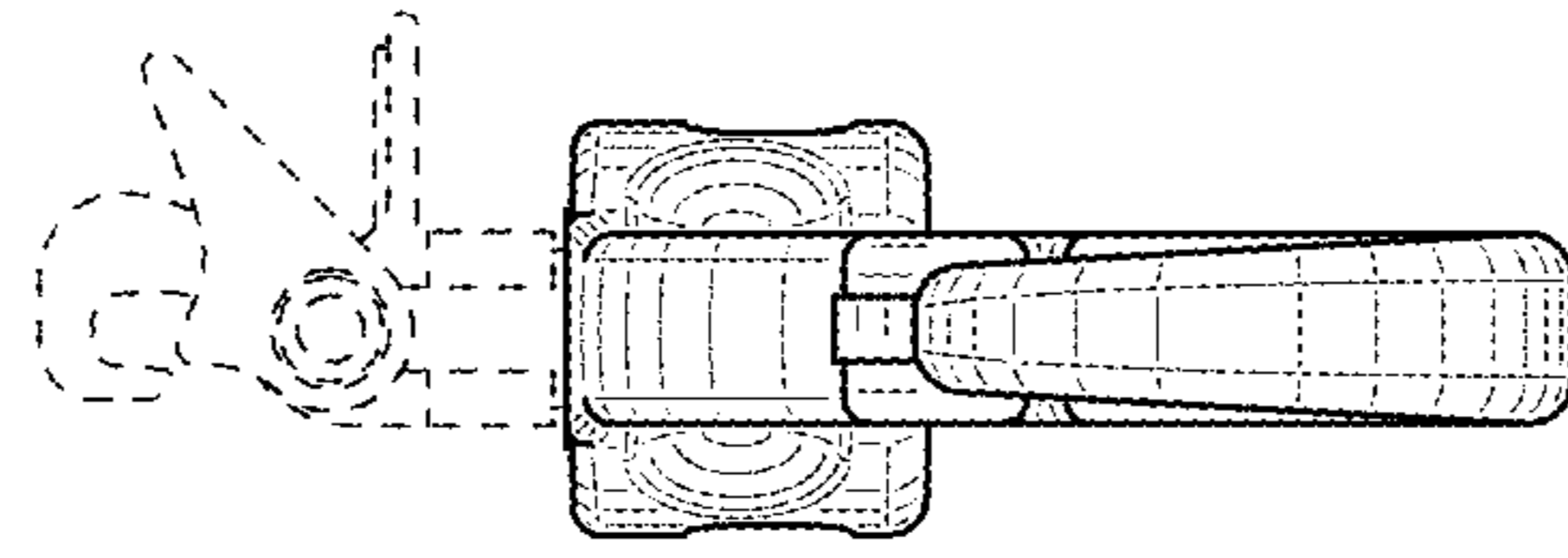


FIG. 22

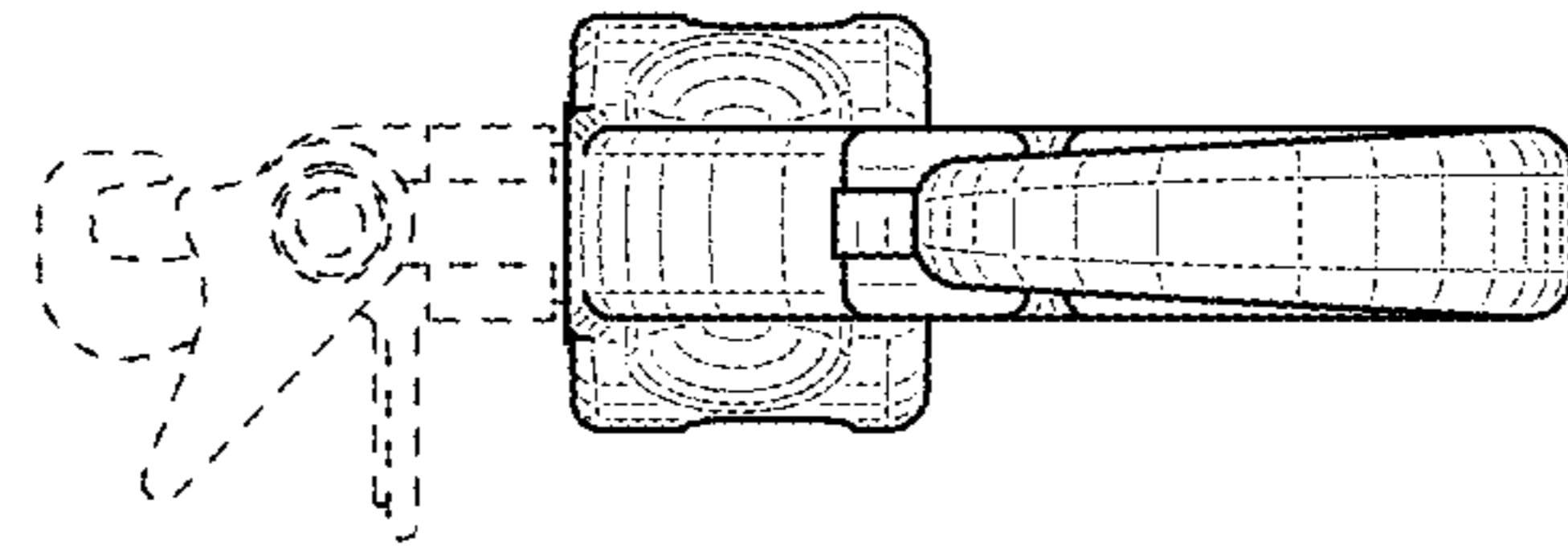


FIG. 21

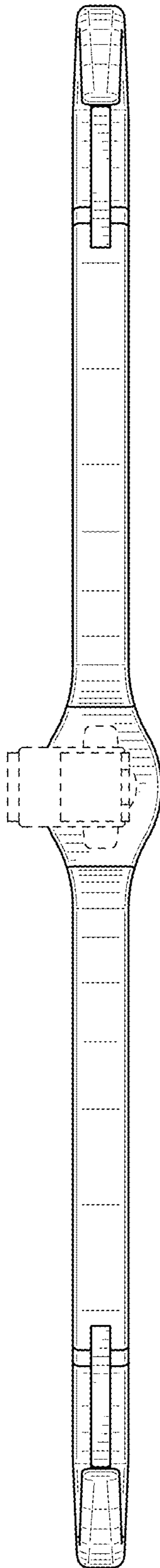


FIG. 23

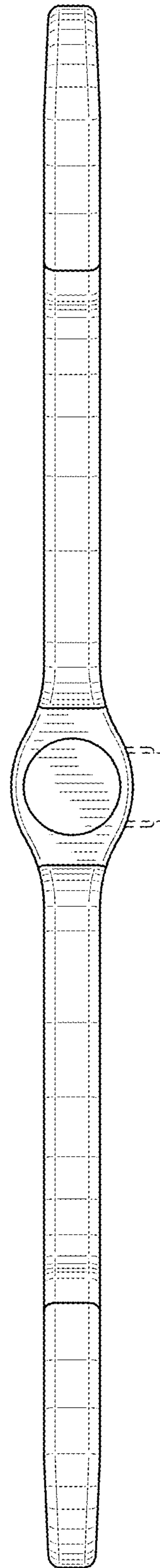


FIG. 24

UNITED STATES PATENT AND TRADEMARK OFFICE
CERTIFICATE OF CORRECTION


PATENT NO. : D989,435 S
APPLICATION NO. : 29/777420
DATED : June 13, 2023
INVENTOR(S) : Alejandro Noe Conejo Castaño et al.

Page 1 of 1

It is certified that error appears in the above-identified patent and that said Letters Patent is hereby corrected as shown below:

On the Title Page

Line 3 (under DESCRIPTION): Delete “**FIG. 2 a perspective view of the first embodiment including**” and insert -- **FIG. 2 is a perspective view of the first embodiment including** --, therefor.

Signed and Sealed this
Fifth Day of September, 2023

Katherine Kelly Vidal
Director of the United States Patent and Trademark Office