



US00D989434S

(12) **United States Design Patent**
McFarlane

(10) **Patent No.:** **US D989,434 S**

(45) **Date of Patent:** **** Jun. 13, 2023**

(54) **SECTION**

D476,090 S * 6/2003 Franson D25/124
(Continued)

(71) Applicant: **Bomac Engineering Pty. Ltd.**, Hallam (AU)

Primary Examiner — Cynthia Ramirez
(74) *Attorney, Agent, or Firm* — McDonnell Boehnen Hulbert & Berghoff LLP

(72) Inventor: **Tate McFarlane**, Hallam (AU)

(73) Assignee: **Bomac Engineering Pty. Ltd.**, Hallam (AU)

(57) **CLAIM**

The ornamental design for a section as shown and described.

(**) Term: **15 Years**

(21) Appl. No.: **29/733,262**

DESCRIPTION

(22) Filed: **Apr. 30, 2020**

DESCRIPTION OF THE FIGURES

(51) **LOC (14) Cl.** **12-05**

FIG. 1 is an upper end perspective view of a section from a first side thereof;

(52) **U.S. Cl.**
USPC **D25/119; D34/35**

FIG. 2 is an upper end perspective view of the section shown in FIG. 1 from a second side thereof;

(58) **Field of Classification Search**
USPC D34/35, 32, 33; D25/119, 122, 124, 125, D25/128

FIG. 3 is a lower end perspective view of the section shown in FIG. 1 from the second side;

CPC B66C 6/00; B66C 1/00; B66C 7/00; B66C 7/02; B66C 7/04; B66C 7/08; E04C 2003/0404; E04C 2003/0408; E04C 2003/0426; E04C 2003/0434; E04C 2003/0443; E04C 2003/0452; E04C 2003/0456; E04C 2003/0465; E04C 2003/02;

FIG. 4 is a lower end perspective view of the section shown in FIG. 1 from the first side;

See application file for complete search history.

FIG. 5 an elevation view of the end of the section shown in FIG. 1;

(56) **References Cited**

U.S. PATENT DOCUMENTS

4,987,717 A * 1/1991 Dameron, Jr. E04B 7/00 52/11
D356,418 S * 3/1995 Makimura D25/124
D398,029 S * 9/1998 Falls et al. D20/44
D410,552 S * 6/1999 Gabriele D25/122
D426,649 S * 6/2000 Siudzinski et al. D25/124

FIG. 6 is an upper end perspective view of a second embodiment of a section from a first side thereof;

FIG. 7 is an upper end perspective view of the section shown in FIG. 6 from a second side thereof;

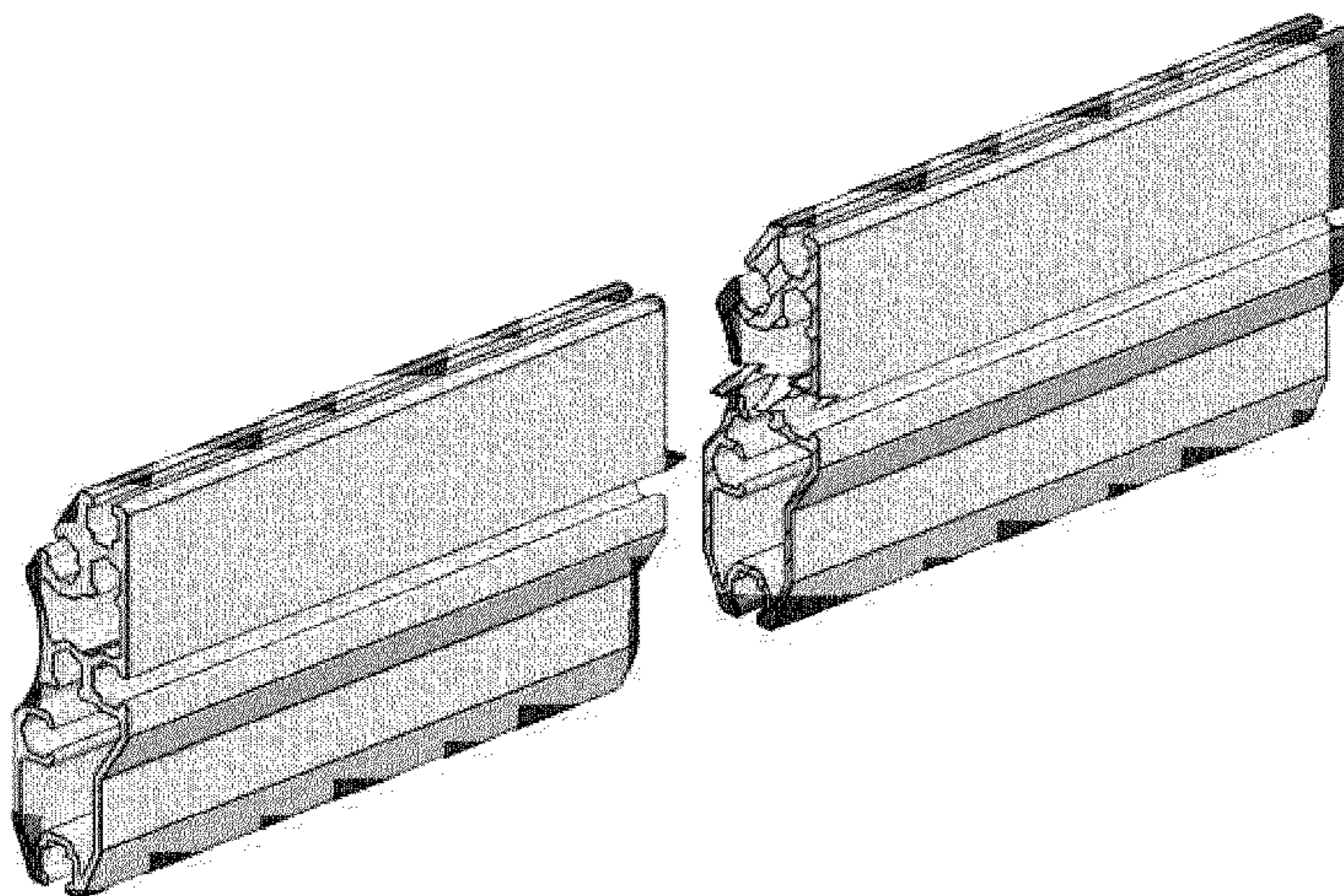
FIG. 8 is a lower end perspective view of the section shown in FIG. 6 from the second side;

FIG. 9 is a lower end perspective view of the section shown in FIG. 6 from the first side; and

FIG. 10 an elevation view of the end of the section shown in FIG. 6.

The section is shown with a symbolic break lines. The appearance of any portion of the section between the break lines forms no part of the claimed design.

1 Claim, 10 Drawing Sheets



(56)

References Cited

U.S. PATENT DOCUMENTS

D481,468	S	*	10/2003	Dallaire	D25/119
D572,372	S	*	7/2008	Koch	B66C 7/02 D25/38.1
D584,427	S	*	1/2009	Chaney	D25/124
D584,474	S	*	1/2009	Campbell et al.	D34/29
D655,884	S	*	3/2012	Spies et al.	D34/35
D670,474	S	*	11/2012	Koch	B66C 7/02 D34/35
D693,489	S	*	11/2013	Wickland	D25/124
D714,468	S	*	9/2014	Fannan	D25/124
D718,883	S	*	12/2014	Thrush et al.	D25/124
D729,487	S	*	5/2015	Dockx	D34/35
D783,222	S	*	4/2017	Peterson et al.	D34/35
D855,831	S	*	8/2019	Desrosiers	D25/48.2
D874,783	S	*	2/2020	Neves	D34/35
D909,003	S	*	1/2021	Zurewich	D34/29
D909,702	S	*	2/2021	Zurewich	D34/29
D923,204	S	*	6/2021	Luvison	D25/124
D923,907	S	*	6/2021	Ueda et al.	D34/35
D924,439	S	*	7/2021	Luvison	D25/124
D933,330	S	*	10/2021	Brook et al.	D34/35
D936,328	S	*	11/2021	Wallace	D34/28

* cited by examiner

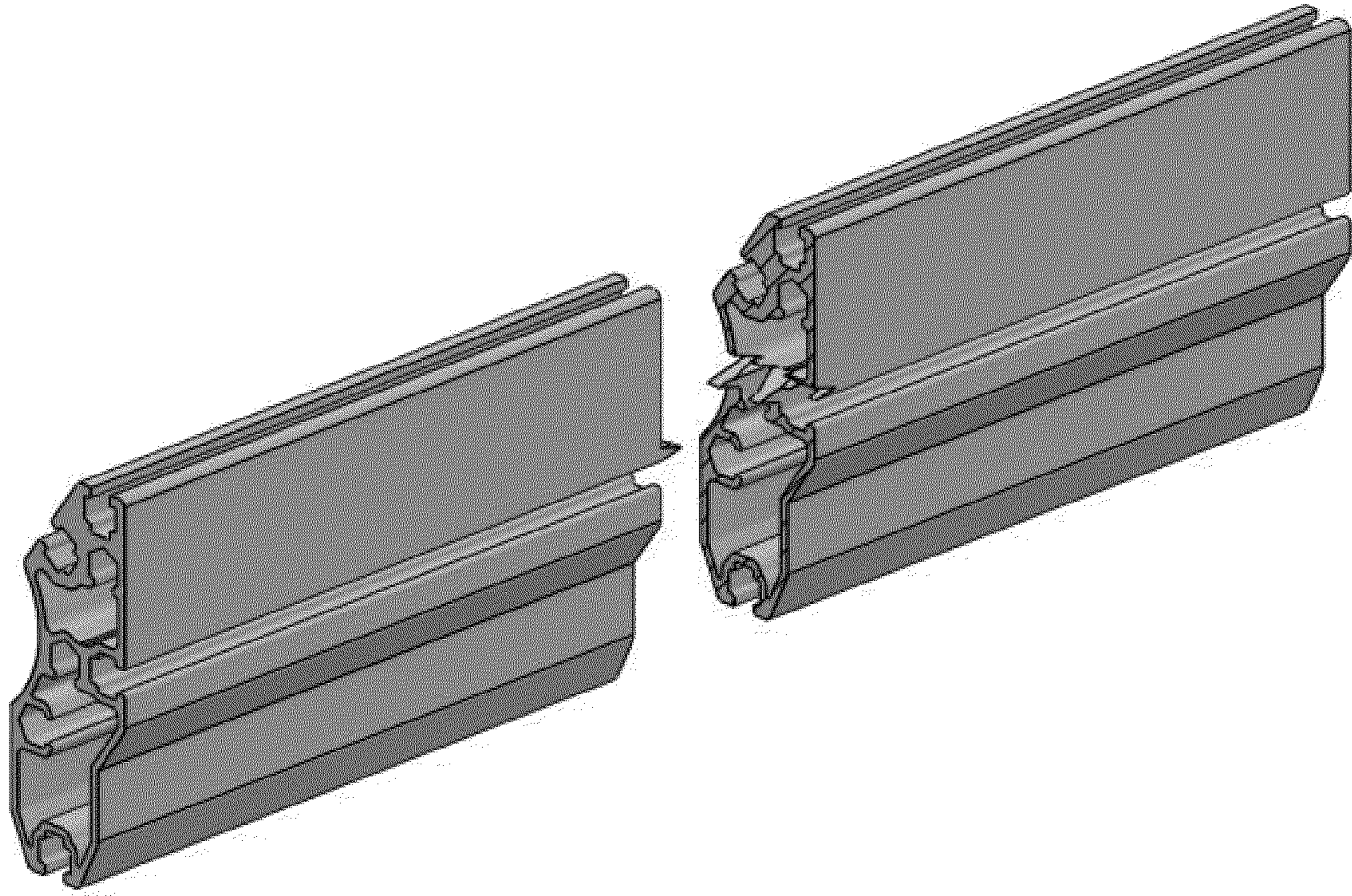


FIGURE 1

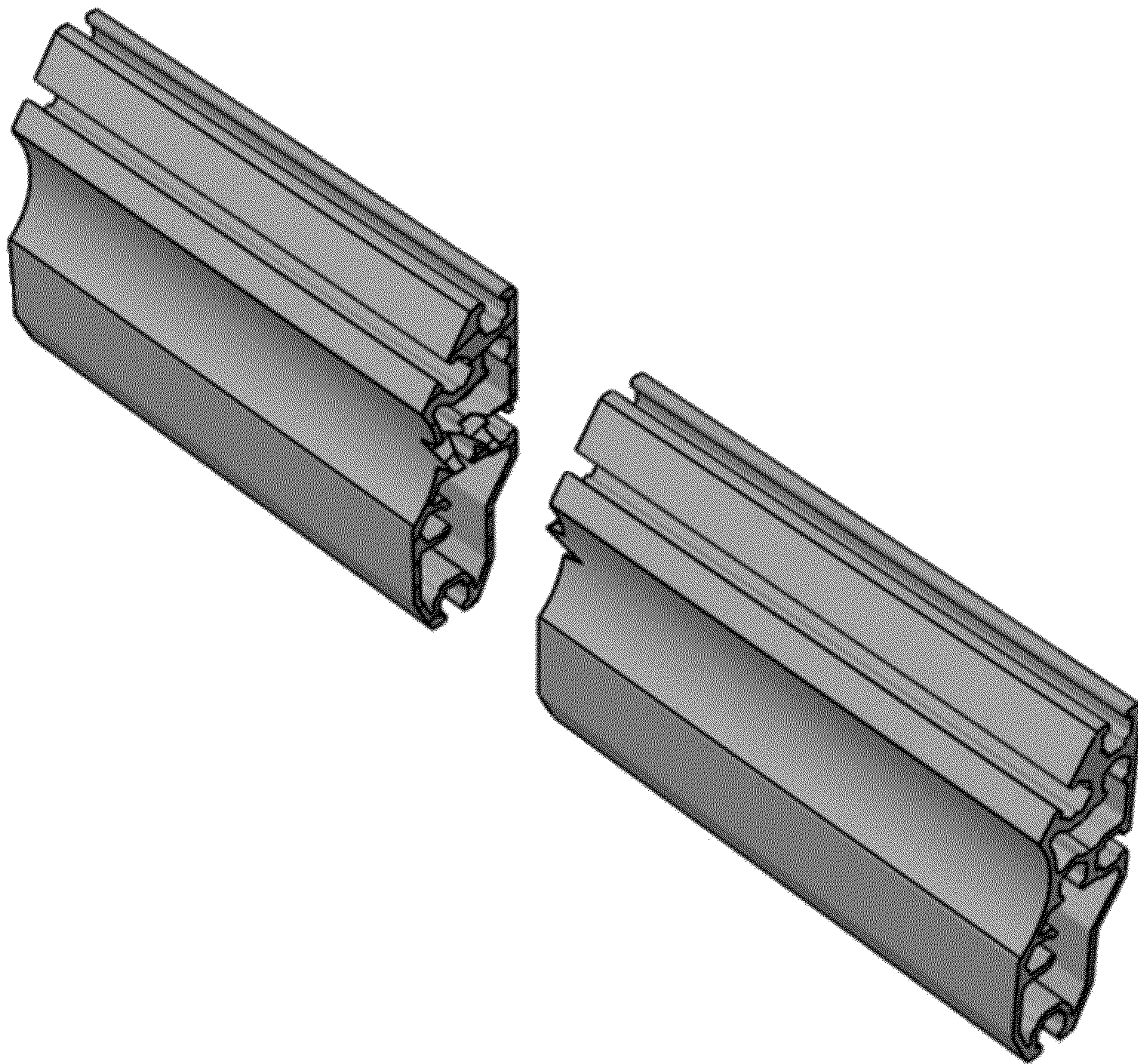


FIGURE 2

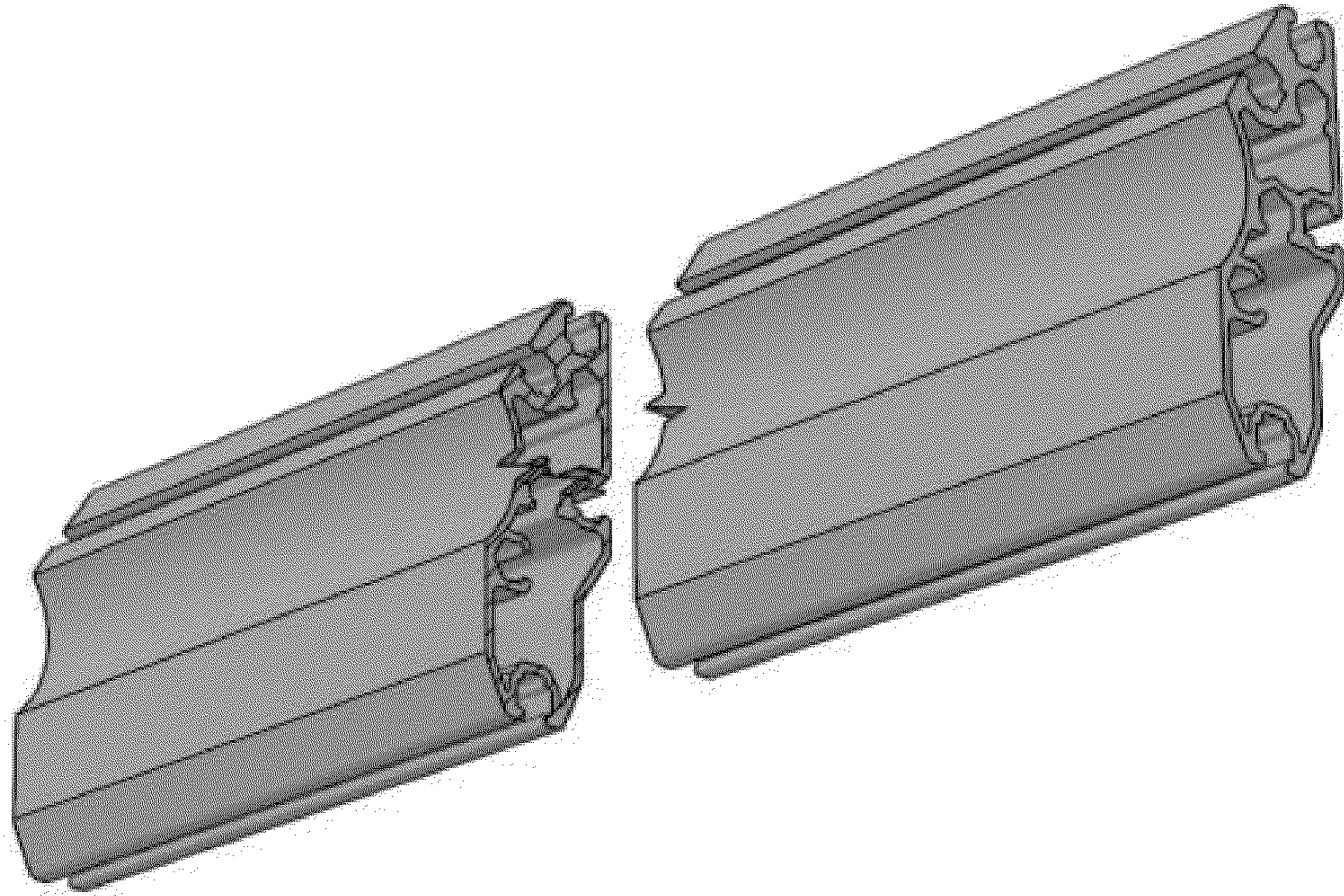


FIGURE 3

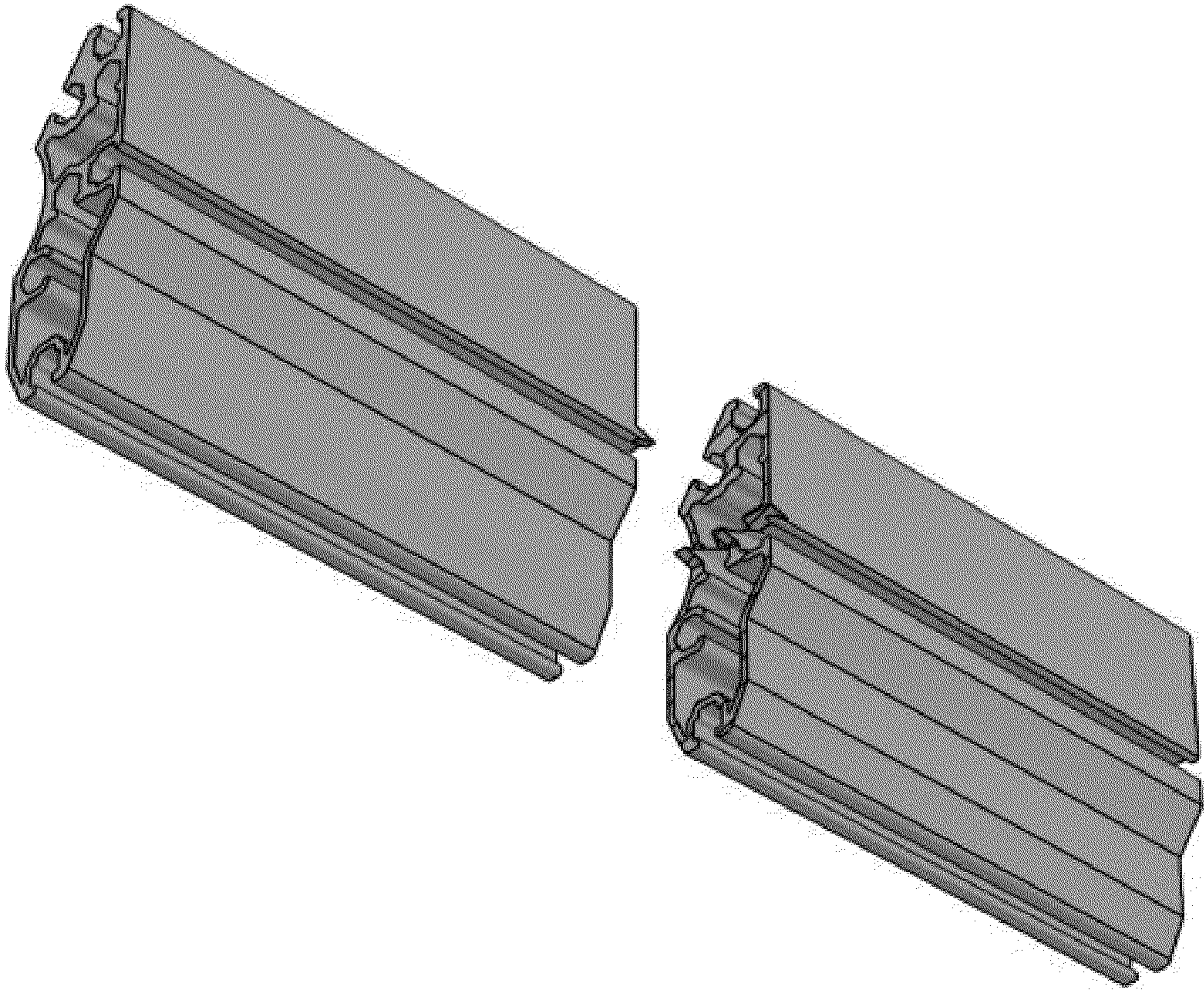


FIGURE 4

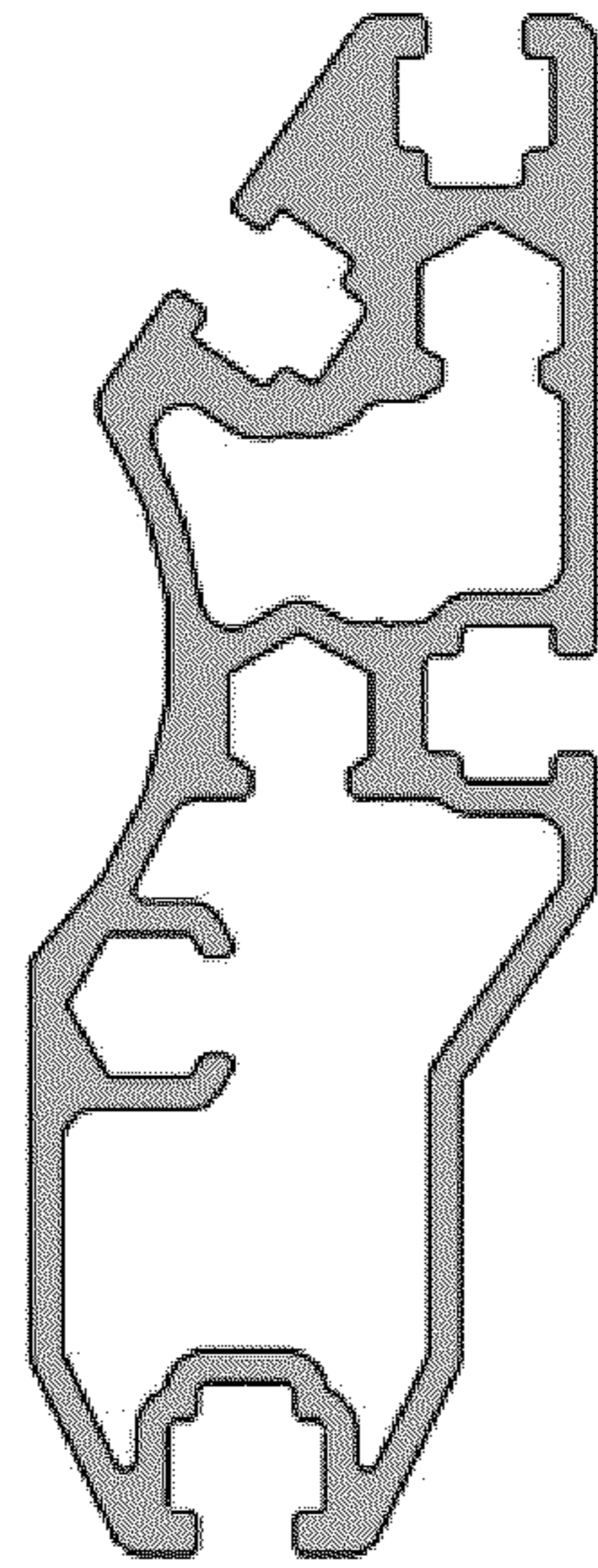


FIGURE 5

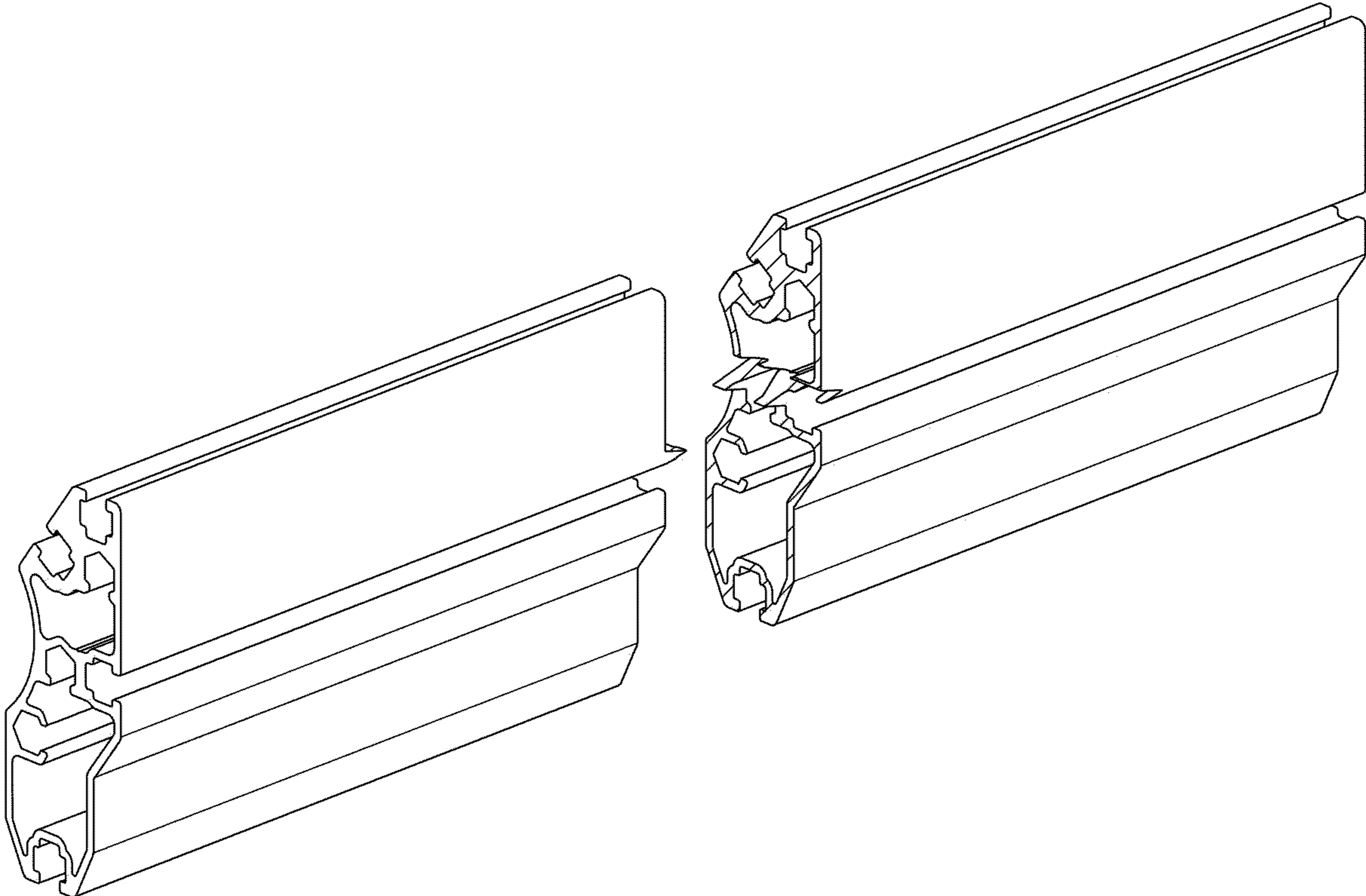


FIGURE 6

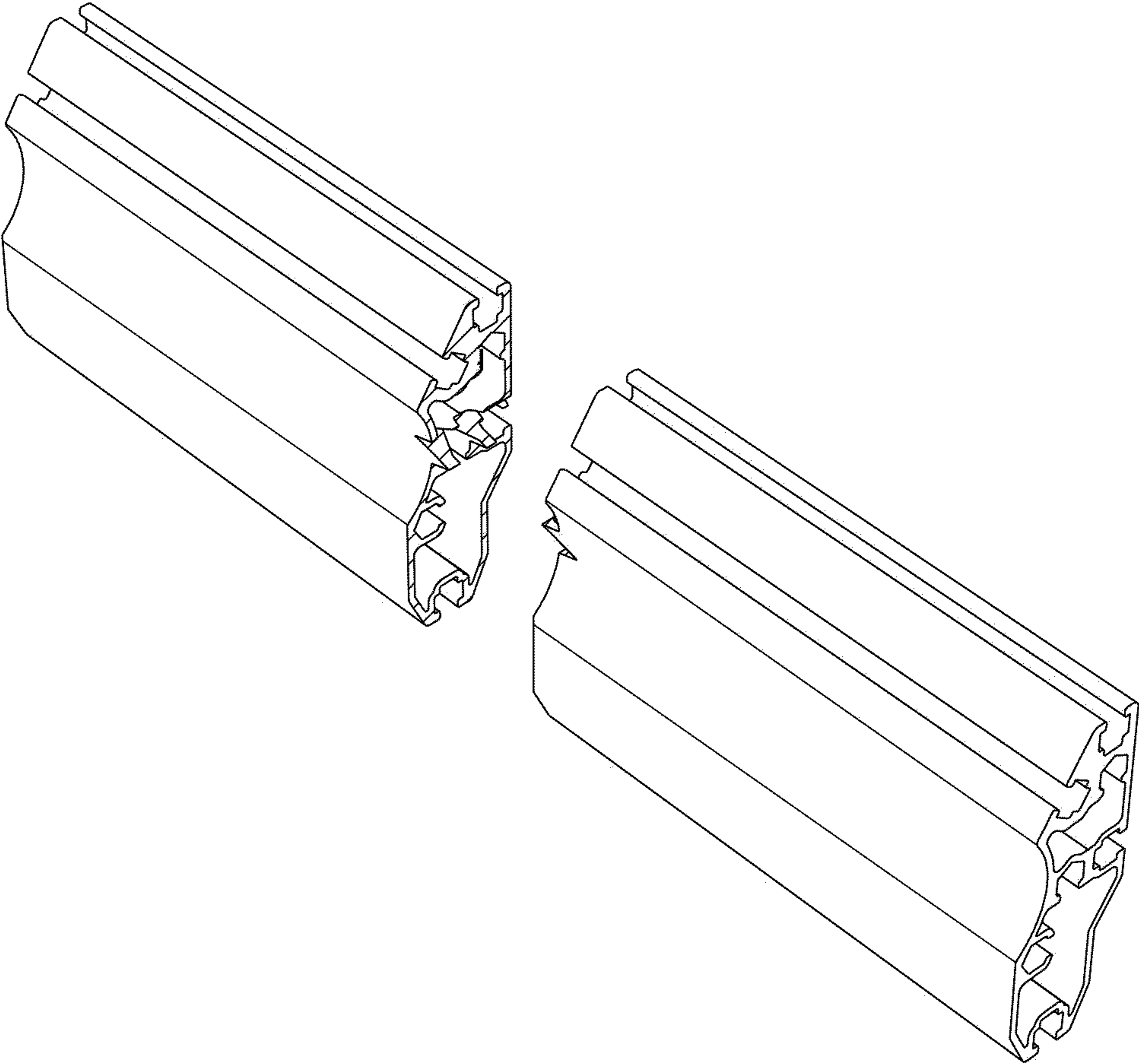


FIGURE 7

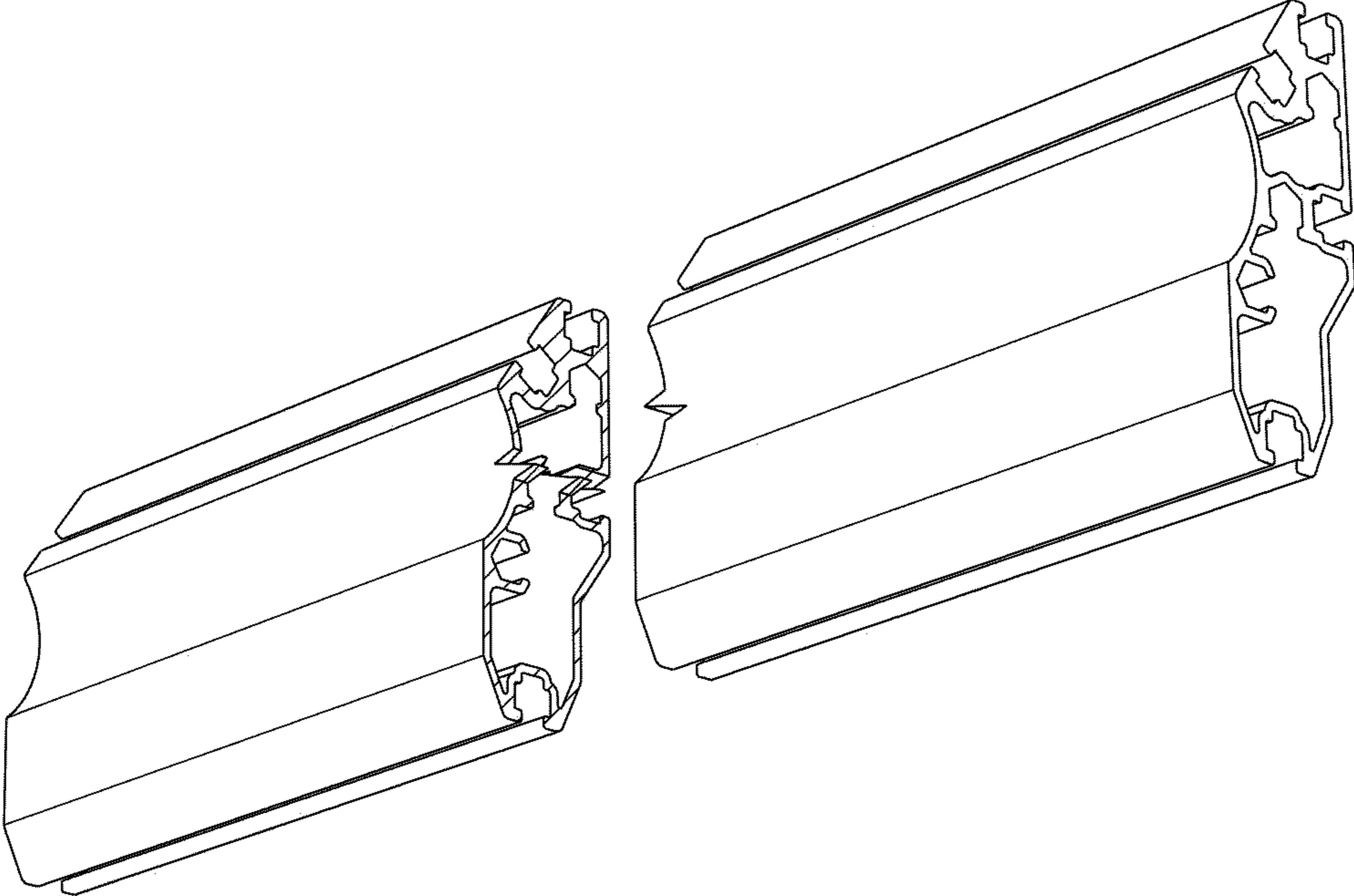


FIGURE 8

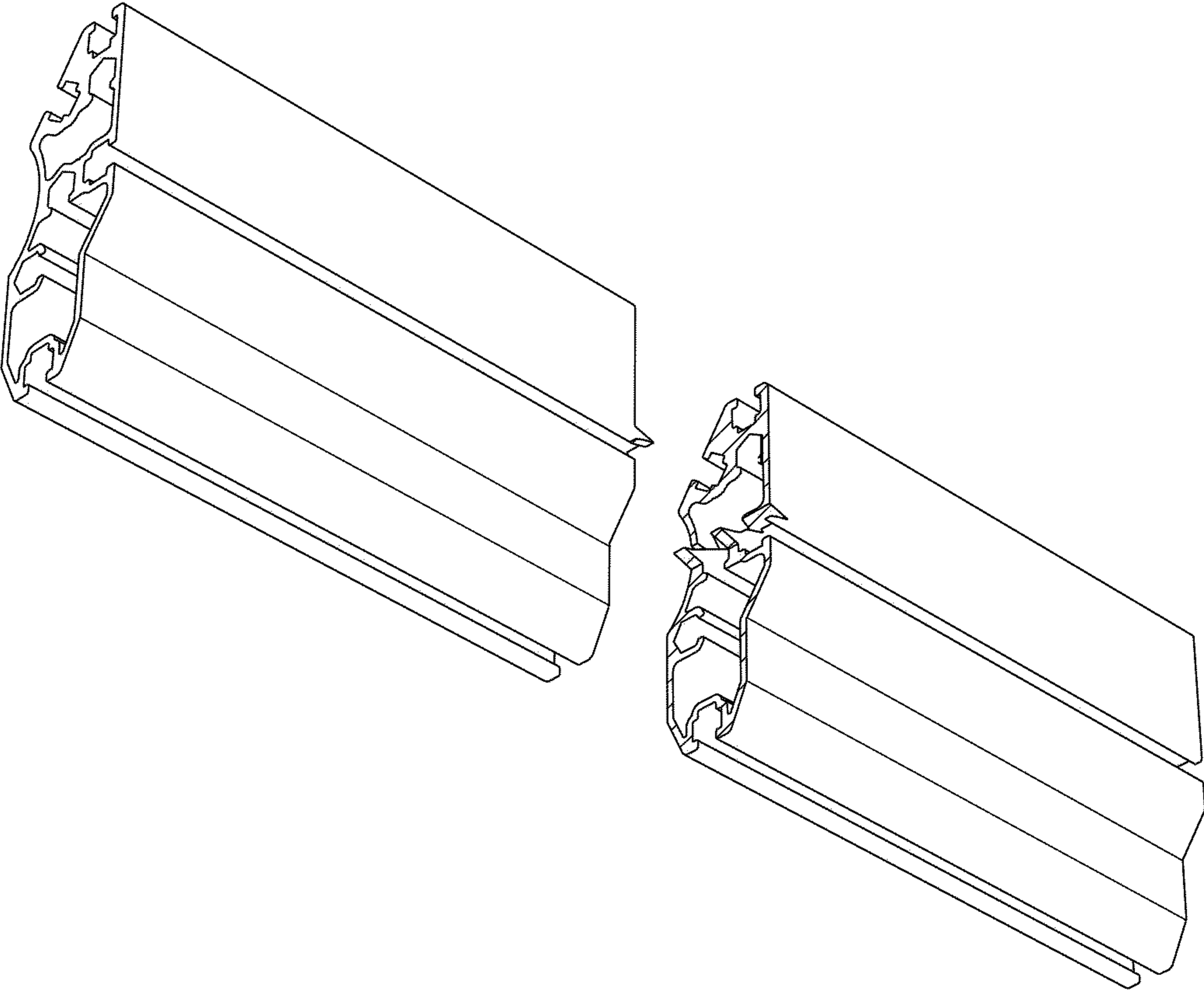


FIGURE 9

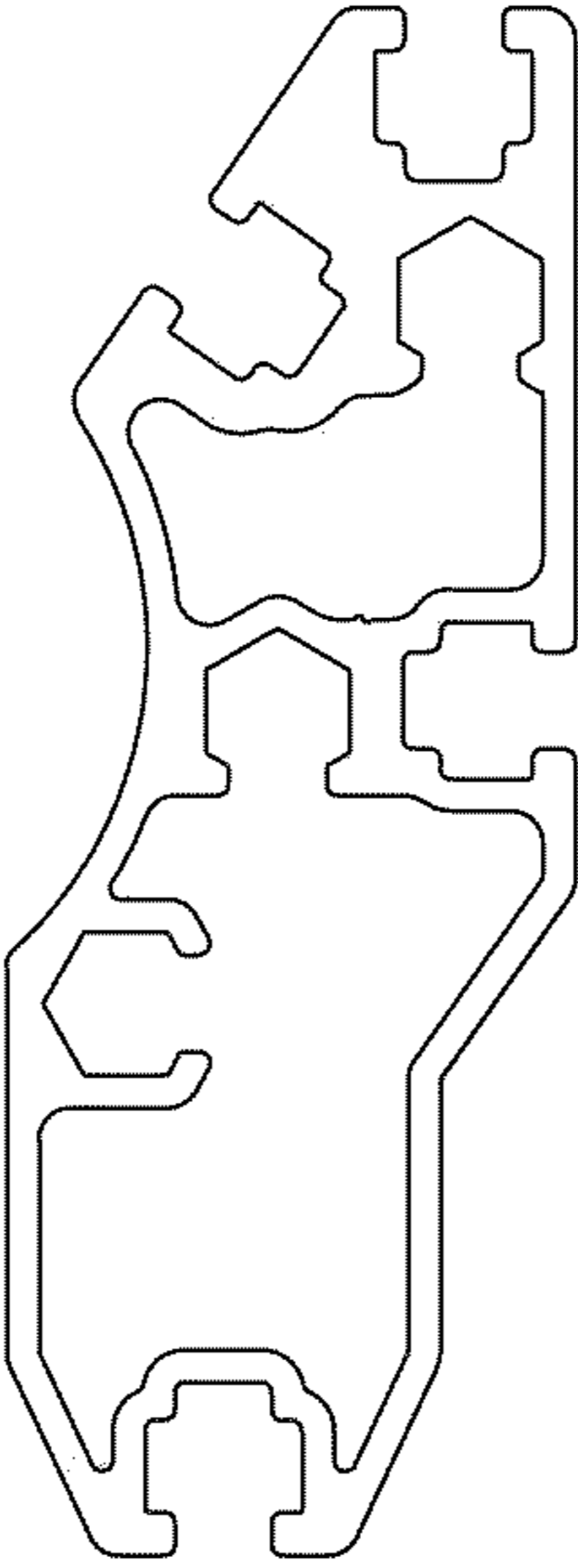


FIGURE 10