



US00D989433S

(12) **United States Design Patent**  
**Haas**

(10) **Patent No.:** **US D989,433 S**  
(45) **Date of Patent:** **\*\* Jun. 13, 2023**

(54) **ENCLOSURE FOR STORAGE AND  
COLLECTION BINS**

(71) Applicant: **Kettle Creek Corporation**, Ottsville,  
PA (US)

(72) Inventor: **Benjamin S. Haas**, Ottsville, PA (US)

(73) Assignee: **Kettle Creek Corporation**, Ottsville,  
PA (US)

(\*\*) Term: **15 Years**

(21) Appl. No.: **29/787,902**

(22) Filed: **Jun. 9, 2021**

(51) **LOC (14) Cl.** ..... **09-09**

(52) **U.S. Cl.**  
USPC ..... **D34/7**

(58) **Field of Classification Search**  
USPC ..... D34/1, 5, 6, 7, 10, 11  
CPC ..... B65F 1/1426; B65F 1/1615; B65F 1/16;  
B65F 1/163; B65F 1/004; B65F 1/0053;  
B65F 1/006; B65F 1/1607; B65F 1/106;  
B62B 2202/12; B62B 2202/20  
See application file for complete search history.

(56) **References Cited**

**U.S. PATENT DOCUMENTS**

D297,378 S \* 8/1988 Briscoe ..... D34/5  
D381,157 S \* 7/1997 Kane ..... D34/1  
D438,356 S \* 2/2001 Ragot ..... D34/1  
D484,662 S \* 12/2003 Fuller ..... D34/6

D612,560 S \* 3/2010 Moore ..... D34/7  
D617,519 S \* 6/2010 Malczewski ..... D34/1  
D797,394 S \* 9/2017 Nichols ..... D34/1  
D835,373 S \* 12/2018 Busch ..... D34/7  
D871,706 S \* 12/2019 Dobson ..... D34/7  
D880,856 S \* 4/2020 Vollmer ..... D3/274

\* cited by examiner

*Primary Examiner* — Cynthia Ramirez

*Assistant Examiner* — Tamara L Hahn

(74) *Attorney, Agent, or Firm* — Wilkinson Law Office;  
Clinton H. Wilkinson

(57) **CLAIM**

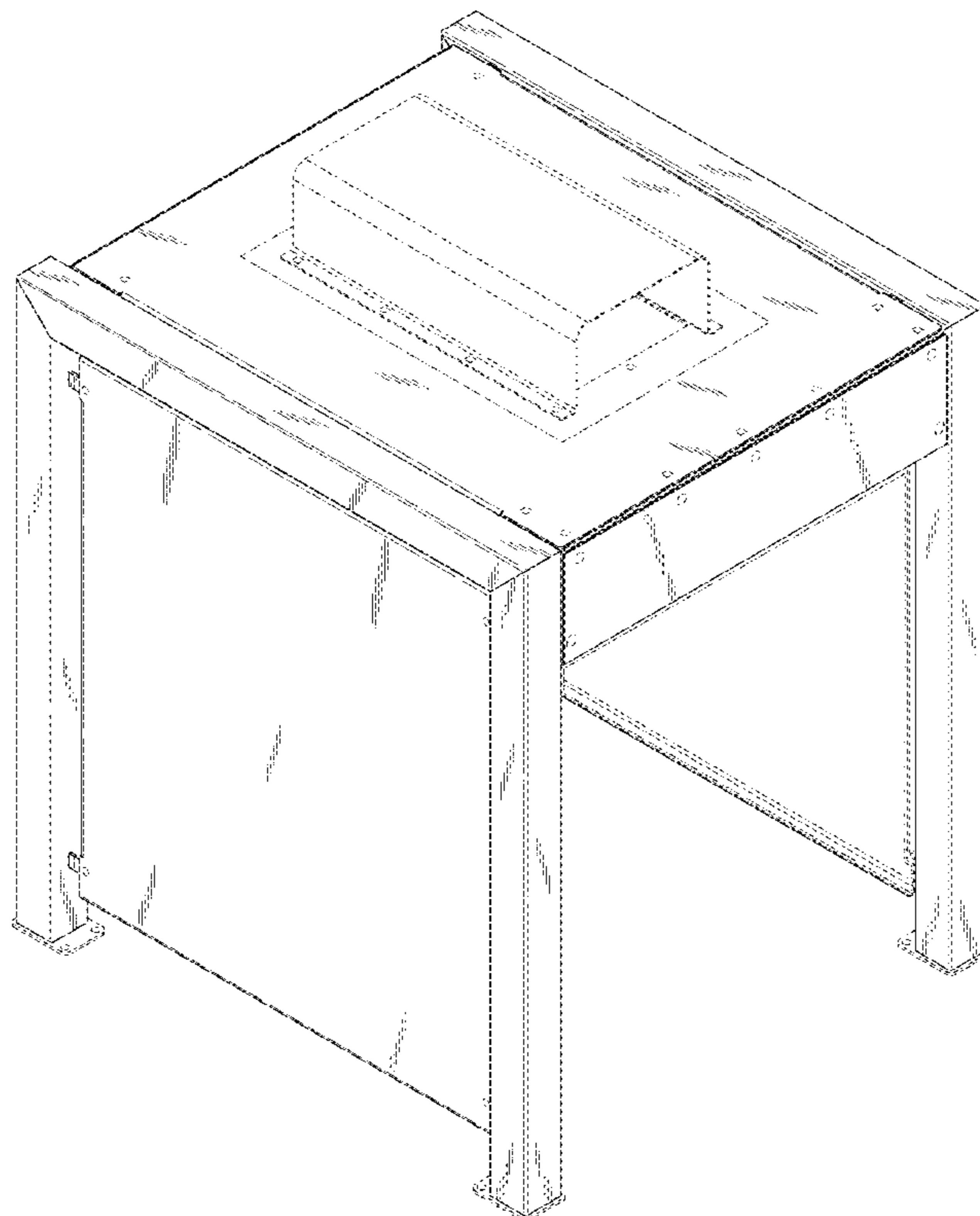
The ornamental design for an enclosure for storage and collection bins, as shown and described.

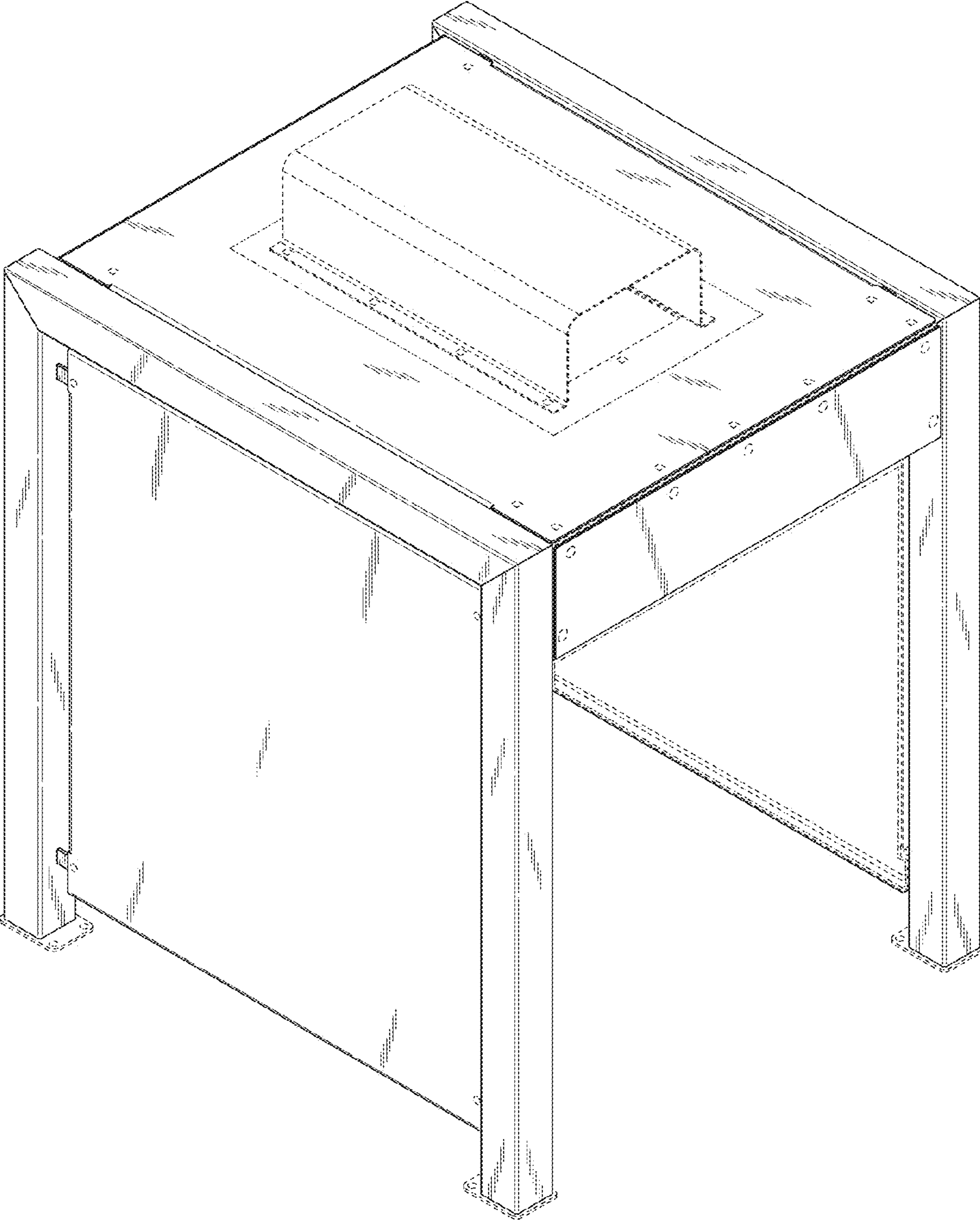
**DESCRIPTION**

FIG. 1 is a top front perspective view of the enclosure for storage and collection bins showing the new design; FIG. 2 is a top rear perspective view thereof; FIG. 3 is a front elevational view thereof; FIG. 4 is a rear elevational view thereof; FIG. 5 is a right-side elevational view thereof, the left-side elevational view being identical; and, FIG. 6 is a top plan view thereof.

Material shown in evenly spaced broken lines in the drawings illustrates environmental matter and forms no part of the claimed design. The dot-dash-dot broken lines in the drawings define the bounds of the claim and form no part thereof.

**1 Claim, 6 Drawing Sheets**





*FIG. 1*

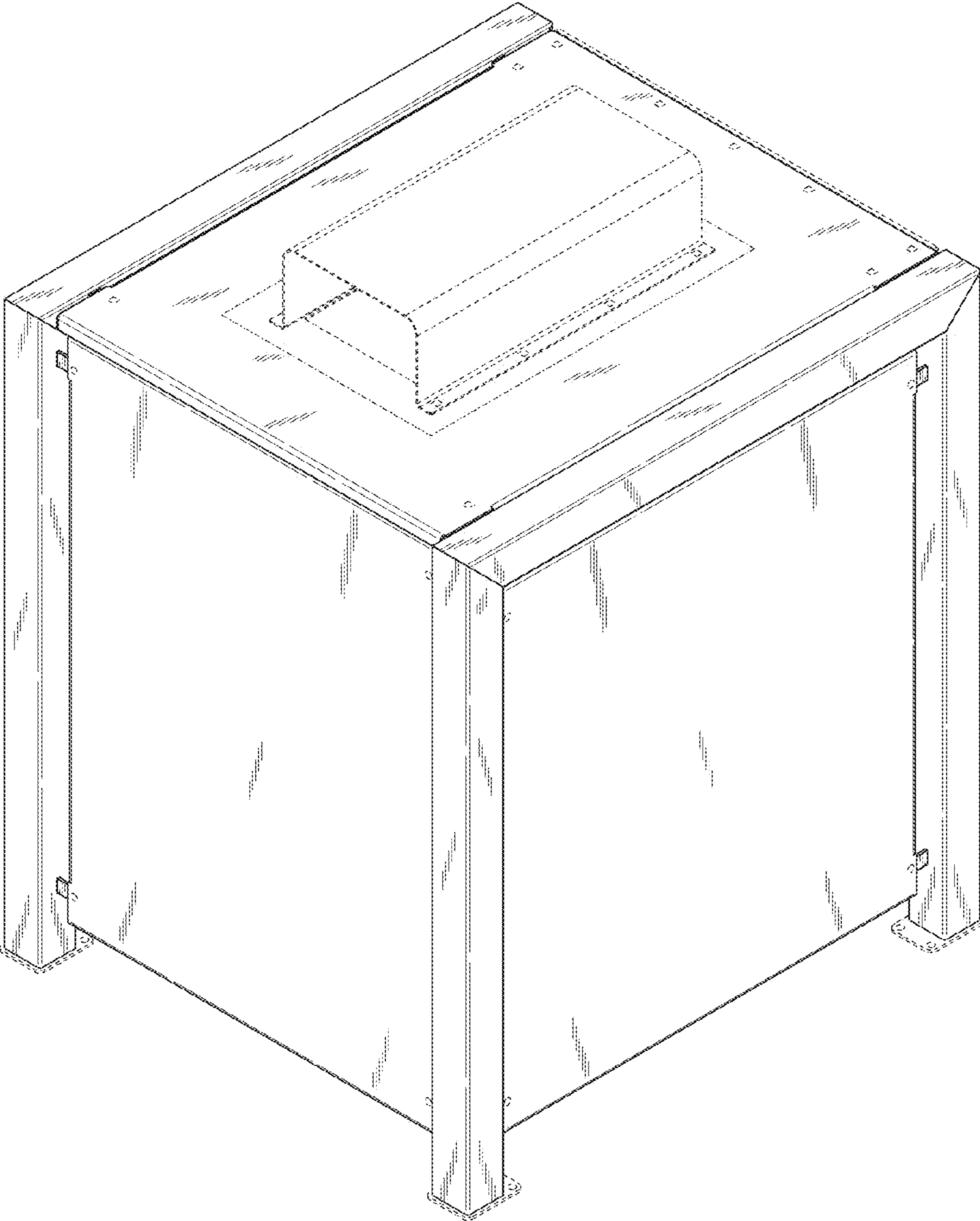
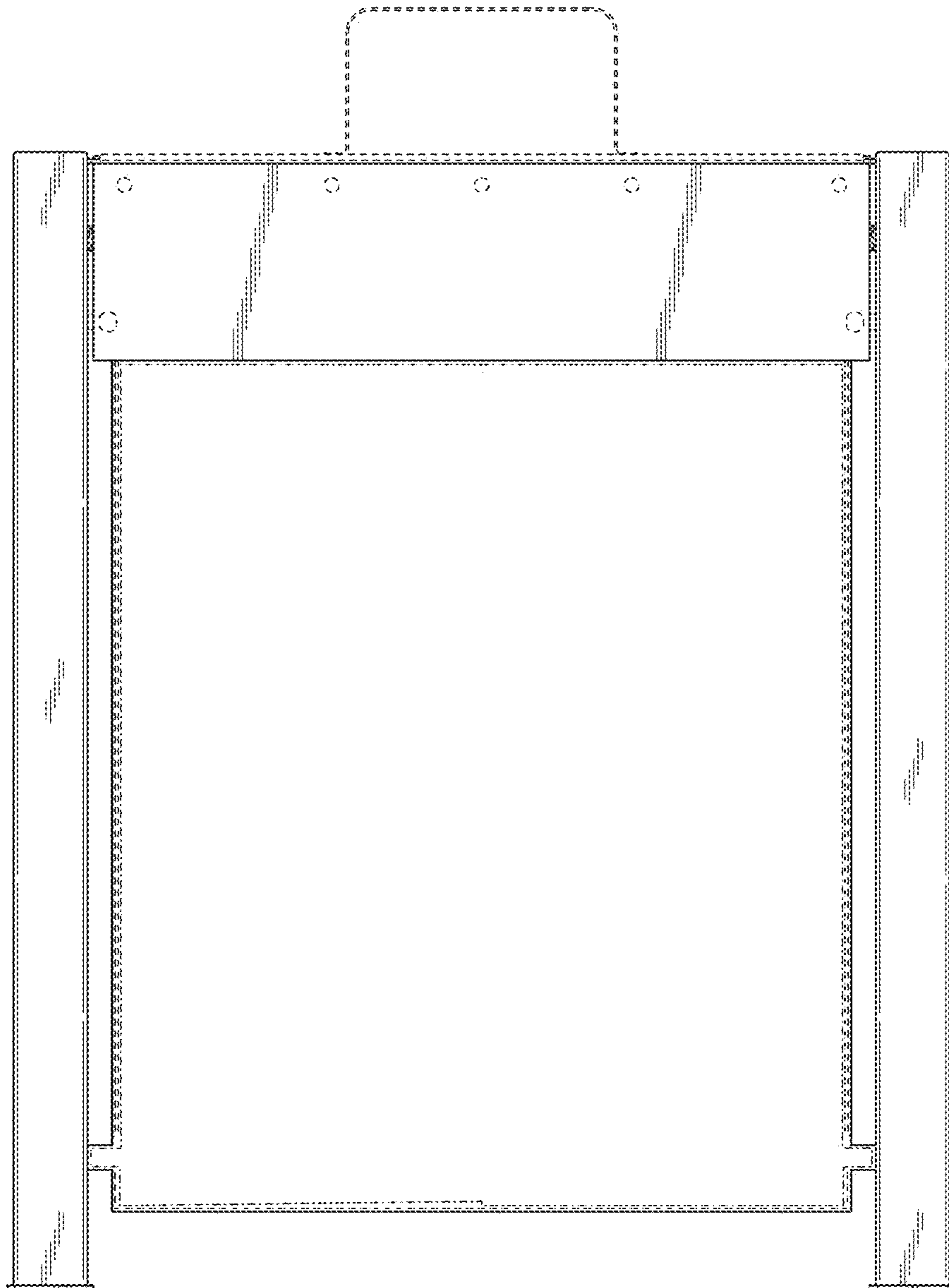
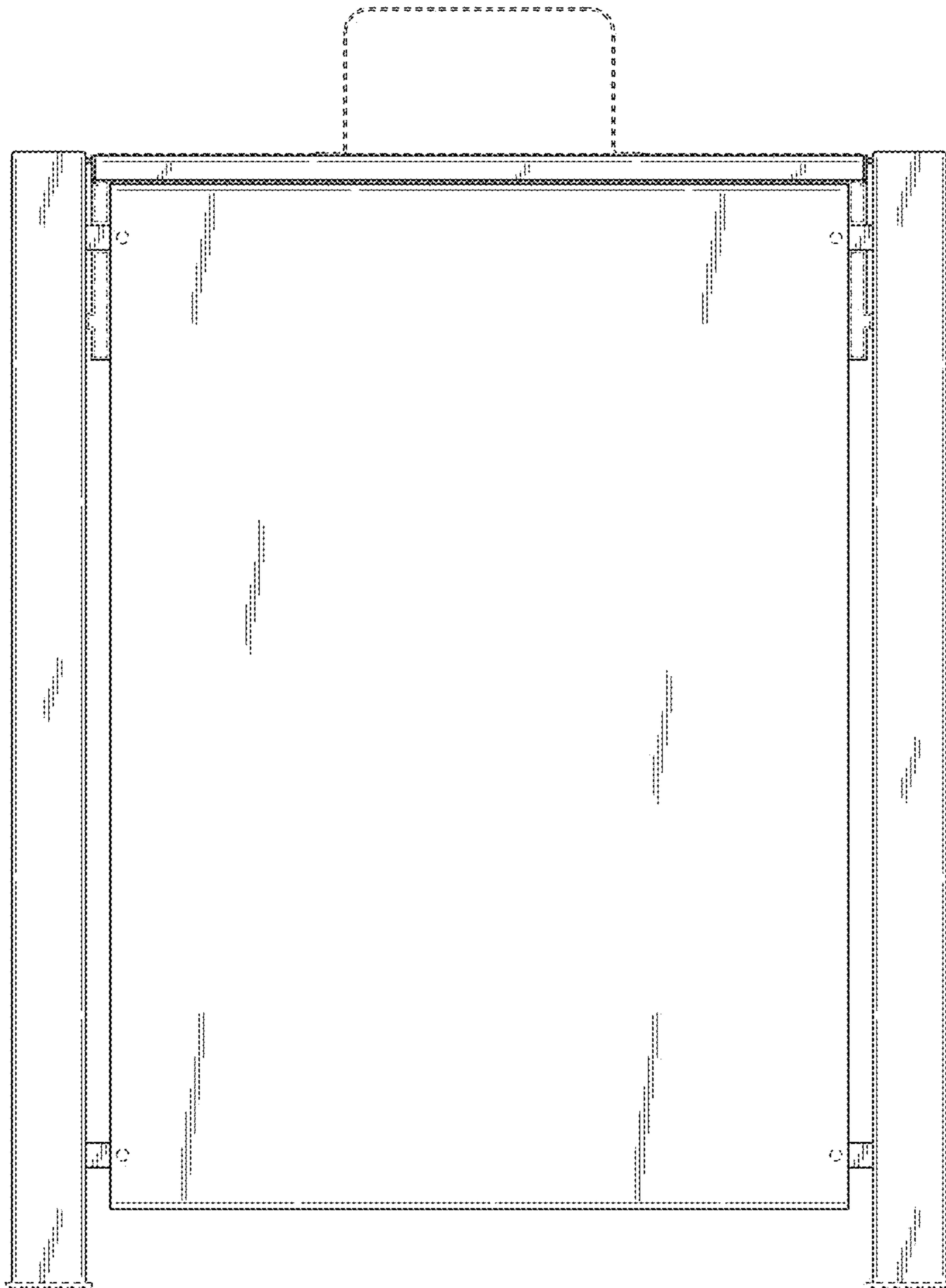


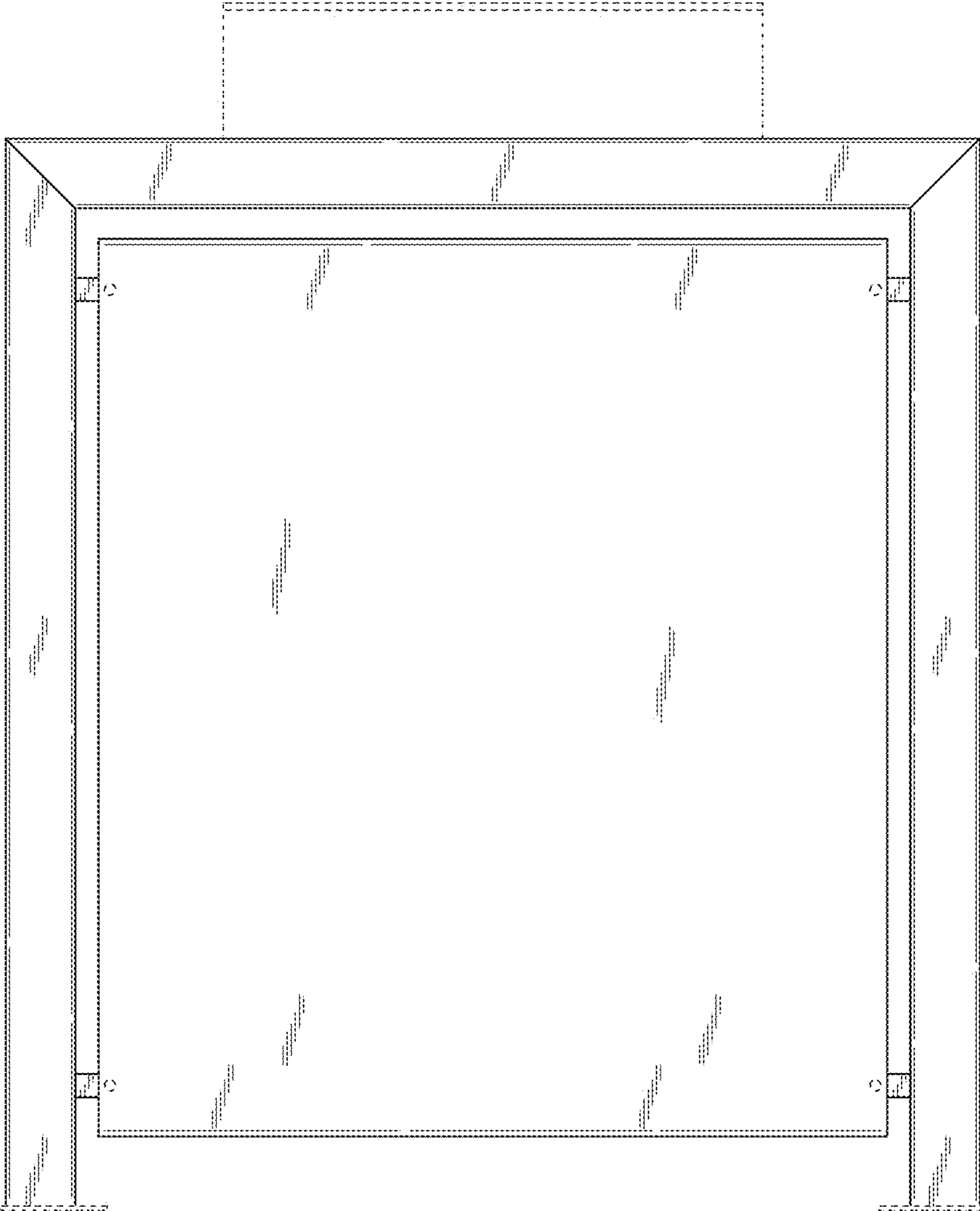
FIG. 2



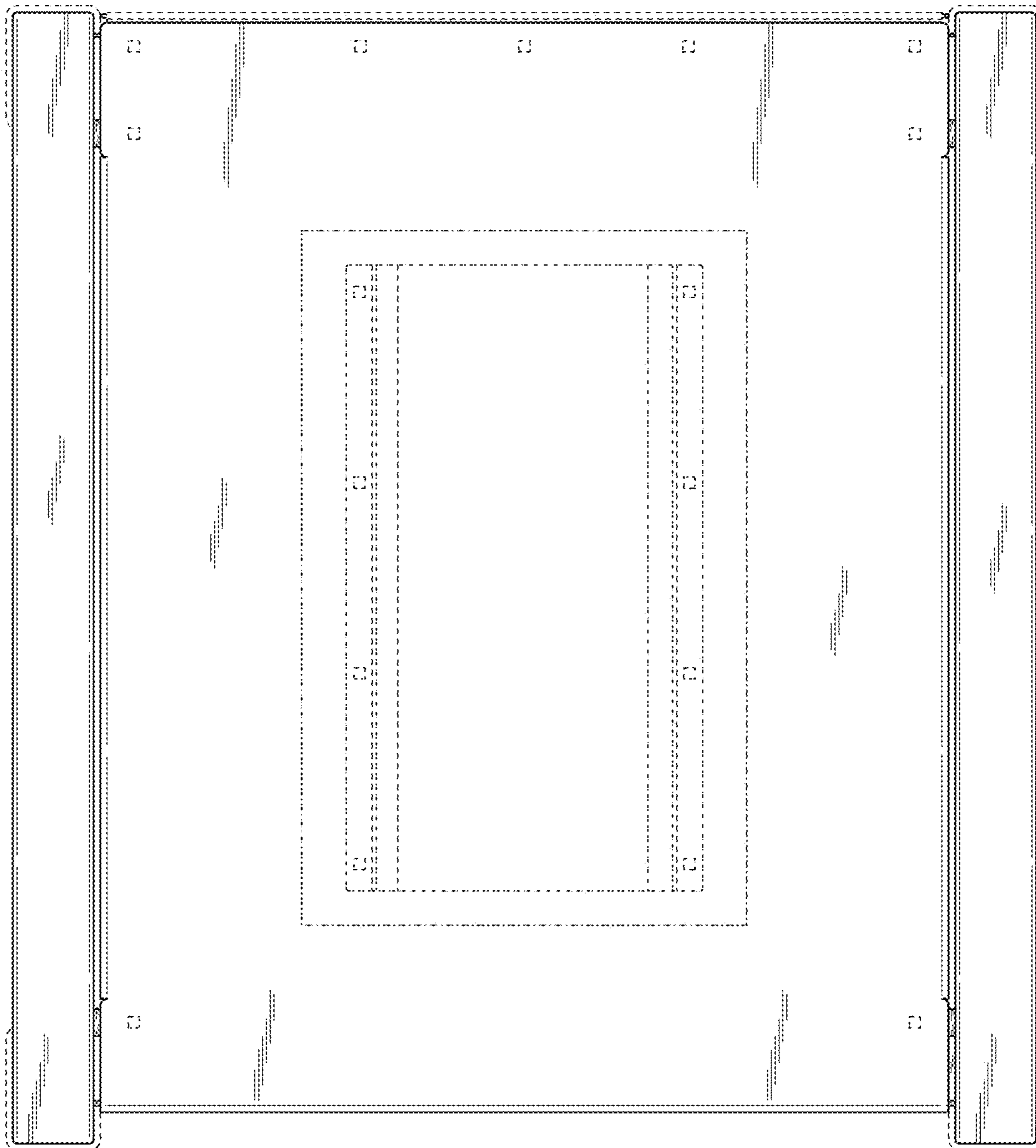
*FIG. 3*



*FIG. 4*



*FIG. 5*



*FIG. 6*