



US00D989431S

(12) **United States Design Patent** (10) **Patent No.:** **US D989,431 S**
Madsen et al. (45) **Date of Patent:** **** Jun. 13, 2023**

(54) **WIPER BUCKET SYSTEM**

(56) **References Cited**

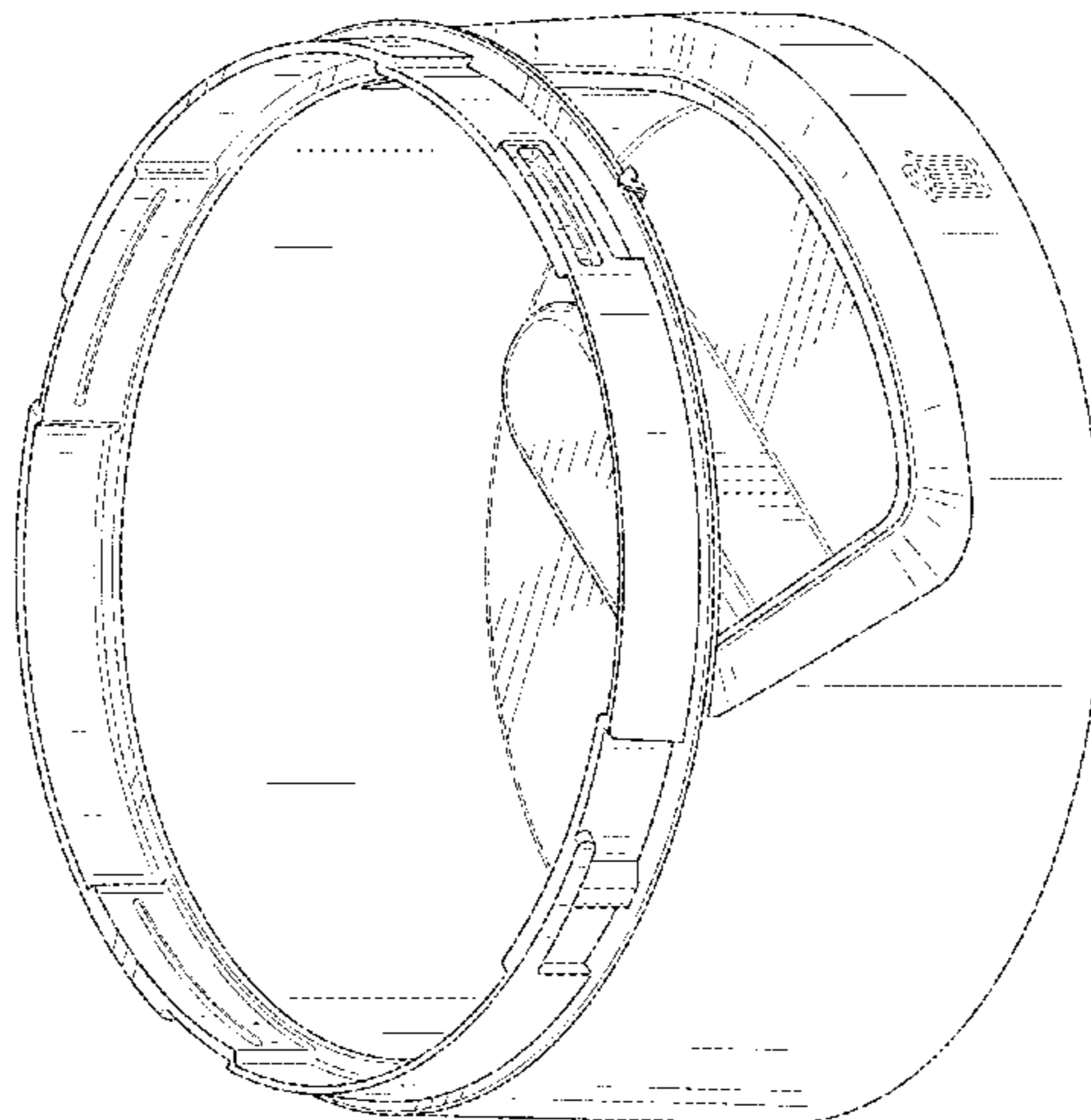
- (71) Applicant: **GPCP IP Holdings LLC**, Atlanta, GA (US)
- (72) Inventors: **Nickolas Everett Madsen**, Atlanta, GA (US); **Jose Olavo Martins F. Salles**, Pulaski, WI (US); **Kip Kevin Decker**, Neenah, WI (US); **Matthew Keith Florian Williquette**, Appleton, WI (US)
- (73) Assignee: **GPCP IP Holdings LLC**, Atlanta, GA (US)
- (**) Term: **15 Years**
- (21) Appl. No.: **29/810,986**
- (22) Filed: **Oct. 11, 2021**

U.S. PATENT DOCUMENTS

820,081	A *	5/1906	Alley et al.	B65D 25/20 220/700
3,606,074	A *	9/1971	Hayes	B65D 43/0222 215/393
3,771,772	A	11/1973	Honda	
3,915,330	A *	10/1975	Hammes	B65D 45/32 220/675
3,999,677	A	12/1976	Oberkircher	
4,210,258	A	7/1980	Von	
4,524,882	A	6/1985	Buc	
4,530,442	A	7/1985	Vogel, Jr. et al.	
4,574,974	A	3/1986	Von Holdt	
D283,432	S *	4/1986	Rosenow	D21/721
4,580,607	A *	4/1986	Cantele	A47J 47/18 220/DIG. 6
5,096,083	A	3/1992	Shaw et al.	
D326,203	S	5/1992	Butler	
5,125,184	A *	6/1992	Anderson	A01G 27/06 47/73
D327,798	S	7/1992	Addison et al.	
D329,312	S	9/1992	Ross	
D329,597	S	9/1992	Gallagher et al.	
5,143,247	A *	9/1992	Gavle	A47G 23/0216 D7/619.1
D338,367	S	8/1993	Fonville	
D348,129	S	6/1994	Wolff	
D350,688	S	9/1994	Wardell	
D369,522	S *	5/1996	Casey	D7/590
D373,865	S	9/1996	Wells	
D377,902	S	2/1997	Marucci	
5,730,309	A	3/1998	Jiradejnunt et al.	
D398,664	S	9/1998	Freeland	
5,839,598	A *	11/1998	Mitchell	B65D 1/16 220/729
D402,986	S	12/1998	Doak	
D411,745	S *	6/1999	Mohary	D9/449
D425,600	S	5/2000	Pas et al.	
6,296,158	B1 *	10/2001	Zhou	B65D 25/48 222/570
6,607,514	B2	8/2003	Reese	
D480,916	S	10/2003	Norris et al.	
D489,611	S	5/2004	Monsanty	
D503,534	S	4/2005	Dong	
6,880,716	B2	4/2005	Gottainer et al.	
D504,794	S	5/2005	Sellars	
D506,608	S	6/2005	Dong	
D511,101	S	11/2005	Nottingham et al.	
D522,780	S	6/2006	Sellars	

Related U.S. Application Data

- (62) Division of application No. 29/701,243, filed on Aug. 9, 2019, now Pat. No. Des. 935,327.
- (51) **LOC (14) Cl.** **07-05**
- (52) **U.S. Cl.**
USPC **D32/54**
- (58) **Field of Classification Search**
USPC D3/308; D9/454, 449, 549, 564, 770, D9/772, 767, 780; D21/721; D22/136; D30/130, 131; D32/1, 53, 53.1, 54; D34/7, 8
CPC B65D 43/161; B65D 25/32; B65D 21/022; B65D 43/021; B65D 25/2888; B65D 43/0212; B65D 43/169; B65D 45/345; B65D 1/16; B65D 43/0256; B65D 1/46; B65D 21/0222; B65D 7/06; B65D 85/00; A47G 23/04; A47J 36/08; A47J 47/18; B65F 1/1646; B65F 1/0006; A01K 97/05; A01K 97/06; F16K 15/185; B44D 3/128
See application file for complete search history.



D522,796 S 6/2006 Teh-hsiung
D526,481 S 8/2006 Dong
D529,400 S 10/2006 Sellars
D530,224 S 10/2006 Mattesky
D558,419 S 12/2007 Zychlinski
D565,412 S * 4/2008 Fuller D9/503
D576,036 S 9/2008 Dell
7,475,788 B2 1/2009 Schwarz
D589,820 S 4/2009 Paal et al.
D590,561 S 4/2009 Baltz
7,556,230 B2 * 7/2009 Sarullo A47G 23/0216
248/314
D608,066 S 1/2010 Pearl et al.
D620,604 S 7/2010 Alford
D636,944 S * 4/2011 Anderson D30/129
D643,750 S 8/2011 Dietvorst
D649,726 S 11/2011 Manuel
D651,923 S * 1/2012 Cronin D9/772
D659,333 S 5/2012 Morris, Jr.
D660,060 S 5/2012 Slosman
8,181,819 B2 5/2012 Burney et al.
D665,272 S 8/2012 Dietvorst
8,596,492 B2 12/2013 Lown et al.
D697,173 S 1/2014 Bradford et al.
8,678,229 B1 3/2014 Alford et al.
D701,700 S 4/2014 Abdi et al.
D709,263 S 7/2014 Carnesecca
D710,485 S * 8/2014 Nudo D9/437
D716,011 S 10/2014 Jackson et al.
D716,012 S 10/2014 Jackson et al.
8,863,983 B2 10/2014 Meers et al.
D729,480 S 5/2015 Silkaitis et al.
D729,481 S 5/2015 Silkaitis et al.
D738,122 S * 9/2015 Lu D6/347
D739,627 S 9/2015 Condiff
D743,136 S 11/2015 Condiff
D765,934 S 9/2016 Bajuyo
D767,227 S 9/2016 Del Rosario Roy et al.
D778,083 S 2/2017 Abbott
D778,519 S 2/2017 Luburic
D784,809 S 4/2017 Liming et al.
D784,811 S 4/2017 Scevola
D788,395 S 5/2017 Bajuyo
D792,755 S * 7/2017 Adams D8/354
D793,518 S 8/2017 Ramczyk
D810,567 S 2/2018 Brovar
D814,317 S 4/2018 Ehrlich et al.
D814,920 S 4/2018 Georgiadis et al.
10,011,475 B1 * 7/2018 Brekke B67D 3/0083
D834,883 S * 12/2018 Lane D7/396.2
D845,694 S 4/2019 Liu
D849,266 S 5/2019 Higgins
10,278,527 B2 * 5/2019 Hayward A47G 23/0216
D853,179 S 7/2019 Duvigneau
D854,878 S 7/2019 Duvigneau
D860,715 S 9/2019 Bohman et al.
D876,869 S 3/2020 Ha et al.
D885,185 S 5/2020 Hudson et al.
D887,266 S 6/2020 Hudson et al.
D887,268 S 6/2020 Rhea
D890,459 S 7/2020 Fischer
D894,419 S 8/2020 Nemeth
D897,849 S * 10/2020 Hawry D9/503
D901,297 S 11/2020 Hudson et al.
D903,482 S 12/2020 Drolet
D905,432 S 12/2020 Liu
10,858,139 B2 12/2020 Eason
D910,259 S * 2/2021 Stack D32/54

D915,211 S 4/2021 Green et al.
D920,115 S * 5/2021 Lee D9/454
D928,284 S * 8/2021 Chin D23/200
D928,285 S * 8/2021 Chin D23/200
D935,327 S * 11/2021 Madsen D9/734
D937,674 S * 12/2021 Griffin D9/434
D953,152 S * 5/2022 Mann D8/373
D955,174 S 6/2022 Smith et al.
D967,717 S * 10/2022 Timmers D27/172
2006/0163252 A1 7/2006 Zalewski
2007/0187413 A1 8/2007 Gruskin et al.
2007/0205196 A1 9/2007 Burney et al.
2014/0217096 A1 8/2014 Simpson
2016/0280423 A1 9/2016 Luburic
2016/0311584 A1 10/2016 Van Oosten

FOREIGN PATENT DOCUMENTS

CN 113772294 A * 12/2021
DE 202020000857 U1 * 4/2020 A47J 47/08
GB 2560050 A * 8/2018 B65D 1/12

OTHER PUBLICATIONS

Amazon.com_ Dixie Ultra Surface System Wiper Bucket (Nov. 11, 2019) <https://www.amazon.com/Surface-System-Bucket-Service-Buckets/dp/B081BMPTPK> (Year: 2019).
Load buckets, https://www.yeti.com/en_US/buckets (Year: 2021), 7 pages.
Non-Final office action received for U.S. Appl. No. 29/761,394, dated May 19, 2021, 7 pages.
Screw top pail, <https://www.uline.com/Product/Detail/S-20029W/Pails/Screw-Top-Pail-0-6-Gallon-White-Lid> (Year: 2021), 1 page.
Notice of allowance received for U.S. Appl. No. 29/810,985, dated Mar. 9, 2023, 9 pages.

* cited by examiner

Primary Examiner — Kevin K Rudzinski
Assistant Examiner — Richard E Yenchesky

(57) CLAIM

The ornamental design for a wiper bucket system, as shown and described.

DESCRIPTION

FIG. 1 is a perspective view of a wiper bucket system, showing our new design;
FIG. 2 is a back view thereof;
FIG. 3 is a front view thereof;
FIG. 4 is a right side view thereof;
FIG. 5 is a left side view thereof;
FIG. 6 is a top plan view thereof; and,
FIG. 7 is a bottom plan view thereof.
The broken lines shown in the figures are included for the purpose of illustration and form no part of the claimed design.

1 Claim, 4 Drawing Sheets

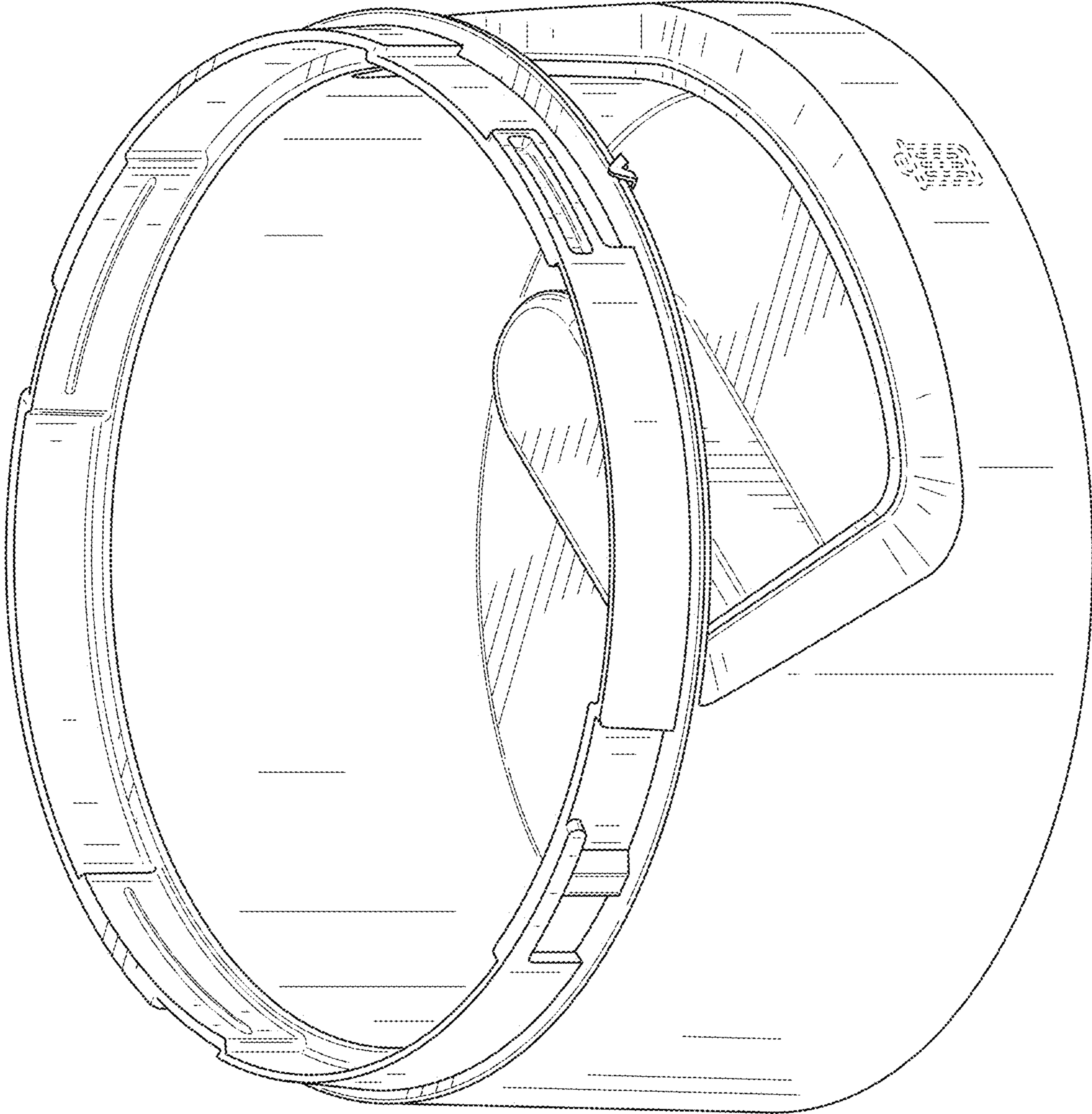


Figure 1

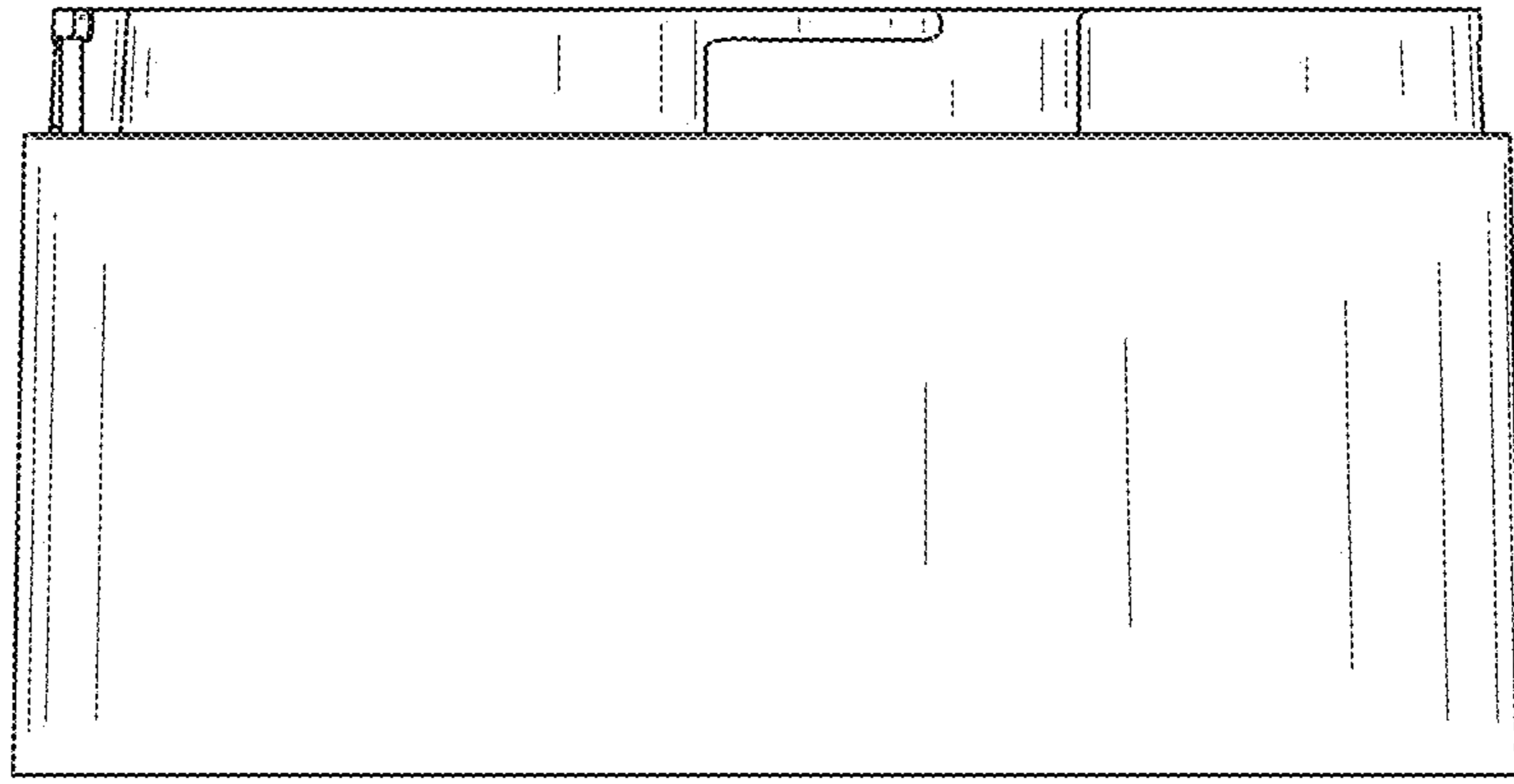


Figure 2

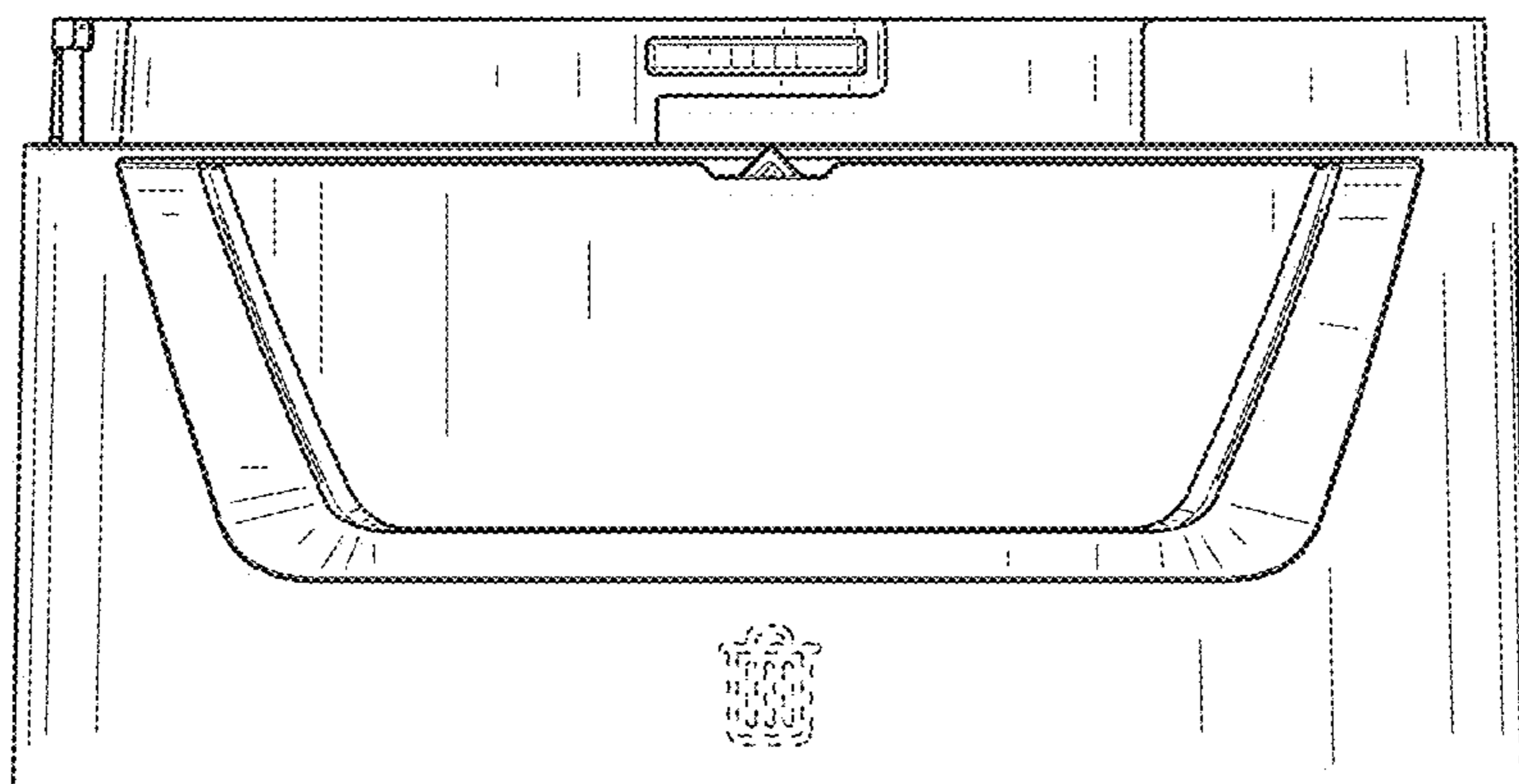


Figure 3

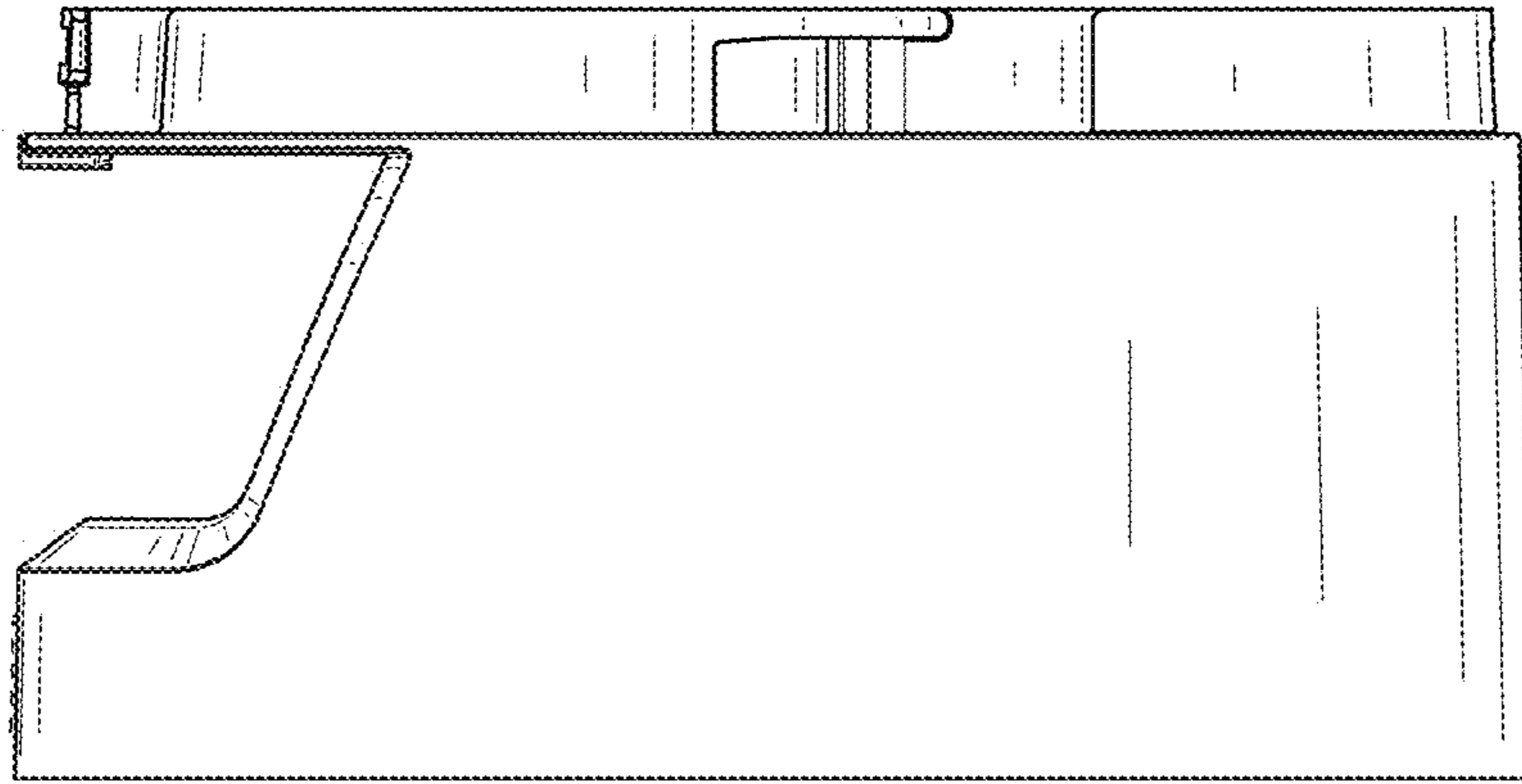


Figure 4

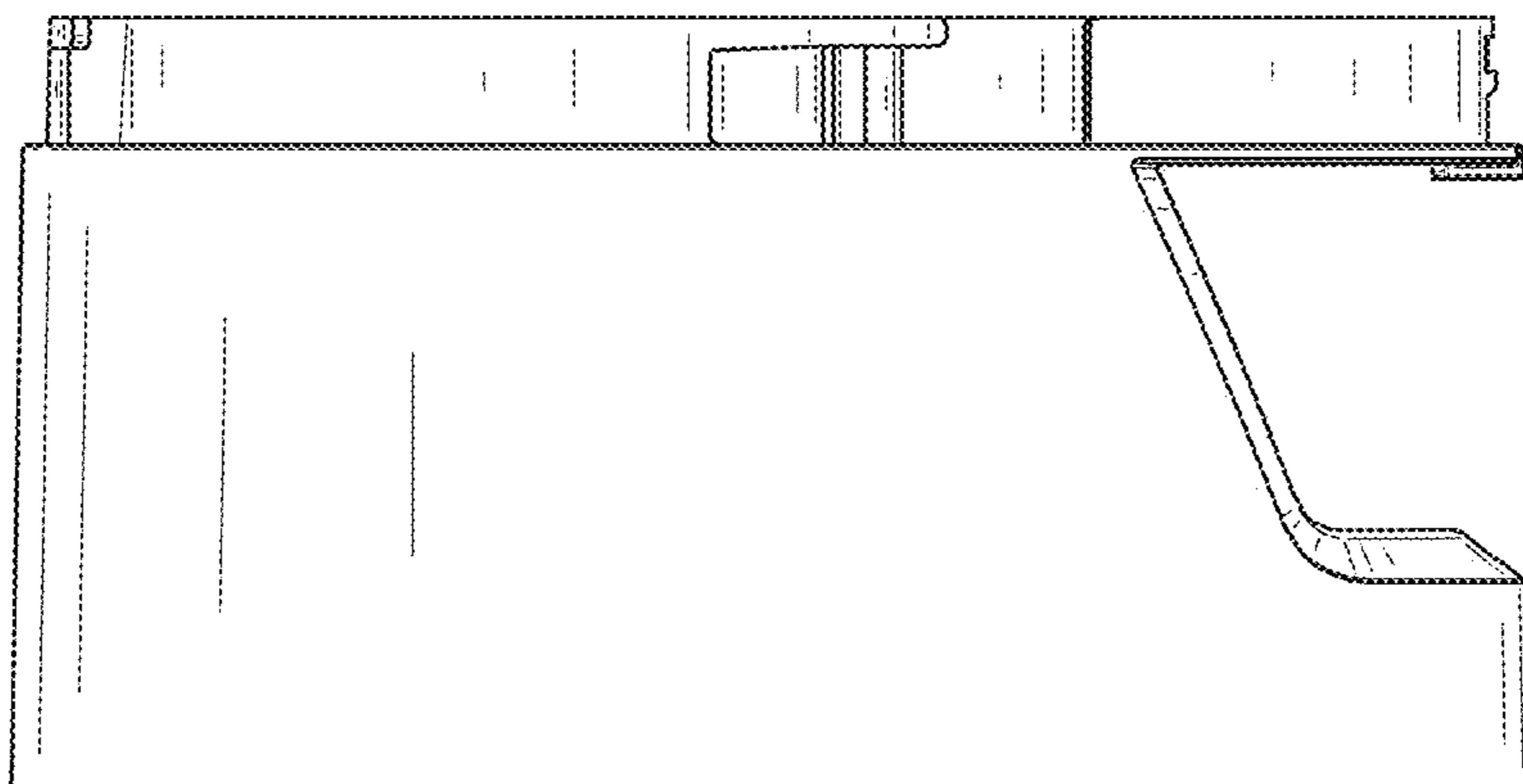


Figure 5

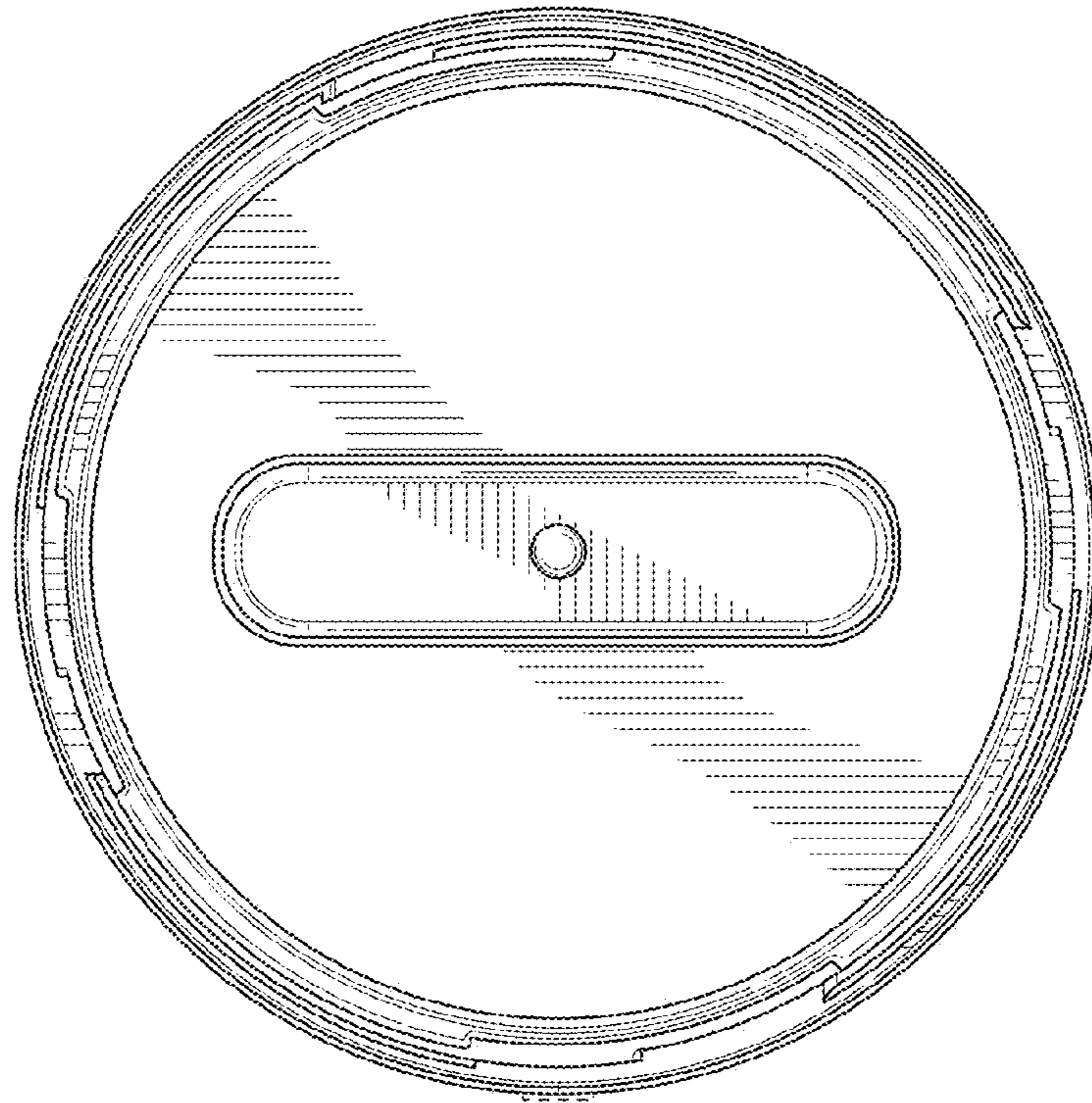


Figure 6

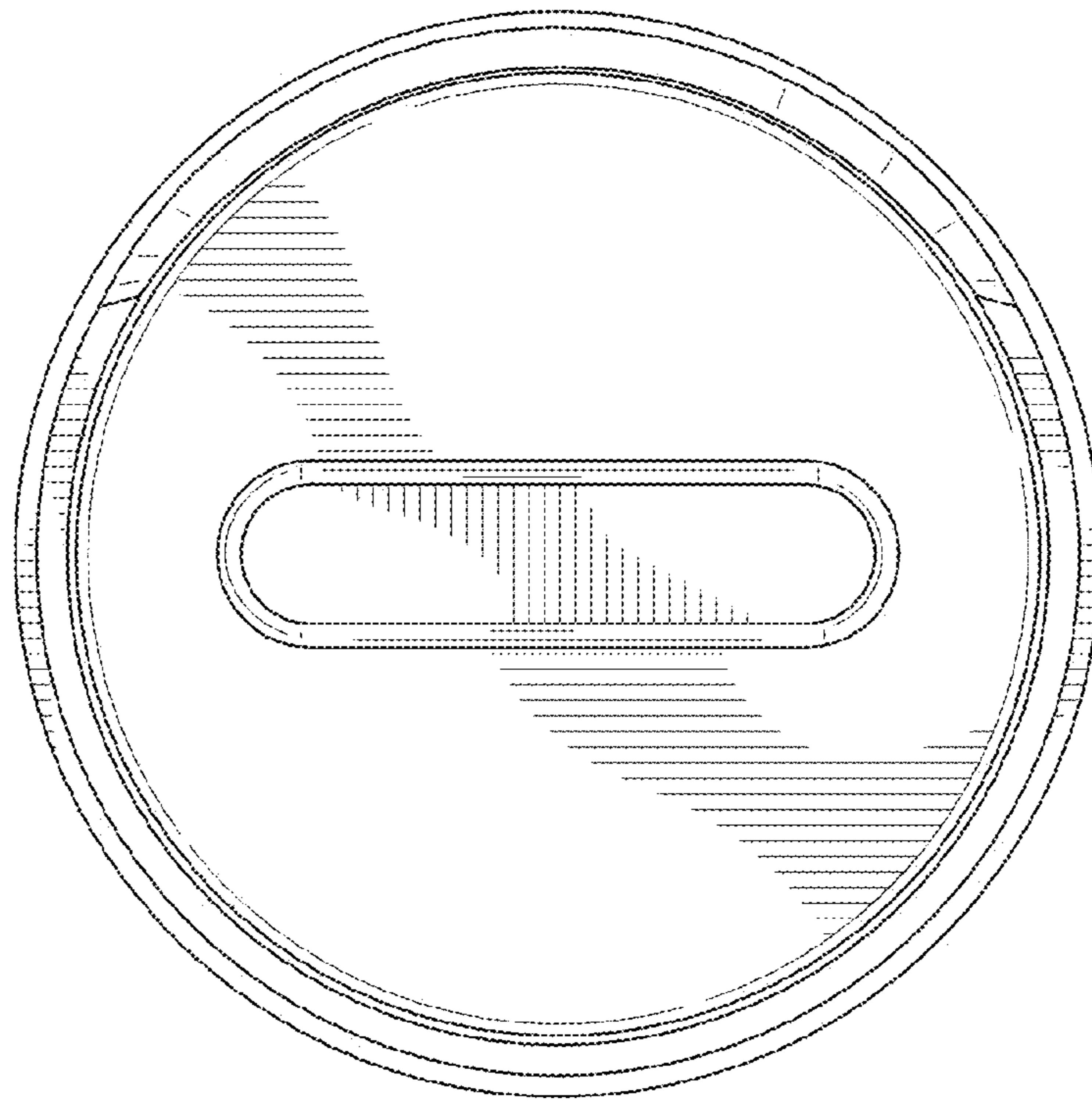


Figure 7