



US00D989430S

(12) **United States Design Patent** (10) **Patent No.:** **US D989,430 S**  
**Matilsky** (45) **Date of Patent:** **\*\* Jun. 13, 2023**

- (54) **CLEANING IMPLEMENT**
- (71) Applicant: **Good Soul Brands LLC**, Bernardsville, NJ (US)
- (72) Inventor: **Drew Matilsky**, Bernardsville, NJ (US)
- (73) Assignee: **Good Soul Brands LLC**, Bernardsville, NJ (US)
- (\*\*) Term: **15 Years**
- (21) Appl. No.: **29/836,601**
- (22) Filed: **Apr. 28, 2022**

- D343,484 S 1/1994 Moran
- 5,351,356 A 10/1994 Townsend, Jr.
- D379,698 S \* 6/1997 Freudenberg ..... D32/40
- 5,640,737 A 6/1997 Boggs
- D406,681 S 3/1999 Kelly et al.
- D420,183 S 2/2000 Tintelnot
- D429,545 S 8/2000 Denney

(Continued)

**FOREIGN PATENT DOCUMENTS**

- CN 303475503 12/2015
- CN 304855972 10/2018

(Continued)

**OTHER PUBLICATIONS**

[https://www.testequity.com/product/181-908-CS-14?gclid=Cj0KCQjw17qSBhD-ARIsACvV1X2EnMR\\_jOcSq0jNcTf6FJWXZbaMcHXem7dEekPnN87Ss1xn7P-A9R0aAtx0EALw\\_weB](https://www.testequity.com/product/181-908-CS-14?gclid=Cj0KCQjw17qSBhD-ARIsACvV1X2EnMR_jOcSq0jNcTf6FJWXZbaMcHXem7dEekPnN87Ss1xn7P-A9R0aAtx0EALw_weB).

(Continued)

*Primary Examiner* — John R Yeh

(74) *Attorney, Agent, or Firm* — Warren D. Schickli; Stites & Harbison PLLC

**Related U.S. Application Data**

- (63) Continuation-in-part of application No. 29/822,662, filed on Jan. 11, 2022, now Pat. No. Des. 956,378, which is a continuation-in-part of application No. 29/679,391, filed on Feb. 5, 2019, now Pat. No. Des. 945,099.
- (51) **LOC (14) Cl.** ..... **07-05**
- (52) **U.S. Cl.**  
USPC ..... **D32/40**
- (58) **Field of Classification Search**  
USPC ..... D32/40-43, 50-52  
CPC . A46B 15/0081; A46B 15/0055; A47L 13/12;  
A47L 13/255  
See application file for complete search history.

(57) **CLAIM**

The ornamental design for a cleaning implement, as shown and described.

**DESCRIPTION**

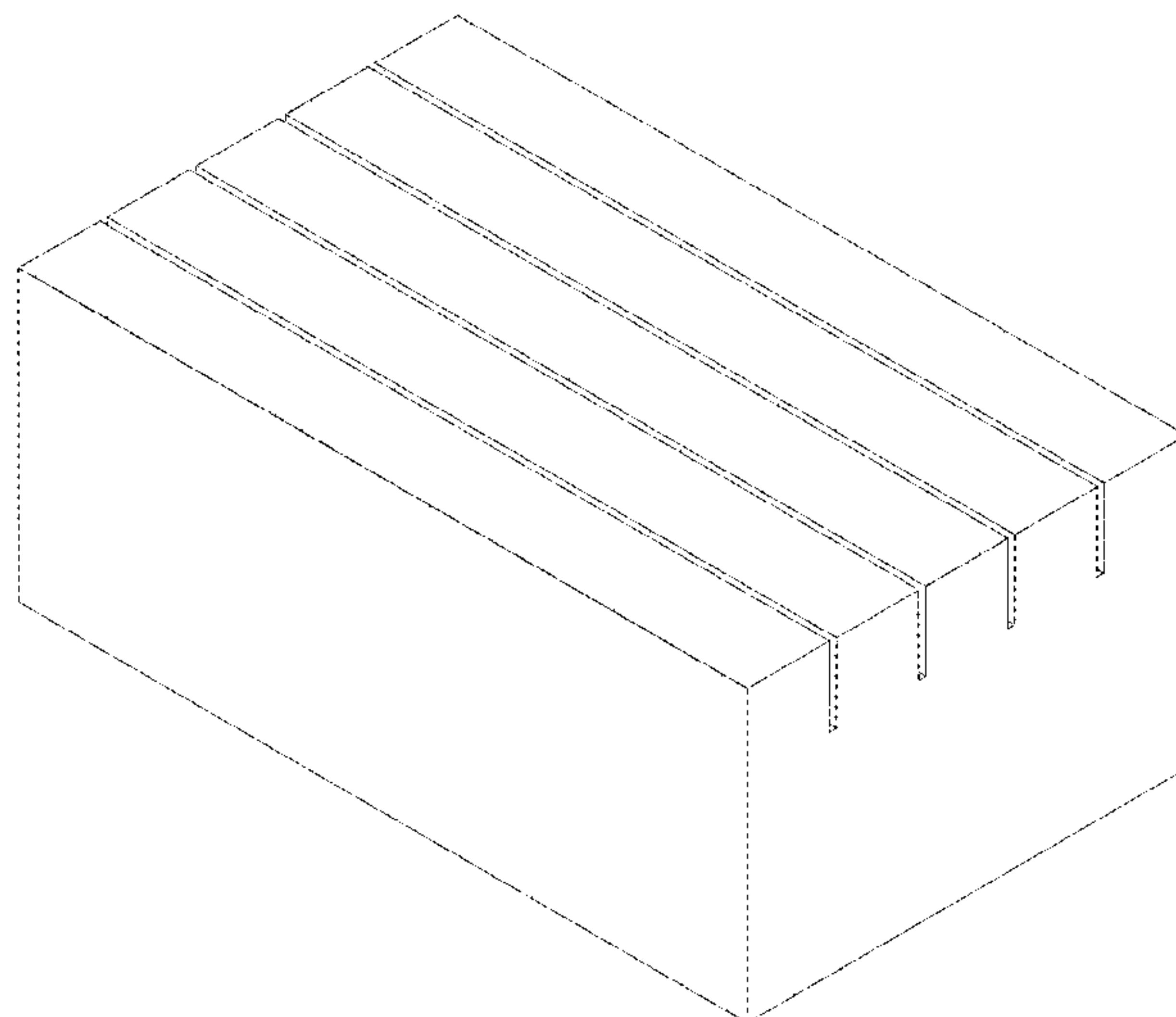
FIG. 1 is a perspective view of the cleaning implement. FIG. 2 is a top plan view thereof. FIG. 3 is a bottom plan view thereof. FIG. 4 is a right side elevational view of the cleaning implement, the left side elevational view being a mirror image thereof; and, FIG. 5 is a right end elevational view of the cleaning implement, the left end elevational view being a mirror image thereof.

(56) **References Cited**

**U.S. PATENT DOCUMENTS**

- 416,184 A \* 12/1889 Riddle ..... A47L 13/16  
15/209.1
- 2,133,805 A 10/1938 Brown
- 3,570,036 A 3/1971 Gilchrist et al.
- 3,861,993 A 1/1975 Guthrie
- 4,055,029 A 10/1977 Kalbow
- 4,111,666 A 9/1978 Kalbow
- 4,240,760 A 12/1980 Levine
- 4,506,404 A 3/1985 Clay
- D300,478 S \* 3/1989 Hoyt ..... D32/40

**1 Claim, 5 Drawing Sheets**



(56)

References Cited

U.S. PATENT DOCUMENTS

D429,860 S 8/2000 Denney  
 D430,716 S \* 9/2000 Denney ..... D32/40  
 D431,100 S 9/2000 Denney  
 D435,710 S 12/2000 Denney  
 D436,702 S 1/2001 Denney  
 D446,367 S 8/2001 Denney  
 D446,895 S \* 8/2001 Denney ..... D32/40  
 D447,297 S 8/2001 Denney  
 6,305,047 B1 10/2001 Armaly, Jr.  
 D462,818 S \* 9/2002 Haro ..... D32/43  
 D464,472 S \* 10/2002 Haro ..... D32/43  
 D473,027 S 4/2003 Pecaut  
 6,574,825 B1 \* 6/2003 Boldy ..... A47L 13/38  
 15/244.4  
 6,578,227 B2 \* 6/2003 Bailey ..... B08B 3/04  
 492/30  
 D506,299 S 6/2005 Chumley  
 D506,587 S 6/2005 Armaly, Jr.  
 D516,762 S 3/2006 Young  
 D525,403 S 7/2006 Olsson et al.  
 7,124,465 B1 \* 10/2006 Kaminstein ..... A47L 13/16  
 15/244.4  
 7,210,188 B1 \* 5/2007 Kirby ..... A47L 13/16  
 15/244.4  
 7,234,189 B2 6/2007 Chen  
 D546,010 S 7/2007 Caruso et al.  
 D548,414 S 8/2007 Akin et al.  
 7,260,863 B2 8/2007 Kaufman et al.  
 D553,316 S 10/2007 Poizeau et al.  
 D559,486 S 1/2008 Kiyotomo  
 D578,718 S 10/2008 Bettanin  
 D591,018 S 4/2009 Bogaerts et al.  
 7,629,043 B2 12/2009 Lindsay et al.  
 D625,063 S 10/2010 Armaly  
 D634,495 S 3/2011 Dunshee  
 D636,955 S 4/2011 Armaly  
 D638,185 S 5/2011 Yoon  
 D655,469 S 3/2012 Millar et al.  
 D657,925 S 4/2012 Luipold  
 8,327,493 B2 12/2012 Armaly  
 D674,565 S \* 1/2013 Koenig ..... D32/40  
 D685,962 S 7/2013 Timm  
 8,505,150 B2 8/2013 Armaly  
 D702,904 S \* 4/2014 Tekulve ..... D32/40  
 D704,403 S 5/2014 Vittucci-Schneider  
 D709,261 S 7/2014 Guyaux  
 9,174,247 B2 \* 11/2015 Gonzales ..... B32B 7/09

D745,760 S 12/2015 White et al.  
 D747,582 S 1/2016 Weller  
 9,526,392 B2 12/2016 Konkey  
 D804,923 S 12/2017 Umbrell  
 D813,481 S 3/2018 Jack et al.  
 D846,217 S \* 4/2019 Gavney, Jr. .... D32/40  
 D848,102 S 5/2019 Carlson  
 D914,370 S 3/2021 Thyson  
 D945,099 S \* 3/2022 Matilsky ..... D32/40  
 D956,378 S \* 6/2022 Matilsky ..... D32/40  
 2005/0136238 A1 \* 6/2005 Lindsay ..... A47L 13/16  
 428/317.1  
 2006/0230569 A1 \* 10/2006 Chen ..... A47L 13/16  
 15/244.4  
 2007/0017053 A1 \* 1/2007 Chen ..... A47L 13/16  
 15/244.4  
 2008/0244844 A1 10/2008 Tung  
 2012/0159729 A1 6/2012 Armaly  
 2012/0284942 A1 \* 11/2012 Gavney, Jr. .... A47L 11/4036  
 15/118  
 2013/0133151 A1 5/2013 Armaly  
 2017/0008265 A1 1/2017 Wahlquist et al.  
 2021/0251459 A1 8/2021 McCormack

FOREIGN PATENT DOCUMENTS

DE 49910872-0027 \* 9/2001  
 JP D1465596 4/2013  
 JP D1478801 9/2013

OTHER PUBLICATIONS

Tineye image dates Dec. 18, 2013, site visited Oct. 25, 2022, <https://www.dreamstime.com/royalty-free-stock-photos-square-sponge-texture-image3355168>.  
 Raimondi Tools USA, "5"×11" Slitted Yellow Sponge for Raimondi Skipper & Pulirapid," [online], [retrieved Oct. 25, 2022], Retrieved from the Internet ,URL: [https://www.amazon.com/Slitted-Yellow-Raimondi-Skipper-Pulirapid/dp/B00MW8HNE4/ref=sr\\_1\\_53?keywords=Raimondi+Tools+USA&qid=1557768455&s=gateway&sr=8-53](https://www.amazon.com/Slitted-Yellow-Raimondi-Skipper-Pulirapid/dp/B00MW8HNE4/ref=sr_1_53?keywords=Raimondi+Tools+USA&qid=1557768455&s=gateway&sr=8-53)>.  
 "Segmented Foam Seat Cushion," Oct. 9, 2014, retrieved Oct. 25, 2022. Retrieved from the Internet. URL: <[http://commons.wikimedia.org/w/index.php?title=File:Segmented\\_Foam.JPG&oldid=219270640%22](http://commons.wikimedia.org/w/index.php?title=File:Segmented_Foam.JPG&oldid=219270640%22)>.

\* cited by examiner

FIG. 1

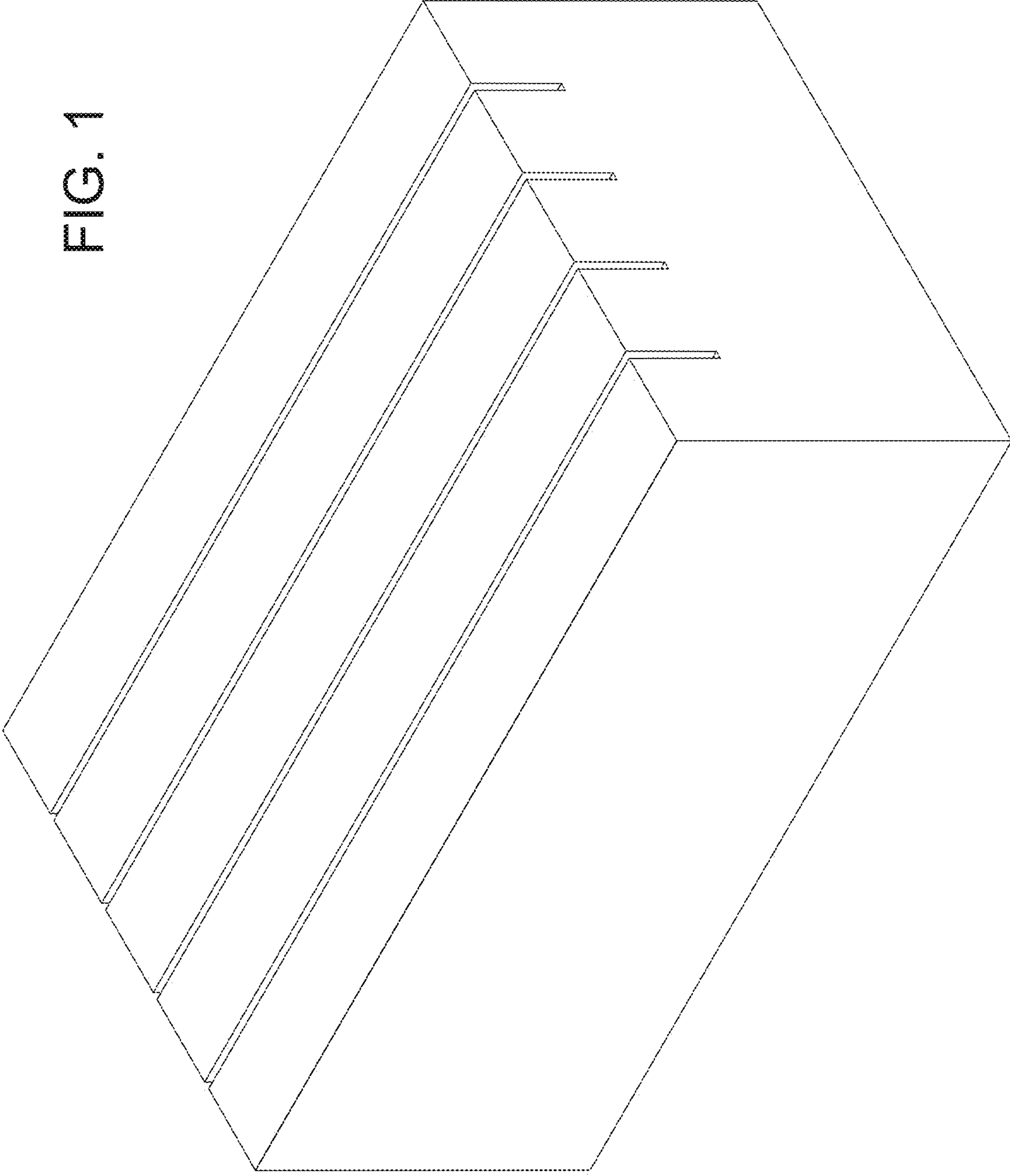


FIG. 2



FIG. 3

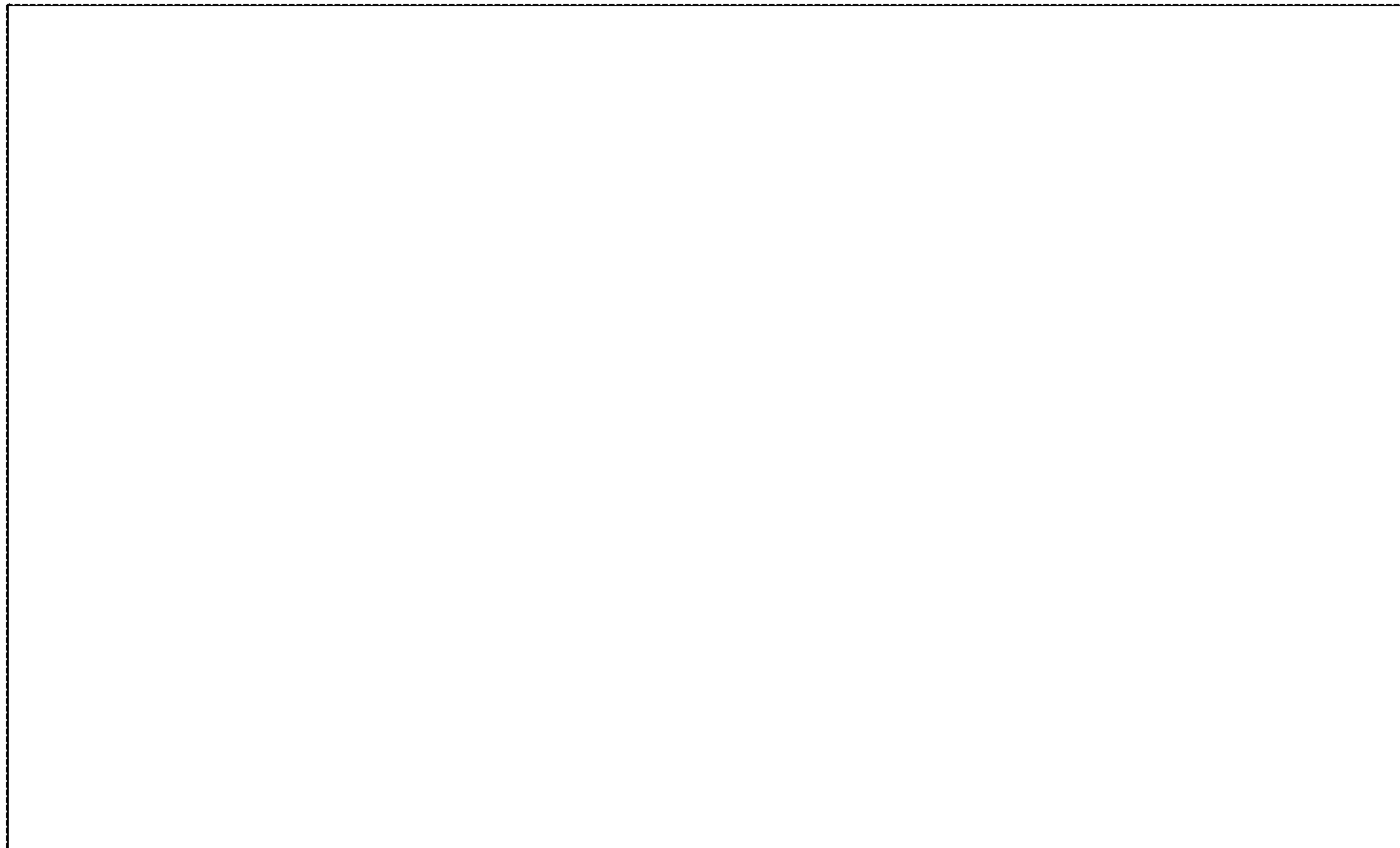


FIG. 4





FIG. 5

