



US00D989428S

(12) **United States Design Patent**
Wrobleski

(10) **Patent No.:** **US D989,428 S**
(45) **Date of Patent:** **** Jun. 13, 2023**

(54) **CLEANING FOOT FOR A FLOOR CLEANER**

(71) Applicant: **BISSELL Inc.**, Grand Rapids, MI (US)

(72) Inventor: **Dennis J. Wrobleski**, Lowell, MI (US)

(73) Assignee: **BISSELL Inc.**, Grand Rapids, MI (US)

(**) Term: **15 Years**

(21) Appl. No.: **29/795,996**

(22) Filed: **Jun. 22, 2021**

(51) **LOC (14) Cl.** **15-05**

(52) **U.S. Cl.**
USPC **D32/32**

(58) **Field of Classification Search**
USPC D32/17-25, 31-35, 38-40
CPC A47L 5/24; A47L 5/26; A47L 5/28; A47L
9/102; A47L 9/122; A47L 9/127; A47L
9/1608; A47L 9/2884; A47L 9/00; A47L
9/325; A47L 9/1666; A47L 9/1683; A47L
5/362; A47L 7/0038; B04C 5/185; B01D
2279/55; B23Q 11/0046

See application file for complete search history.

(56) **References Cited**

U.S. PATENT DOCUMENTS

D427,399 S *	6/2000	Thur	D32/33
D475,823 S *	6/2003	Medema	D32/32
D541,498 S *	4/2007	Moine	D32/32
D571,066 S *	6/2008	Luebbering	D32/32
D605,371 S *	12/2009	Baek	D32/32
D622,460 S *	8/2010	Hill	D32/32
D622,462 S *	8/2010	Santiago	D32/32
D644,802 S *	9/2011	Park	D32/32
D687,197 S *	7/2013	Santiago	D32/32
D704,401 S *	5/2014	Kim	D32/32
D720,104 S *	12/2014	Santiago	D32/32
D738,055 S *	9/2015	Luedke	D32/32

D751,779 S *	3/2016	Smith	D32/32
D757,378 S *	5/2016	Johnson	D32/32
D770,109 S *	10/2016	Chu, Jr.	D32/32
D778,517 S *	2/2017	Perin	D32/32
D779,751 S *	2/2017	Chu	D32/32
D780,393 S *	2/2017	Carr	D32/32
D781,014 S *	3/2017	Wu	D32/32
D820,541 S *	6/2018	Haverkamp	D32/32
D827,237 S *	8/2018	Wrobleski	D32/32
D843,071 S *	3/2019	Hooley	D32/32
D850,040 S *	5/2019	Wrobleski	D32/32
D850,741 S *	6/2019	Hooley	D32/32
D910,949 S *	2/2021	Haverkamp	D32/32

FOREIGN PATENT DOCUMENTS

EM	006694774-0004	*	10/2019
ID	A00202102737-000	*	11/2021

* cited by examiner

Primary Examiner — Kevin K Rudzinski
Assistant Examiner — Richard E Yenchesky
(74) *Attorney, Agent, or Firm* — Warner Norcross + Judd
LLP

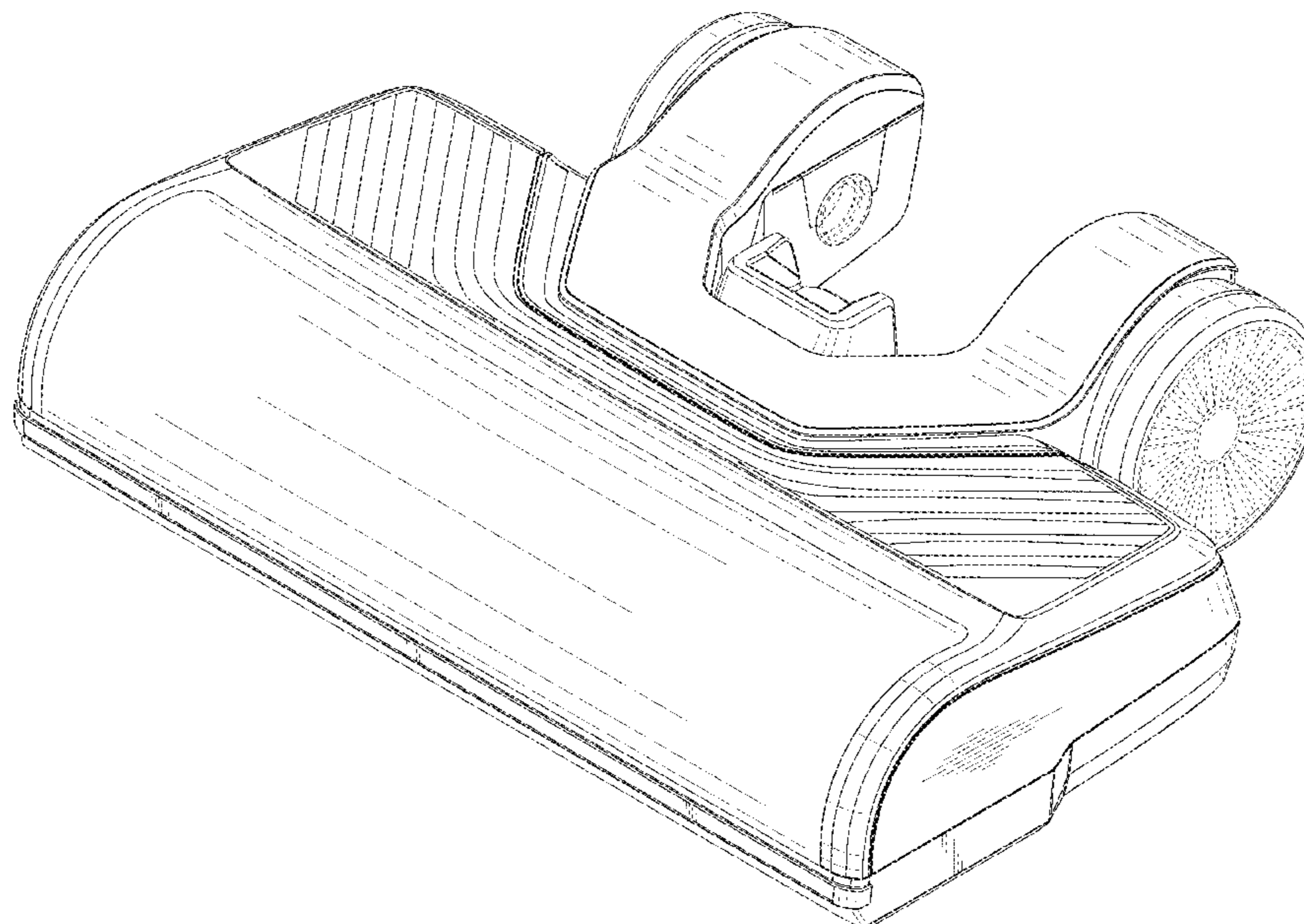
(57) **CLAIM**

The ornamental design for a cleaning foot for a floor cleaner,
as shown and described.

DESCRIPTION

FIG. 1 is a front perspective view of a cleaning foot for a
floor cleaner showing my new design;
FIG. 2 is a front view thereof;
FIG. 3 is a rear view thereof;
FIG. 4 is a right side view thereof;
FIG. 5 is a left side view thereof; and,
FIG. 6 is a top view thereof.
The details of the cleaning foot for a floor cleaner shown in
broken lines form no part of the claimed design.

1 Claim, 4 Drawing Sheets



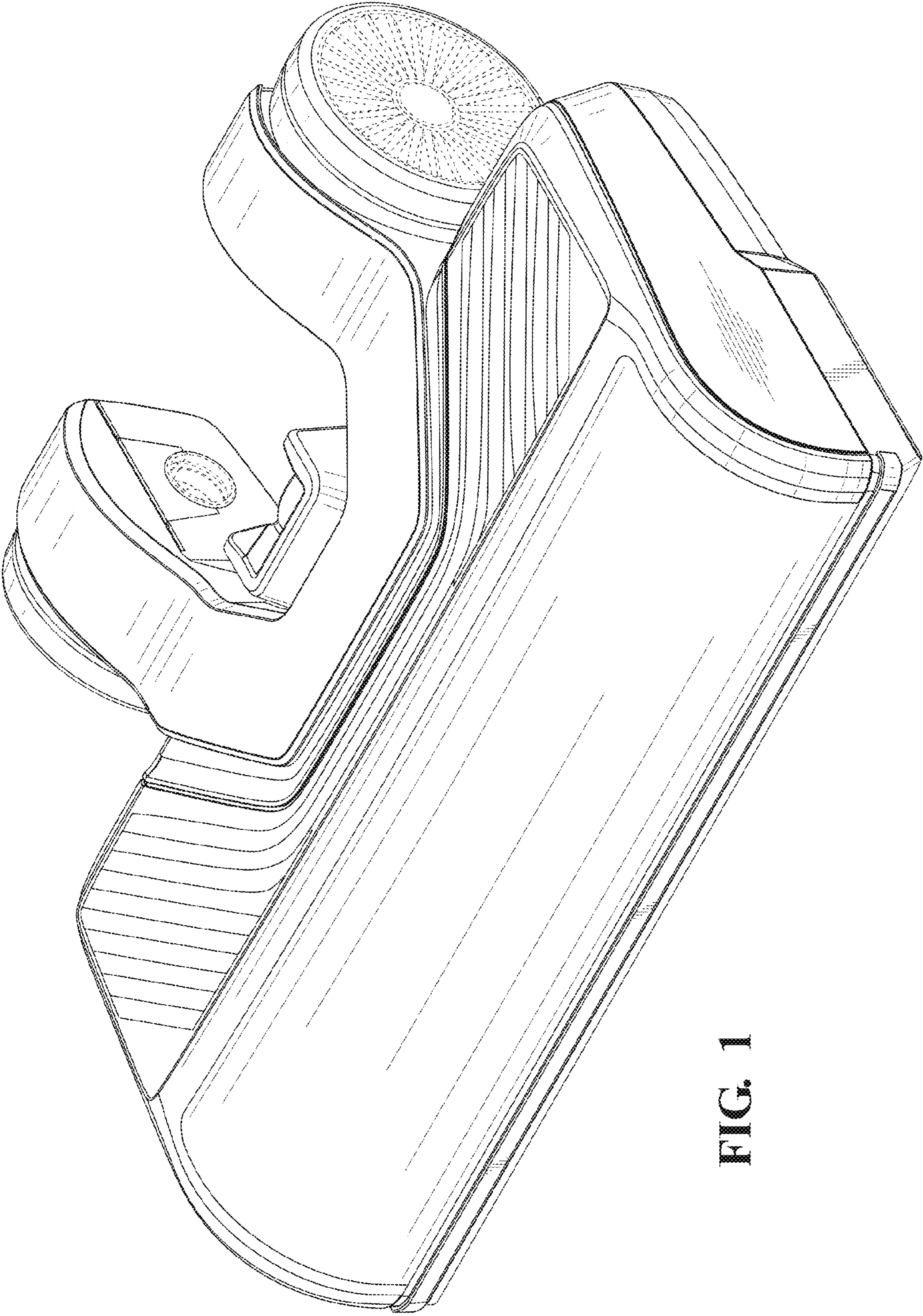


FIG. 1

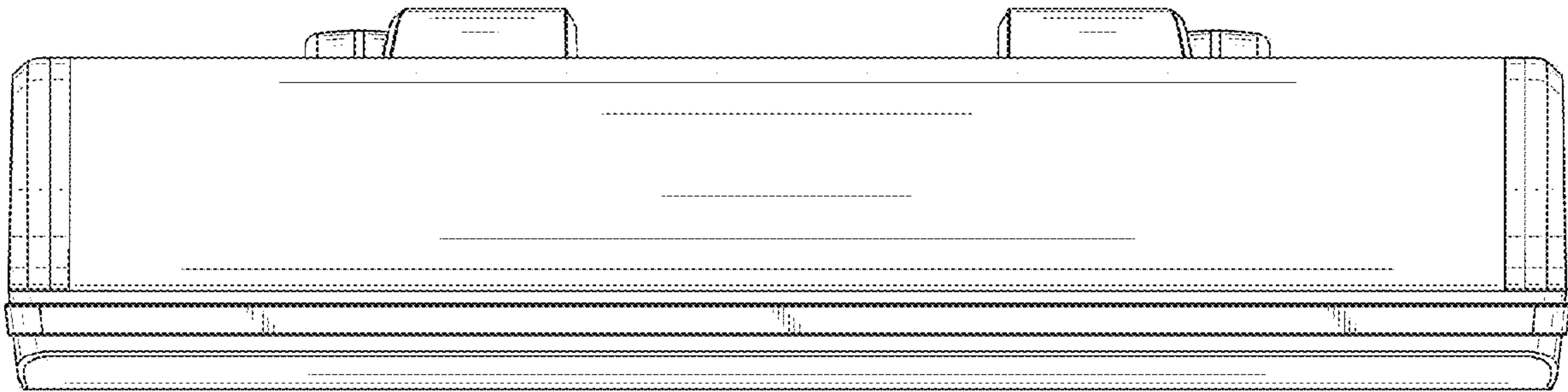


FIG. 2

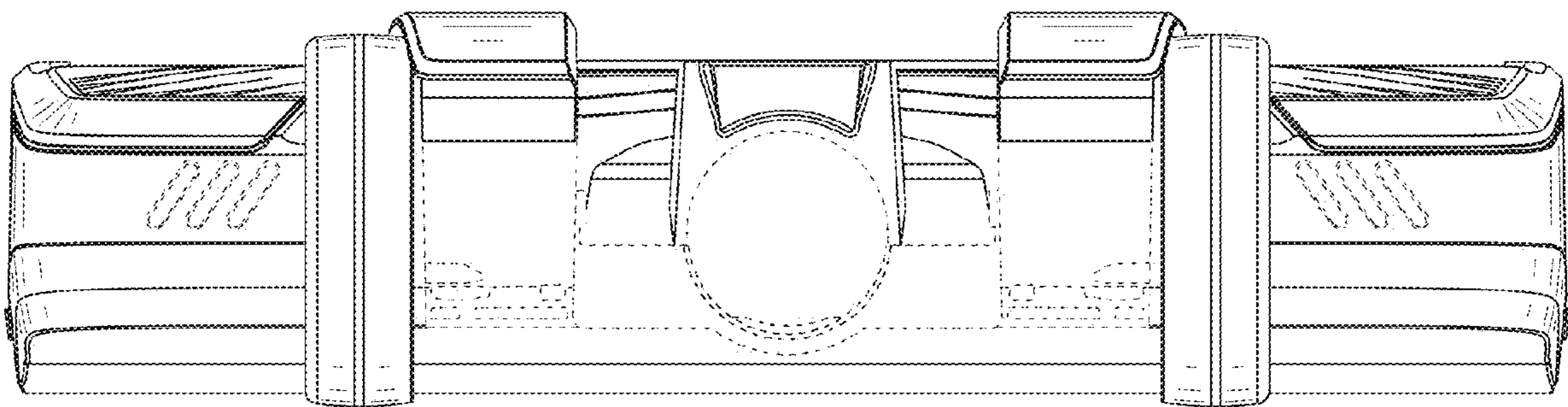


FIG. 3

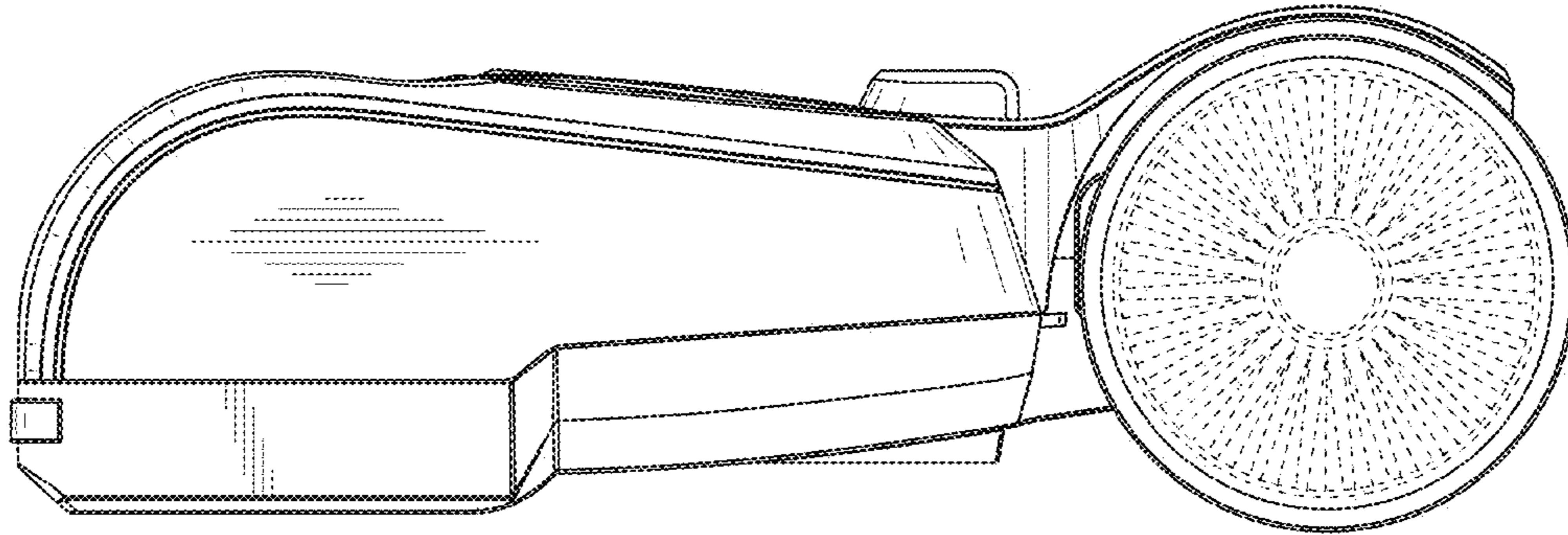


FIG. 4

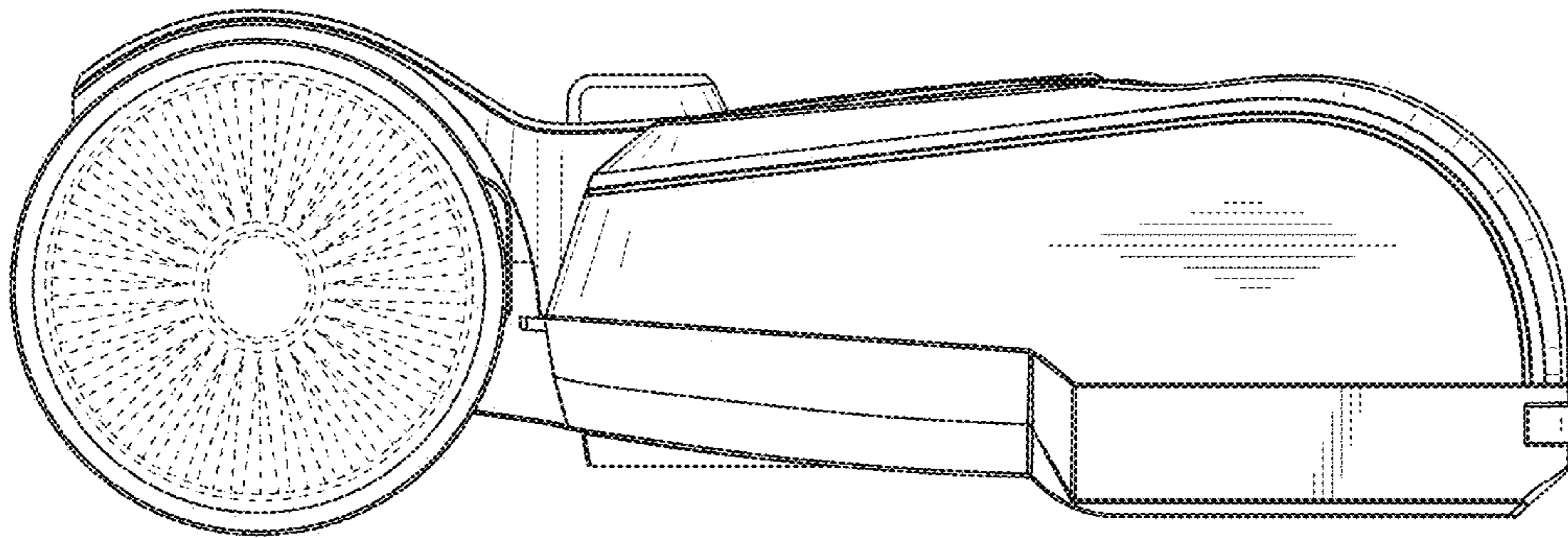


FIG. 5

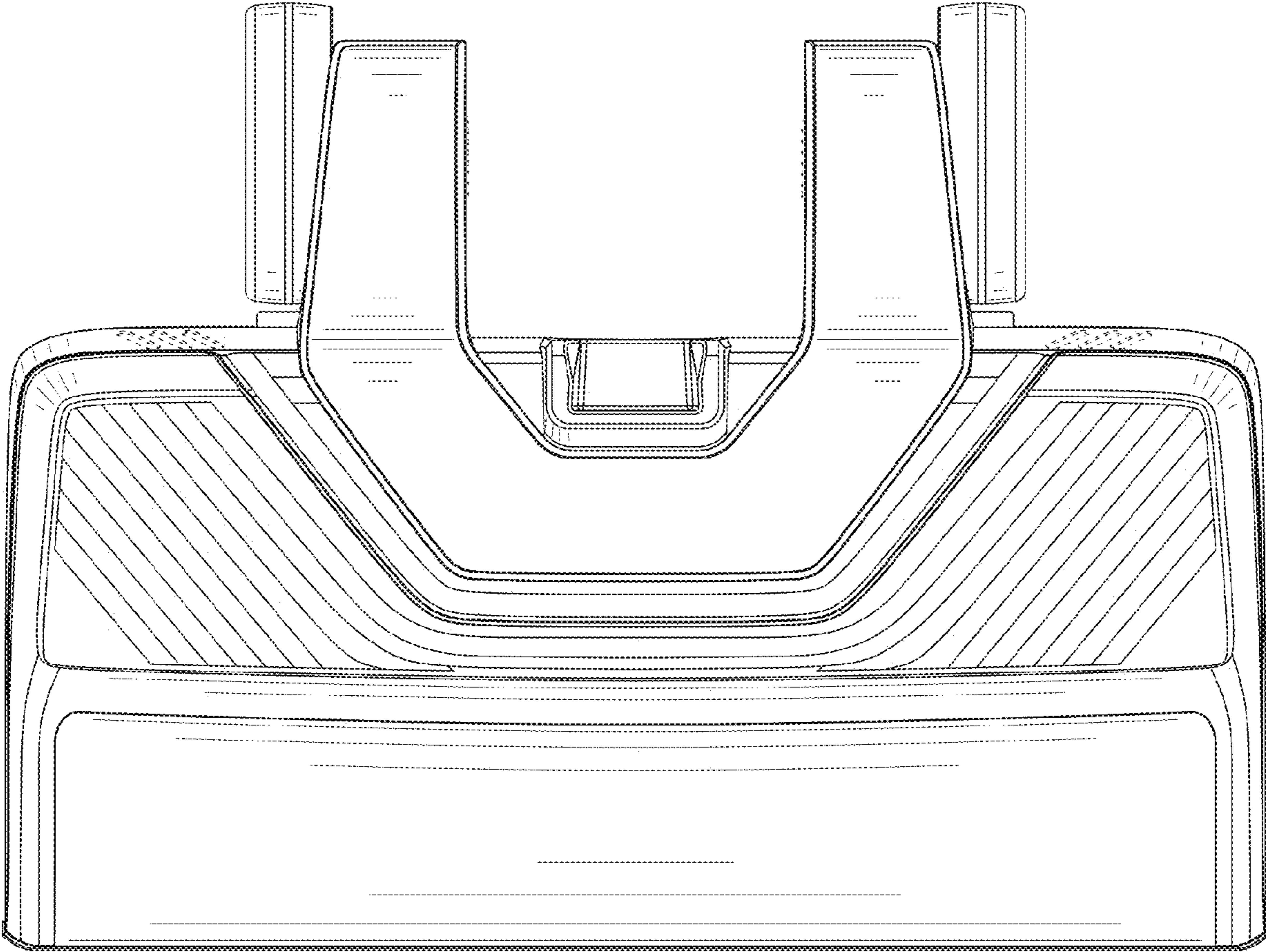


FIG. 6