



US00D989427S

(12) **United States Design Patent**
Newkirk

(10) **Patent No.:** **US D989,427 S**
(45) **Date of Patent:** **** Jun. 13, 2023**

(54) **VACUUM CLEANER**

(71) Applicant: **BISSELL Inc.**, Grand Rapids, MI (US)

(72) Inventor: **Tyler Newkirk**, Grand Rapids, MI (US)

(73) Assignee: **BISSELL Inc.**, Grand Rapids, MI (US)

(**) Term: **15 Years**

(21) Appl. No.: **29/815,559**

(22) Filed: **Nov. 15, 2021**

(51) **LOC (14) Cl.** **15-05**

(52) **U.S. Cl.**
USPC **D32/22; D32/32**

(58) **Field of Classification Search**
USPC D32/15, 17-24, 45, 50-52, 31, 32
CPC . A47L 5/24; A47L 5/28; A47L 9/0411; A47L
9/0477; A47L 9/1625
See application file for complete search history.

10,986,972	B2 *	4/2021	Jenson	A47L 11/4005
D924,509	S *	7/2021	Niedzwecki	D32/22
D926,401	S *	7/2021	Knapp	D32/22
11,064,853	B2 *	7/2021	Clare	A47L 9/0018
D928,435	S *	8/2021	Knapp	D32/22
D930,926	S *	9/2021	Wroblewski	D32/22
11,197,592	B2 *	12/2021	Zhou	A47L 9/26
D946,220	S *	3/2022	Shrader	D32/22
2014/0208540	A1 *	7/2014	Doerfler	A47L 9/325 15/415.1
2019/0082925	A1 *	3/2019	Conrad	A47L 9/1625
2021/0145230	A1 *	5/2021	Paulla	A47L 5/30
2022/0386836	A1 *	12/2022	Glas	A46B 15/0081

* cited by examiner

Primary Examiner — Kimberly Barnes

(74) *Attorney, Agent, or Firm* — Warner Norcross + Judd LLP

(57) **CLAIM**

The ornamental design for a vacuum cleaner, as shown and described.

(56) **References Cited**

U.S. PATENT DOCUMENTS

D739,620	S *	9/2015	Johnson	D32/22
9,402,516	B2 *	8/2016	Pilch	A47L 9/325
D768,944	S *	10/2016	Zhang	D32/22
D769,557	S *	10/2016	Johnson	D32/22
D783,912	S *	4/2017	Shin	D32/22
D784,636	S *	4/2017	Canas	D32/22
D804,751	S *	12/2017	Johnson	D32/22
9,962,052	B2 *	5/2018	Conrad	A47L 9/1683
D844,267	S *	3/2019	Zhou	D32/22
10,278,557	B2 *	5/2019	Rukavina	A47L 9/1691
10,537,219	B2 *	1/2020	Conrad	A47L 9/165
D874,762	S *	2/2020	Tang	D32/22
D887,656	S *	6/2020	Chei	D32/22
10,799,080	B2 *	10/2020	Cho	A47L 9/246

DESCRIPTION

FIG. 1 is a front perspective view of a vacuum cleaner showing my new design;
FIG. 2 is a rear perspective view thereof;
FIG. 3 is a front view thereof;
FIG. 4 is a rear view thereof;
FIG. 5 is a left side view thereof;
FIG. 6 is a right side view thereof;
FIG. 7 is an enlarged top view of the vacuum cleaner; and,
FIG. 8 is an enlarged bottom view of the vacuum cleaner.
The broken lines in the drawings depict portions of the vacuum cleaner that form no part of the claimed design.

1 Claim, 6 Drawing Sheets

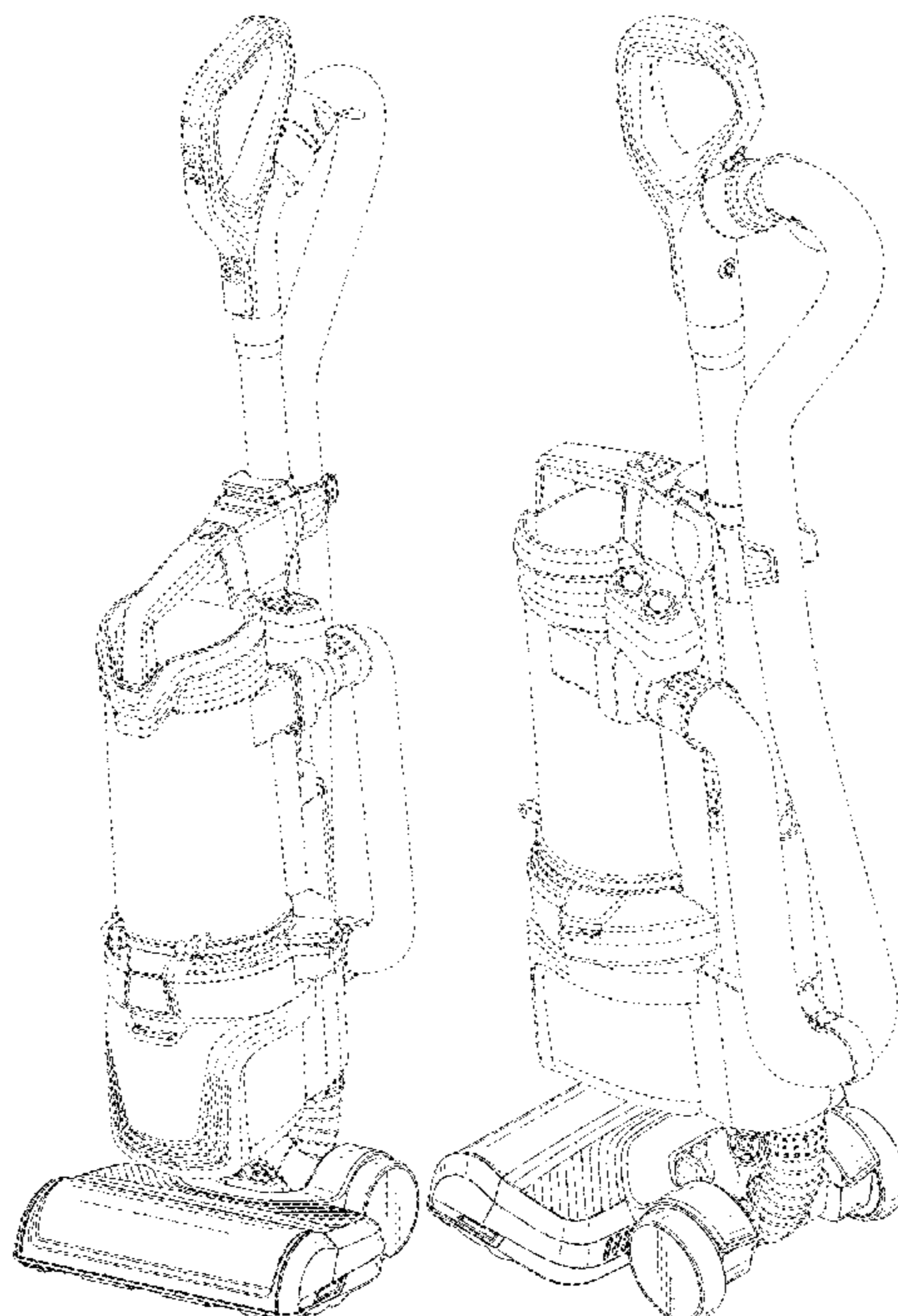


FIG. 1

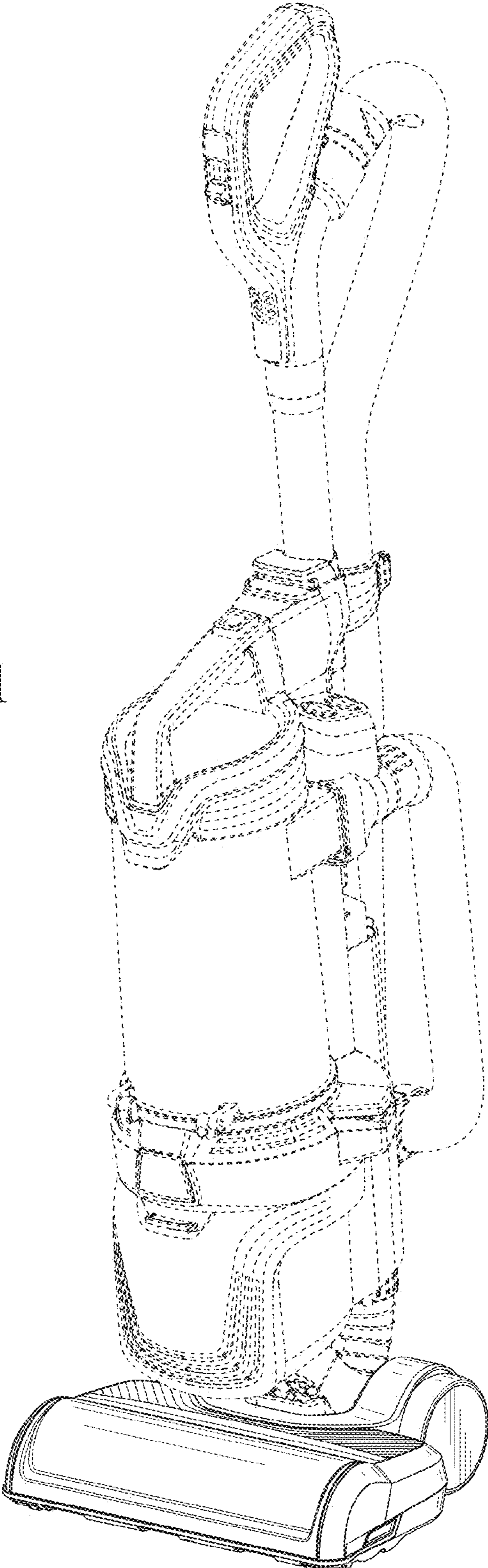


FIG. 2

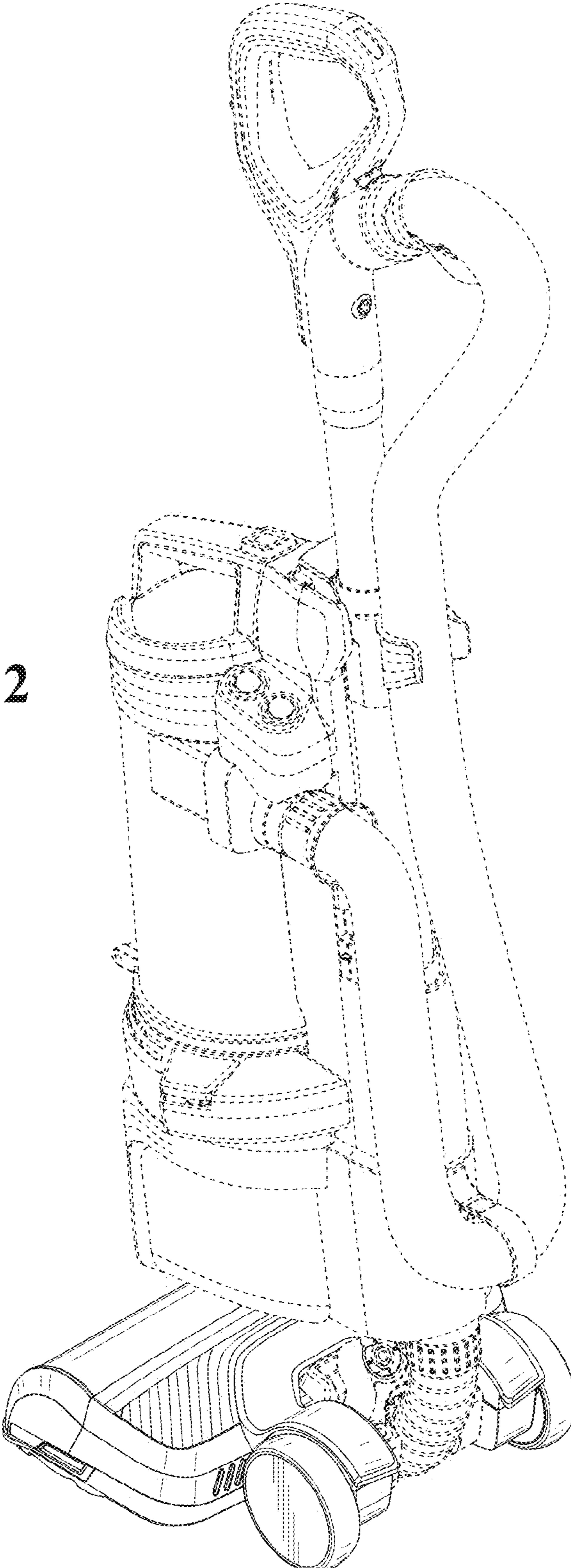


FIG. 3

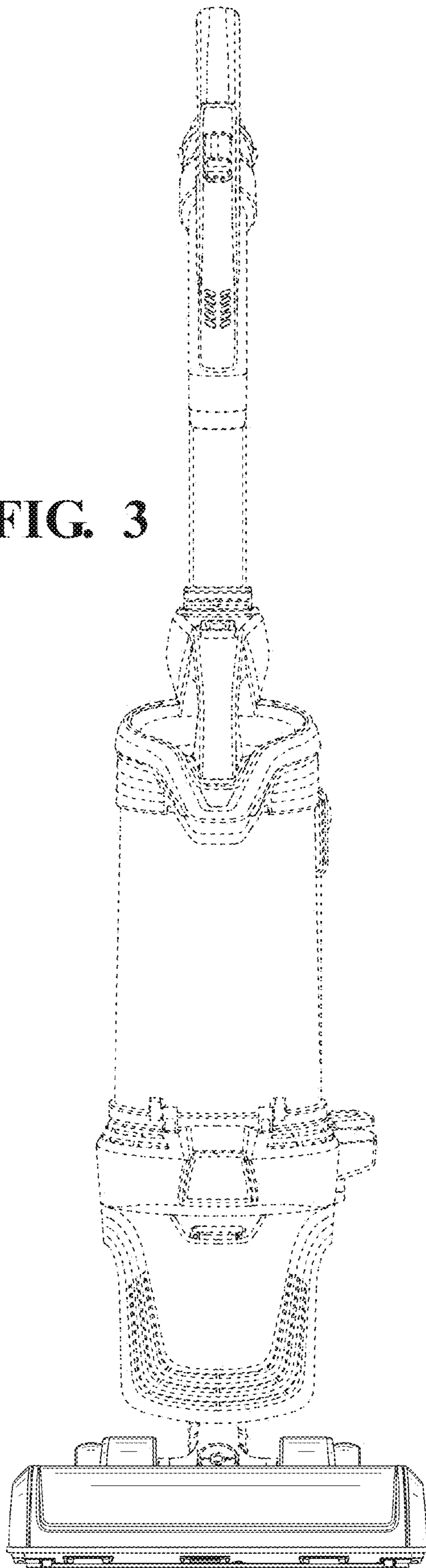


FIG. 4

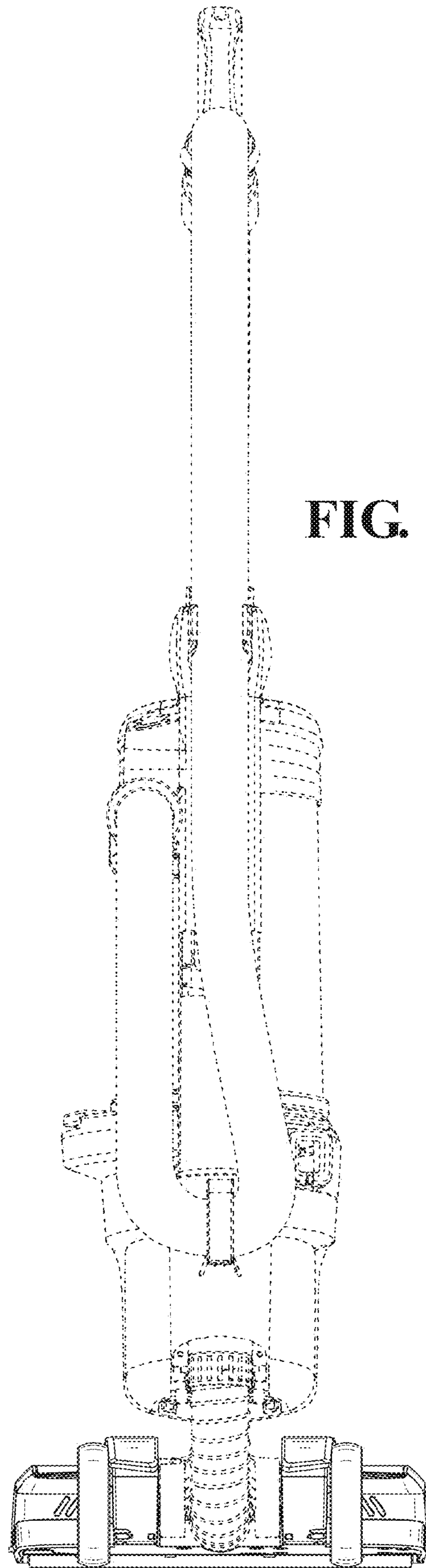
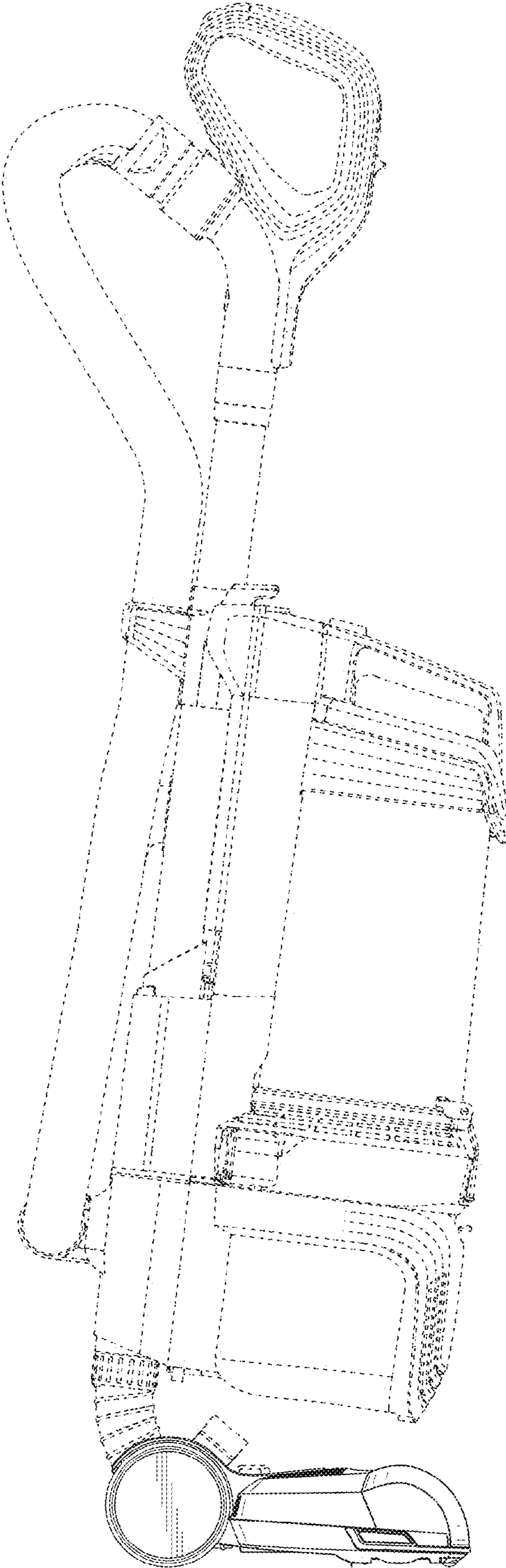


FIG. 5



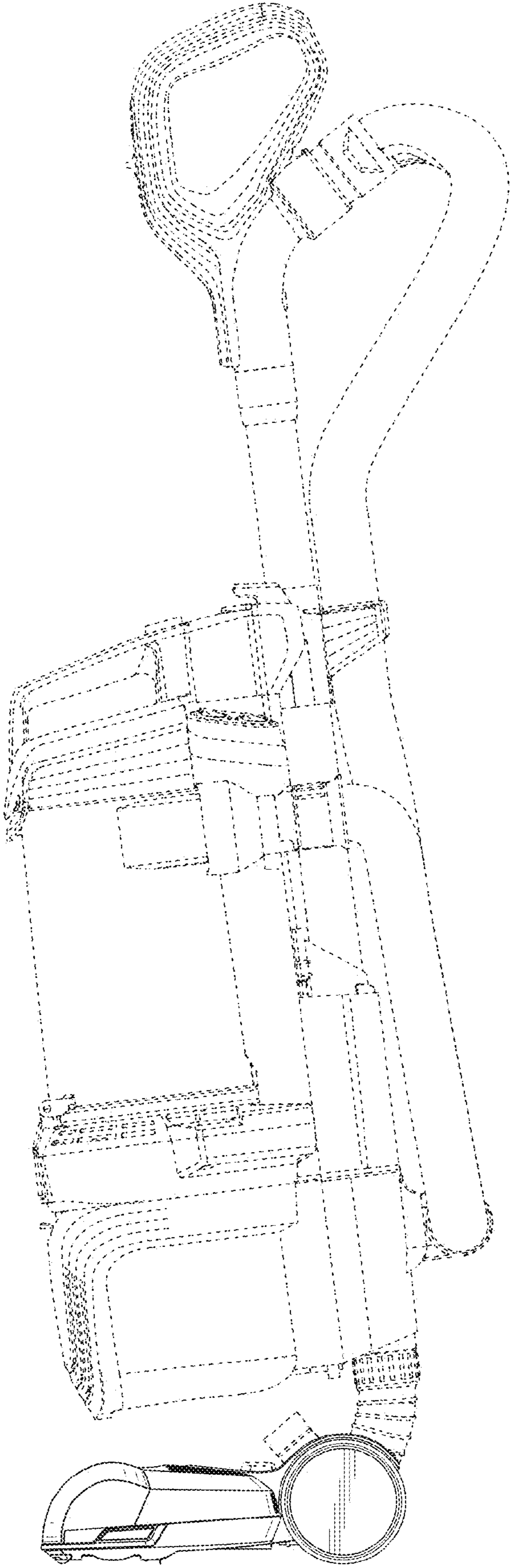


FIG. 6

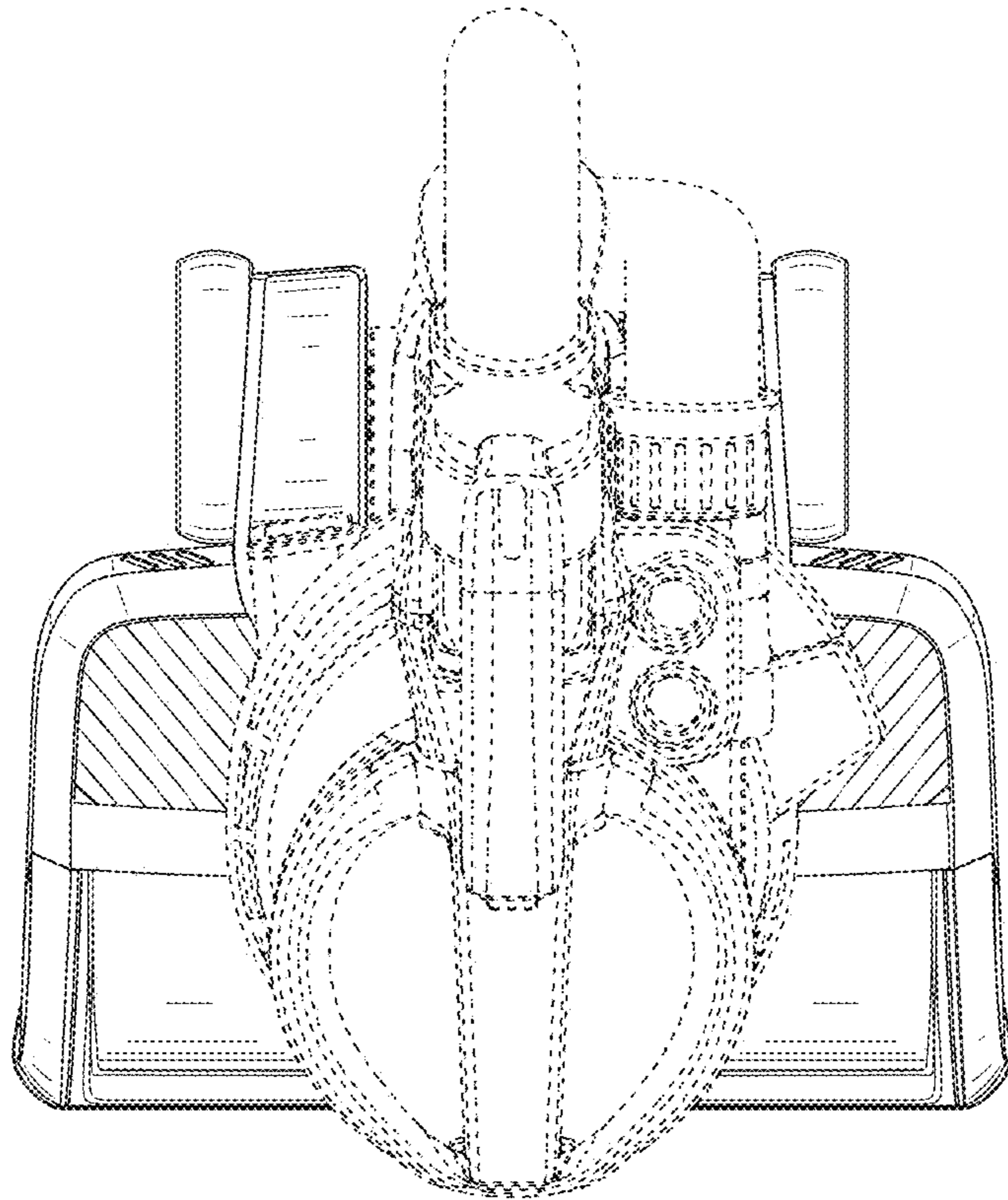


FIG. 7

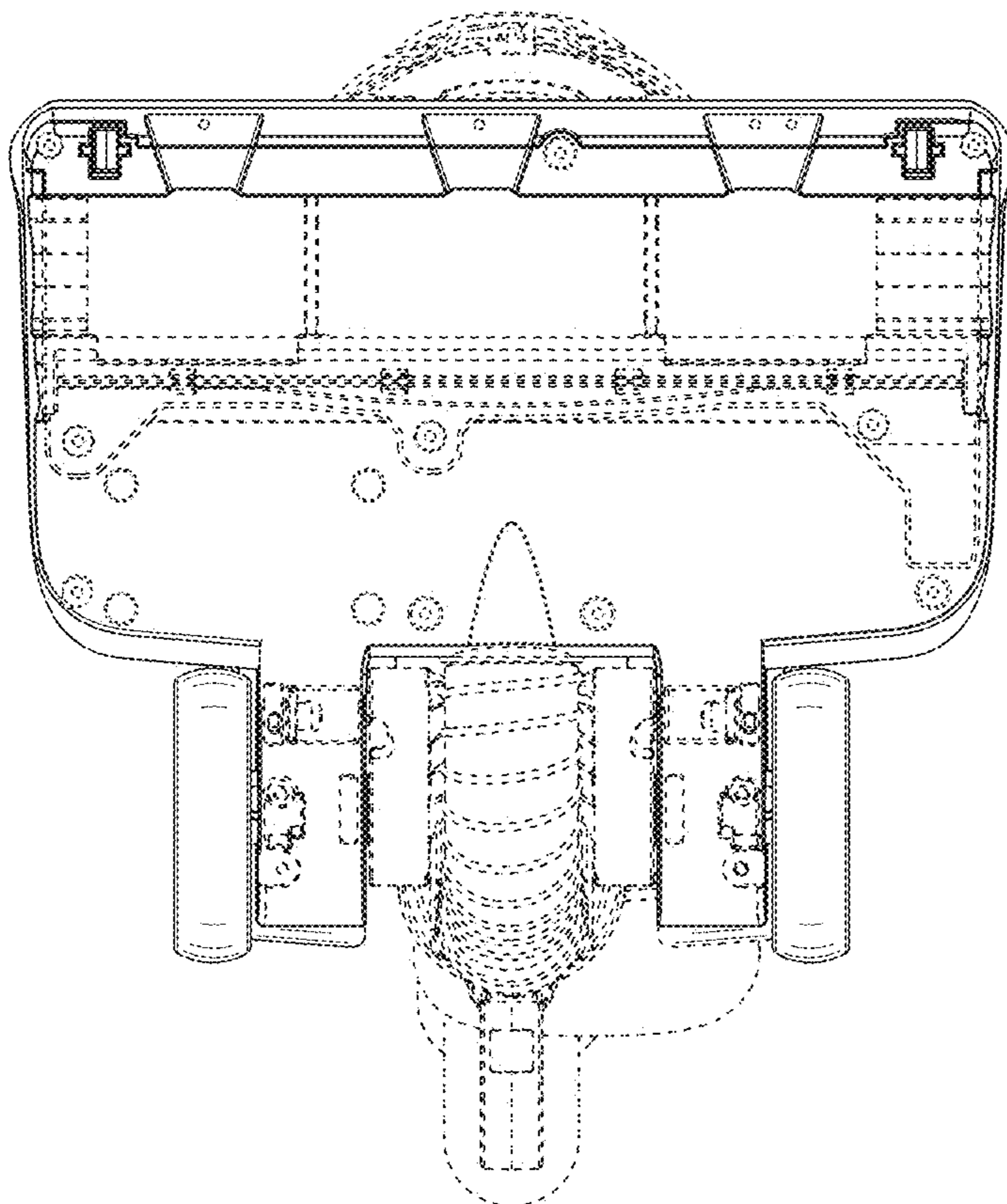


FIG. 8