



US00D989426S

(12) **United States Design Patent**  
**Delfs et al.**

(10) **Patent No.:** **US D989,426 S**  
(45) **Date of Patent:** **\*\* Jun. 13, 2023**

- (54) **ROBOT VACUUM CLEANER**
- (71) Applicant: **Vorwerk & Co. Interholding GmbH**,  
Wuppertal (DE)
- (72) Inventors: **Jan Delfs**, Bonn (DE); **Felix Thies**,  
Wuppertal (DE)
- (73) Assignee: **Vorwerk & Co. Interholding GmbH**
- (\*\*) Term: **15 Years**
- (21) Appl. No.: **29/767,074**
- (22) Filed: **Jan. 20, 2021**
- (51) **LOC (14) Cl.** ..... **15-05**
- (52) **U.S. Cl.**  
USPC ..... **D32/21**
- (58) **Field of Classification Search**  
USPC ..... D32/15, 16, 19, 21, 23  
CPC ... A47L 9/009; A47L 9/14; A47L 9/28; A47L  
11/40; A47L 9/2873; A47L 2201/02;  
A47L 9/00; A47L 9/0477; A47L 9/066;  
A47L 9/2805; A47L 9/2847; A47L  
9/2852; A47L 9/2894; A47L 11/4061;  
A47L 11/4088; A47L 11/4091  
See application file for complete search history.

- (56) **References Cited**  
U.S. PATENT DOCUMENTS
- D551,815 S \* 9/2007 Schroeter ..... D32/21
- D593,265 S \* 5/2009 Carr ..... D32/21
- D709,446 S \* 7/2014 Haug ..... D13/108
- D720,103 S 12/2014 Haug et al.
- 8,898,854 B2 \* 12/2014 Tso ..... A47L 9/2873  
15/340.1
- D859,764 S \* 9/2019 Sexton ..... D32/21
- D860,557 S \* 9/2019 Gnielka ..... D32/21
- D867,987 S \* 11/2019 Mi ..... D13/108
- 10,638,906 B2 \* 5/2020 Herron ..... H04N 5/247
- 10,918,250 B2 \* 2/2021 Lee ..... A47L 9/066
- 11,006,802 B2 \* 5/2021 Watanabe ..... H04N 7/188
- D933,319 S \* 10/2021 Lyu ..... D15/199

- D946,840 S \* 3/2022 Lv ..... D32/21
  - D951,859 S \* 5/2022 Xie ..... D13/102
  - 11,317,774 B2 \* 5/2022 Yun ..... A47L 9/0477
  - 11,317,778 B2 \* 5/2022 Kim ..... G05D 1/0022
  - 2017/0135544 A1 \* 5/2017 Hong ..... A47L 11/4072
- (Continued)

**OTHER PUBLICATIONS**

Neato D8 Intelligent Robot Vacuum Review (on-line), dated May 26, 2021. Retrieved from Internet Oct. 14, 2022, URL: <https://www.pcmag.com/reviews/neato-d8-intelligent-robot-vacuum> (1 page) (Year: 2021).\*

(Continued)

*Primary Examiner* — Kimberly Barnes  
(74) *Attorney, Agent, or Firm* — Barnes & Thornburg LLP

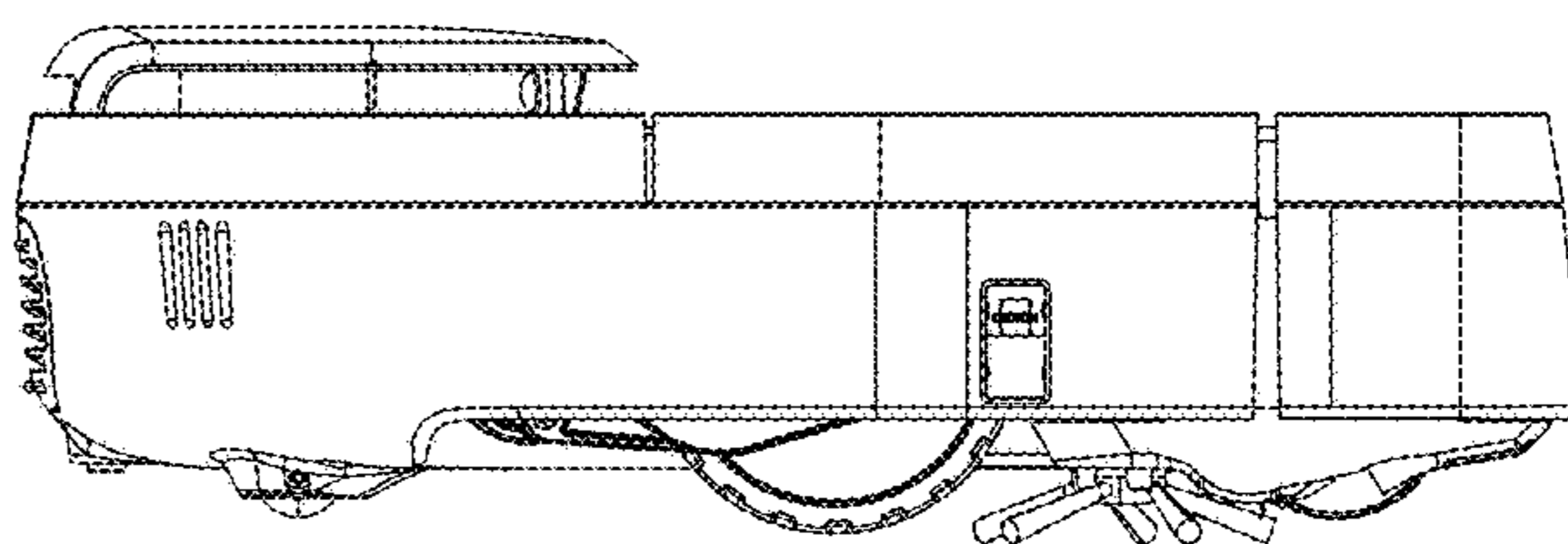
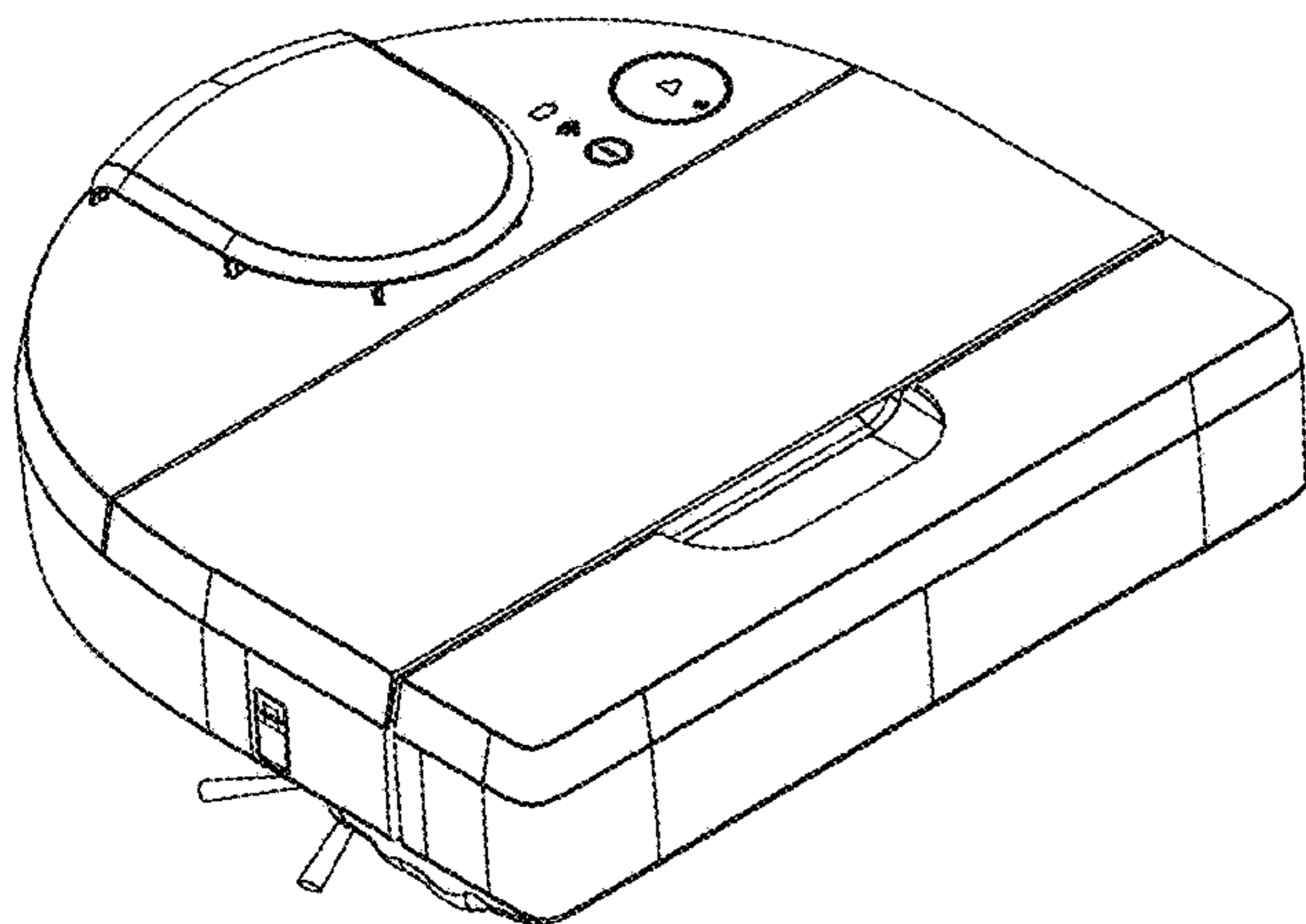
(57) **CLAIM**

The ornamental design for a robot vacuum cleaner, as shown and described.

**DESCRIPTION**

FIG. 1 is a perspective view of a robot vacuum cleaner showing a first embodiment of our new design;  
 FIG. 2 is a front elevation view thereof;  
 FIG. 3 is a rear elevation view thereof;  
 FIG. 4 is a left side elevation view thereof;  
 FIG. 5 is a right side elevation view thereof;  
 FIG. 6 is a top plan view thereof; and  
 FIG. 7 is a bottom plan view thereof.  
 FIG. 8 is a perspective view of a robot vacuum cleaner in a second embodiment;  
 FIG. 9 is a front elevation view thereof;  
 FIG. 10 is a rear elevation view thereof;  
 FIG. 11 is a left side elevation view thereof;  
 FIG. 12 is a right side elevation view thereof;  
 FIG. 13 is a top plan view thereof; and,  
 FIG. 14 is a bottom plan view thereof.

**1 Claim, 14 Drawing Sheets**



(56)

**References Cited**

## U.S. PATENT DOCUMENTS

2018/0095472 A1\* 4/2018 Windorfer ..... G05D 1/0234  
2018/0360282 A1\* 12/2018 Erkek ..... A47L 9/2847  
2019/0018424 A1 1/2019 Hillen  
2019/0045993 A1\* 2/2019 Hahn ..... A47L 9/2852  
2020/0000302 A1\* 1/2020 Morin ..... A47L 11/4088  
2020/0229668 A1\* 7/2020 Bone ..... A47L 9/2894  
2020/0305670 A1\* 10/2020 Kim ..... A47L 9/2884  
2020/0323410 A1\* 10/2020 Ortman ..... A47L 9/12  
2020/0352403 A1\* 11/2020 Kim ..... A47L 9/2889  
2021/0018929 A1\* 1/2021 Choi ..... G05D 1/0246  
2021/0177226 A1\* 6/2021 Burns ..... A47L 9/0466  
2021/0267426 A1\* 9/2021 So ..... G02B 5/10  
2022/0187838 A1\* 6/2022 Kim ..... A47L 9/2842  
2022/0192453 A1\* 6/2022 Mosebach ..... A47L 11/4011  
2022/0280009 A1\* 9/2022 Tan ..... A47L 11/4066

## OTHER PUBLICATIONS

Neato D8 Robot Vacuum—Neato Robotics (on-line), dated Nov. 24, 2021. Retrieved from Internet Oct. 14, 2022, URL: <http://web.archive.org/web/20211124045648/https://neatorobotics.com/products/neato-d8> (1 page) (Year: 2021).\*

Vorwerk—Wikipedia (on-line), no date available. Retrieved from Internet Oct. 14, 2022, URL: [https://en.wikipedia.org/wiki/Vorwerk\\_\(company\)](https://en.wikipedia.org/wiki/Vorwerk_(company)) (5 pages).\*

\* cited by examiner



FIG. 1

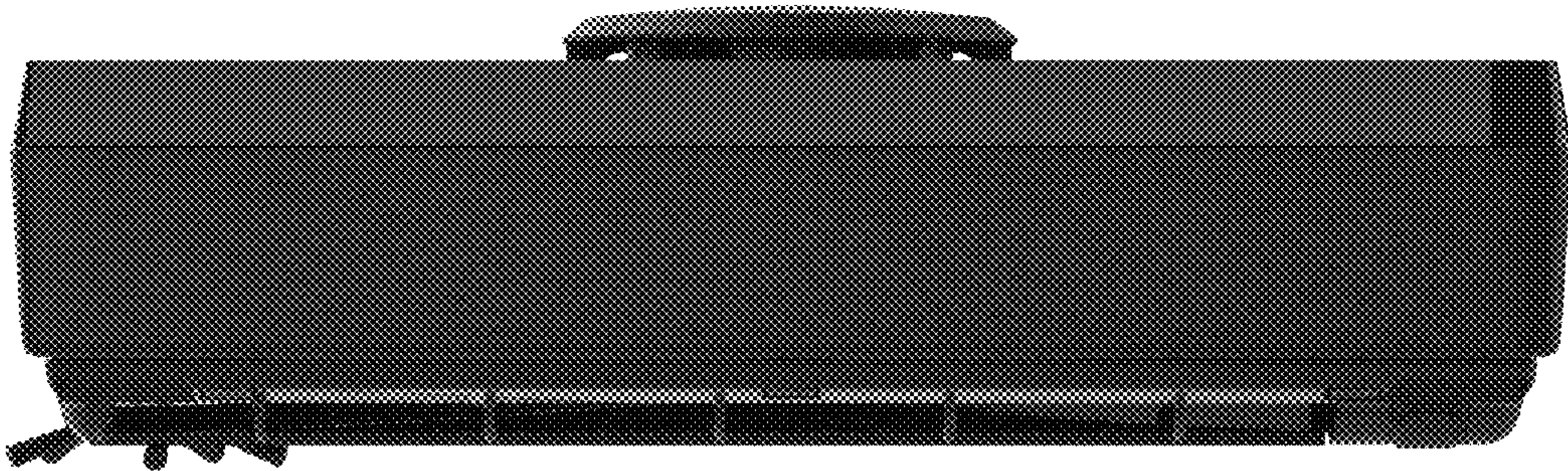


FIG. 2

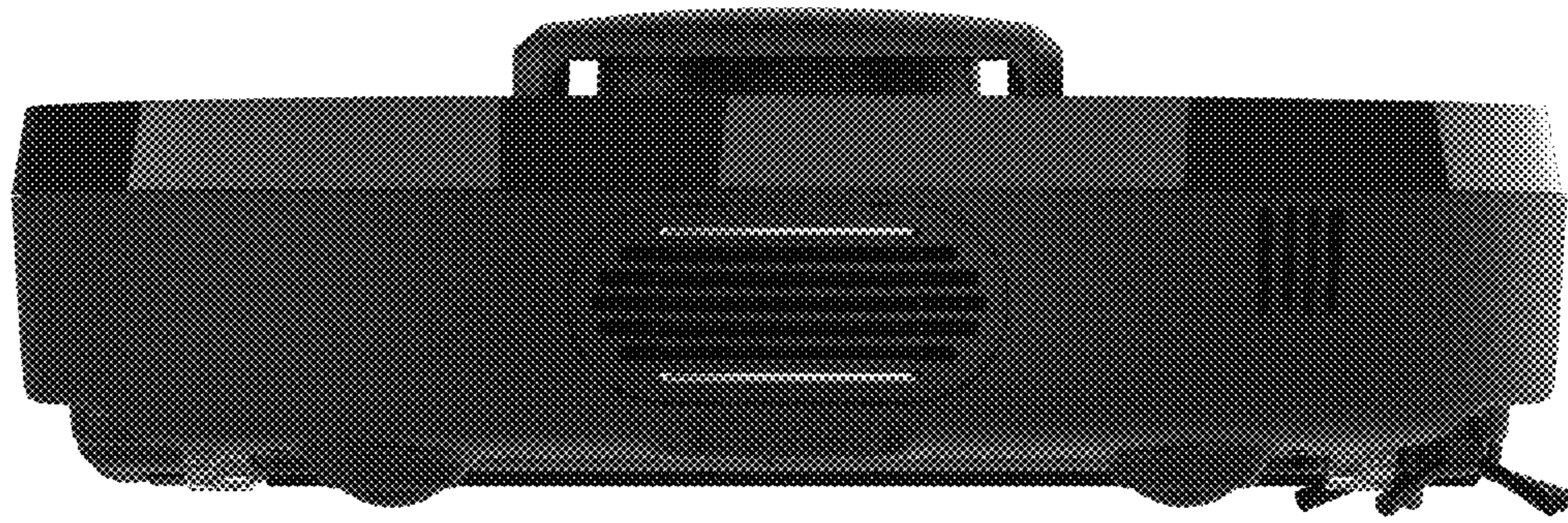


FIG. 3

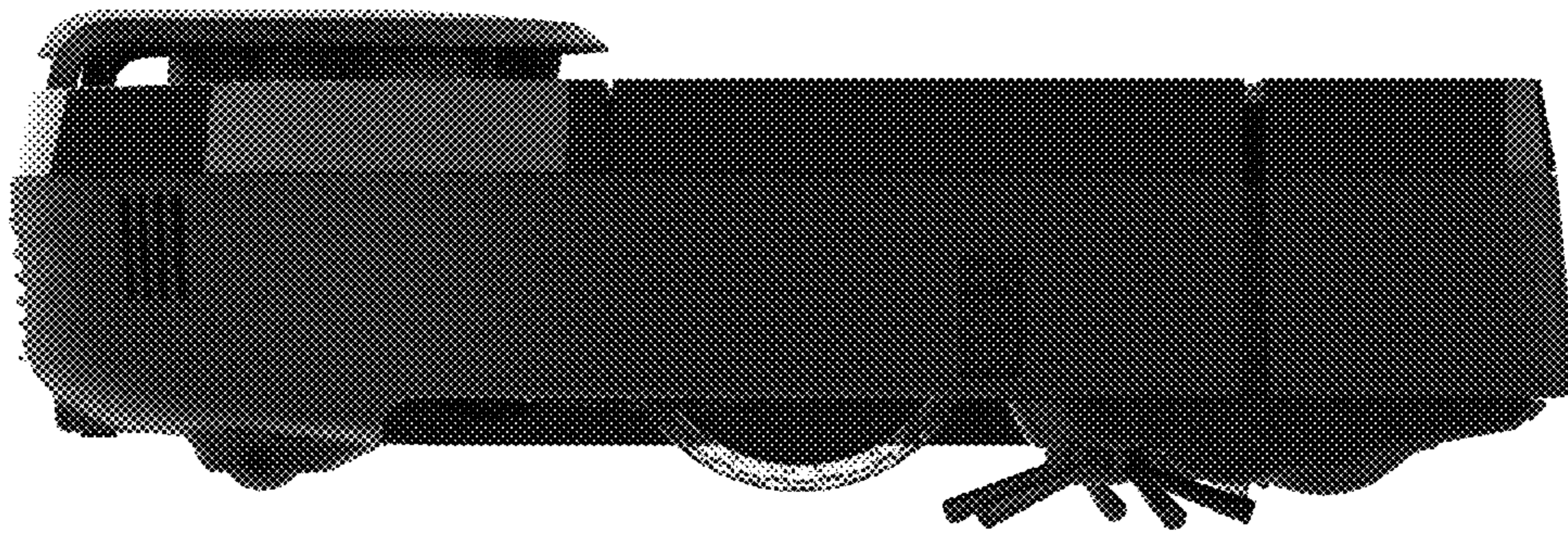


FIG.4

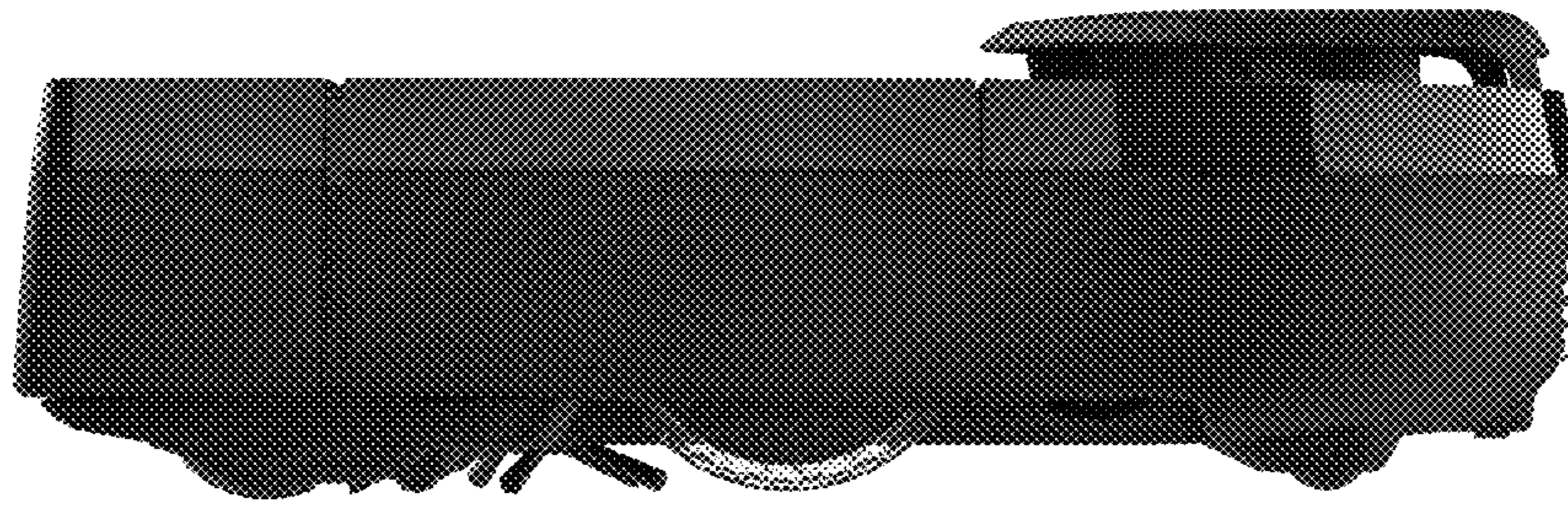


FIG. 5



FIG. 6



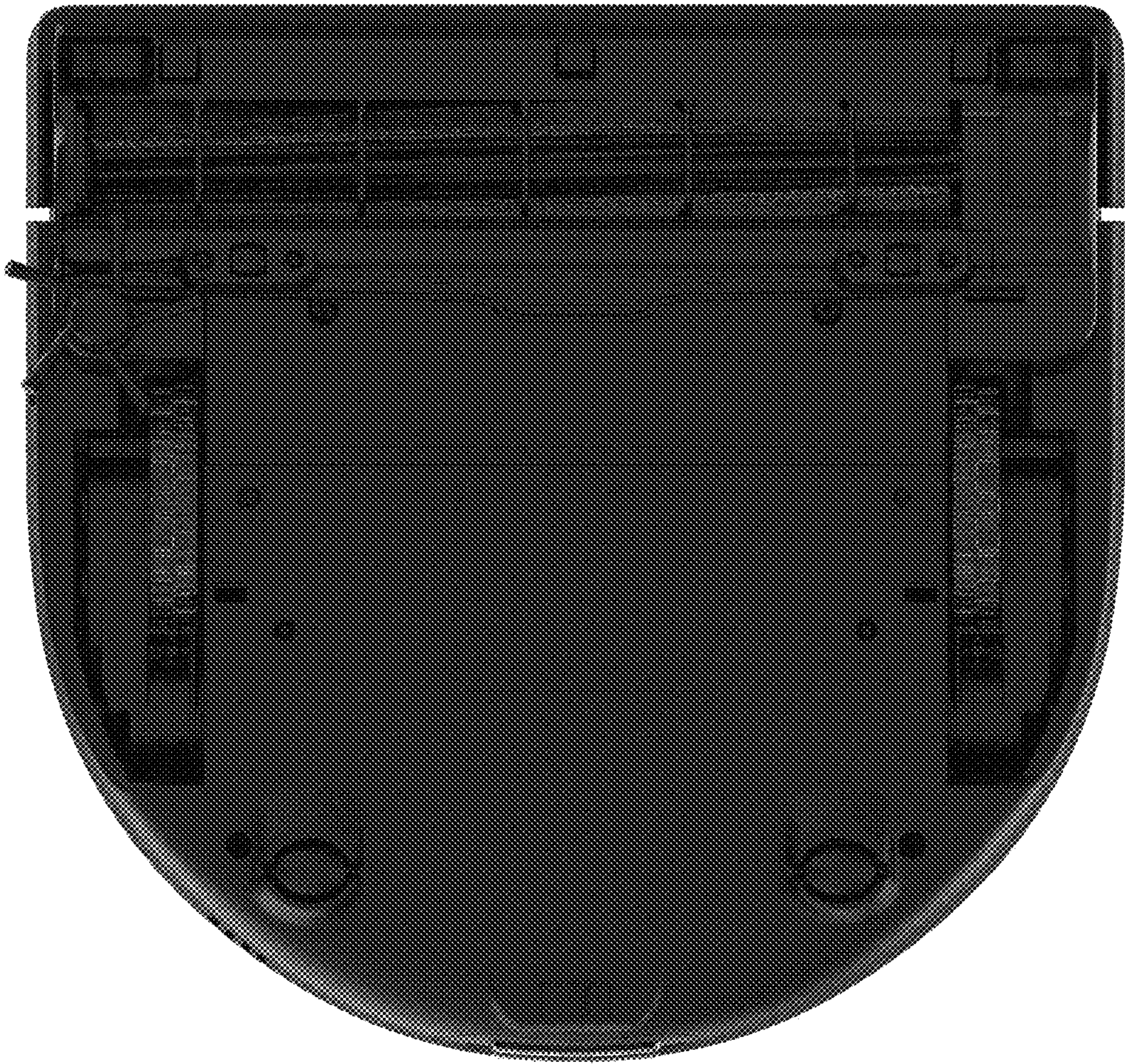
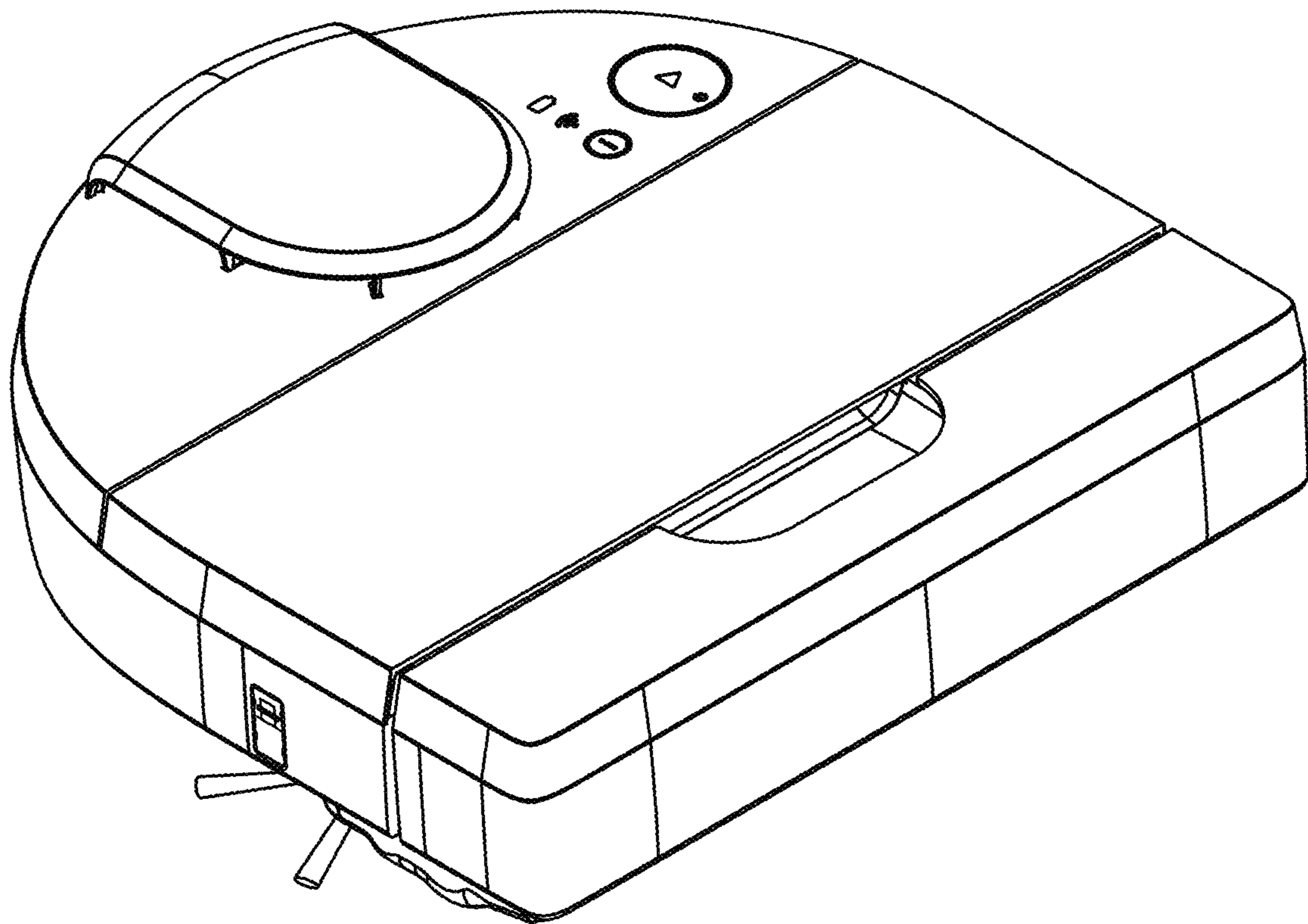
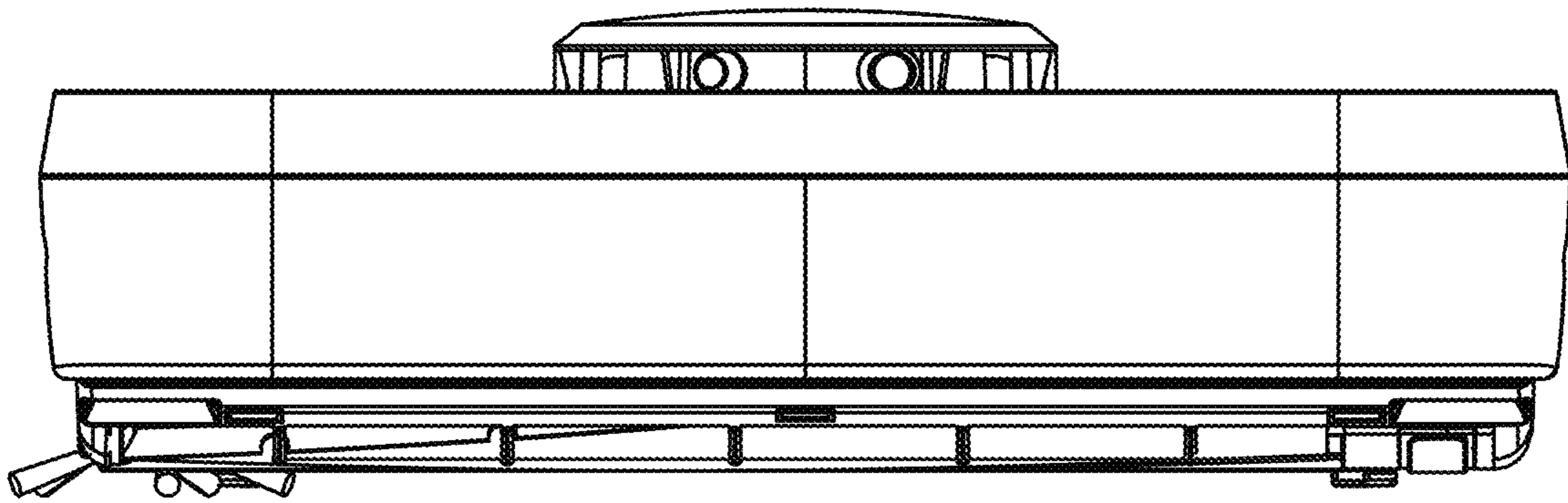


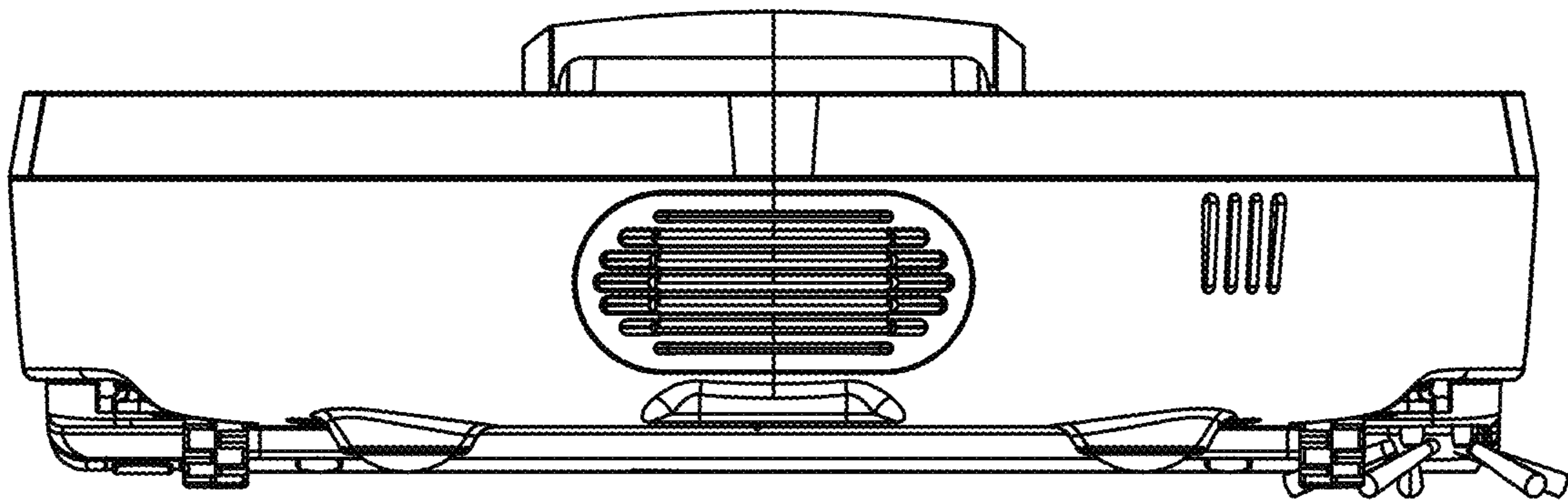
FIG. 7



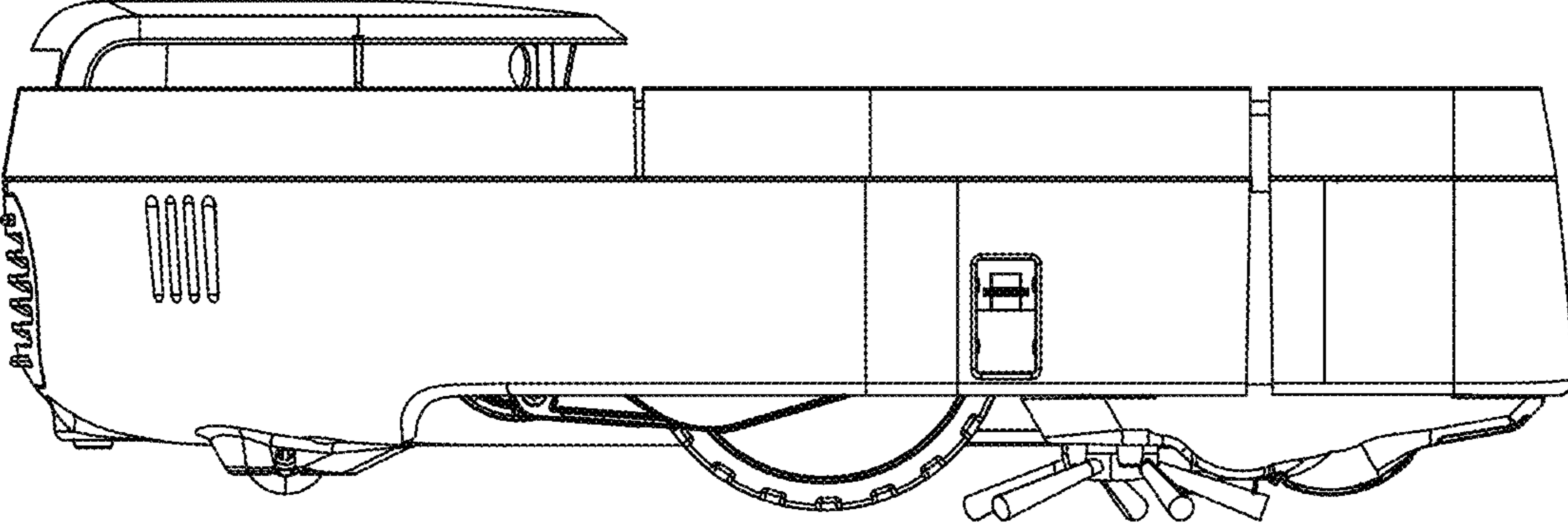
**FIG. 8**



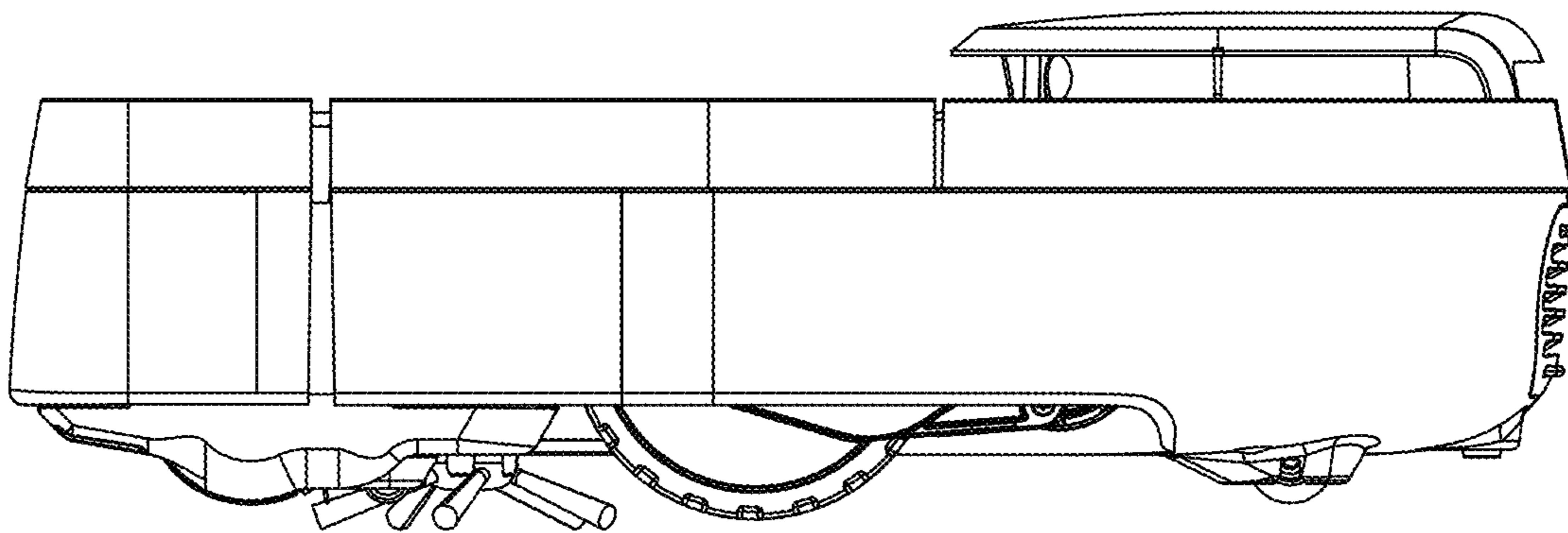
**FIG. 9**



**FIG. 10**



**FIG. 11**



**FIG. 12**

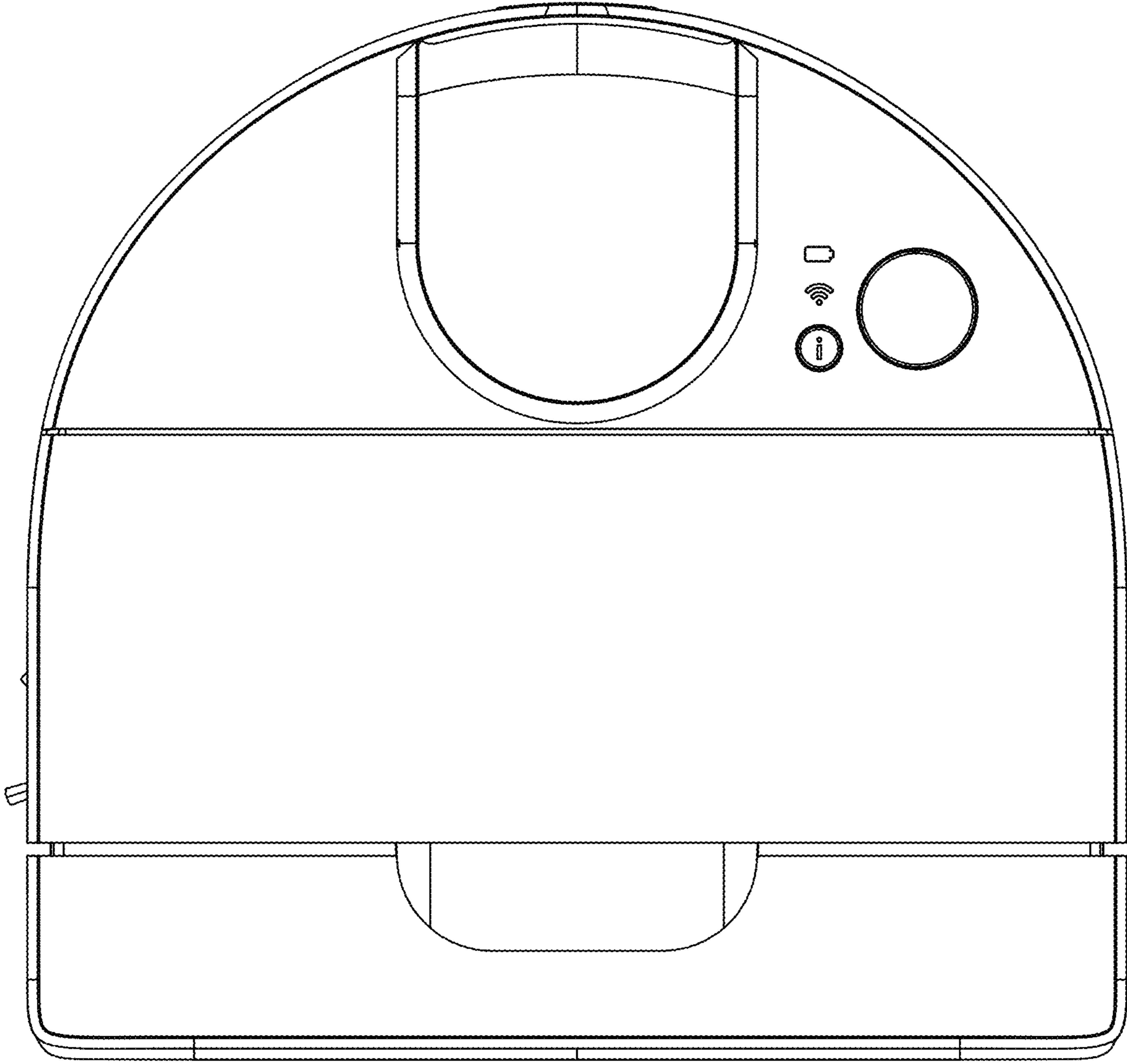


FIG. 13

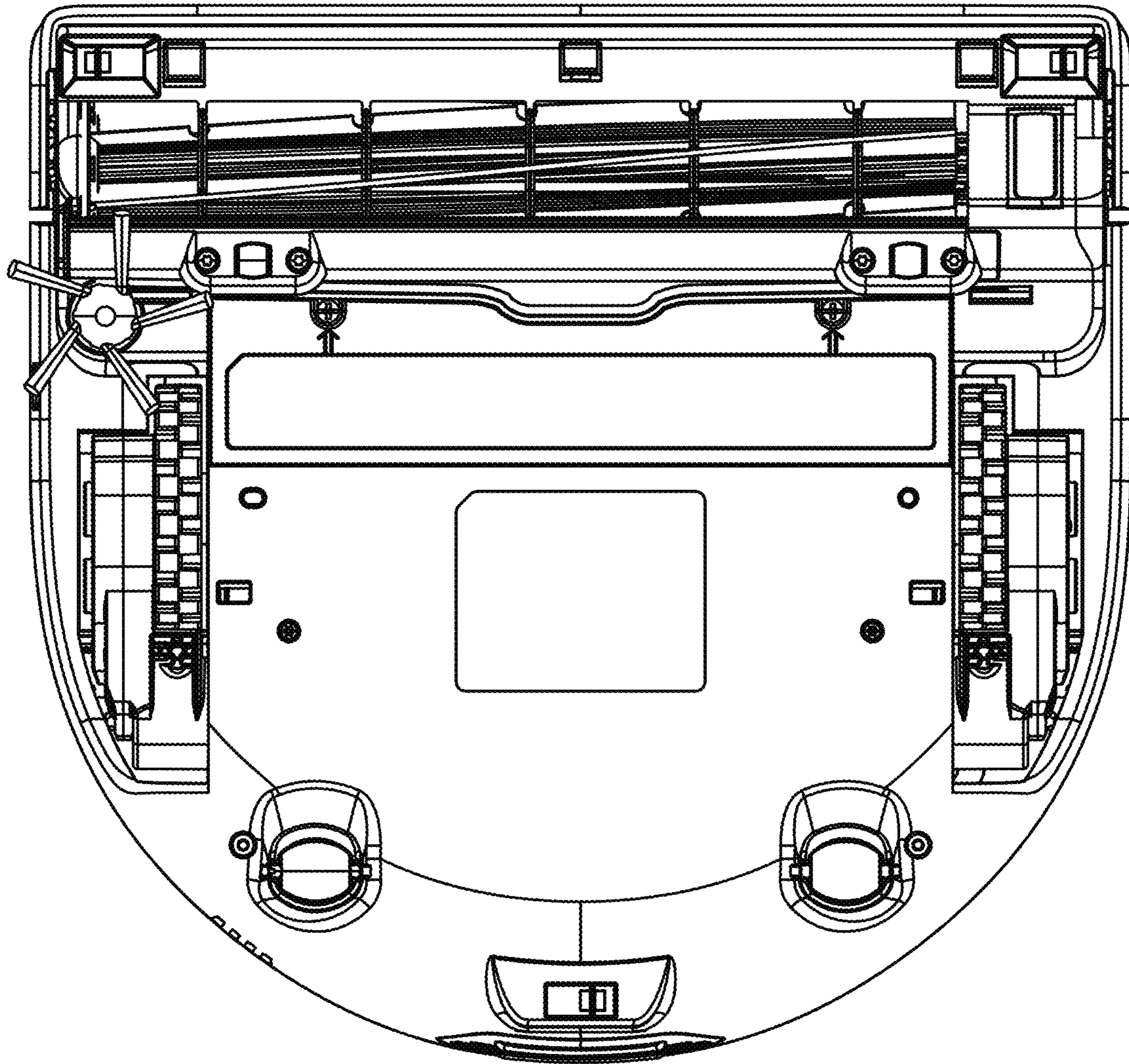


FIG. 14



UNITED STATES PATENT AND TRADEMARK OFFICE  
**CERTIFICATE OF CORRECTION**

PATENT NO. : D989,426 S  
APPLICATION NO. : 29/767074  
DATED : June 13, 2023  
INVENTOR(S) : Jan Delfs and Felix Thies

Page 1 of 1

It is certified that error appears in the above-identified patent and that said Letters Patent is hereby corrected as shown below:

On the Title Page

After item (22), Column 1, item (30) Foreign Application Priority Data should be added, and under it should include:

--Oct. 15, 2020 (EM) ..... 008204408  
Jul. 23, 2020 (DE) ..... 402020100690--

Signed and Sealed this  
Twelfth Day of September, 2023  
*Katherine Kelly Vidal*

Katherine Kelly Vidal  
*Director of the United States Patent and Trademark Office*