



US00D989424S

(12) **United States Design Patent**  
**Bisson et al.**

(10) **Patent No.:** **US D989,424 S**  
(45) **Date of Patent:** **\*\* Jun. 13, 2023**

(54) **UPRIGHT FLOOR SCRUBBER**  
(71) Applicant: **Karma 360, Inc.**, Huntington Beach,  
CA (US)

D212,246 S \* 9/1968 Schowalter ..... D32/19  
D219,348 S \* 12/1970 Anderson ..... D32/15  
D317,667 S 6/1991 Bolser et al.  
(Continued)

(72) Inventors: **Montgomery Bisson**, Huntington  
Beach, CA (US); **Michael Schaffer**,  
Huntington Beach, CA (US); **Jesus J.  
Peña**, Yorba Linda, CA (US)

FOREIGN PATENT DOCUMENTS

EP 3597093 A1 1/2020  
JP D1739008 \* 3/2023  
(Continued)

(73) Assignee: **KARMA 360, INC.**, Huntington Beach,  
CA (US)

OTHER PUBLICATIONS

(\*\*) Term: **15 Years**

Karma Video ProRes Final, announced in YouTube on Jun. 7, 2021  
[online], [site visited Apr. 3, 2023], Available from the internet  
URL: <https://www.youtube.com/watch?v=xnUrOn4U3ds> (Year: 2021).\*  
(Continued)

(21) Appl. No.: **29/849,158**

(22) Filed: **Aug. 9, 2022**

**Related U.S. Application Data**

(63) Continuation-in-part of application No. 29/731,163,  
filed on Apr. 13, 2020, now abandoned.

(51) **LOC (14) Cl.** ..... **15-05**

(52) **U.S. Cl.**  
USPC ..... **D32/15; D32/16; D32/19**

(58) **Field of Classification Search**  
USPC .... D32/1, 15-16, 19-20, 25, 31-34, 38, 45,  
D32/49-52; D21/526; D4/102, 137;  
D8/62, 67; D15/199  
CPC ..... A47L 7/0014; A47L 9/2857; A47L 9/04;  
A47L 11/26; A47L 11/28; A47L 11/282;  
A47L 11/305; A47L 11/4005; A47L  
11/4008; A47L 13/146

See application file for complete search history.

(56) **References Cited**

U.S. PATENT DOCUMENTS

D133,224 S \* 7/1942 Vavrik et al. .... D32/19  
D158,912 S \* 6/1950 Swann ..... D32/20  
D166,572 S \* 4/1952 Pond ..... D32/19

*Primary Examiner* — Jennifer Rivard  
*Assistant Examiner* — Jennylou M Binas  
(74) *Attorney, Agent, or Firm* — Rob D. Baker

(57) **CLAIM**

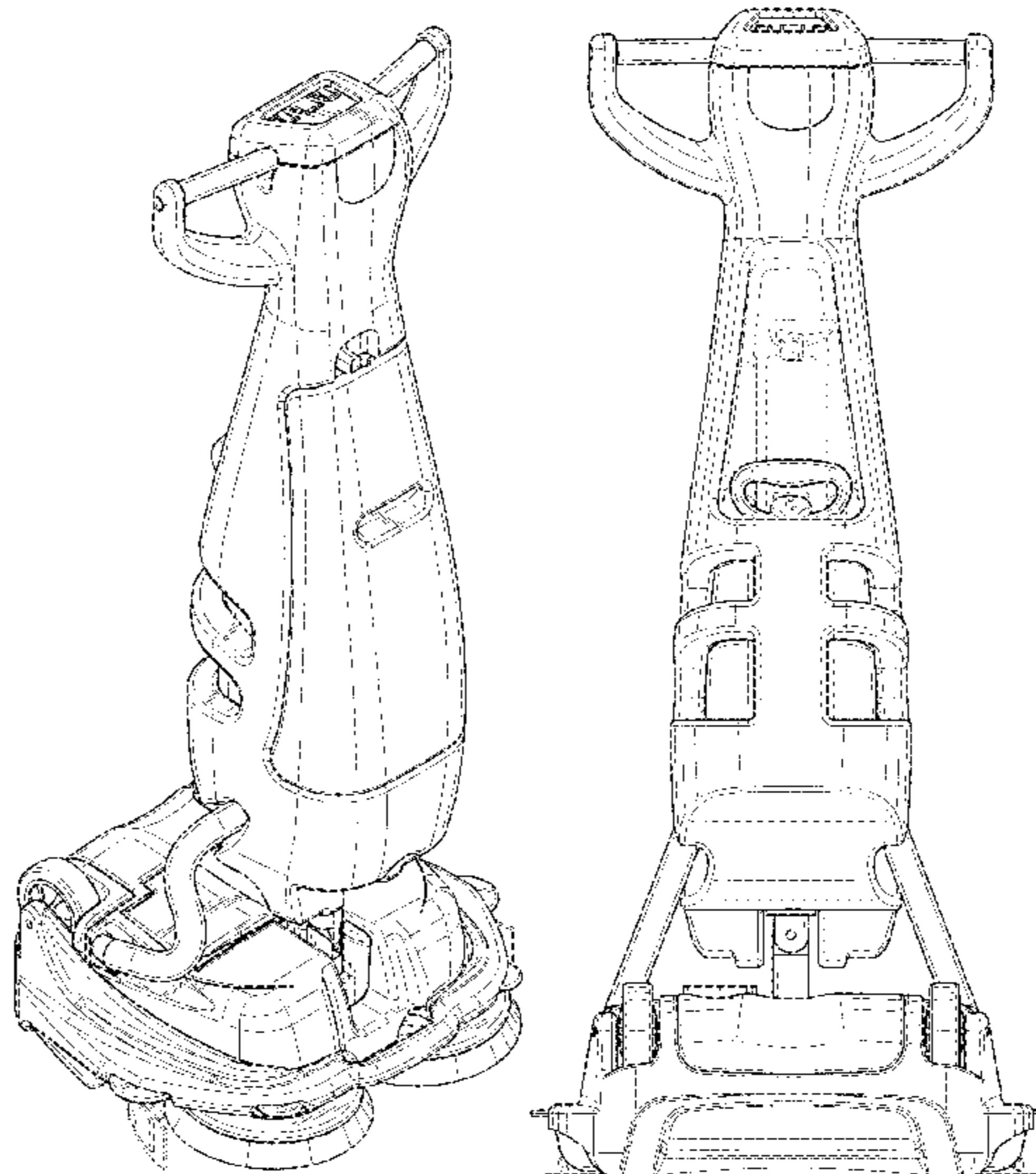
We claim the ornamental design for an upright floor scrubber,  
as shown and described.

**DESCRIPTION**

FIG. 1 is a front perspective view of the upright floor scrubber showing our ornamental design;  
FIG. 2 is a front view thereof;  
FIG. 3 is a right side view thereof;  
FIG. 4 is a rear view thereof;  
FIG. 5 is left side view thereof;  
FIG. 6 is a top view thereof; and,  
FIG. 7 is a bottom view thereof.

The dashed broken lines show portions of the upright floor scrubber that form no part of the claimed design. The dot-dash broken lines in FIG. 7, show boundaries of the upright floor scrubber that form no part of the claimed design.

**1 Claim, 6 Drawing Sheets**



(56)

References Cited

U.S. PATENT DOCUMENTS

D325,658 S \* 4/1992 Brewin ..... D32/22  
 D388,671 S 1/1998 Suganami  
 D405,567 S \* 2/1999 Kent ..... D32/22  
 D439,380 S \* 3/2001 Medema ..... D32/22  
 D446,894 S 8/2001 Paterson et al.  
 D449,906 S 10/2001 Paterson et al.  
 D449,908 S 10/2001 Paterson et al.  
 D450,411 S 11/2001 Paterson et al.  
 D452,984 S 1/2002 Paterson et al.  
 D456,964 S 5/2002 Alford et al.  
 D469,590 S 1/2003 Alford et al.  
 D473,357 S 4/2003 Stephens  
 D510,647 S 10/2005 Alford et al.  
 D514,759 S 2/2006 Archer  
 D530,471 S 10/2006 Scheifele et al.  
 D544,661 S 6/2007 Santiago  
 D548,910 S 8/2007 Murray  
 D551,404 S 9/2007 Scheifele et al.  
 D558,943 S 1/2008 Labarbera  
 D583,118 S 12/2008 Snyder  
 D598,169 S 8/2009 Benacquisto et al.  
 D598,615 S 8/2009 Benacquisto et al.  
 D598,617 S 8/2009 Santiago  
 D598,620 S 8/2009 Benacquisto et al.  
 D651,777 S 1/2012 Dammkoehler  
 D660,533 S 5/2012 Hill et al.  
 D661,036 S 5/2012 Raven  
 D667,183 S 9/2012 Benacquisto  
 D671,283 S 11/2012 Paterson  
 D673,748 S 1/2013 Snyder et al.  
 D693,976 S 11/2013 Wu et al.  
 D694,480 S \* 11/2013 Thomas ..... D32/15  
 D700,757 S 3/2014 Hill et al.  
 D740,503 S 10/2015 Tyler

D750,856 S 3/2016 De Smedt  
 D761,505 S 7/2016 Tyler et al.  
 D764,128 S 8/2016 Kindler  
 D764,129 S 8/2016 Kindler  
 D765,331 S 8/2016 Chei et al.  
 D765,332 S 8/2016 Niedzwecki et al.  
 D766,527 S 9/2016 Niedzwecki et al.  
 D774,260 S 12/2016 Manning  
 D785,265 S 4/2017 Palladino et al.  
 D789,004 S 6/2017 Boehler et al.  
 D818,233 S 5/2018 Palladino et al.  
 D825,120 S 8/2018 Daniels et al.  
 D831,908 S 10/2018 Tyler et al.  
 D855,907 S \* 8/2019 van de Ven ..... D32/15  
 D856,614 S 8/2019 Daniels et al.  
 D869,793 S 12/2019 Casini  
 D876,036 S 2/2020 Irfan  
 D876,037 S 2/2020 McRorie et al.  
 D877,430 S 3/2020 Hooley et al.  
 D882,893 S 4/2020 Hooley et al.  
 D895,387 S 9/2020 Wyser  
 D962,574 S \* 8/2022 Khubani ..... D32/50  
 2019/0343357 A1 11/2019 Franke

FOREIGN PATENT DOCUMENTS

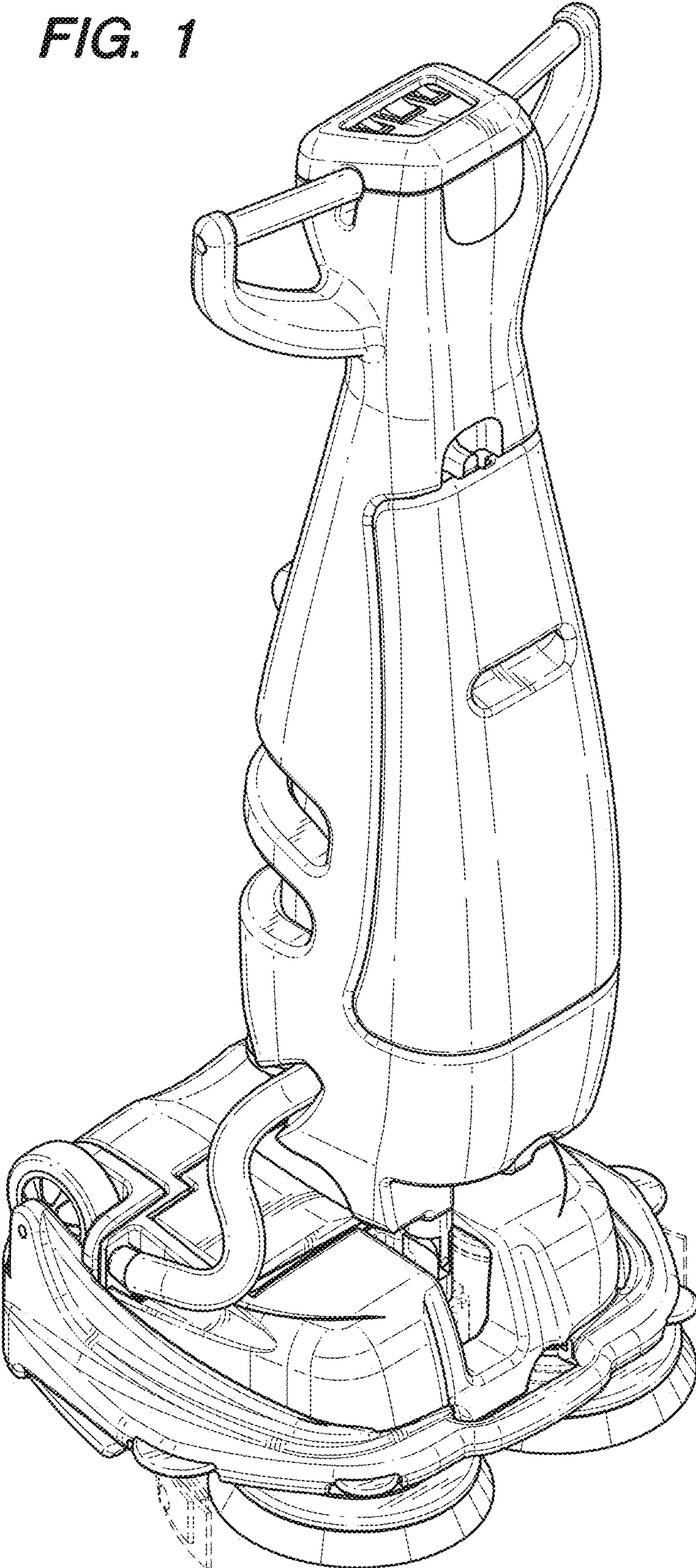
WO 2019219580 A1 11/2019  
 WO 2019219582 A1 11/2019

OTHER PUBLICATIONS

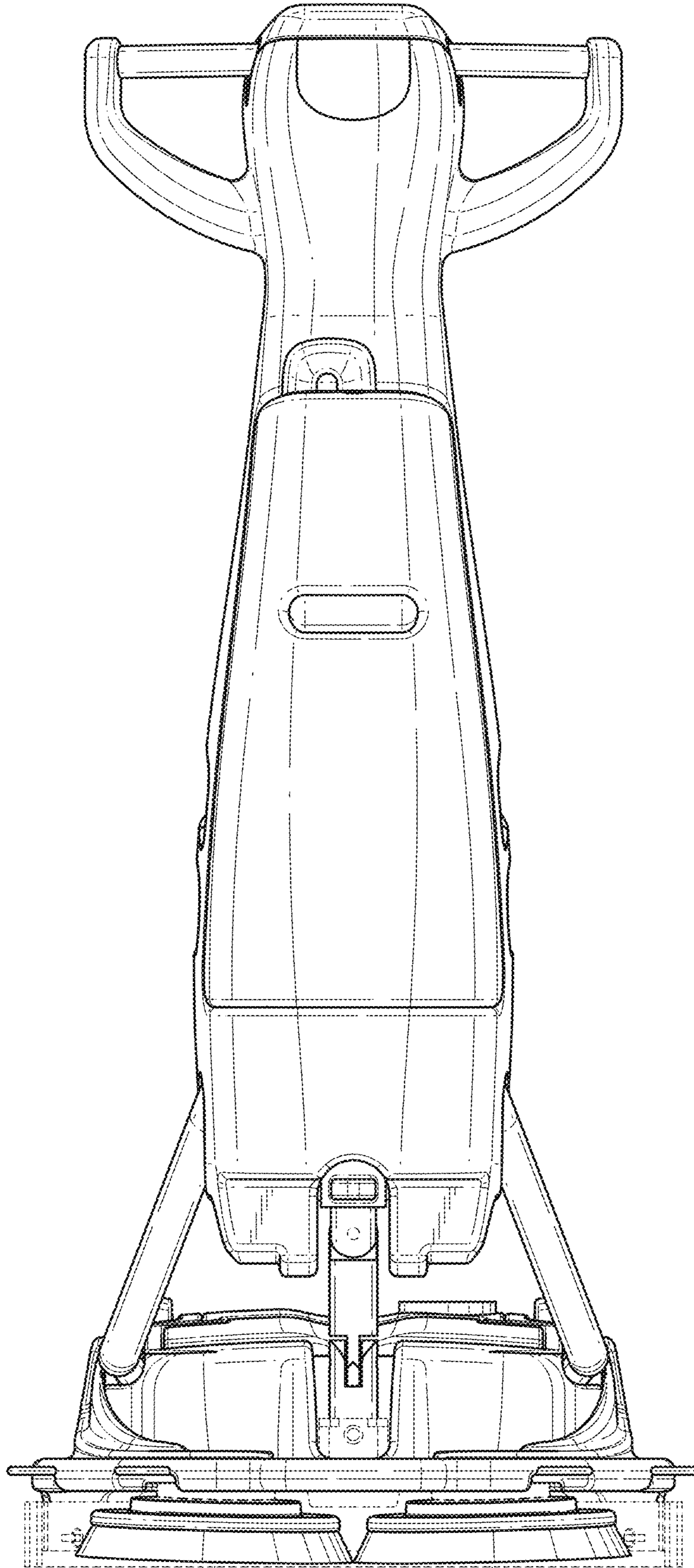
The i-Mop XL Scrubber dryer, announced in YouTube on Jan. 8, 2019 [online], [site visited Apr. 3, 2023], Available from the internet URL: <https://www.youtube.com/watch?v=Pi2YdvFlx84> (Year: 2019).\*

\* cited by examiner

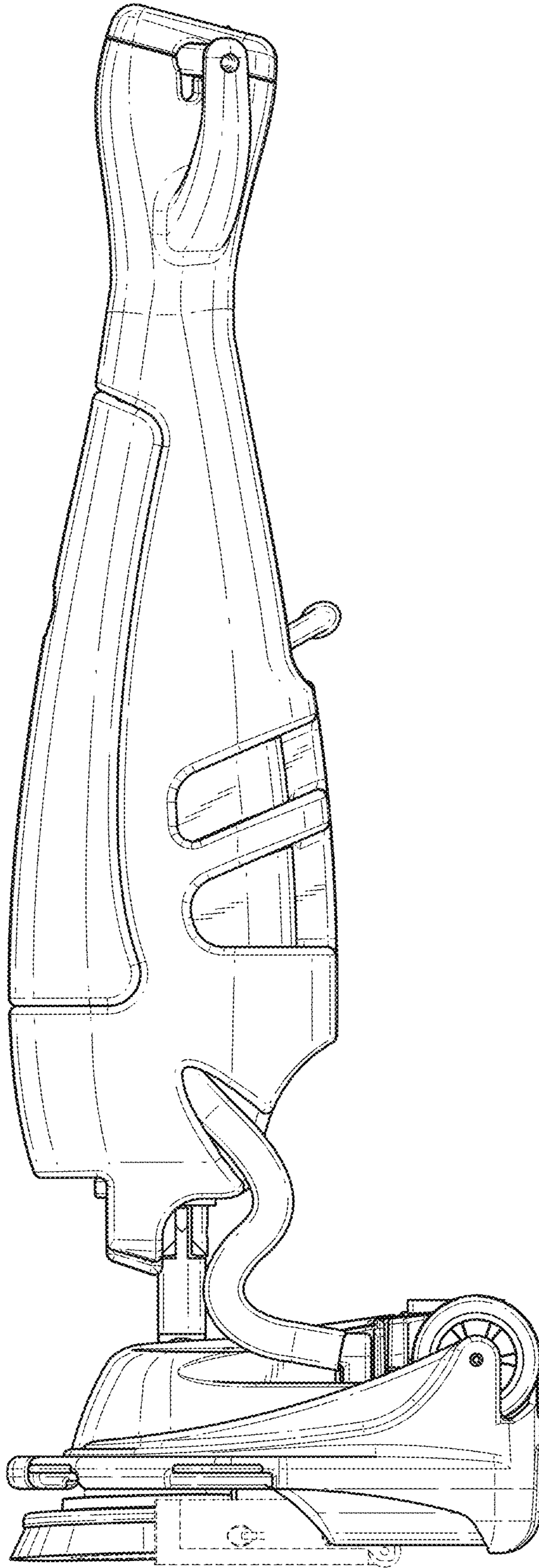
**FIG. 1**



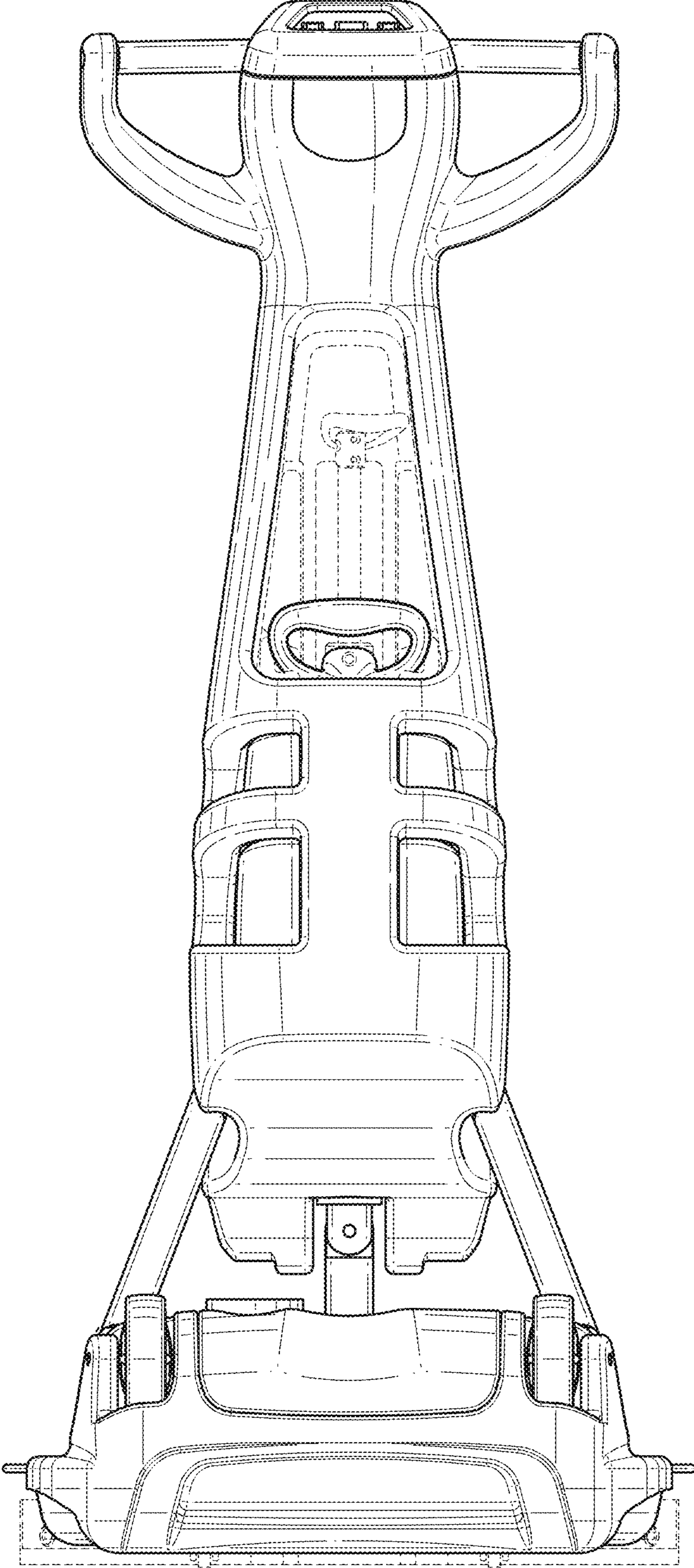
*FIG. 2*



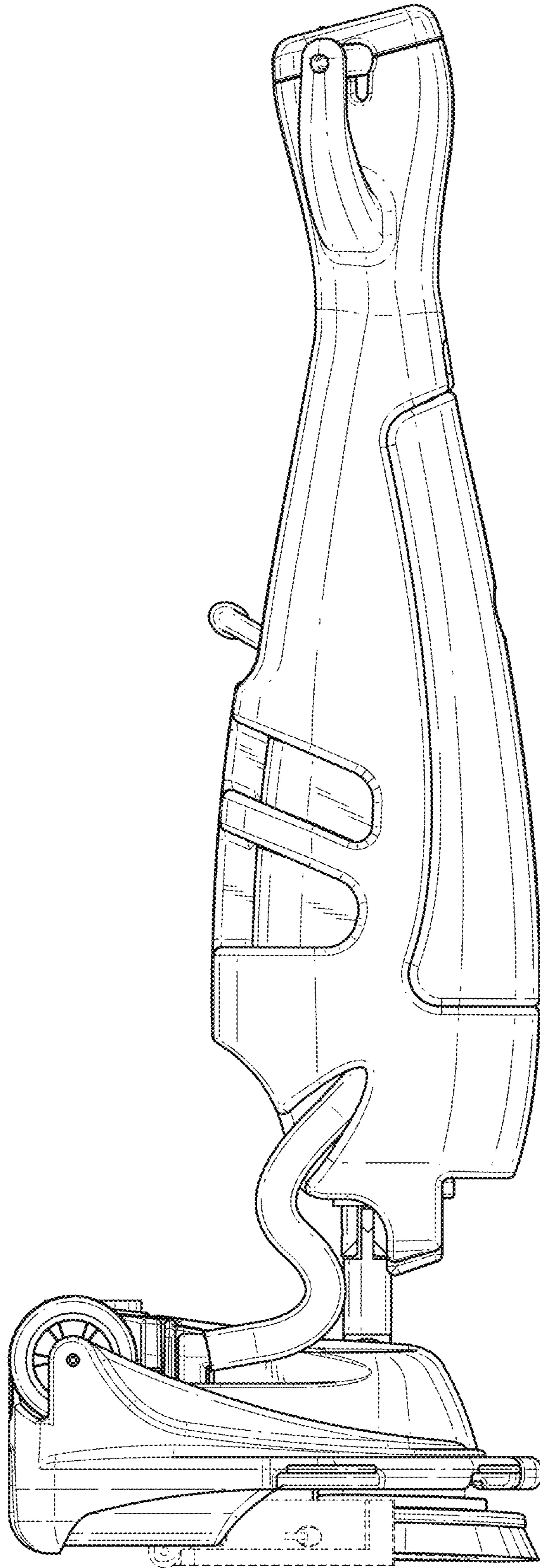
**FIG. 3**



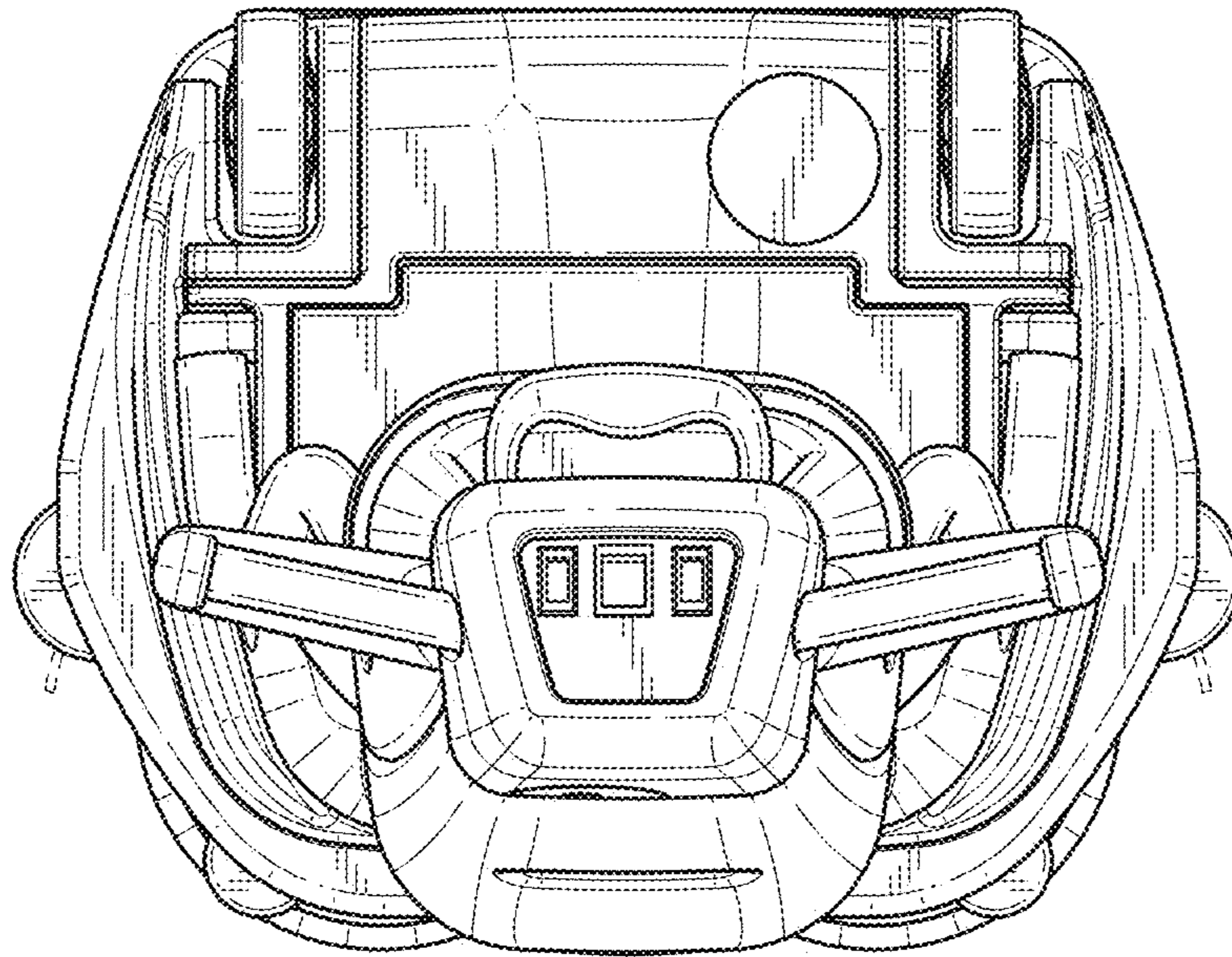
**FIG. 4**



**FIG. 5**



**FIG. 6**



**FIG. 7**

