



US00D989423S

(12) **United States Design Patent** (10) **Patent No.:** **US D989,423 S**
Geou (45) **Date of Patent:** **** Jun. 13, 2023**

(54) **TOILET PLUNGER HEAD**

FOREIGN PATENT DOCUMENTS

(71) Applicant: **George Geou**, Australian Capital Territory (AU)

CN 209482414 U * 10/2019
DE 202004013969 U1 * 12/2004 F04B 33/00
WO WO-0011276 A1 * 3/2000 A61K 31/51
WO WO-0106066 A1 * 1/2001 E03C 1/308

(72) Inventor: **George Geou**, Australian Capital Territory (AU)

OTHER PUBLICATIONS

(**) Term: **15 Years**

Master Plunger, posted Aug. 16, 2020 [online], [retrieved Dec. 29, 2022]. Retrieved from internet, https://www.amazon.com/Master-Plunger-MP500-3TB-Bathroom-Equipped/dp/B089NJ46D3/ref=sr_1_29?crid=1T98ZPCMA7NI&keywords=plunger+head&qid=1672315312&sprefix=plunger+head%2Caps%2C121&sr=8-29 (Year: 2020).*

(21) Appl. No.: **29/809,436**

Master Plunger Funnel Nose, posted Jun. 15, 2006 [online], [retrieved Dec. 29, 2022]. Retrieved from internet, https://www.amazon.com/dp/B000BQLR1Y/ref=sspa_dk_detail_3?psc=1&pd_rd_i=B000BQLR1Y&pd_rd_w=pxuBU&content-id=amzn1.sym.4d0ffec-3aba-4480-8fad-c6bd8f7f6b41&pf_rd_p=4d0ffec-3aba-4480-8fad-c6bd8f7f6b41&pf (Year: 2006).*

(22) Filed: **Sep. 28, 2021**

(51) **LOC (14) Cl.** **15-05**

(52) **U.S. Cl.**
USPC **D32/14**

(58) **Field of Classification Search**
USPC D32/14, 1, 25, 31-33, 34, 35, 39;
D8/107, 160; D24/129, 133, 187;
D23/223, 224, 259-266
CPC . E03D 9/00; B08B 9/035; E03C 1/308; F04B
33/00; F04B 9/14

See application file for complete search history.

* cited by examiner

Primary Examiner — Khawaja Anwar
Assistant Examiner — Taylor O Mortorff

(56) **References Cited**

U.S. PATENT DOCUMENTS

(57) **CLAIM**

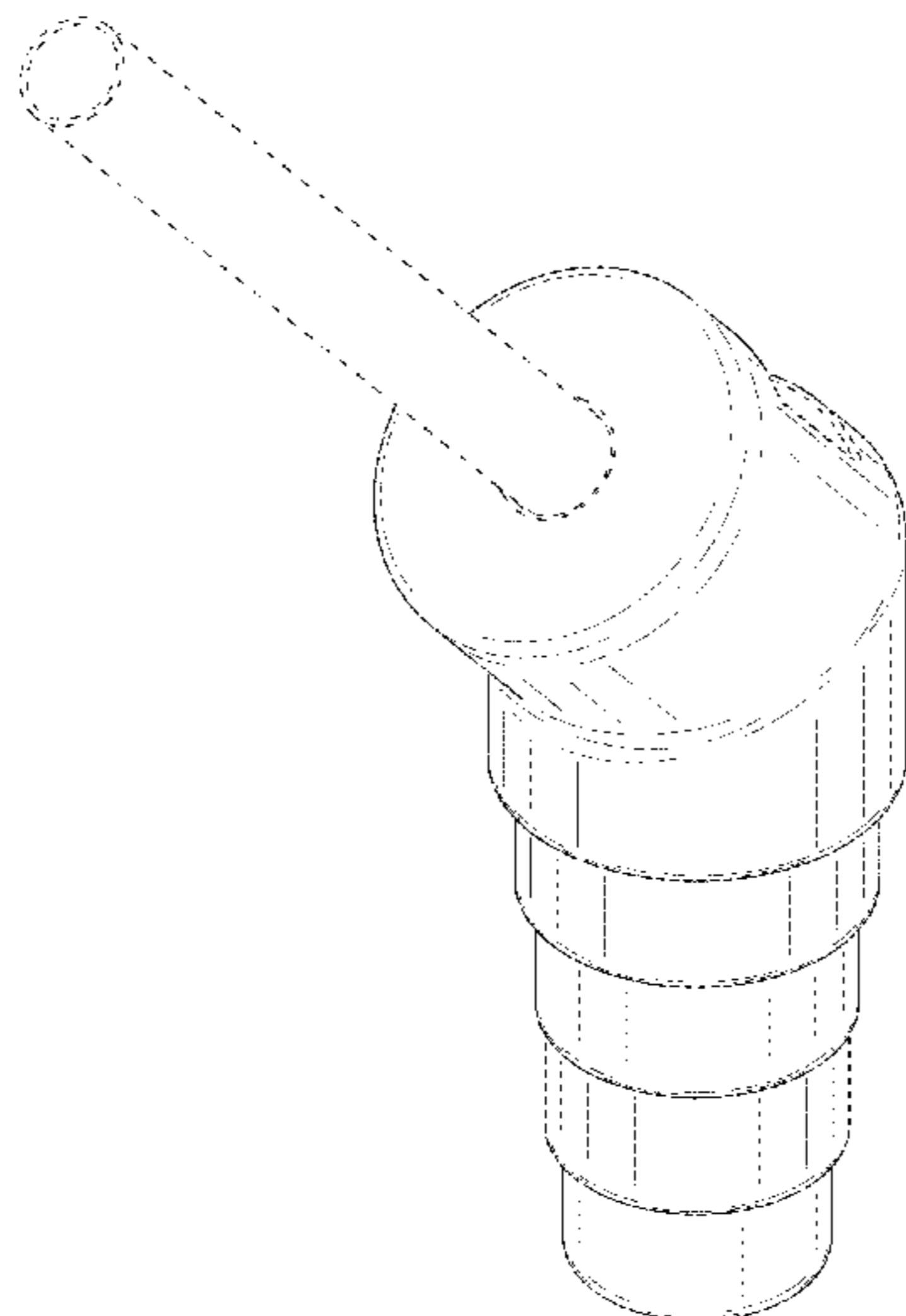
The ornamental design for a toilet plunger head, as shown and described.

D227,887 S * 7/1973 Cosson D23/203
4,800,351 A * 1/1989 Rampalli H01Q 13/203
333/237
D300,574 S * 4/1989 Smith D32/31
D313,067 S * 12/1990 Kotake D23/262
D322,696 S * 12/1991 Redwine D22/108
D398,380 S * 9/1998 Bevacco D23/260
D417,534 S * 12/1999 Holston D32/31
D488,270 S * 4/2004 Biere D32/31
D509,333 S * 9/2005 Tash D32/35
D546,946 S * 7/2007 Blake D24/129
D563,530 S * 3/2008 Moris D23/264
D577,117 S * 9/2008 Biener D24/129
D654,166 S * 2/2012 Lair D24/129
D779,640 S * 2/2017 Vaz D23/262
D805,193 S * 12/2017 Shoji D24/129
D930,122 S * 9/2021 Caldwell D23/262
2004/0025235 A1 * 2/2004 Tash E03C 1/302
4/255.01

DESCRIPTION

FIG. 1 is a right, top perspective view of a toilet plunger head, showing my new design;
FIG. 2 is a front elevational view thereof;
FIG. 3 is a rear elevational view thereof;
FIG. 4 is a right side elevational view thereof;
FIG. 5 is a left side elevational view thereof;
FIG. 6 is a top perspective view thereof; and,
FIG. 7 is a bottom perspective view thereof.
In the drawings, the portions of the article shown in broken lines do not form any part of the claimed design.

1 Claim, 7 Drawing Sheets



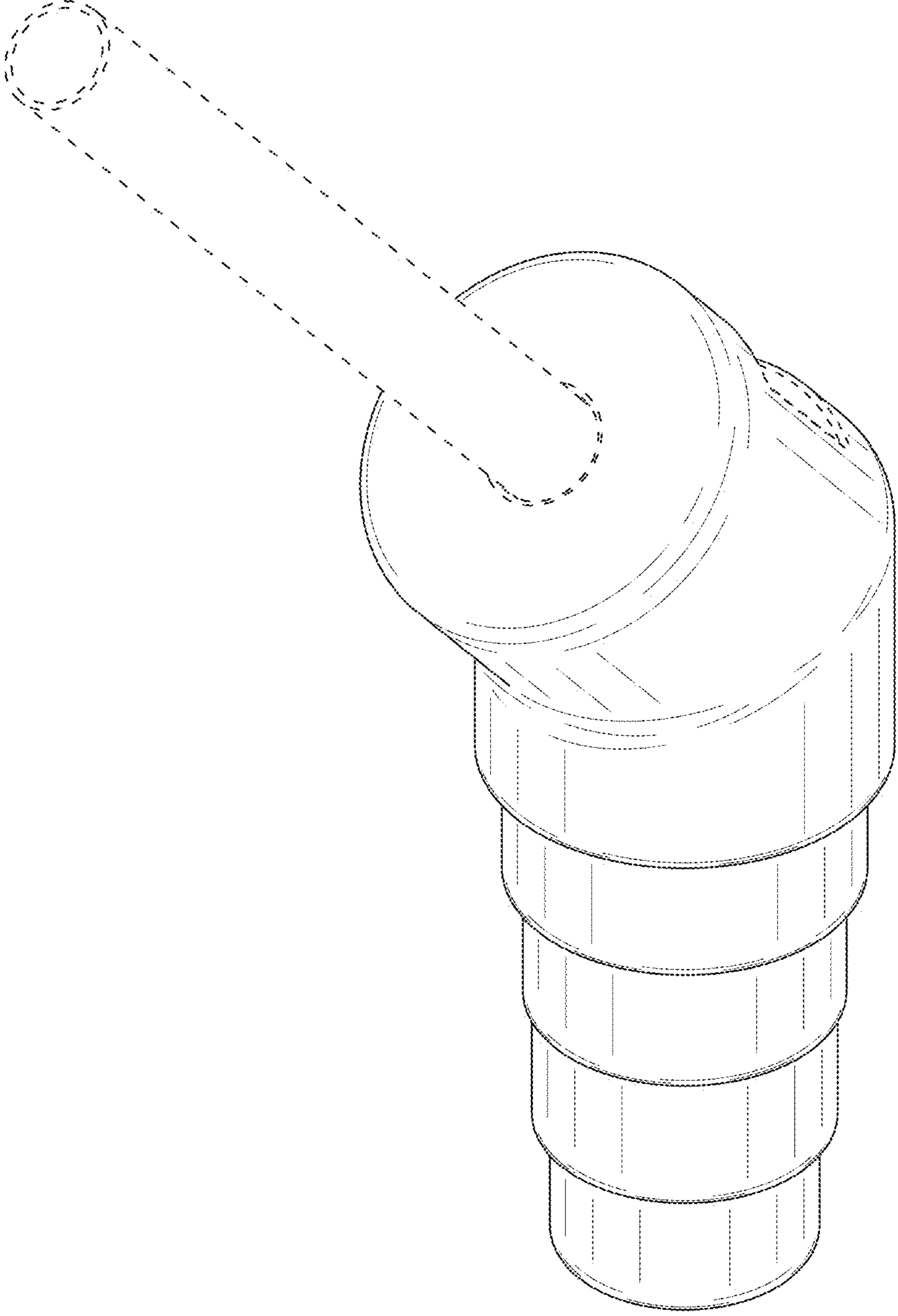


FIG. 1

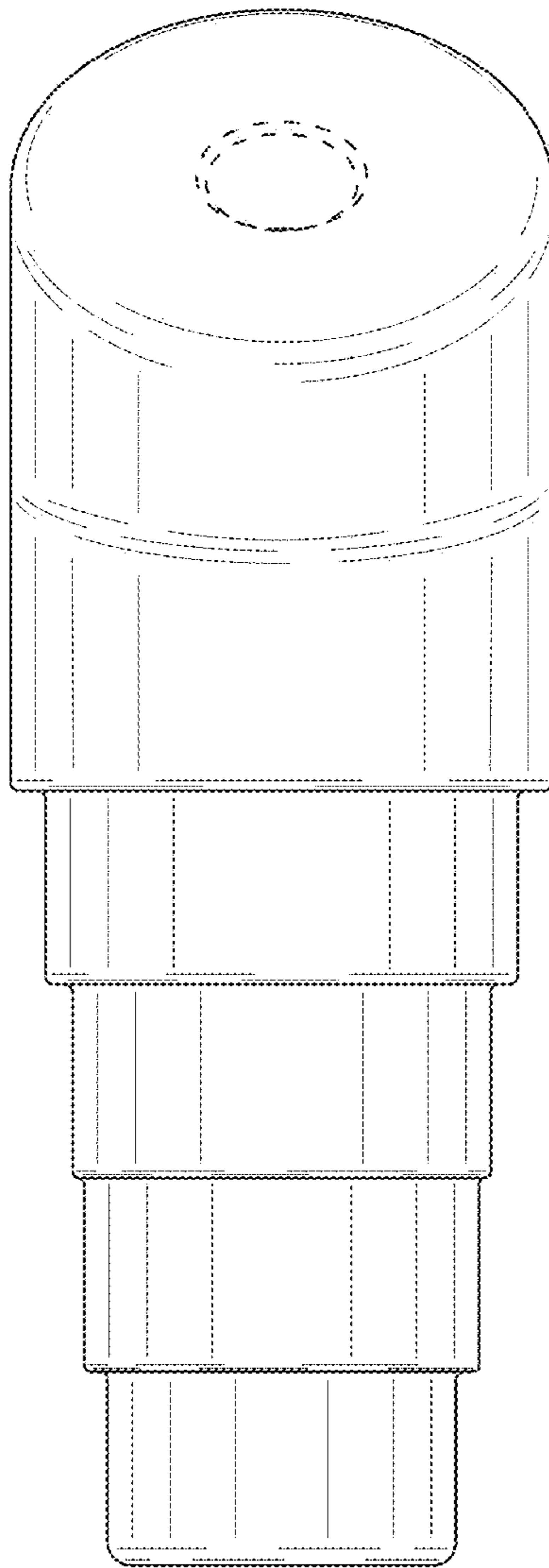


FIG. 2

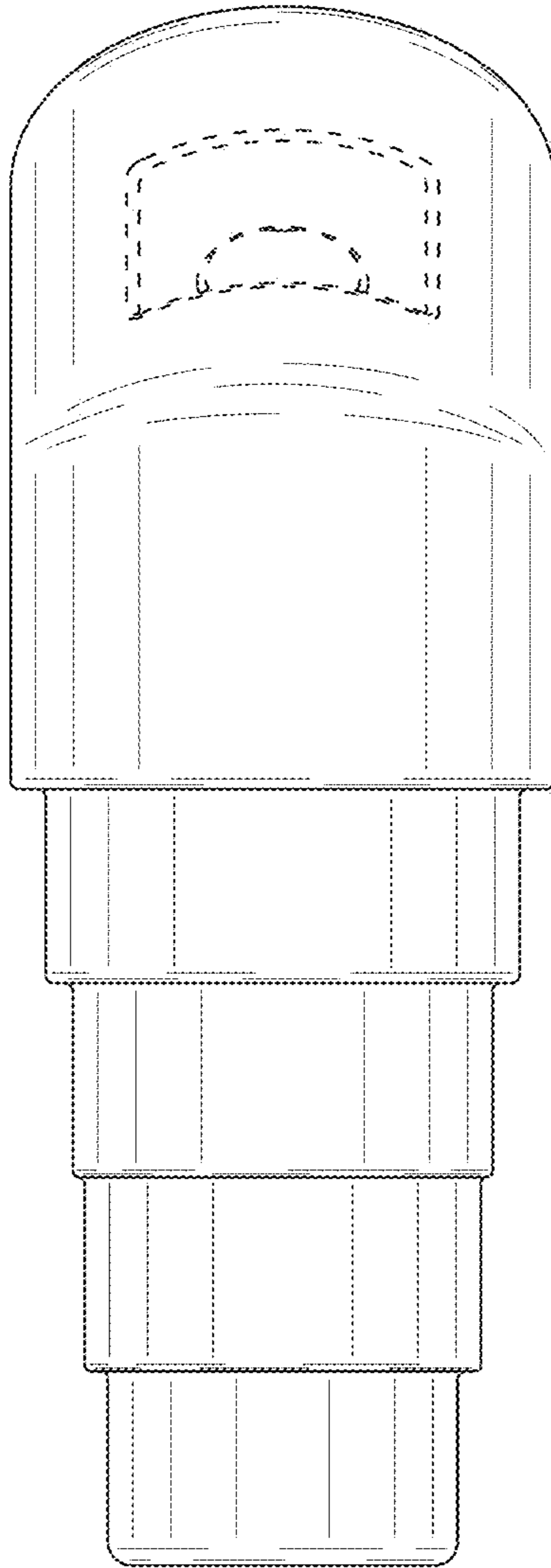


FIG. 3

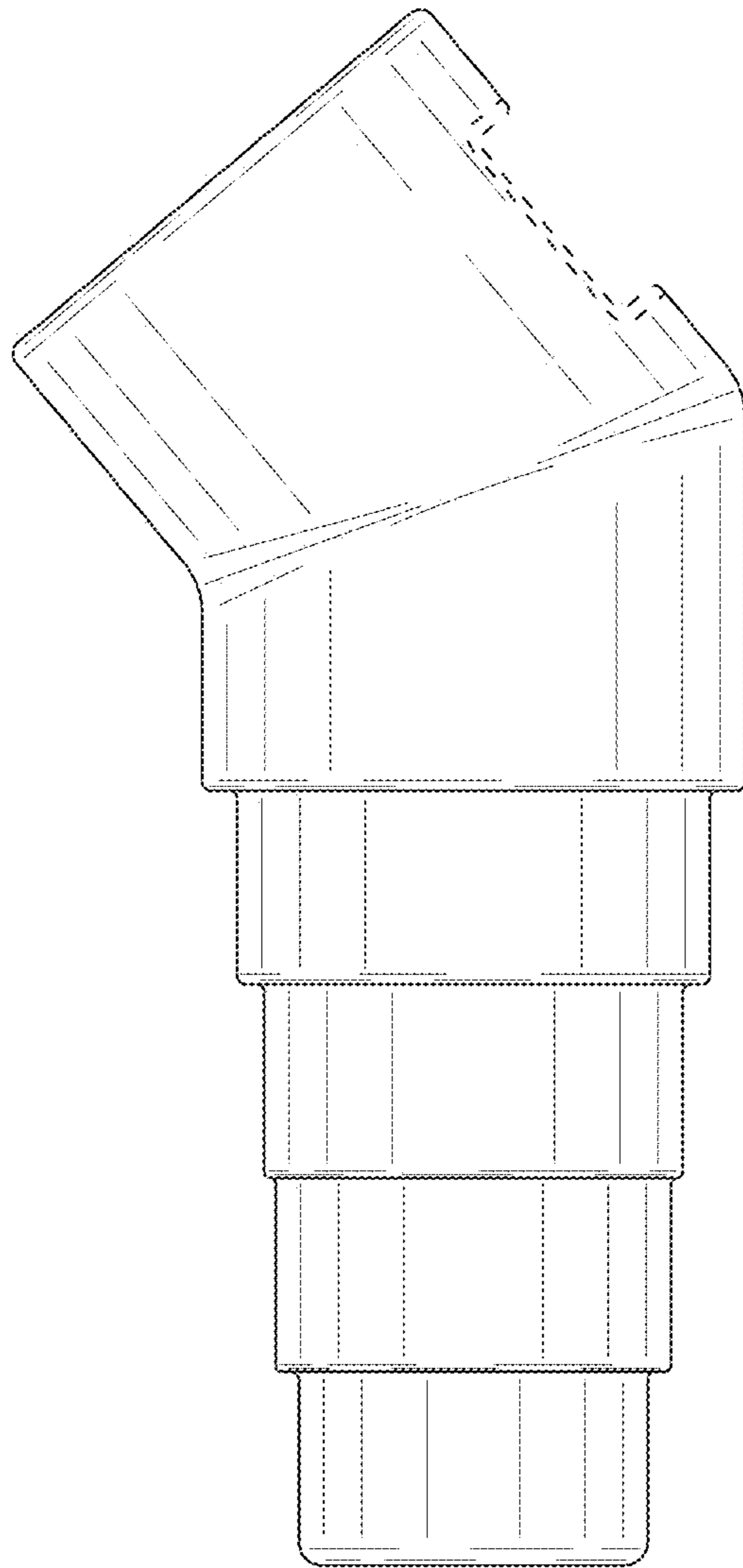


FIG. 4

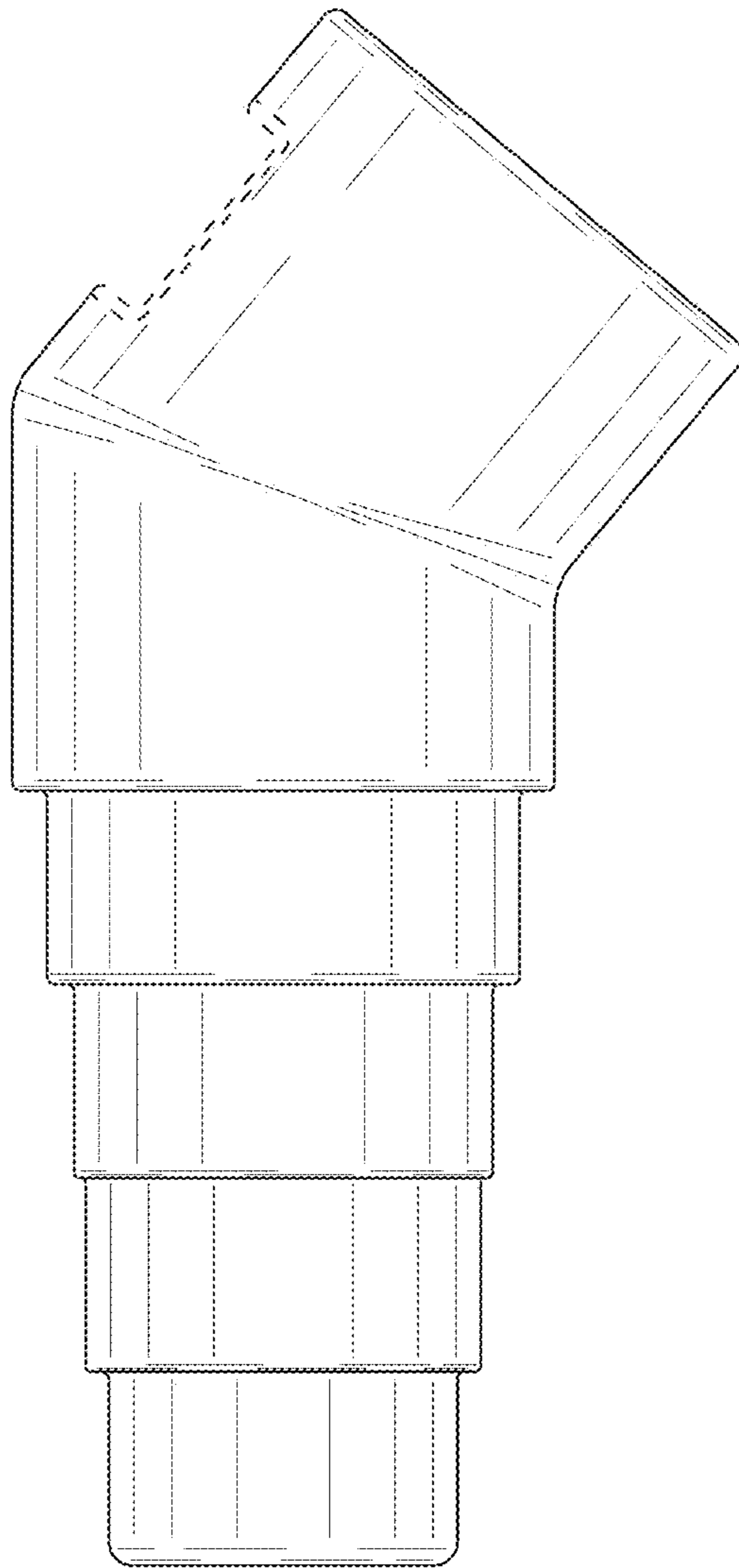


FIG. 5

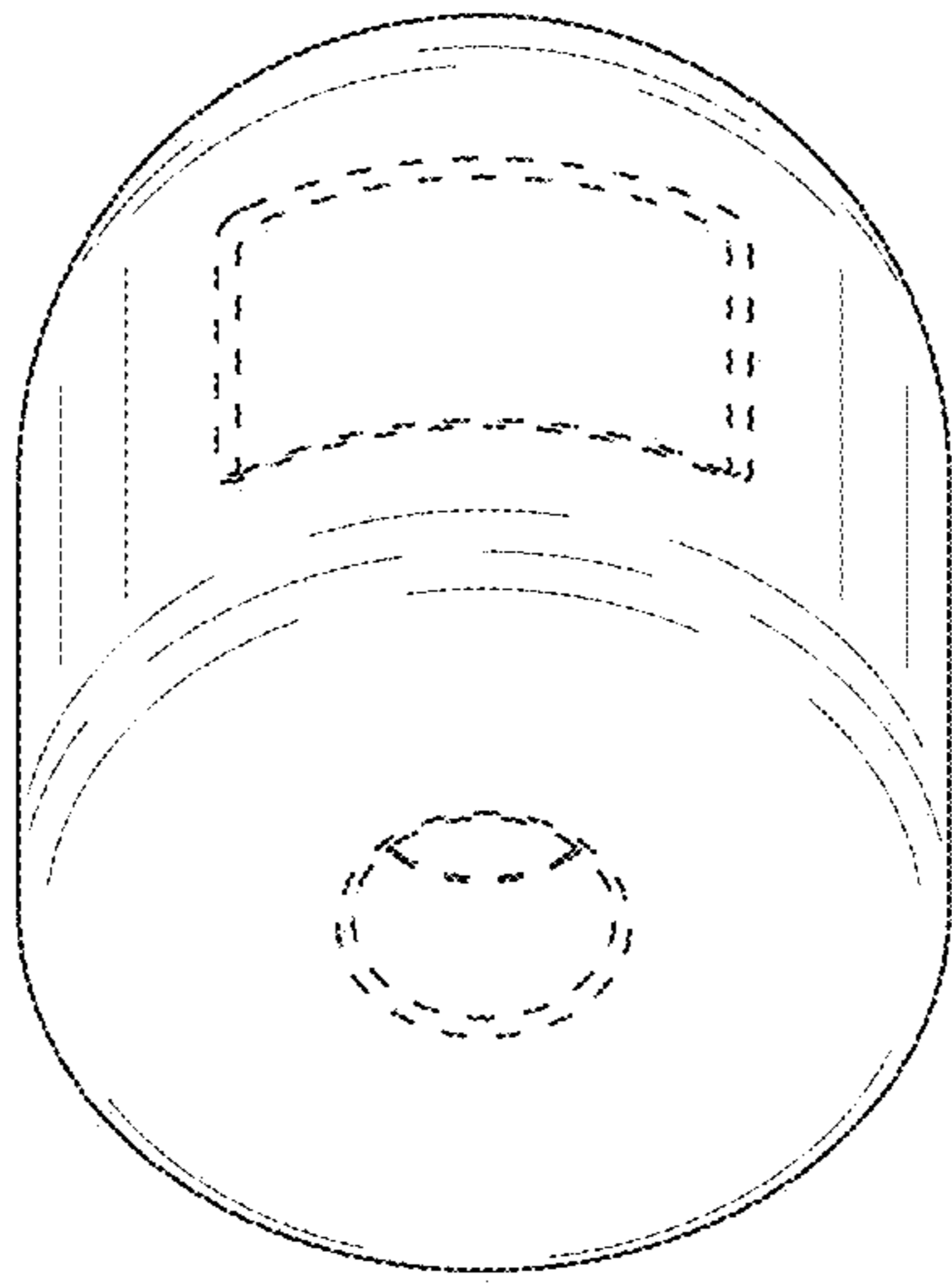


FIG. 6

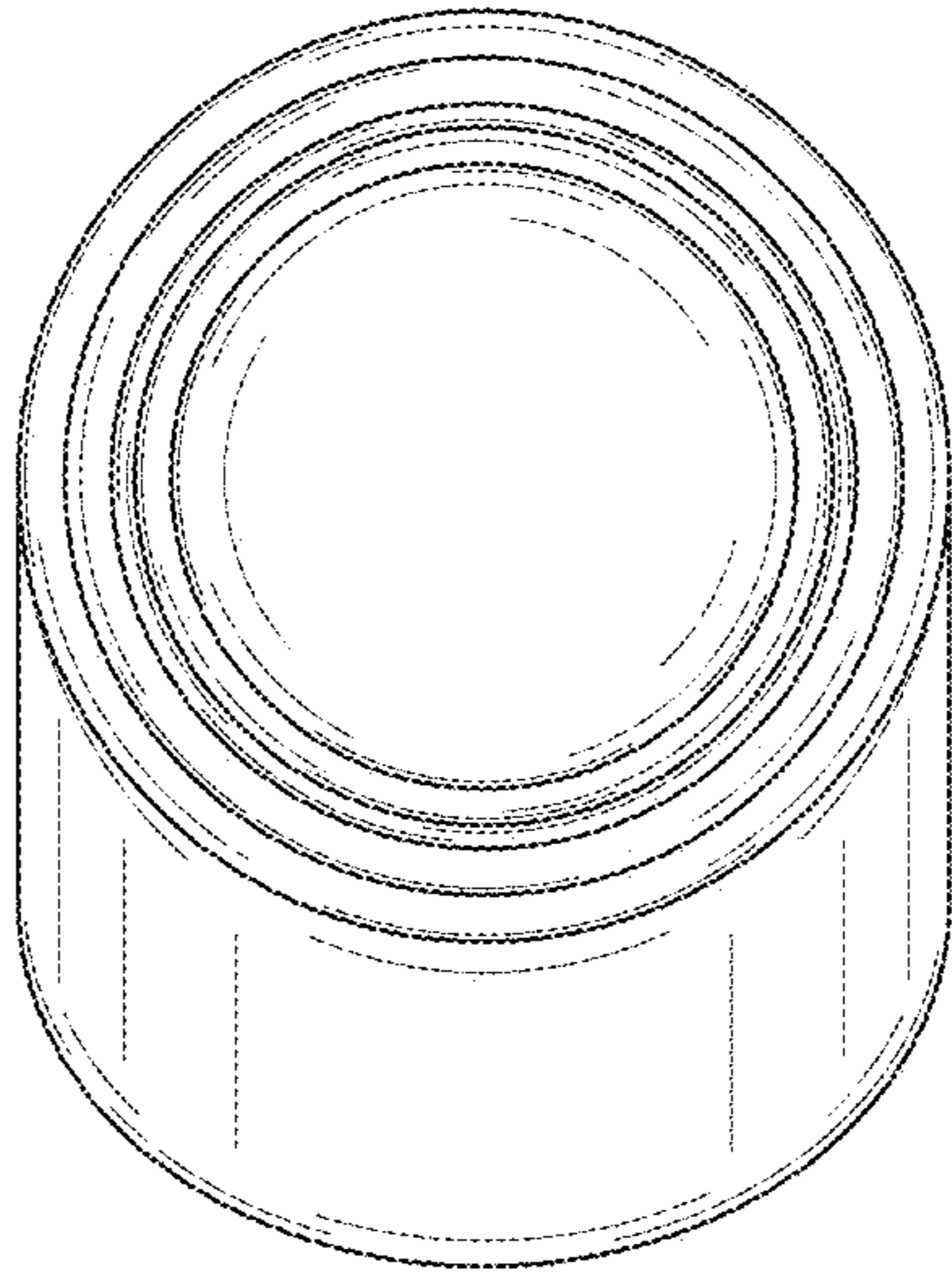


FIG. 7