



US00D989421S

(12) **United States Design Patent** (10) **Patent No.:** **US D989,421 S**
Tu (45) **Date of Patent:** **** Jun. 13, 2023**

(54) **PET TRAINING REMOTE CONTROLLER**

(71) Applicant: **Zhushi Tu**, Xiaogan (CN)

(72) Inventor: **Zhushi Tu**, Xiaogan (CN)

(**) Term: **15 Years**

(21) Appl. No.: **29/791,323**

(22) Filed: **Jan. 8, 2022**

(51) **LOC (14) Cl.** **30-99**

(52) **U.S. Cl.**
USPC **D30/199; D10/104.1**

(58) **Field of Classification Search**
USPC **D30/151-155, 144, 199, 160;**

119/792-798, 850, 855-859, 863-865,
119/654, 905, 907, 815, 712, 802, 784,
119/769, 760, 776, 862, 908, 860,
119/719-721; 242/381.1-381.2, 385.4,
242/378.3, 376.1, 385.1, 916, 601, 570,
242/405, 404, 371, 223, 170, 388.1,
242/405.2, 377, 381.3, 381.6, 405.3,
242/388.6, 384.7, 382, 396.1, 404.1, 380;
362/108; 33/767, 769, 414; D12/400;
D3/229, 230, 207, 208, 215; 40/1.5, 455,
40/640, 303; 206/63.3, 459.5, 702, 408;
D6/515; D8/358, 360, 347, 360.1, 359,
D8/356, DIG. 1; D24/145, 167, 186, 146,
D24/169; D10/57, 72, 106.1, 104.1,
D10/104.2, 109.2, 70, 97, 98, 78, 65;
D20/28; 224/666, 678; 16/445; 283/74,
283/70; D11/232, 200, 216, 1, 2, 86, 87,
D11/201, 206-210, 212-215, 218;
24/163 K, 122.3, 323, 702, 600.4-600.7,
24/163 R, 169-171, 173, 177-179, 191,
24/194, 195, 197, 200, 303, 616, 635,
24/313, 615, 3, 6, 3 K, 599.2, 96, 221,
24/237, 311, 312, 314, 321, 338, 339,
24/309; 428/3, 4; 54/76, 1, 71; 63/29.1,
63/3; 191/12.2 R, 12.4; D13/154, 153,
D13/137.4, 155, 103, 168; D19/69, 67;
379/438; 446/26; 473/576; D22/140;
174/135; 439/504, 13, 501; D34/33;

188/83, 82.1, 65.1; 254/134.3 FT;
D29/124; D2/627, 624, 633, 625;
132/145, 146, 148; 2/314; 59/79.1;
340/573.3, 573.1, 573, 573.4,
340/539.13-539.19; 343/895;
278/8 AES; 231/7; 361/232; D14/344,
D14/341, 137, 155, 496, 203.5, 203.3,
D14/144, 218, 188, 216, 192;
342/357.51, 357.57, 357.52, 357.55;
455/100, 352, 456.1, 550.1; 315/291
CPC A01K 15/021; A01K 15/02; A01K 15/022;
A01K 15/023; A01K 15/029; A01K
15/04; A01K 15/00; A01K 15/006; A01K
12/022;

(Continued)

(56) **References Cited**

U.S. PATENT DOCUMENTS

D535,973 S * 1/2007 Goetzl D14/155
D685,756 S * 7/2013 Liu D14/155

(Continued)

Primary Examiner — Susan Moon Lee

(74) *Attorney, Agent, or Firm* — Jeenam Park

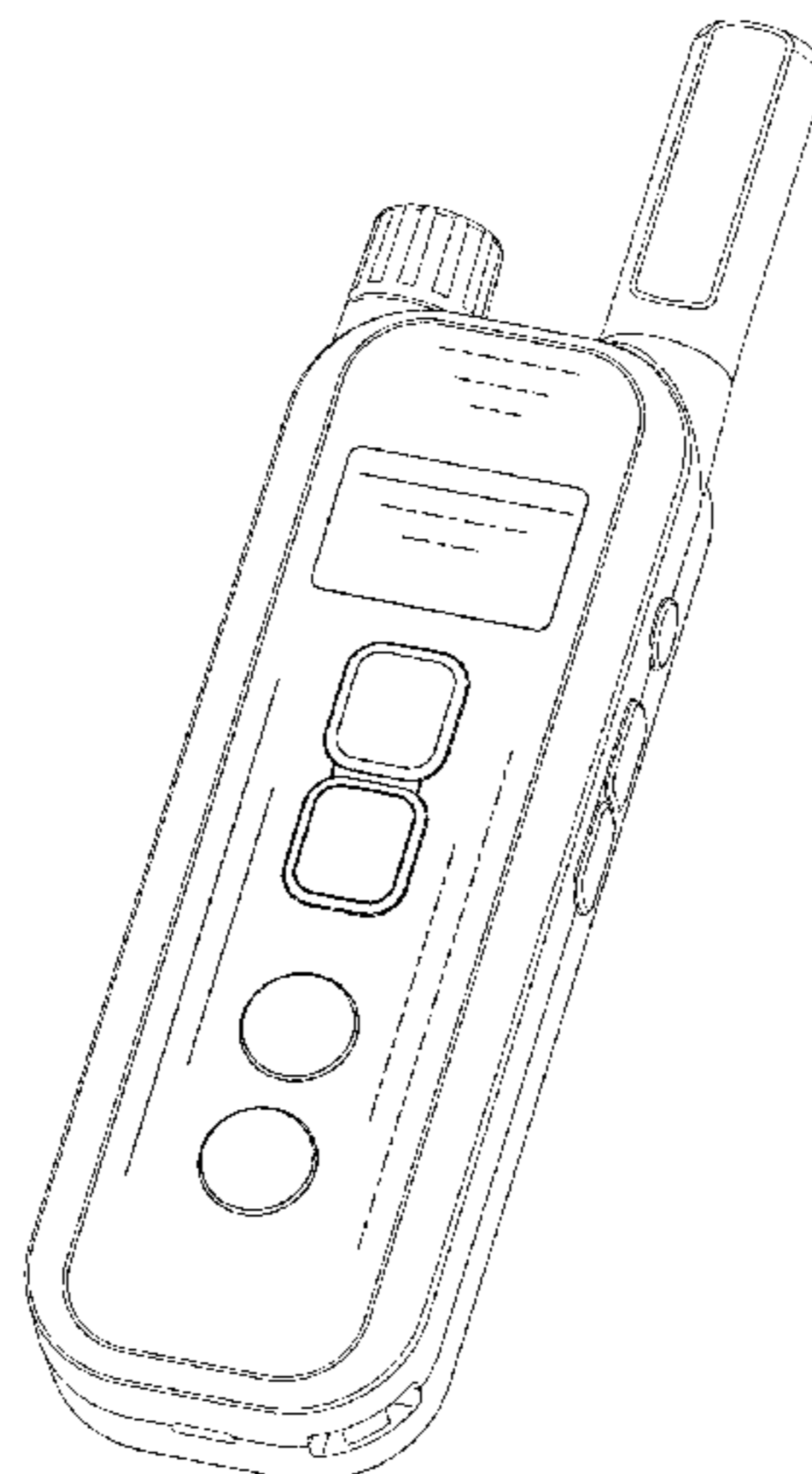
(57) **CLAIM**

The ornamental design for a pet training remote controller, as shown and described.

DESCRIPTION

FIG. 1 is a perspective view of a pet training remote controller, showing my new design;
FIG. 2 is another perspective view thereof;
FIG. 3 is a bottom plan view thereof;
FIG. 4 is a top plan view thereof;
FIG. 5 is a left side view thereof;
FIG. 6 is a right side view thereof;
FIG. 7 is a front view thereof; and,
FIG. 8 is a rear view thereof.

1 Claim, 8 Drawing Sheets



(58) **Field of Classification Search**

CPC ... A01K 27/009; A01K 27/00; A01K 27/001;
A01K 27/006-008; A01K 29/005; A01K
29/00; A61B 5/0002-0028; A61B 5/681;
A61B 5/6822; A61B 5/6824; A61B
5/6829; G01S 5/0294

See application file for complete search history.

(56) **References Cited**

U.S. PATENT DOCUMENTS

D813,473	S	*	3/2018	Ni	D10/104.1
D884,995	S	*	5/2020	Ni	D10/104.1
D935,112	S	*	11/2021	Guo	D10/104.1
D946,218	S	*	3/2022	Xiao	D10/104.1
D950,866	S	*	5/2022	Wen	D10/104.1
D952,967	S	*	5/2022	Li	D10/104.1
D961,864	S	*	8/2022	Mo	D10/104.1
D964,669	S	*	9/2022	Wei	D10/104.1
D968,728	S	*	11/2022	Ye	D10/104.1
D973,979	S	*	12/2022	Zhong	D30/152
D975,385	S	*	1/2023	Wang	D10/104.1
D975,386	S	*	1/2023	Wang	D10/104.1
D977,209	S	*	1/2023	Yang	D10/104.1
D981,661	S	*	3/2023	Song	D10/104.1
2022/0053736	A1	*	2/2022	Xiao	A01K 15/021

* cited by examiner

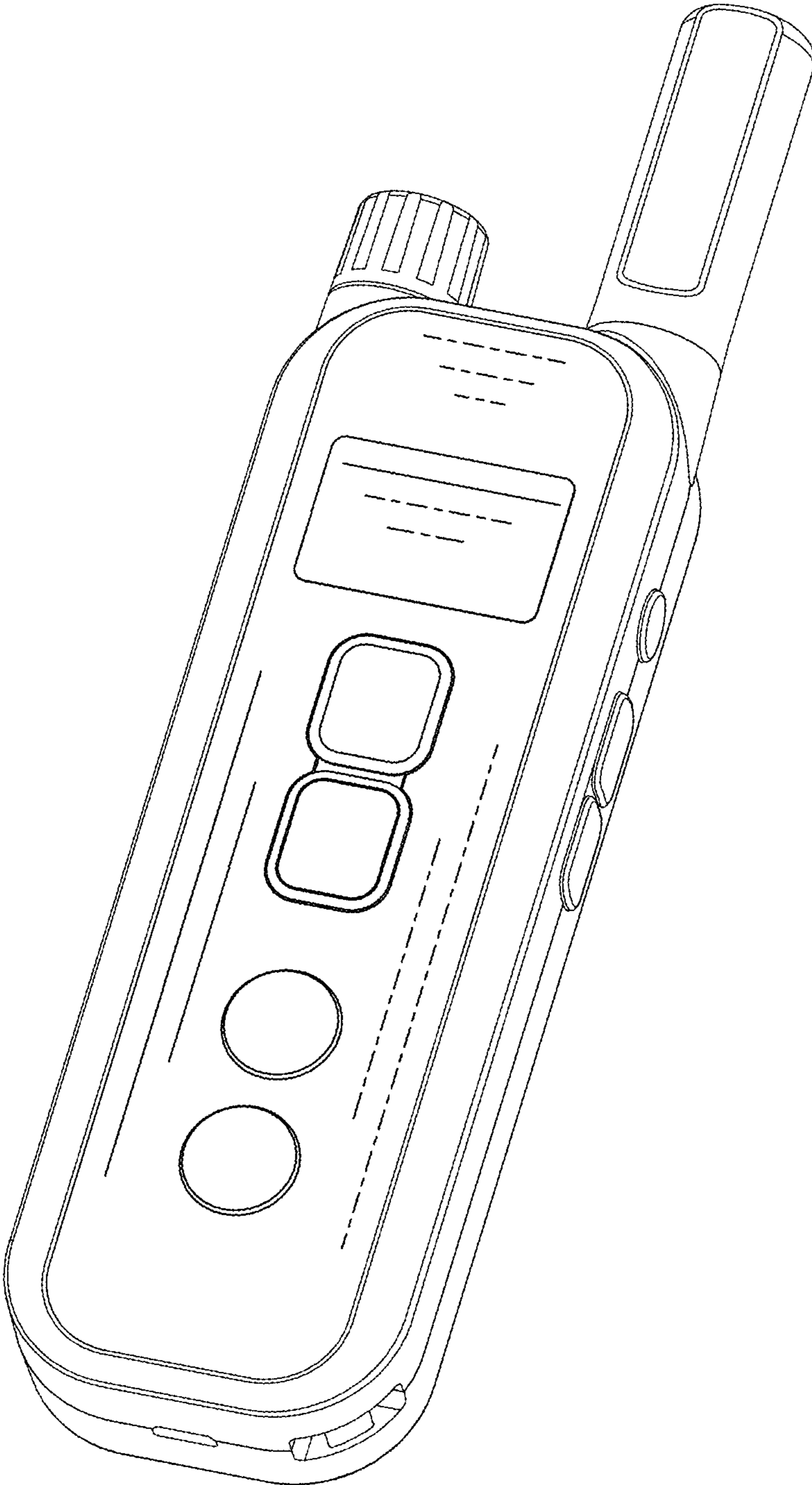


FIG. 1

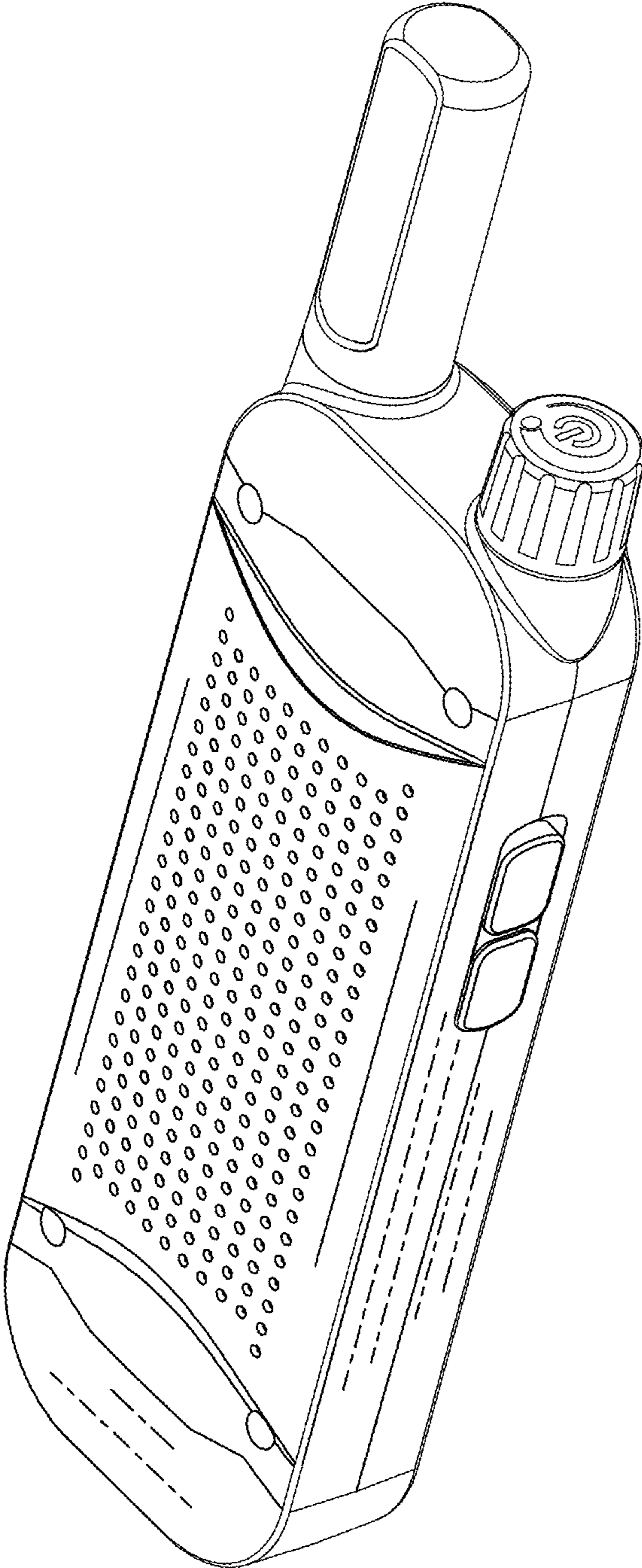


FIG. 2

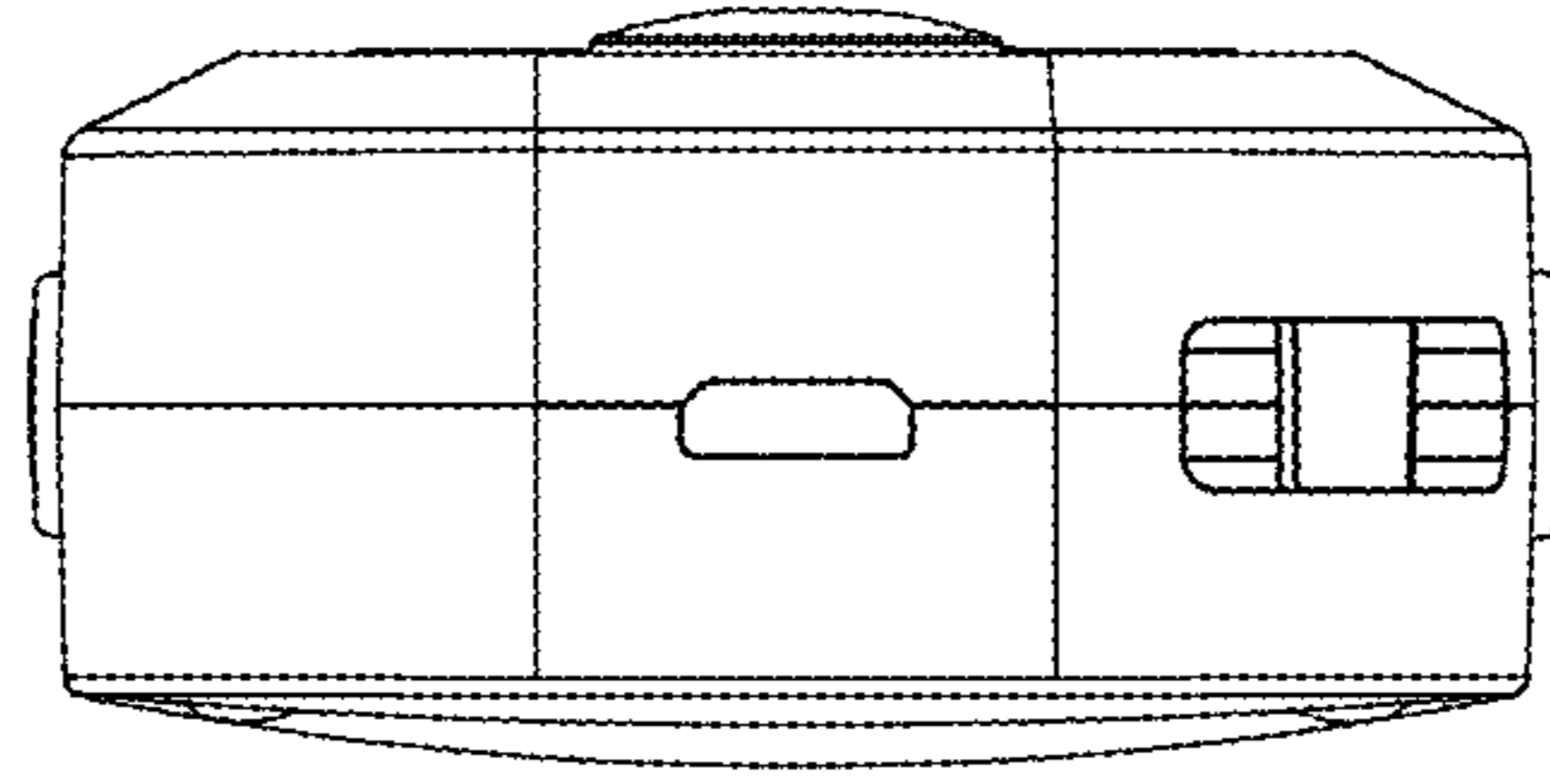


FIG. 3

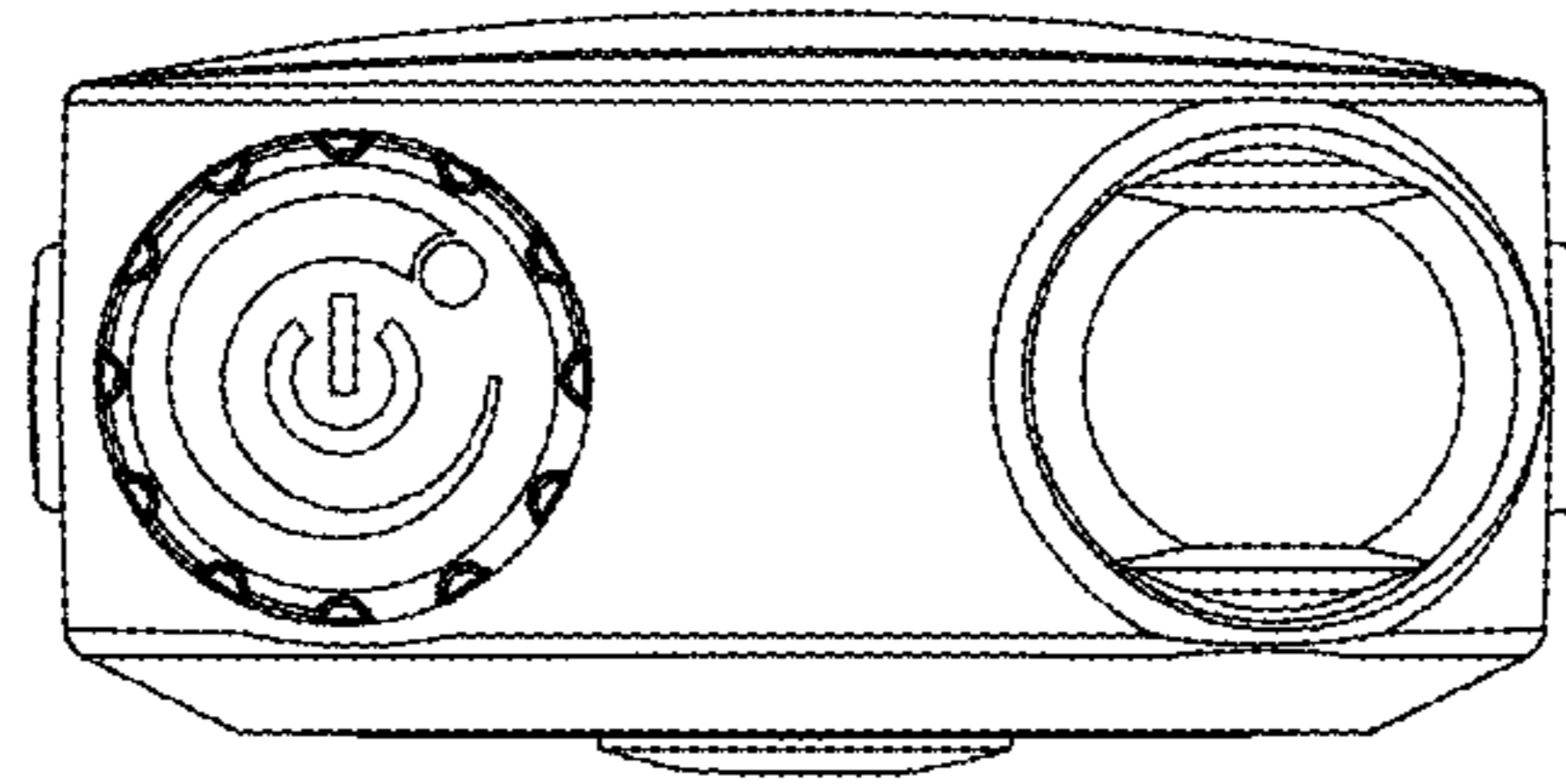


FIG. 4

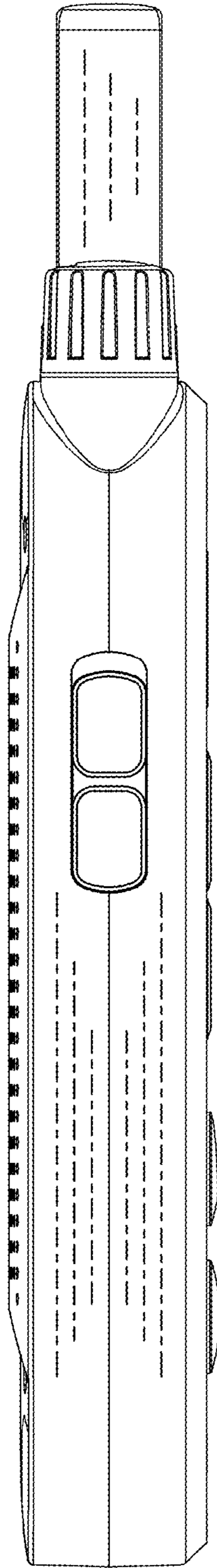


FIG. 5

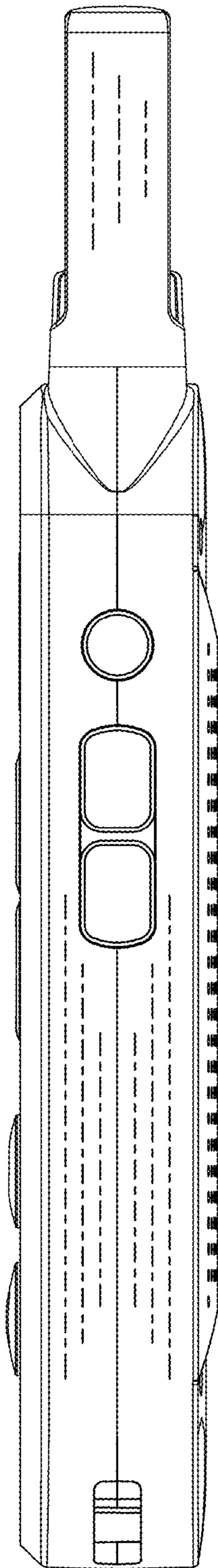


FIG. 6

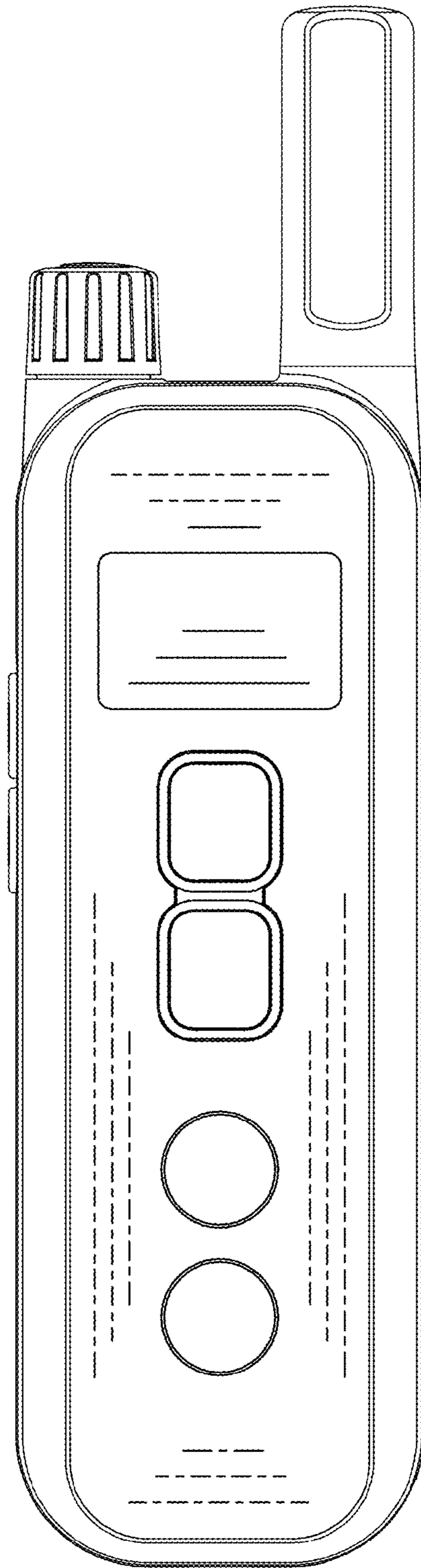


FIG. 7

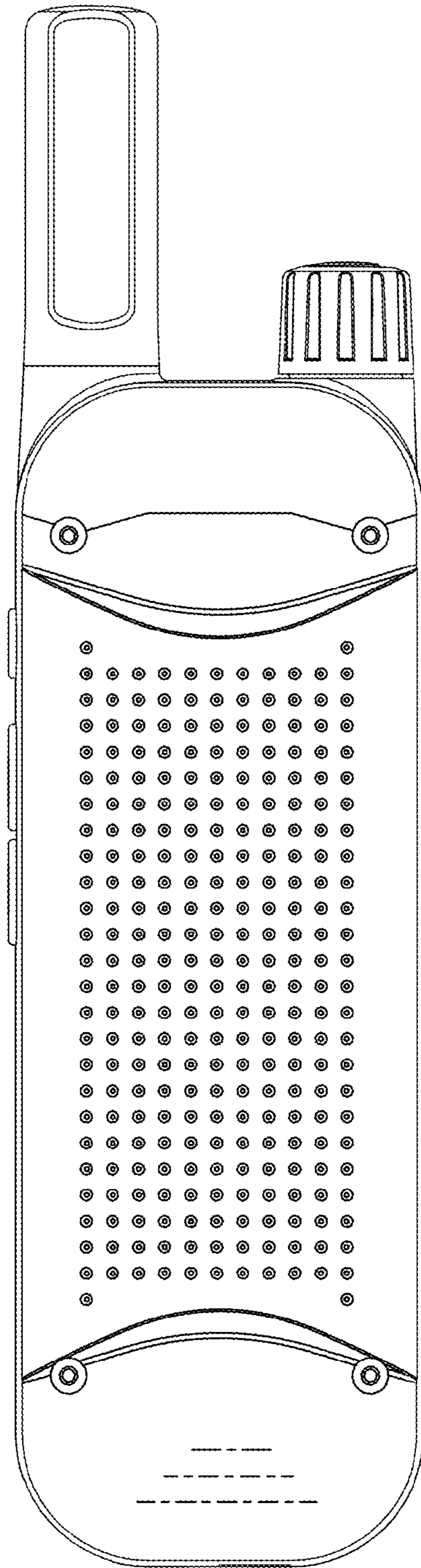


FIG. 8