



US00D989419S

(12) **United States Design Patent** (10) **Patent No.:** **US D989,419 S**
Le (45) **Date of Patent:** **** Jun. 13, 2023**

(54) **WASTE COLLECTOR**

FOREIGN PATENT DOCUMENTS

(71) Applicant: **ORANGE MARGARITA, INC.**,
Walpole, MA (US)

CA 189554 1/2021
CN 305954555 7/2020

(Continued)

(72) Inventor: **Johnny Le**, Tustin, CA (US)

OTHER PUBLICATIONS

(73) Assignee: **ORANGE MARGARITA, INC.**,
Walpole, MA (US)

“Dog Pooper Scooper” available Oct. 13, 2019, [online], [site visited Nov. 2, 2022]. Retrieved from Internet, URL:https://www.amazon.com/Upgraded-Scooper-Adjustable-Removal-Bending/dp/B07Z33SHX2/ref=sxin_15_pa_sp_search_thematic_sspa (Year: 2019).*

(Continued)

(**) Term: **15 Years**

(21) Appl. No.: **29/795,386**

(22) Filed: **Jun. 17, 2021**

Primary Examiner — Katrina N Gonzalez

(51) **LOC (14) Cl.** **30-99**

(74) *Attorney, Agent, or Firm* — Greenberg Traurig, LLP

(52) **U.S. Cl.**

(57) **CLAIM**

USPC **D30/162**; D32/52

The ornamental design for a waste collector, as shown and described.

(58) **Field of Classification Search**

USPC D30/161, 162; 119/161, 163, 165–171,
119/174; D32/40, 50, 51, 52, 54, 74;
D8/1, 10, 11, 12, 300

DESCRIPTION

CPC A01K 1/01; A01K 1/0107; A01K 1/011;
A01K 1/0114; A01K 1/0125

FIG. 1 is a front view of a waste collector in accordance with the present design, but shown disassembled for completeness of illustration;

See application file for complete search history.

FIG. 2 is a rear view thereof;

FIG. 3 is a left-side view thereof;

FIG. 4 is a right-side view thereof;

FIG. 5 is a top plan view thereof;

FIG. 6 is a bottom plan view thereof;

FIG. 7 is a perspective view thereof, but shown assembled for completeness of illustration;

FIG. 8 is a front view thereof;

FIG. 9 is a rear view thereof;

FIG. 10 is a left-side view thereof;

FIG. 11 is a right-side view thereof;

FIG. 12 is a top plan view thereof; and,

FIG. 13 is a bottom plan view thereof.

The broken lines depict environmental structure that forms no part of the claimed design.

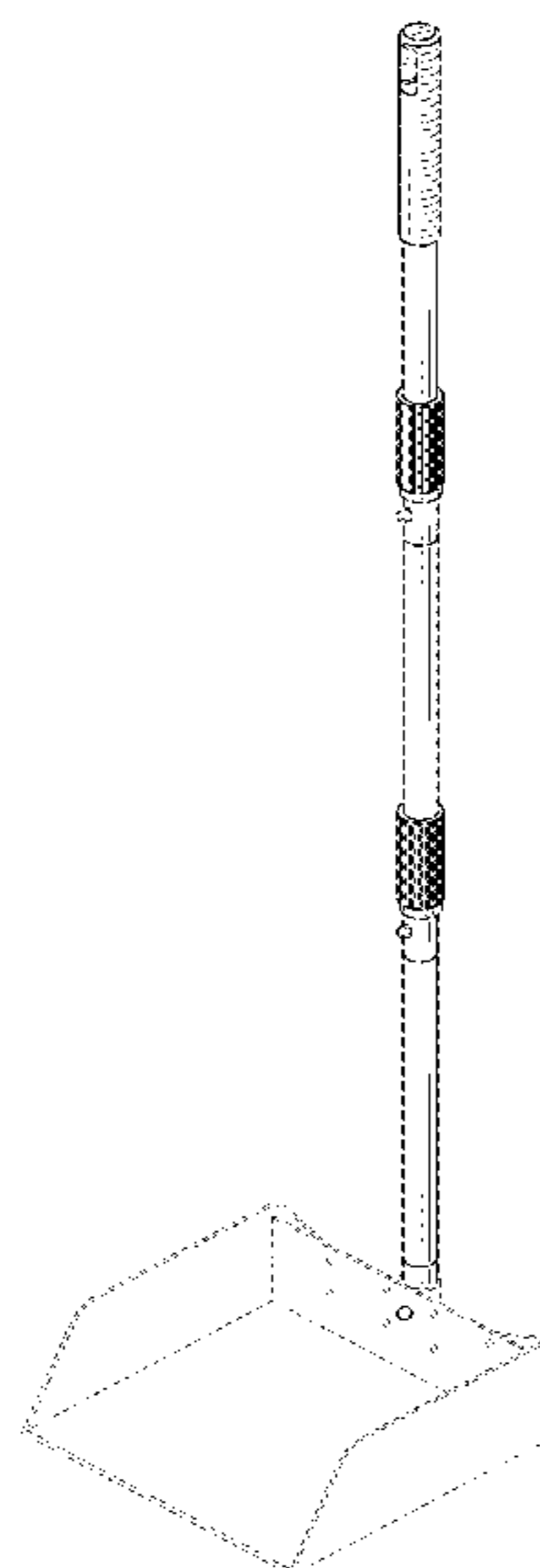
(56) **References Cited**

U.S. PATENT DOCUMENTS

D285,831 S * 9/1986 Warnke D30/162
4,793,646 A * 12/1988 Michaud, Jr. B63B 21/54
114/221 R
D304,248 S * 10/1989 Elrod D30/162
D304,993 S 12/1989 Sunila
D316,315 S * 4/1991 Elrod D30/162
D322,022 S 12/1991 Cunningham et al.
D323,095 S 1/1992 Usbeck
D330,321 S 10/1992 Berti
D361,695 S 8/1995 Sutker
D409,804 S * 5/1999 Nunes D30/162
D543,829 S 6/2007 Berti

(Continued)

1 Claim, 11 Drawing Sheets



(56)

References Cited

U.S. PATENT DOCUMENTS

D581,244	S	11/2008	Berti	
D653,931	S *	2/2012	Blanchard	D8/107
D665,954	S *	8/2012	Diehl	D30/162
D670,151	S *	11/2012	Angel	D8/107
8,684,429	B1 *	4/2014	Holub	E01H 1/1206 294/1.4
8,777,283	B2	7/2014	McNair	
D789,637	S	6/2017	Dobson, III	
D795,694	S	8/2017	Yefremow et al.	
D819,906	S	6/2018	Beyda et al.	
10,352,009	B1 *	7/2019	Cook	E01H 1/1206
10,472,782	B1 *	11/2019	Li	A47L 13/52
D873,634	S	1/2020	Landreville et al.	
D882,896	S	4/2020	Thompson	
D896,451	S	9/2020	Perez et al.	
D903,211	S	11/2020	Gao	
D919,391	S	5/2021	Jefferson, Jr.	
D924,498	S *	7/2021	Gao	D30/162
D936,303	S *	11/2021	Jiang	D30/162
2002/0140240	A1 *	10/2002	Charette	A01K 23/005 294/1.5
2004/0164568	A1 *	8/2004	Diehl	E01H 1/1206 294/1.4
2009/0058114	A1 *	3/2009	Diehl	E01H 1/1206 294/1.4
2014/0190142	A1 *	7/2014	Saxton	E02D 3/046 56/400.05

FOREIGN PATENT DOCUMENTS

CN	306007368	8/2020
KR	300313088.0000	11/2002
KR	300945745.0000	2/2018

OTHER PUBLICATIONS

“Toozey Dog Pooper Scooper” available Mar. 17, 2020, [online], [site visited Nov. 2, 2022]. Retrieved from Internet, URL:https://www.amazon.com/Toozey-Scooper-Upgraded-Adjustable-Removal/dp/B08YF5M7Q7/ref=sr_1_23_sspa (Year: 2020).*

“Anrekeyh 6ft Mop Handle” available Aug. 13, 2022, [online], [site visited Nov. 2, 2022]. Retrieved from Internet, URL:https://www.amazon.com/ANREKEYH-Replacement-EasyWring-Microfiber-Compatible/dp/B0B6FGLT4X/ref=sr_1_20 (Year: 2022).*

“Kelamayi Broom” available Nov. 15, 2021, [online], [site visited Jan. 2, 2022]. Retrieved from Internet, URL:https://www.amazon.com/kelamayi-Upgrade-Dustpan-Upright-Outdoor/dp/B09LTY6RR3/ref=sr_1_113_sspa (Year: 2021).*

“Dustpan Combo Set” available Jun. 1, 2021, [online], [site visited Nov. 2, 2022]. Retrieved from Internet, URL:https://www.amazon.com/Dustpan-Upright-Indoor-Kitchen-Commercial/dp/B0969B481M/ref=sr_1_148 (Year: 2021).*

“12pcs Microfiber Dusters” available Apr. 23, 2022, [online], [site visited Nov. 2, 2022]. Retrieved from Internet, URL:https://www.amazon.com/Microfiber-Extension-Stainless-Extendable-Furniture/dp/B09YNDNDNVK/ref=sr_1_285 (Year: 2022).*

“Grove Co. Compact Broom” available 2019, [online], [site visited Nov. 2, 2022]. Retrieved from Internet, URL:<https://www.grove.co/catalog/product/compact-broom-collapsible-handle> (Year: 2019).*

“FGY Broom” available Dec. 25, 2021, [online], [site visited Nov. 2, 2022]. Retrieved from Internet, URL:<https://www.walmart.com/reviews/product/490479000> (Year: 2021).*

Retrieved from: https://www.amazon.com/dp/B07T99Q5YH/ref=redir_mobile_desktopcurrency=USD&ie=UTF8&language=en_US&ref_=cm_cr_ar_p_mb_bdcrb%E2%80%A6, Dec. 19, 2016.

Retrieved from: https://www.amazon.com/dp/B07RDK2L69/ref=sr_1_60_sspa?mk_zh_CN=%E4%BA%9A%E9%A9%AC%E9%80%8A%E7%BD%91%E7%AB%99&dchild=1&keywords=Rake+Poop&qid=1616745669&sr%E2%80%A6, May 6, 2019.

Retrieved from: https://www.amazon.com/-/zh/dp/B07VHYQST3/ref=pd_di_sccai_4?currency=USD&language=en_US&pd_rd_i=B07VHYQST3&pd_rd_r=1d1e1%E2%80%A6&th=1, Aug. 25, 2019.

Retrieved from: https://www.amazon.com/Pawler-Bigger-Pooper-Scooper-Gravel/dp/B07ZSWFFZ6/ref=sr_1_5?crid=NUC46G82VZSL&dchild=1&keywords=tray+%E2%80%A6, Nov. 5, 2019.

Retrieved from: https://www.amazon.com/-/zh/dp/B085R9VR1G/ref=pd_di_sccai_5?currency=USD&language=en_US&pd_rd_i=B085R9VR1G&pd_rd_r=5e5648%E2%80%A6, Mar. 11, 2020.

* cited by examiner

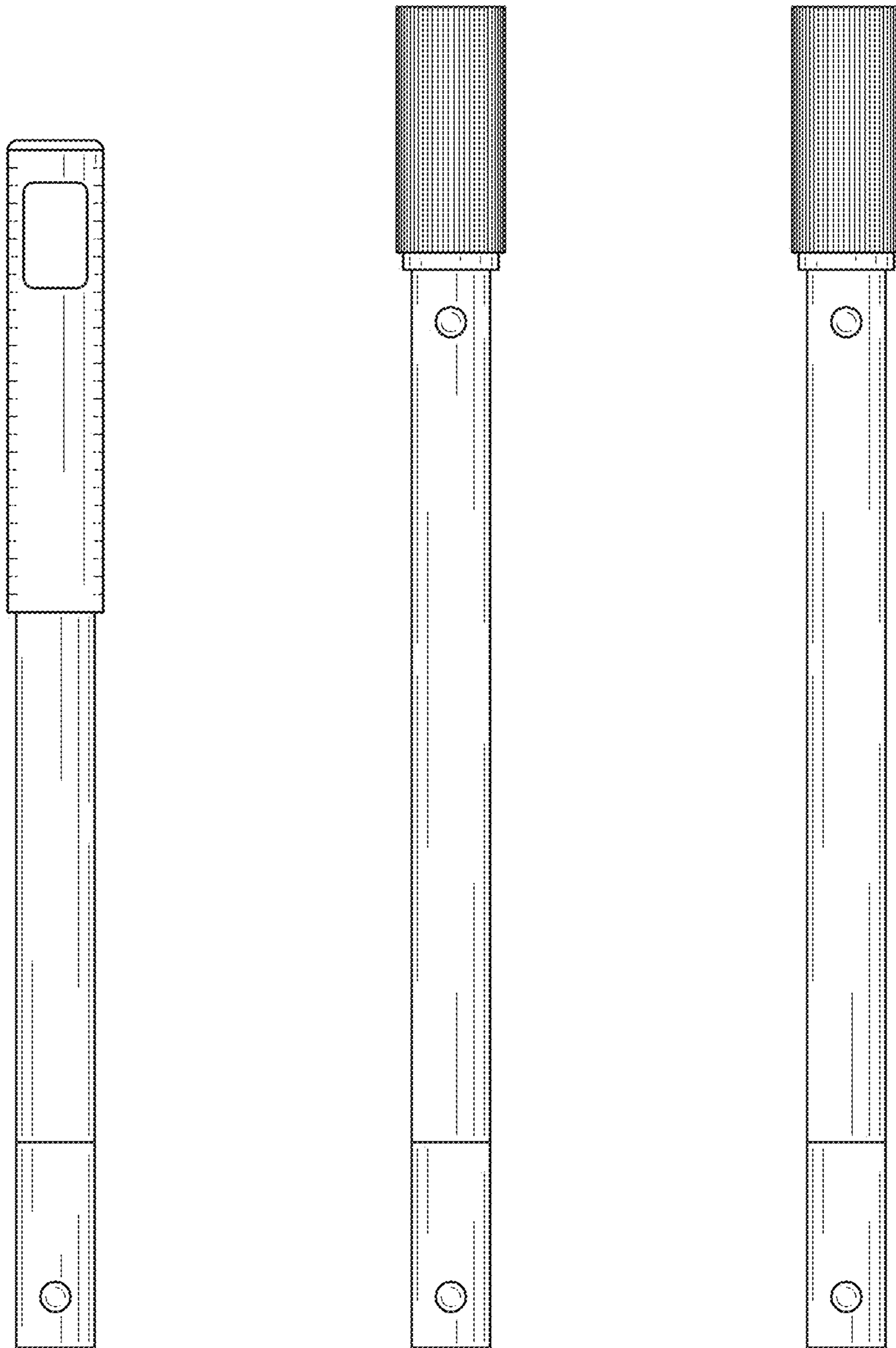


FIG. 1

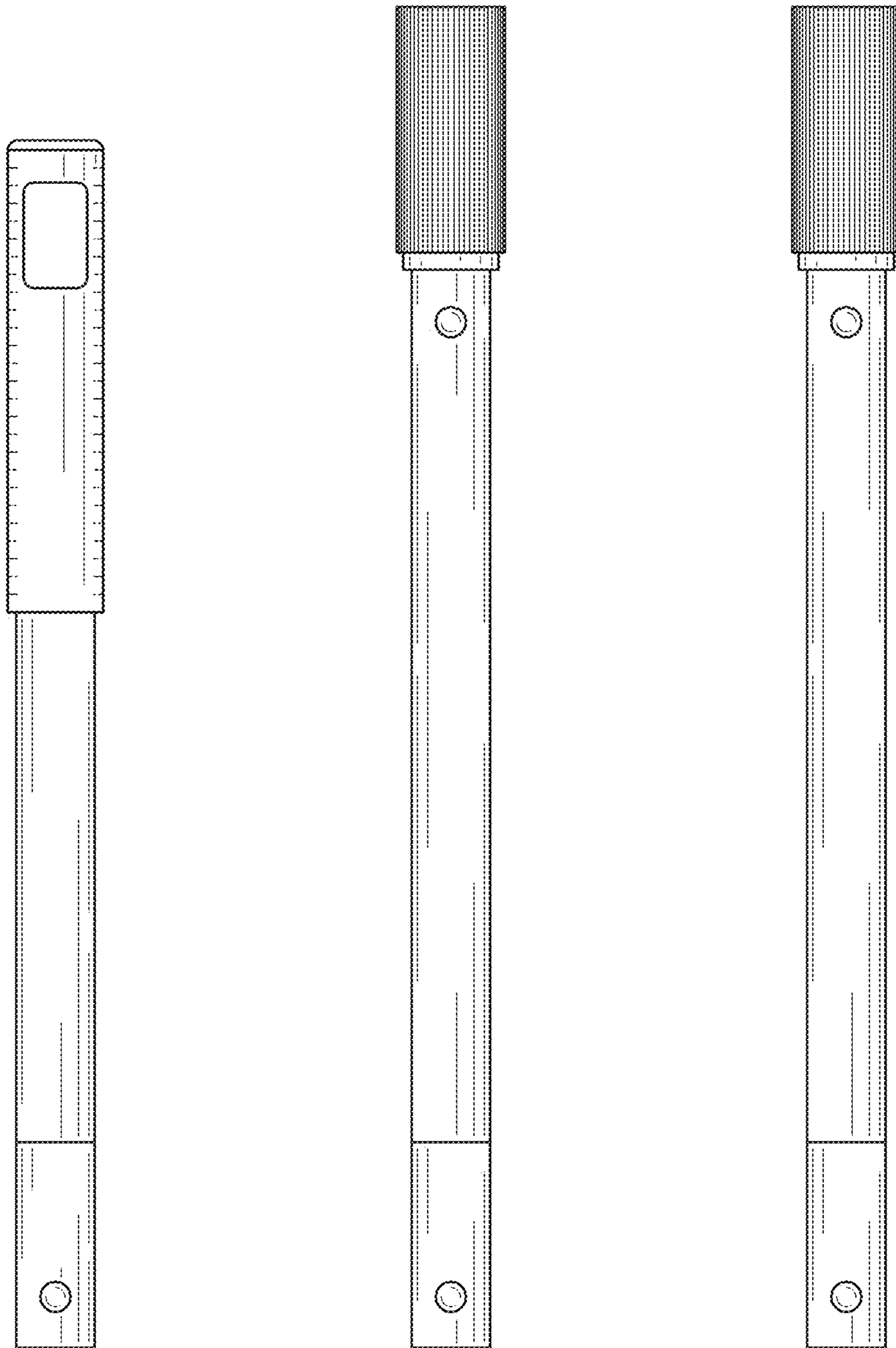


FIG. 2

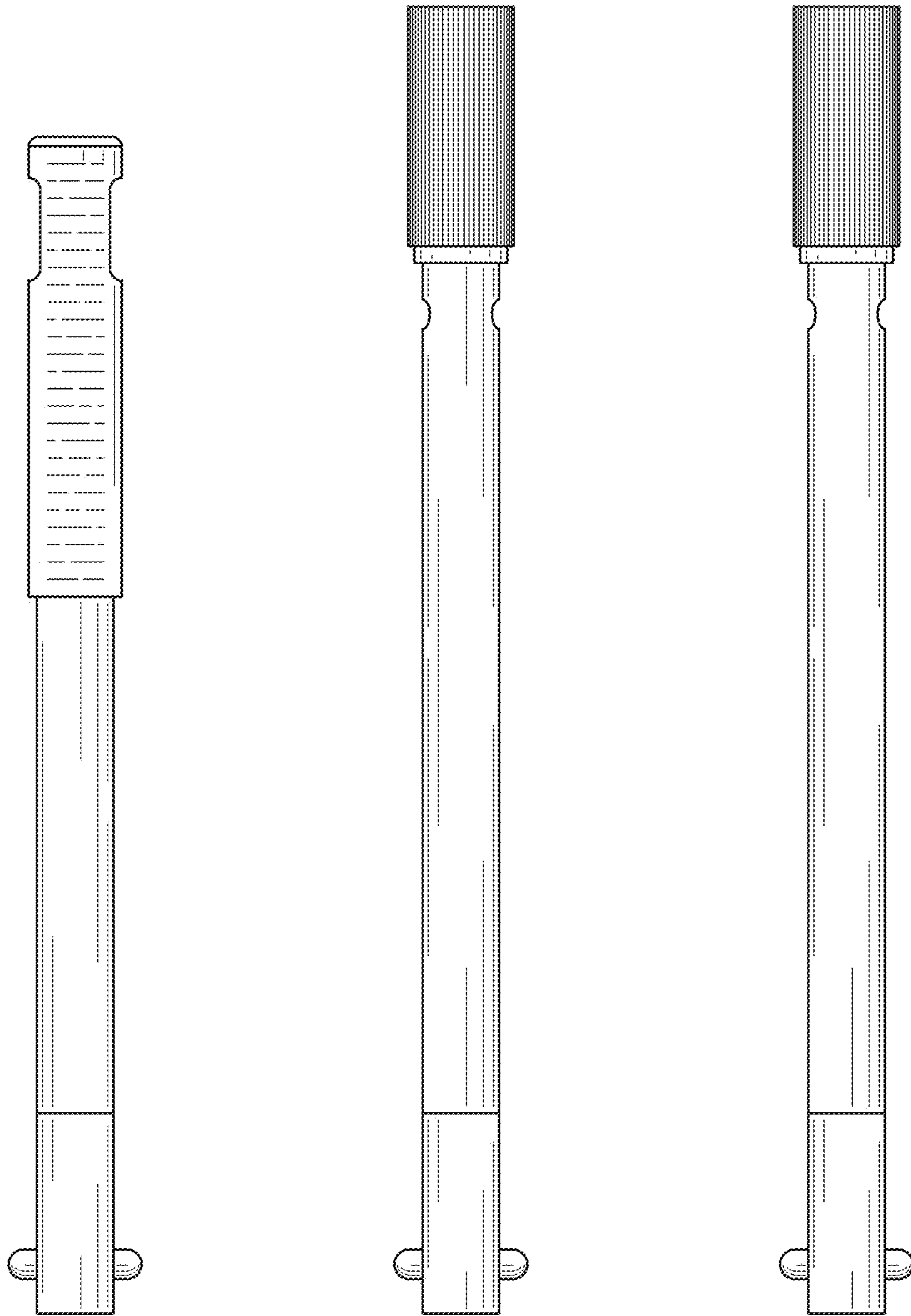


FIG. 3

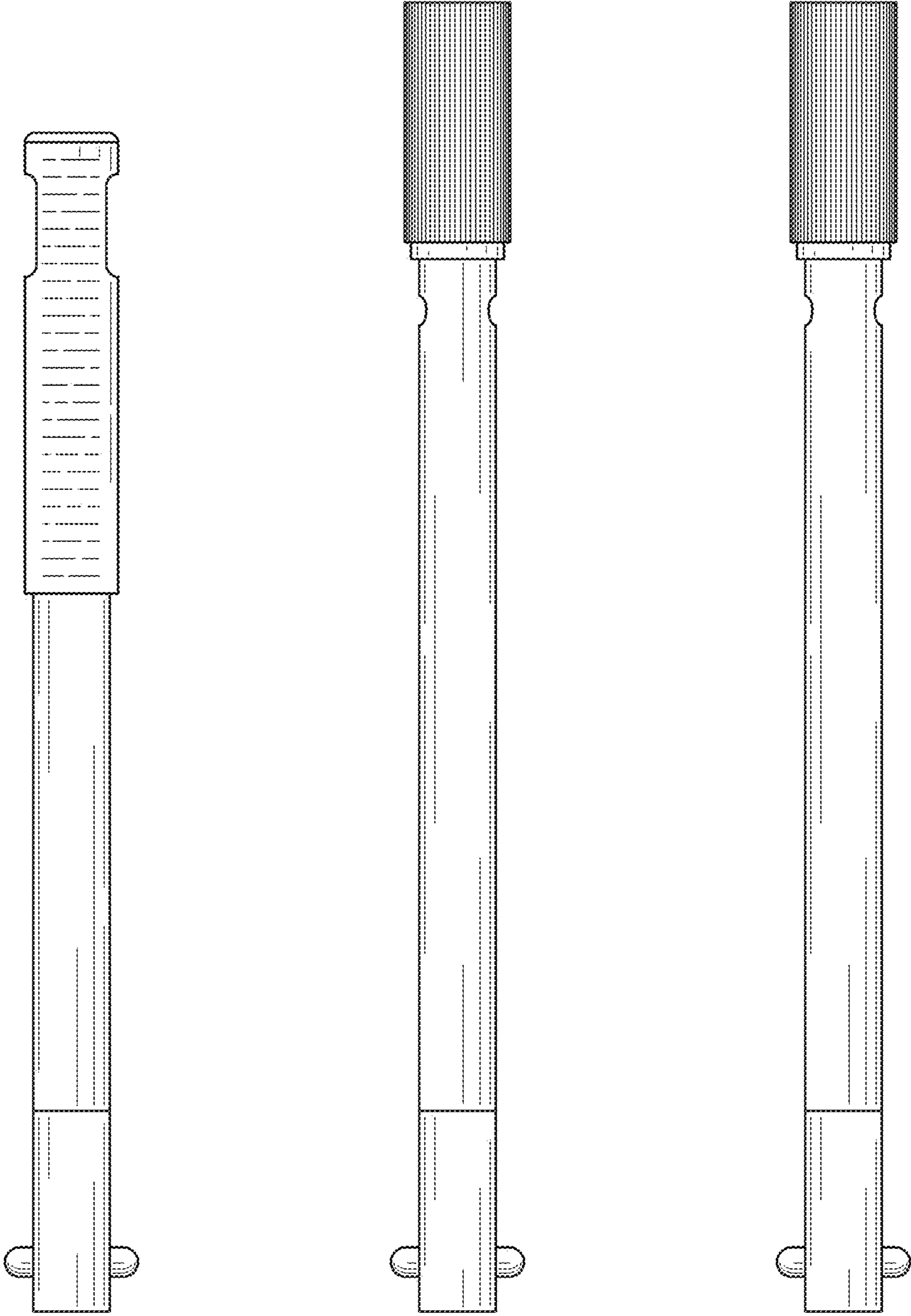


FIG. 4

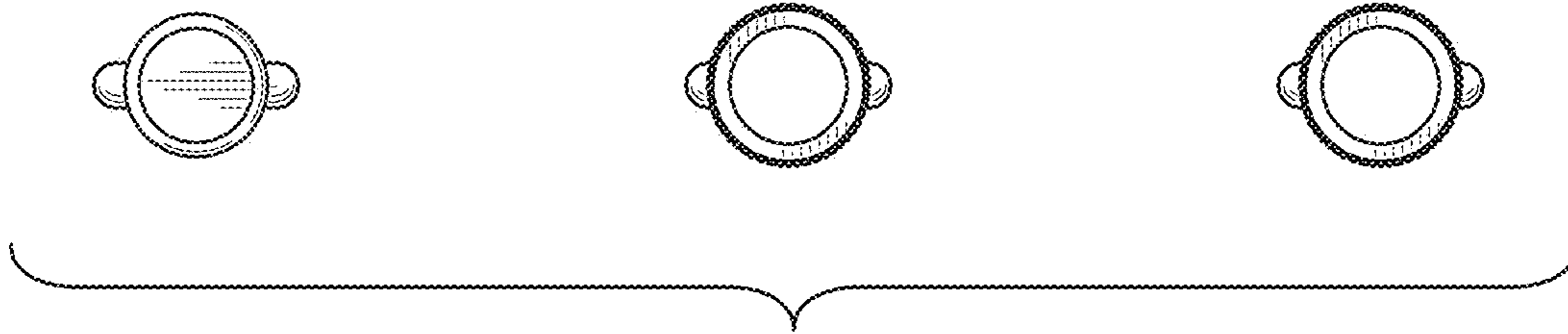


FIG. 5

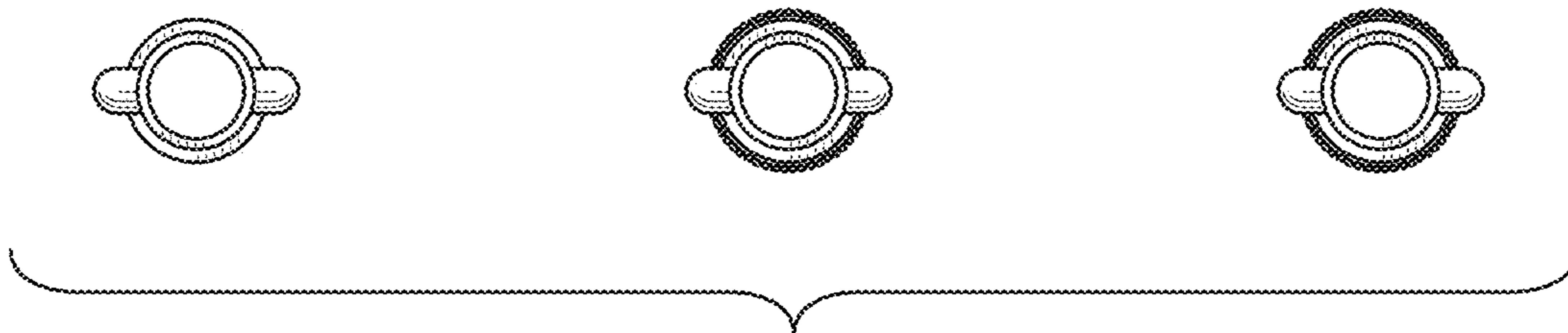


FIG. 6

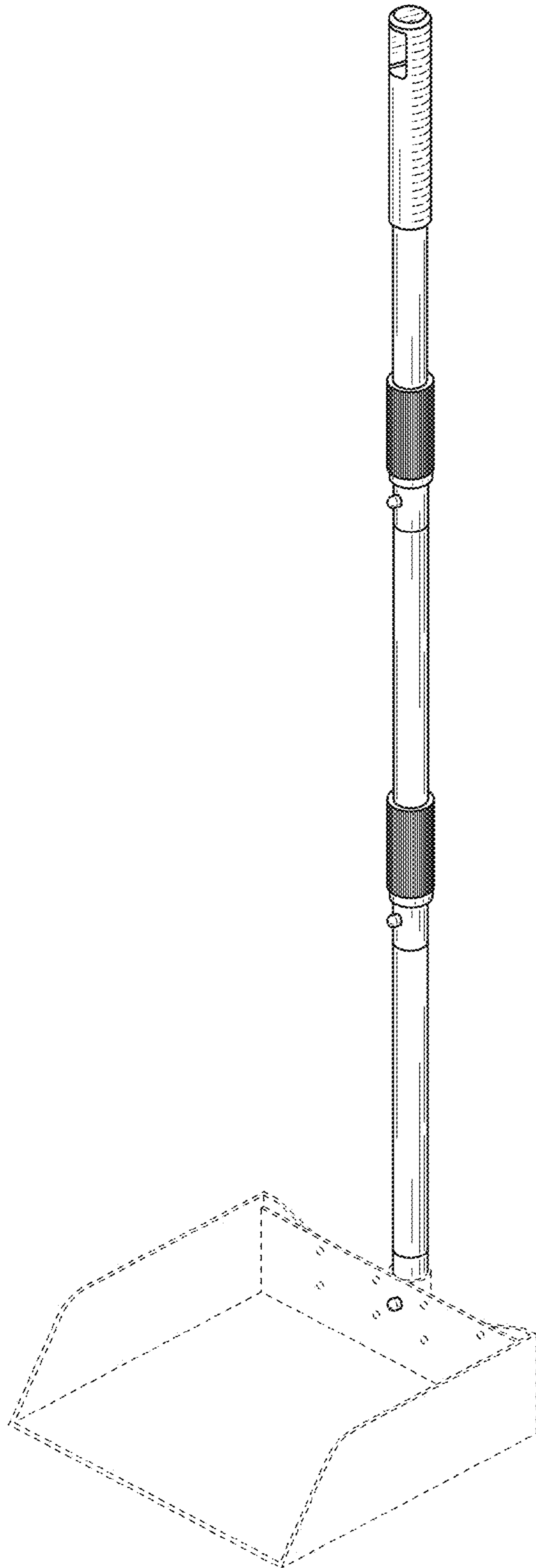


FIG. 7

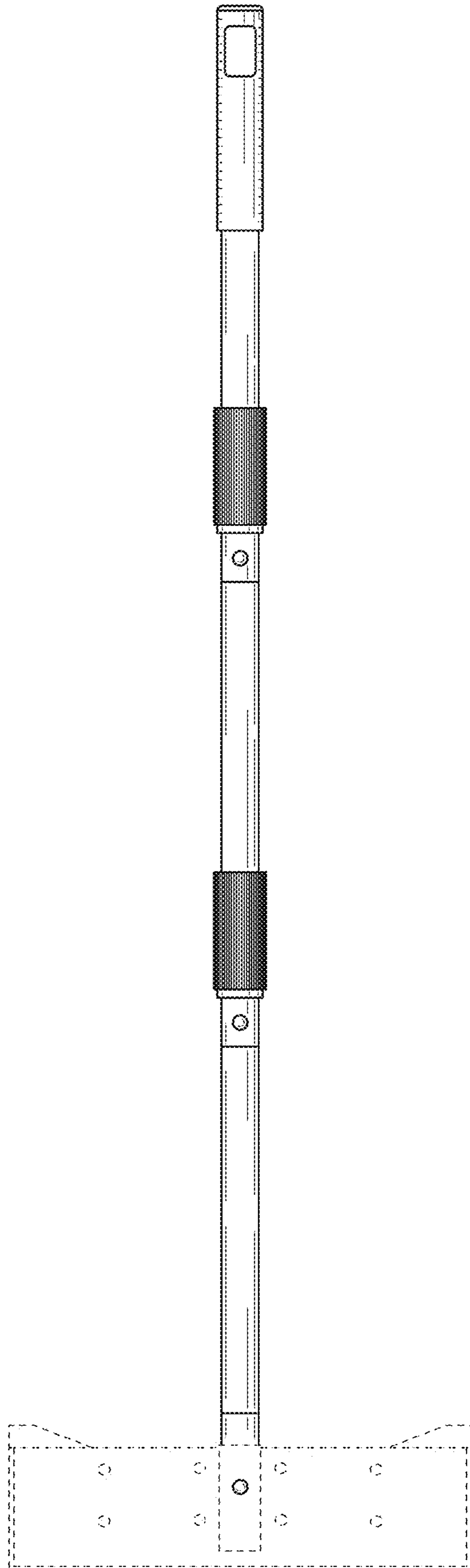


FIG. 8

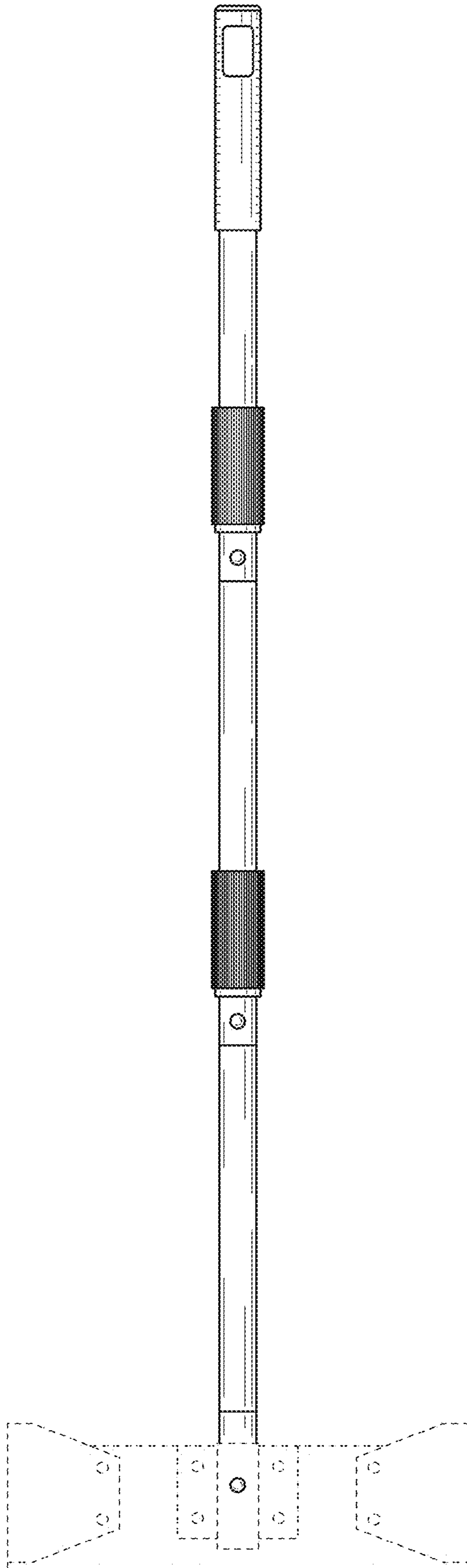


FIG. 9

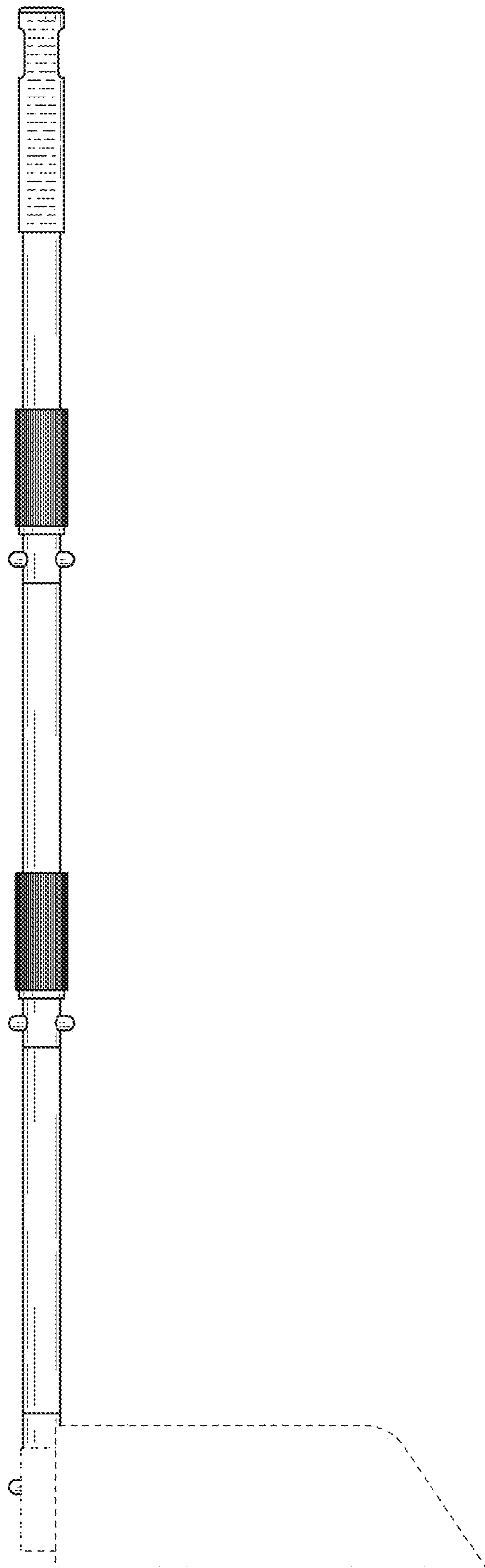


FIG. 10

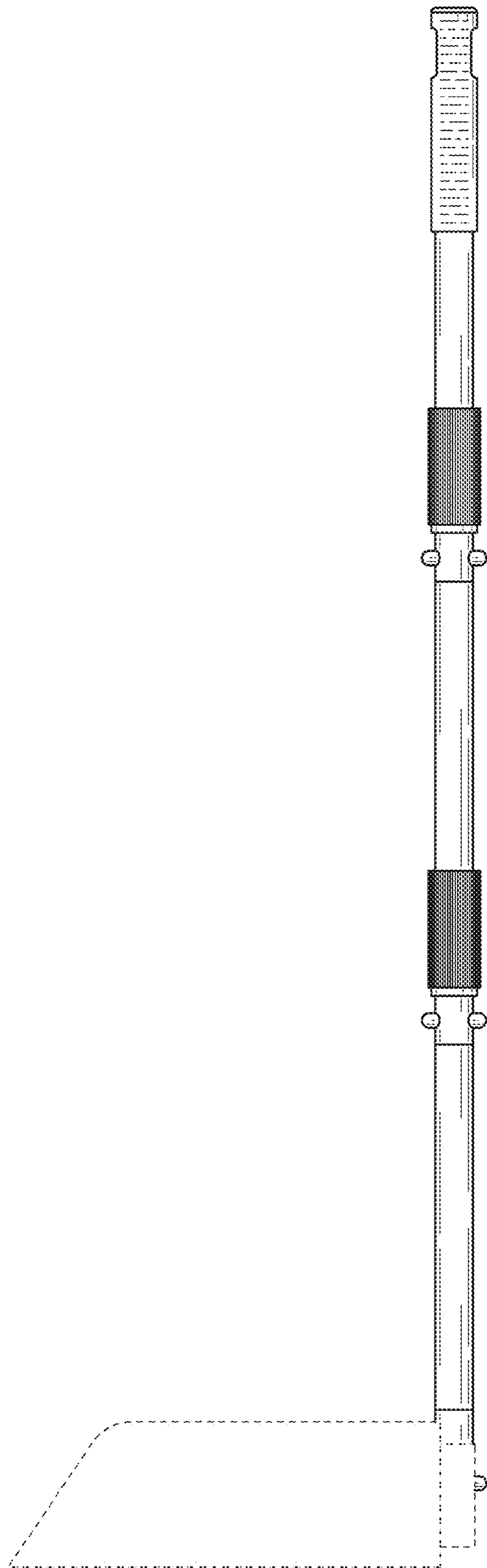


FIG. 11

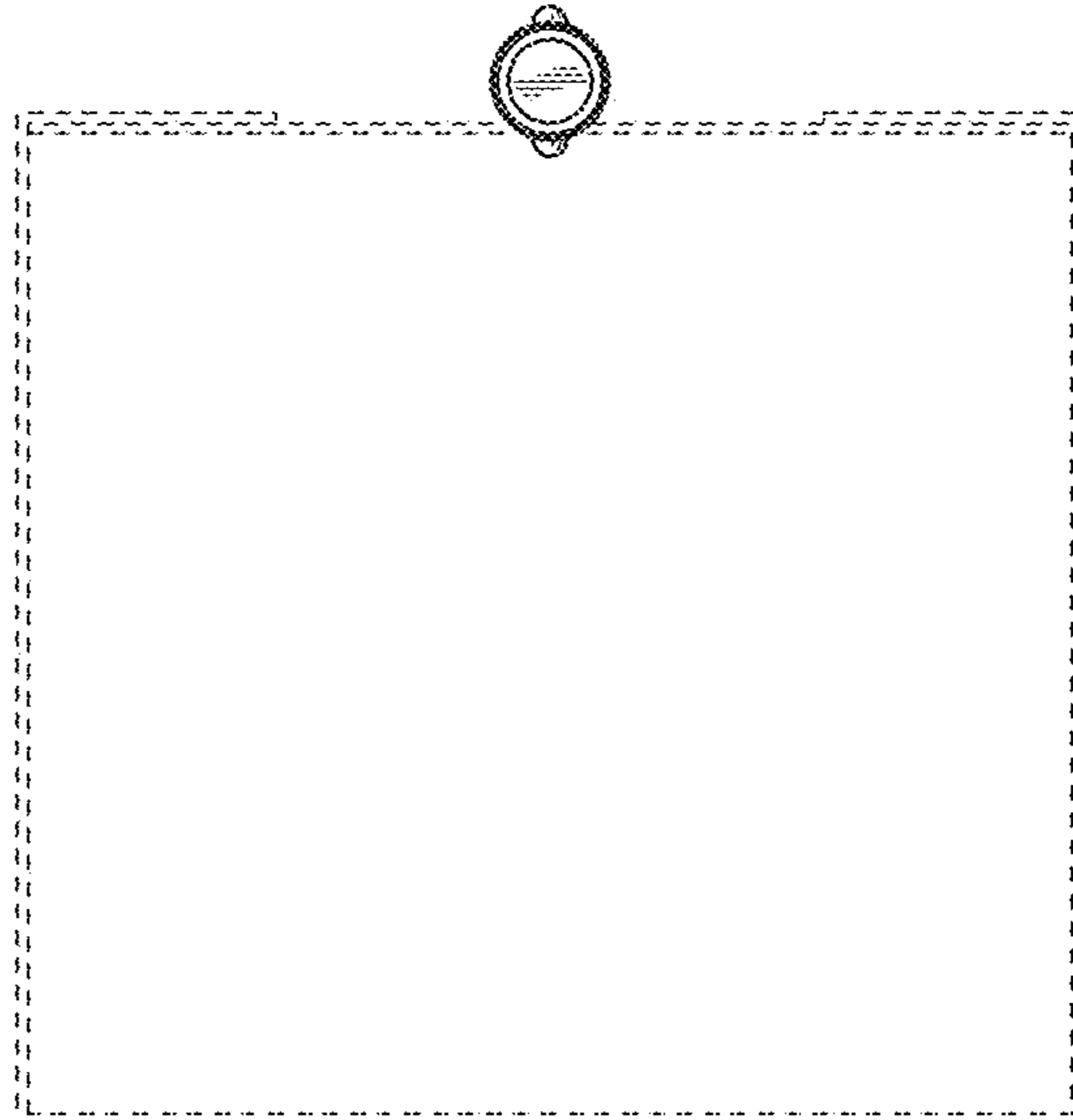


FIG. 12

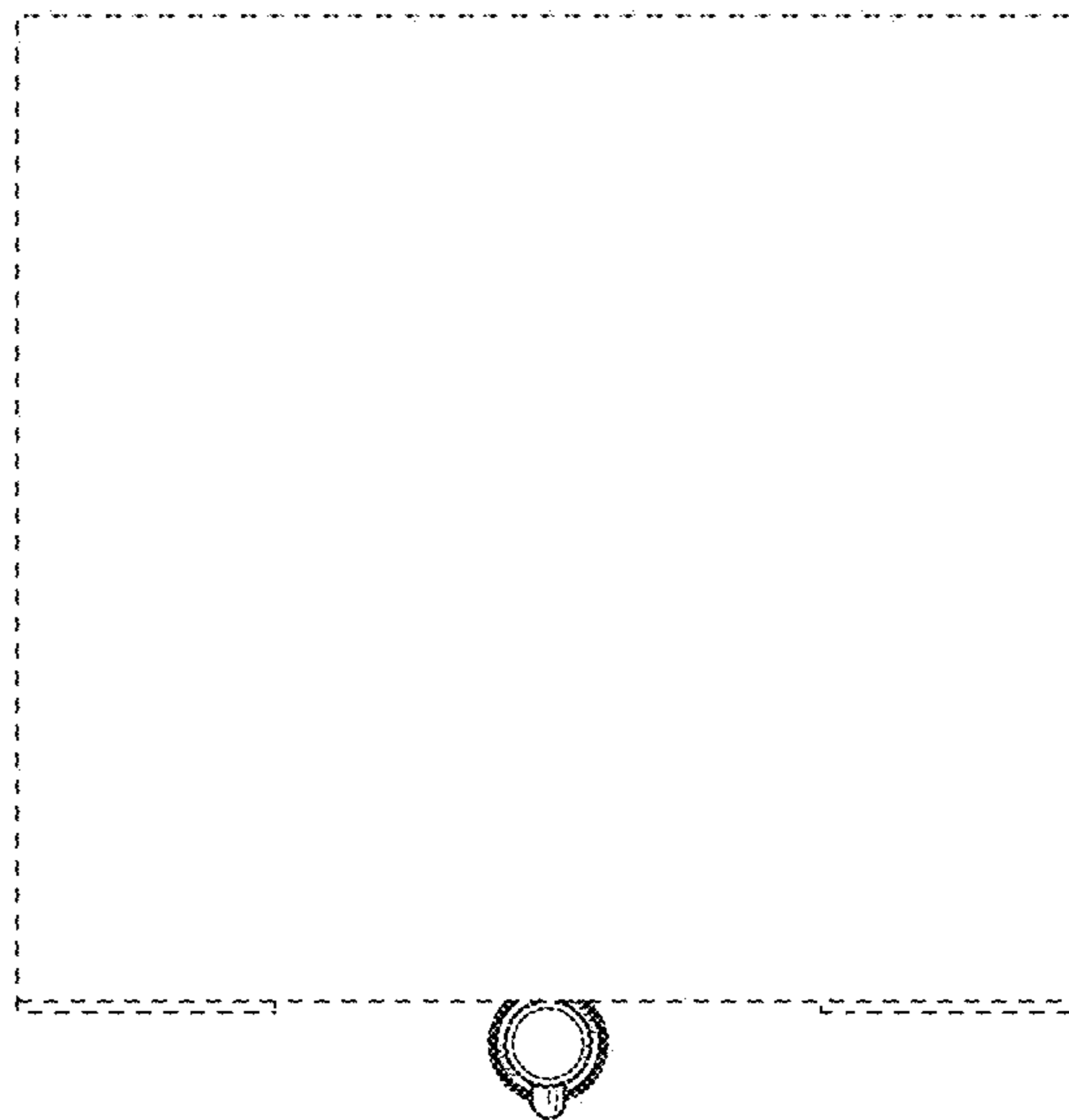


FIG. 13