



US00D989416S

(12) **United States Design Patent**
Bradford

(10) **Patent No.:** **US D989,416 S**
(45) **Date of Patent:** **** Jun. 13, 2023**

(54) **PET LEASH ASSEMBLY**

(71) Applicant: **Cammie Bradford**, Herndon, PA (US)

(72) Inventor: **Cammie Bradford**, Herndon, PA (US)

(**) Term: **15 Years**

(21) Appl. No.: **29/772,118**

(22) Filed: **Feb. 26, 2021**

Related U.S. Application Data

(63) Continuation-in-part of application No. 17/186,968, filed on Feb. 26, 2021.

(51) **LOC (14) Cl.** **30-04**

(52) **U.S. Cl.**
USPC **D30/153**

(58) **Field of Classification Search**
USPC D30/144, 151, 152, 153, 154, 155, 199;
D8/107, 300, 313; D21/682, 683, 684,
D21/732, 777, 840; D3/215, 274, 290,
D3/299

CPC .. A01K 27/003; A01K 27/008; A01K 27/004;
B65F 1/062; B25G 1/102

See application file for complete search history.

(56) **References Cited**

U.S. PATENT DOCUMENTS

D408,598 S *	4/1999	Martell	D30/153
6,371,055 B1	4/2002	Lawrence		
D492,454 S *	6/2004	Saunders	D30/153
D535,790 S *	1/2007	Curtis	D30/153
D685,957 S *	7/2013	Schiffman	D30/153
D702,894 S *	4/2014	Bayless	D30/153
D727,577 S *	4/2015	Lanich	D30/153
D760,449 S *	6/2016	La Herran	D30/153
10,820,576 B1 *	11/2020	Colburn	A01K 27/005
2010/0024741 A1	2/2010	Schoppman		
2010/0095903 A1 *	4/2010	Garcia	A01K 27/008 119/770
2013/0092101 A1	4/2013	Sylvanowicz		

2013/0276717 A1	10/2013	Fuller		
2015/0053145 A1 *	2/2015	Miksovsky	A01K 27/003 29/428
2015/0075448 A1 *	3/2015	Clark	A01K 27/003 119/797
2017/0094945 A1 *	4/2017	Sullivan	A01K 27/003
2017/0164582 A1	6/2017	Torres		

(Continued)

OTHER PUBLICATIONS

“Outward Hound: GoBag Leash Accessory”. Found online Apr. 15, 2021 at outwardhound.com. Reference dated Jun. 24, 2018. Retrieved from https://tineye.com/search/f6c6e7a58bb94a3a4dd76ac403480e5d4e6ef0ad?sort=crawl_date&order=asc&page=1.*

(Continued)

Primary Examiner — Kendra Leslie Hamilton

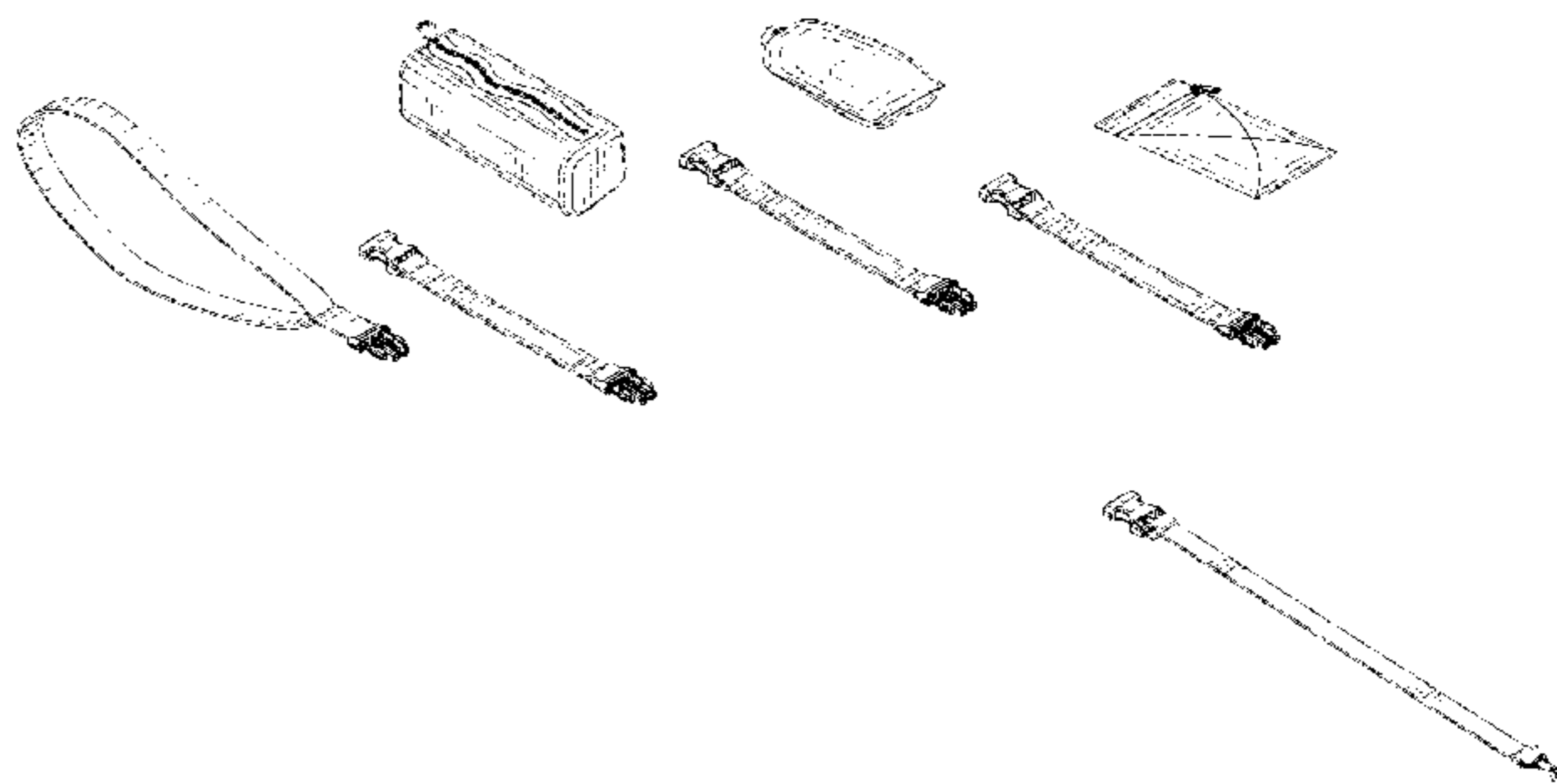
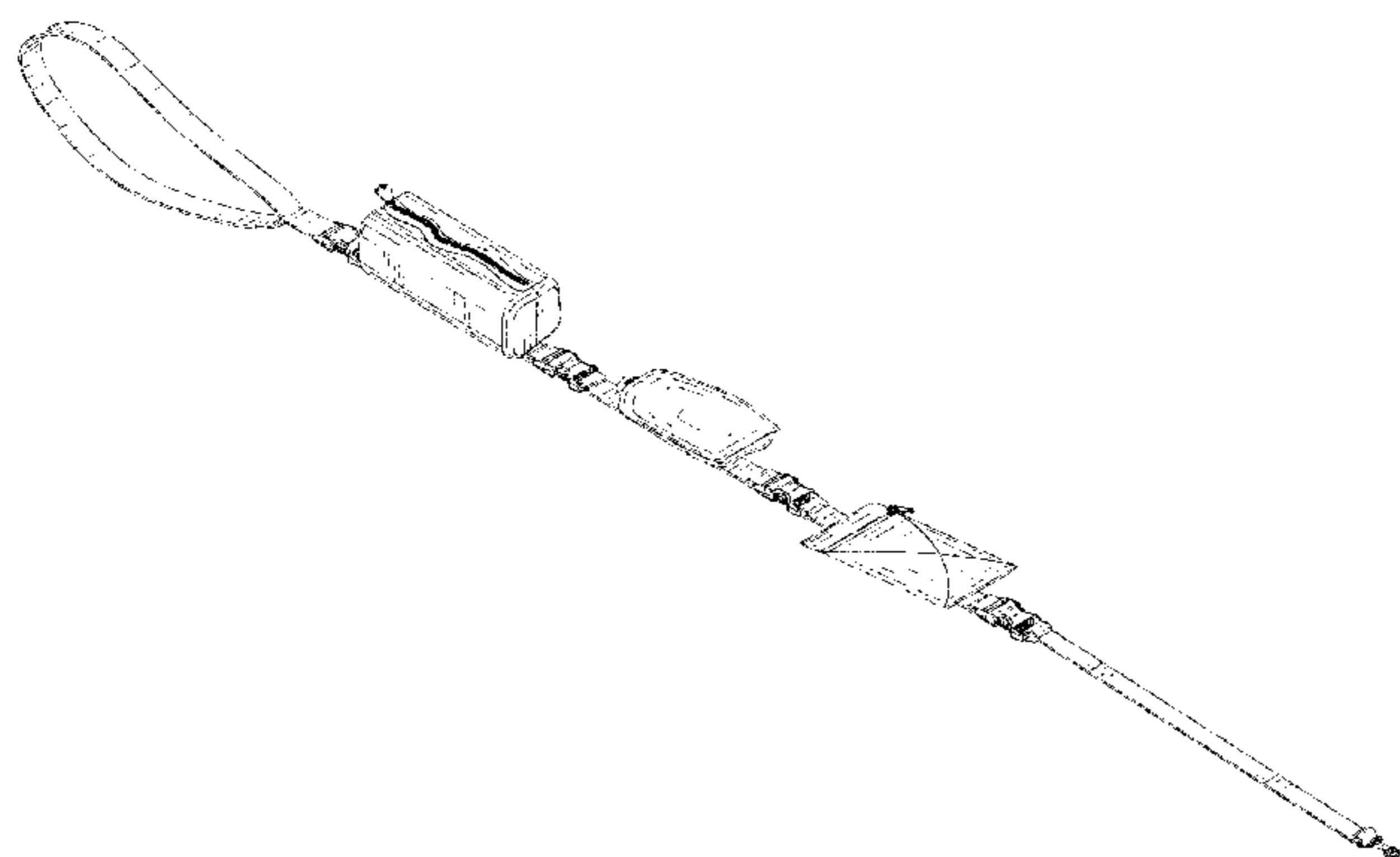
(57) **CLAIM**

The ornamental design for a pet leash assembly, as shown and described.

DESCRIPTION

FIG. 1 is a top-front-right perspective view of a pet leash assembly showing my new design;
FIG. 2 is a bottom-rear-left perspective view thereof;
FIG. 3 is a front elevational view thereof;
FIG. 4 is a rear elevational view thereof;
FIG. 5 is a right-side elevational view thereof;
FIG. 6 is a left-side elevational view thereof;
FIG. 7 is an enlarged top plan view of the pet leash assembly of FIG. 1;
FIG. 8 is an enlarged bottom plan view thereof;
FIG. 9 is a reduced left-front-bottom perspective view of the pet leash assembly of FIG. 1; and,
FIG. 10 is a exploded view of the pet leash assembly of FIG. 9, shown exploded for clarity of disclosure.

1 Claim, 10 Drawing Sheets



(56)

References Cited

U.S. PATENT DOCUMENTS

2020/0305395 A1 * 10/2020 Haarburger E01H 1/1206

OTHER PUBLICATIONS

“GttD: DIY Inline Pouch”. Found online Apr. 14, 2016 at community.annthegran.com. Reference dated Mar. 29, 2013. Retrieved from <http://community.annthegran.com/post/2013/03/29/going-to-the-dogs-in-style!>.*

“Kurgo: Duty Bag for Dogs”. Found online Jun. 16, 2022 at amazon.com. Reference dated May 30, 2017. Retrieved from https://www.amazon.com/Kurgo-Duty-Bag-Poop-Dispenser/dp/B0723HG1GR/ref=psdc_2619534011_t3_B08SJXH9P6.*

“Cardio Canine: Hands-Free Dog Leash System”. Found online Apr. 8, 2016. Reference dated Jul. 16, 2007. Retrieved from <http://www.popsugar.com/fitness/Get-Gear-Cardio-Canine-311902>.

*

* cited by examiner

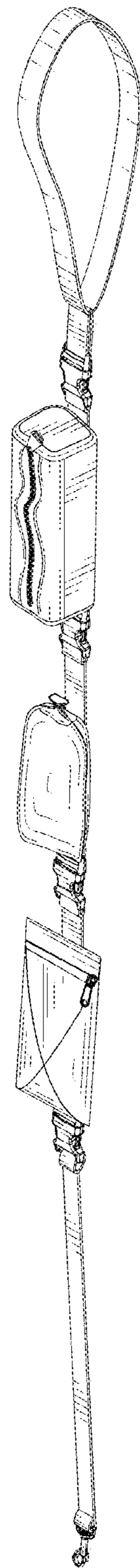


FIG. 1

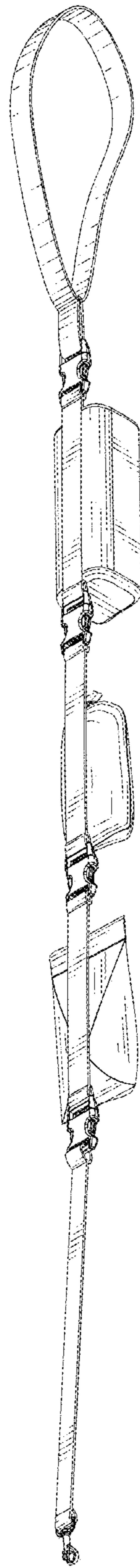


FIG. 2

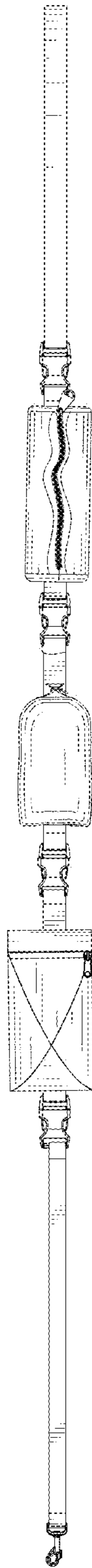


FIG. 3

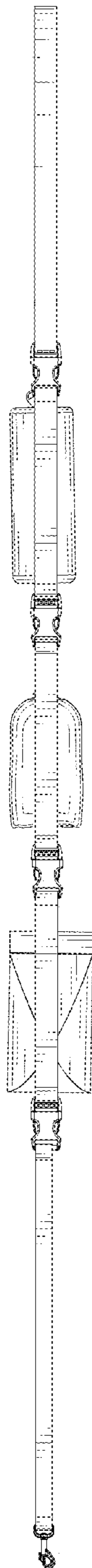


FIG. 4

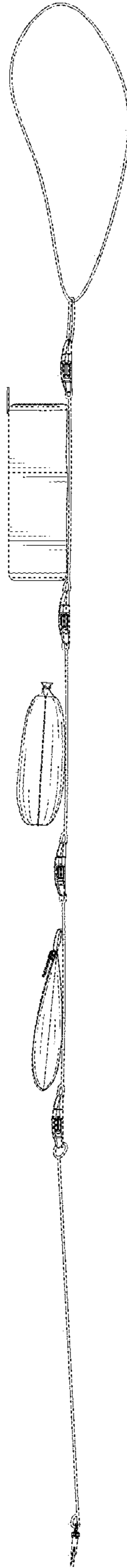


FIG. 5

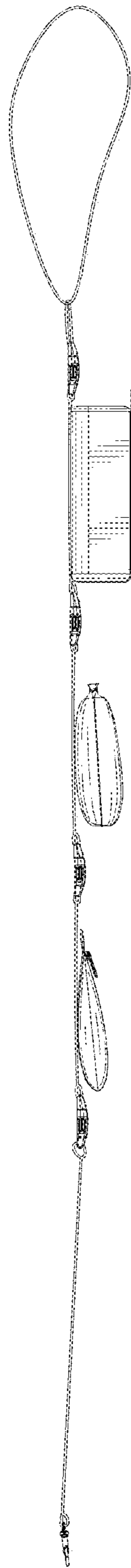


FIG. 6

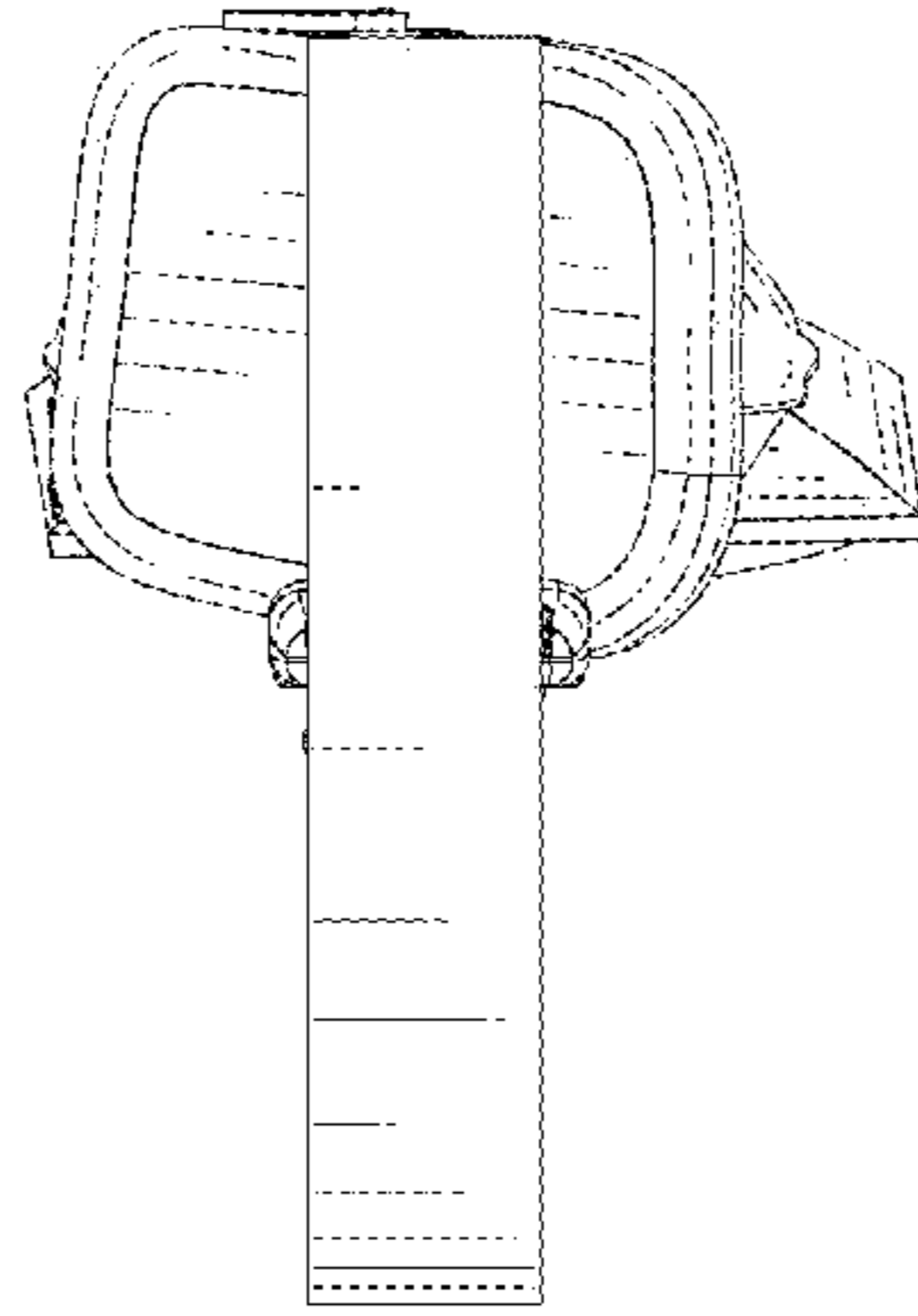


FIG. 7

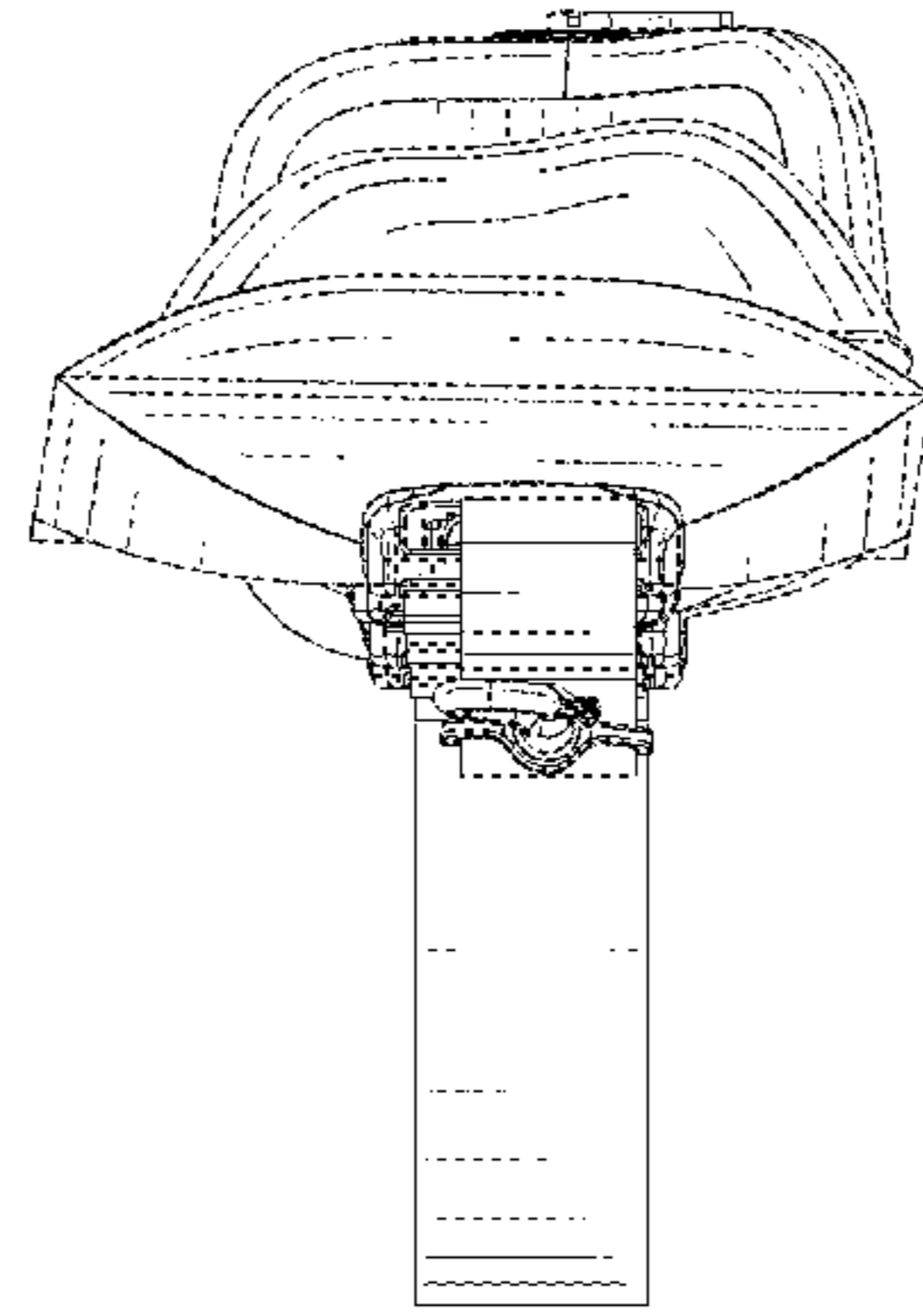


FIG. 8

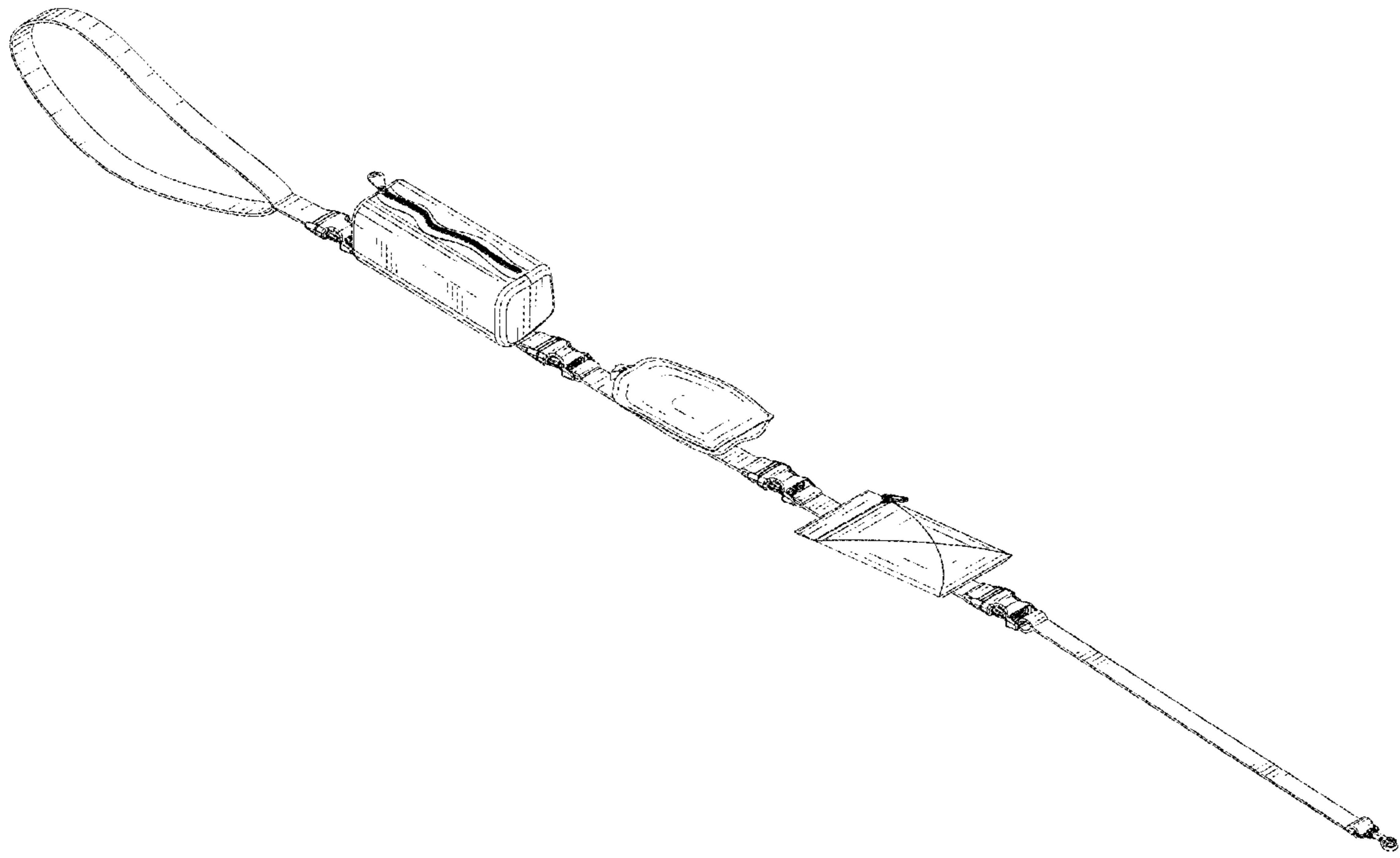


FIG. 9

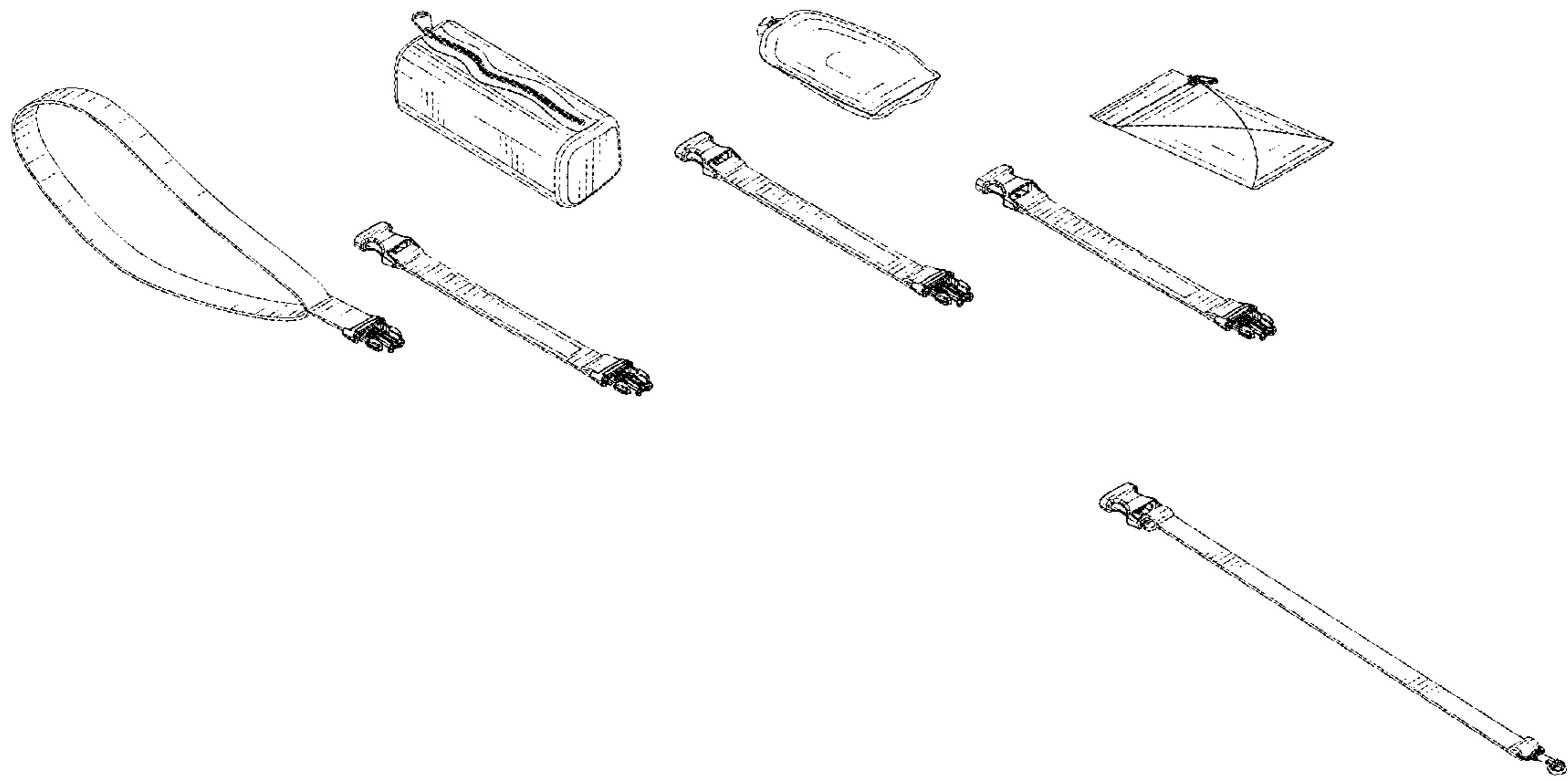


FIG. 10