



US00D989414S

(12) **United States Design Patent**  
**Li**

(10) **Patent No.:** **US D989,414 S**  
(45) **Date of Patent:** **\*\* Jun. 13, 2023**

- (54) **PET COLLAR**
- (71) Applicant: **Chenhan Li**, Zhejiang (CN)
- (72) Inventor: **Chenhan Li**, Zhejiang (CN)
- (\*\*) Term: **15 Years**
- (21) Appl. No.: **29/860,615**
- (22) Filed: **Nov. 21, 2022**
- (51) **LOC (14) Cl.** ..... **30-04**
- (52) **U.S. Cl.**  
USPC ..... **D30/152**
- (58) **Field of Classification Search**  
USPC ..... D2/627; D10/72; D11/3; D26/118;  
D29/101.1, 101.3, 101.4, 120.1;  
D30/144, 151, 152, 153, 199  
CPC ..... A01K 25/00; A01K 27/00; A01K 27/001;  
A01K 27/002; A01K 27/003; A01K  
27/004; A01K 27/005  
See application file for complete search history.

D673,739 S \* 1/2013 Herrera ..... D30/152  
D705,502 S 5/2014 Markfield  
D734,899 S 7/2015 Martinez  
(Continued)

**FOREIGN PATENT DOCUMENTS**

CN 305233097 \* 6/2019  
CN 307297466 \* 4/2022  
CN 307297474 \* 4/2022

**OTHER PUBLICATIONS**

KVP EZ Soft Pet Cloth Recovery Collar, available in Amazon.ca, date first available Aug. 5, 2015 [online], [site visited Jan. 20, 2023], Available from the internet URL: <https://www.amazon.ca/KVP-Recovery-Collar-5-5-Inch-12-25-Inch/dp/B009N3V3VK?th=1> (Year: 2015).\*

(Continued)

*Primary Examiner* — Vy N Koenig  
*Assistant Examiner* — Elizabeth Anne Glassberg

(57) **CLAIM**

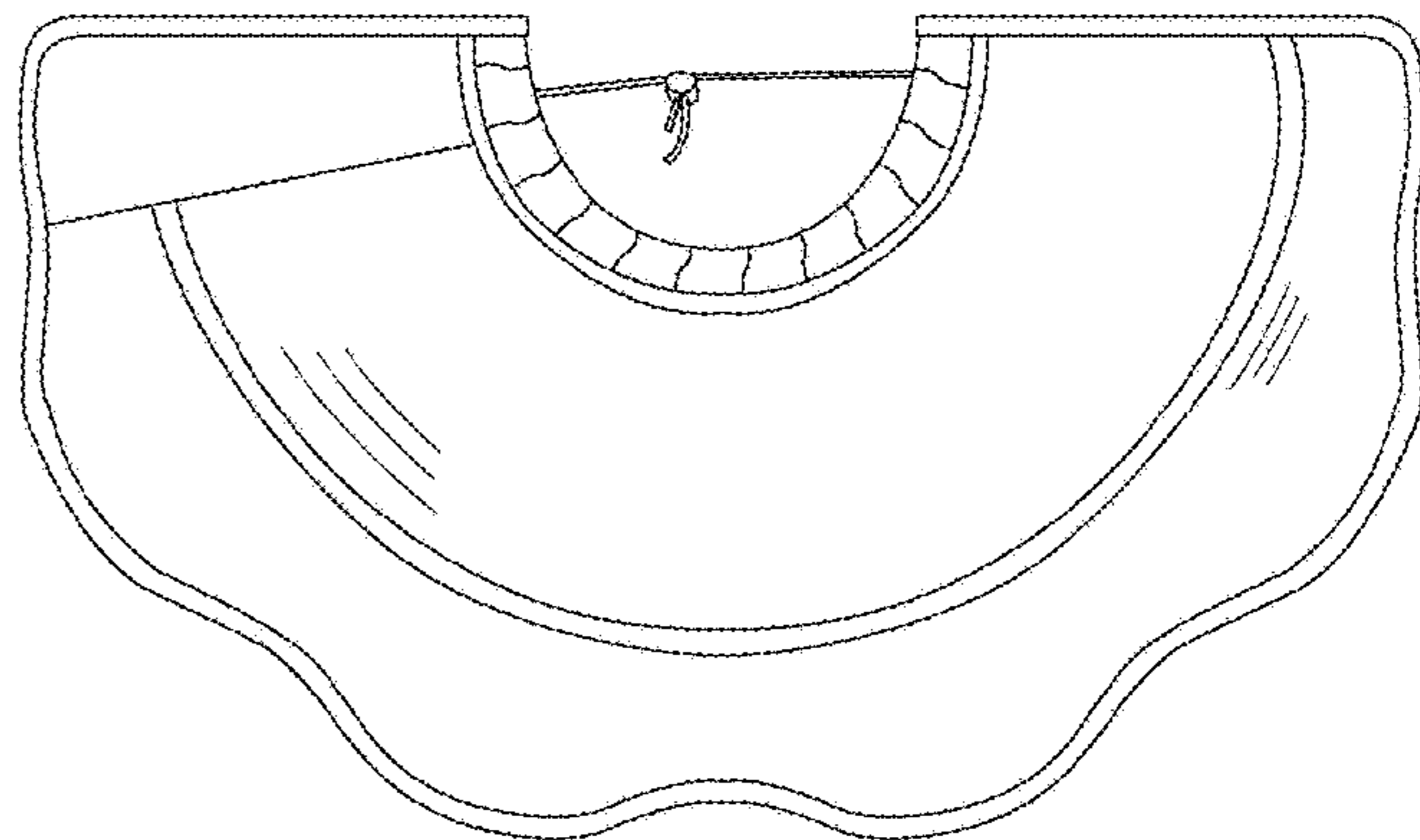
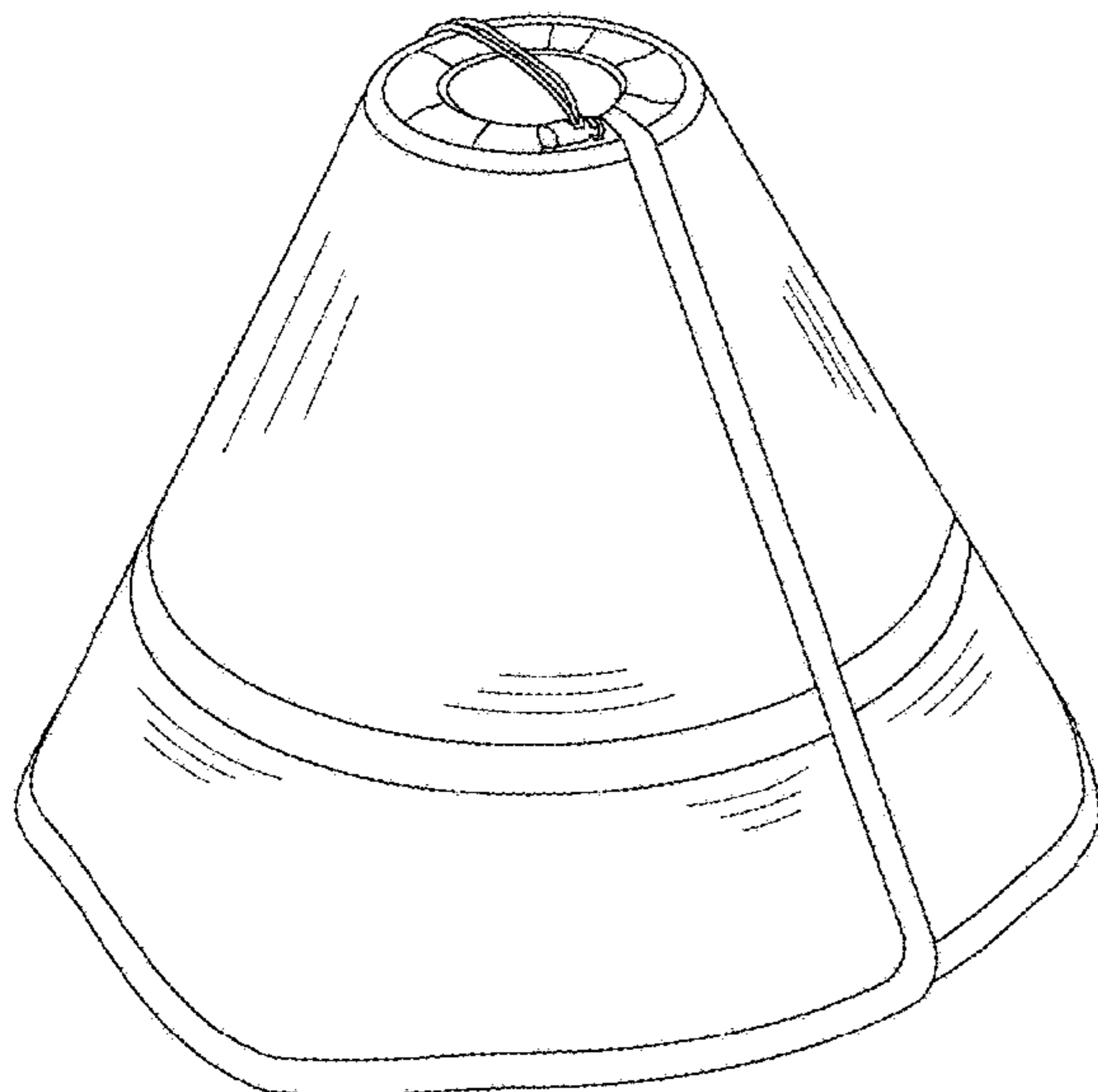
The ornamental design for a pet collar, as shown and described.

**DESCRIPTION**

FIG. 1 is a perspective view of a pet collar, shown closed in a first configuration.  
FIG. 2 is a front view of the pet collar of FIG. 1.  
FIG. 3 is a rear view of the pet collar of FIG. 1.  
FIG. 4 is a left side view of the pet collar of FIG. 1.  
FIG. 5 is a right side view of the pet collar of FIG. 1.  
FIG. 6 is a top view of the pet collar of FIG. 1.  
FIG. 7 is a bottom view of the pet collar of FIG. 1; and, FIG. 8 is a top view of the pet collar of FIG. 1, shown open and flattened in a second configuration.  
Any shade lines are not features of the claimed design but are utilized to illustrate the surface contours of the pet collar design in the drawings.

**1 Claim, 8 Drawing Sheets**

- (56) **References Cited**
- U.S. PATENT DOCUMENTS**
- 4,200,057 A \* 4/1980 Agar ..... A01K 15/04  
119/815  
5,012,764 A \* 5/1991 Fick ..... A61D 9/00  
119/856  
5,349,927 A \* 9/1994 Campbell ..... A01K 13/006  
119/815  
5,797,354 A \* 8/1998 Marschall ..... A61D 9/00  
119/815  
D409,339 S \* 5/1999 Silano ..... D30/119  
D419,716 S \* 1/2000 Parrochia ..... D26/118  
D475,817 S \* 6/2003 Heyek ..... D30/151  
D506,296 S 6/2005 Driver  
D540,972 S \* 4/2007 Tortel ..... D26/118  
D562,505 S \* 2/2008 Fujita ..... D30/152  
D632,851 S 2/2011 Maroney  
D647,669 S 10/2011 Martinez  
D664,721 S \* 7/2012 Martinez ..... D30/152



(56)

**References Cited**

U.S. PATENT DOCUMENTS

D818,335 S \* 5/2018 Walters ..... D15/138  
D844,260 S 3/2019 Cai  
D855,903 S \* 8/2019 Cai ..... D30/152  
D884,442 S \* 5/2020 Taylor ..... A01K 15/04  
D8/1  
D906,603 S 12/2020 Vaccaro  
D940,407 S \* 1/2022 Douglas ..... D30/152  
D957,068 S 7/2022 Li  
2017/0280681 A1\* 10/2017 Jurgens ..... A01K 15/04

OTHER PUBLICATIONS

Supet Dog Cone for Dogs After Surgery, available in Amazon.ca, date first available Oct. 10, 2022 [online], [site visited Jan. 20, 2023], Available from the internet URL: <https://www.amazon.ca/Supet-Comfortable-Elizabethan-Adjustable-Recovery/dp/B0B6ZYY11J?th=1> (Year: 2022).\*

\* cited by examiner

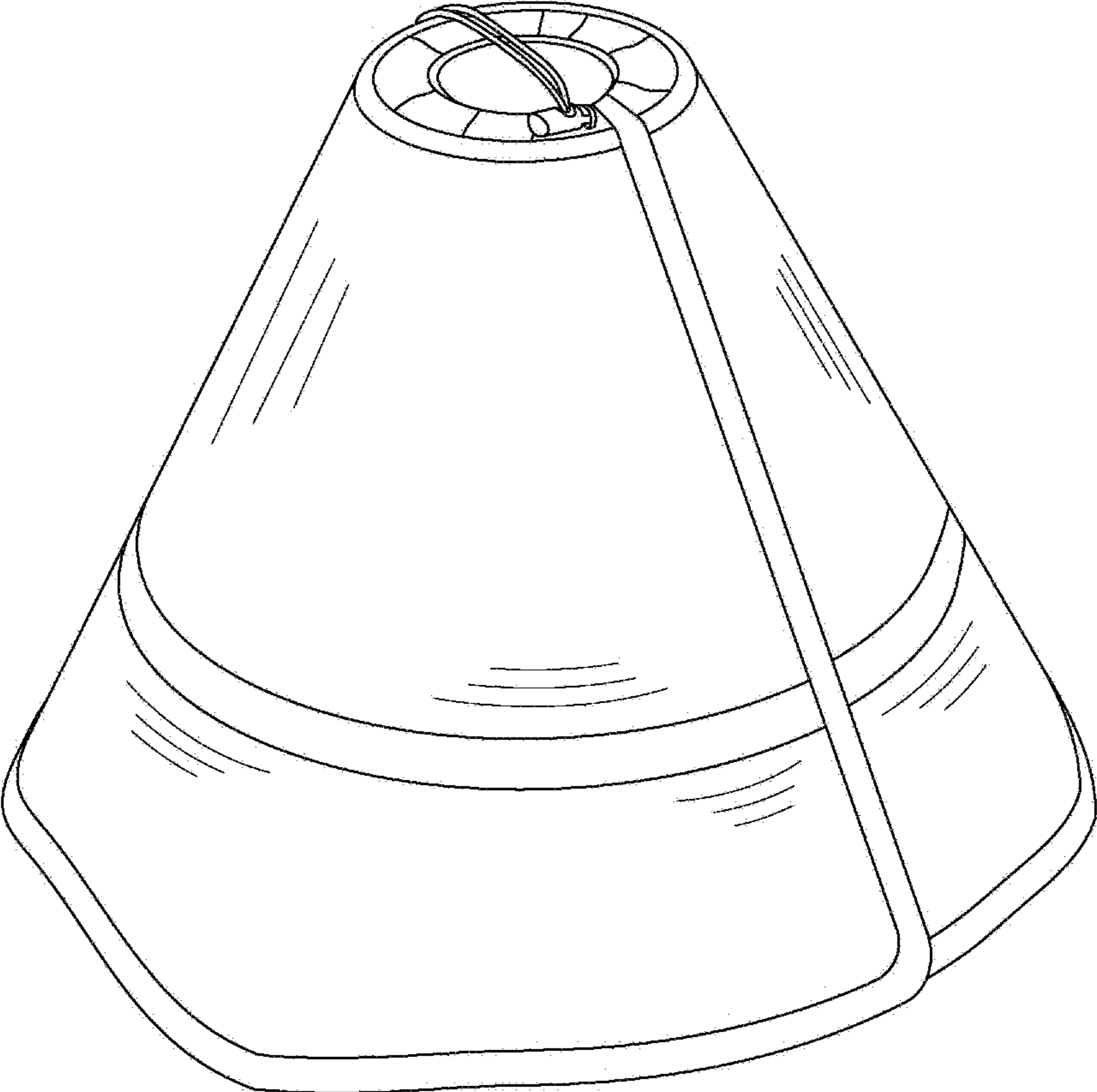


FIG.1

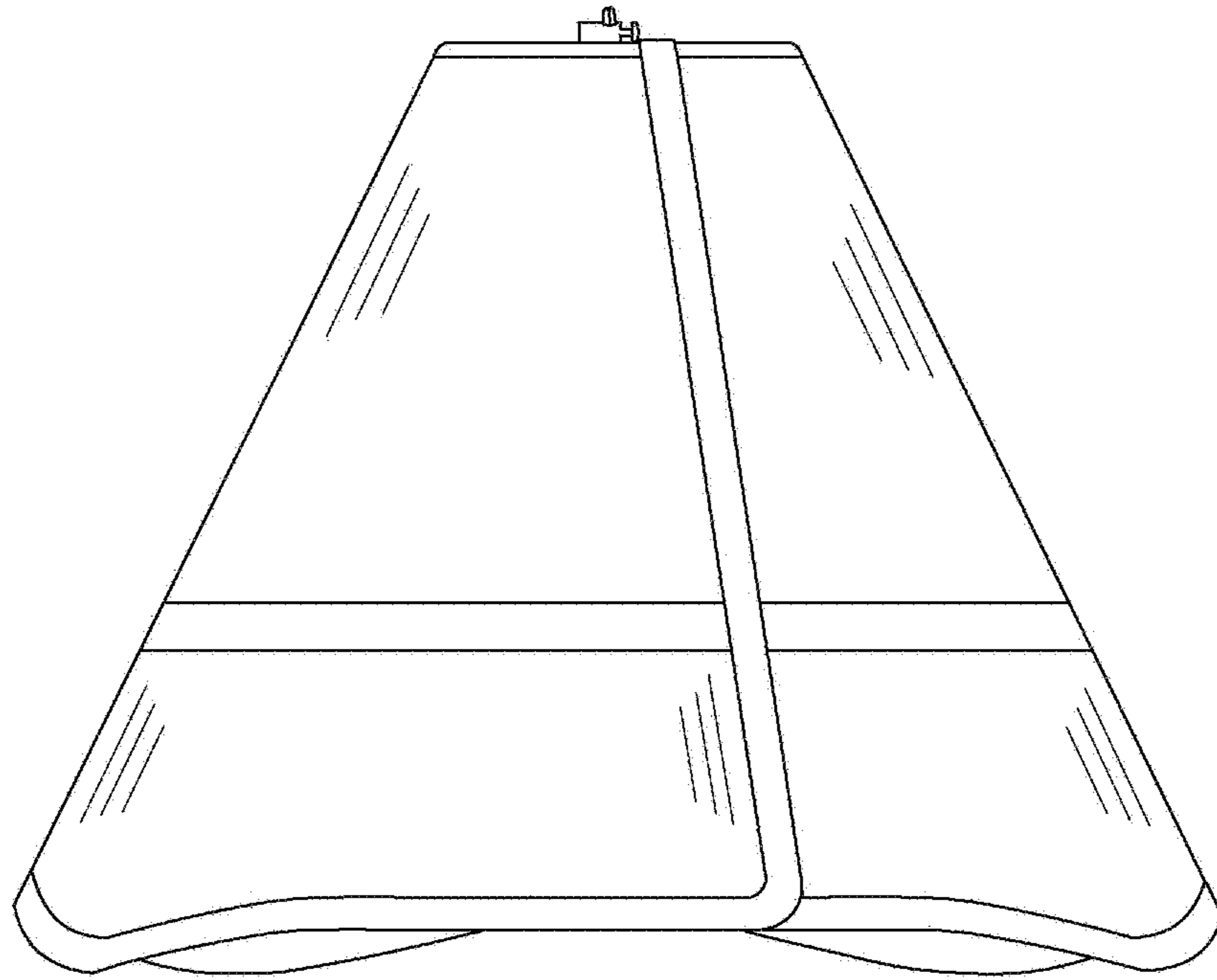


FIG.2

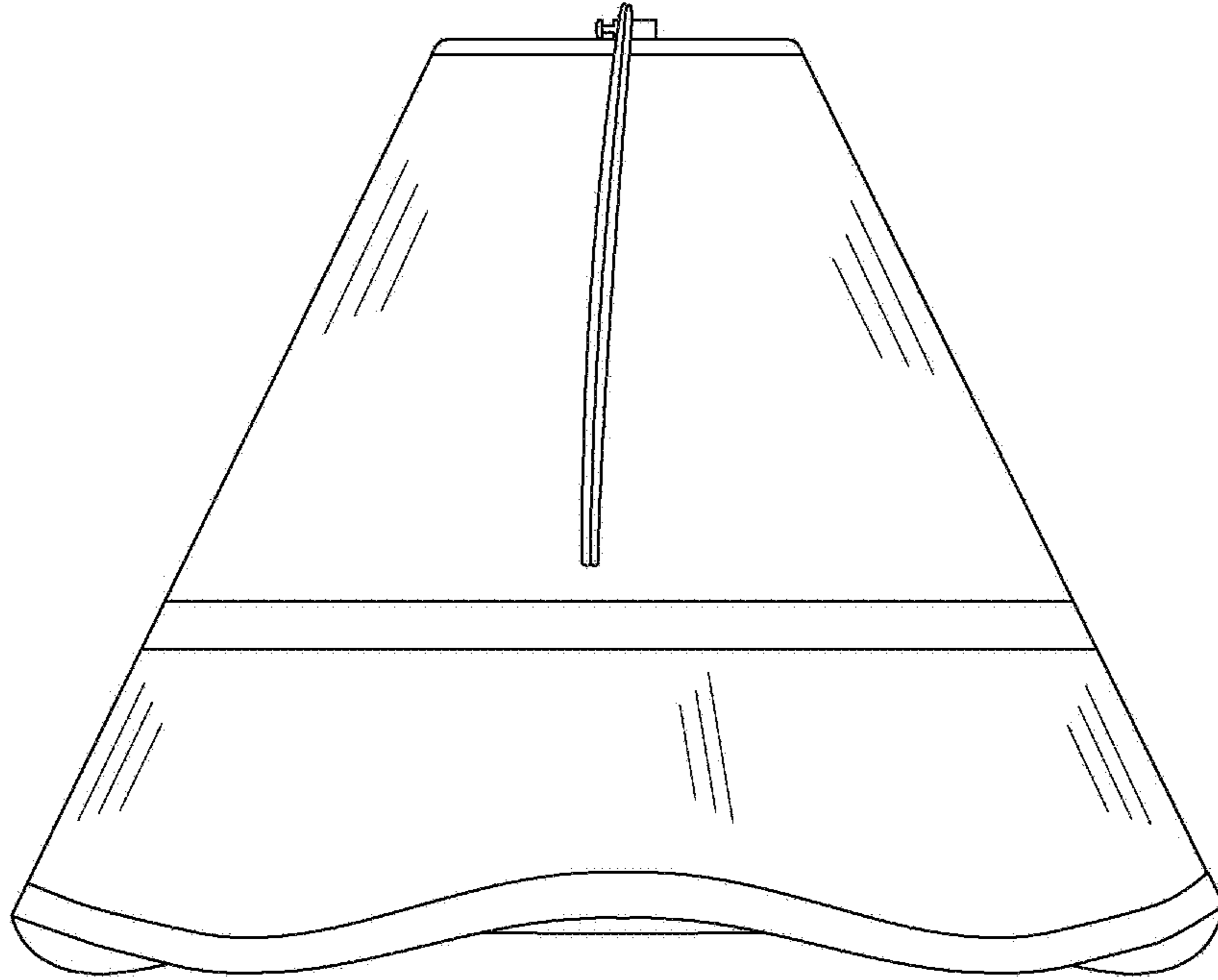


FIG.3

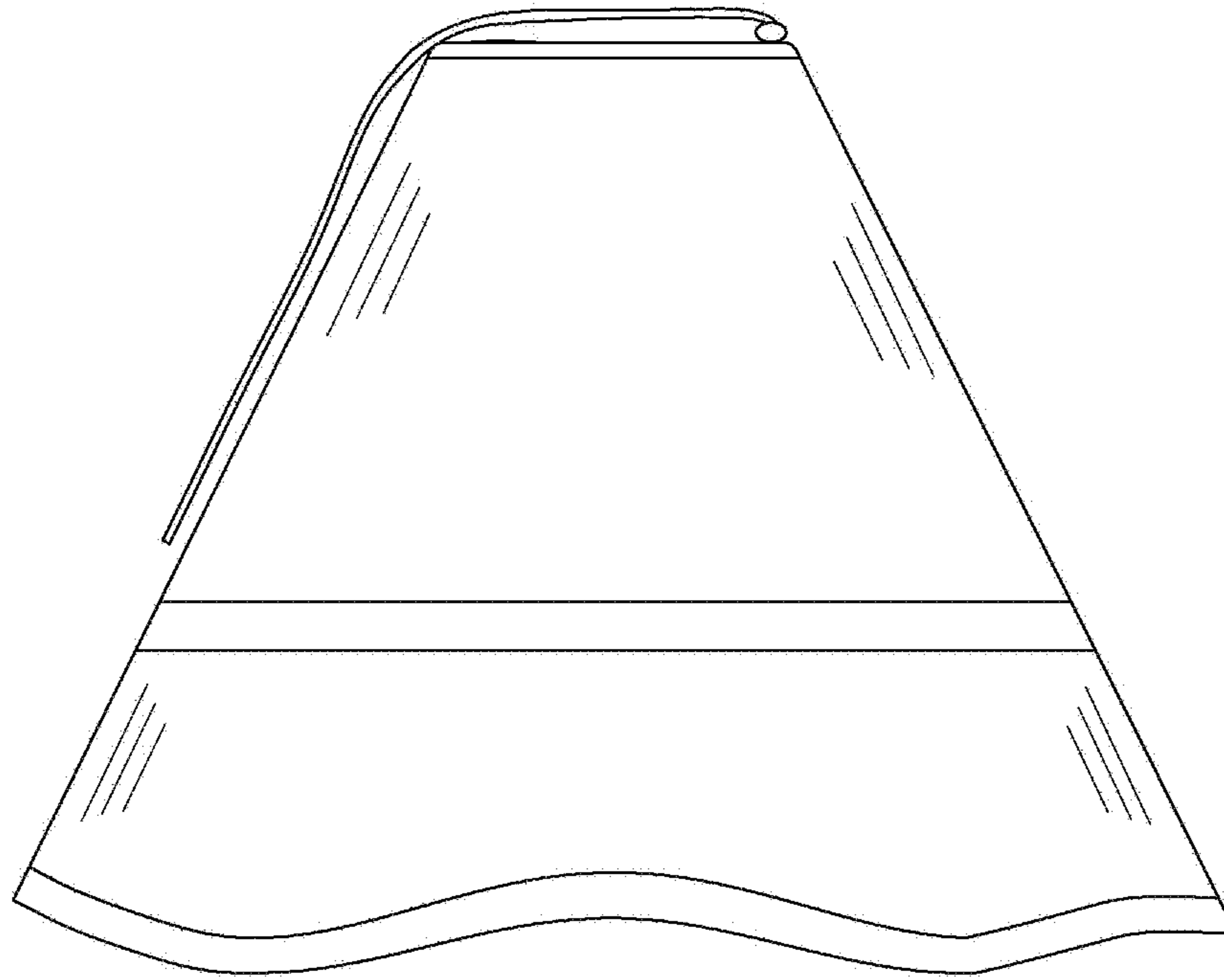


FIG.4

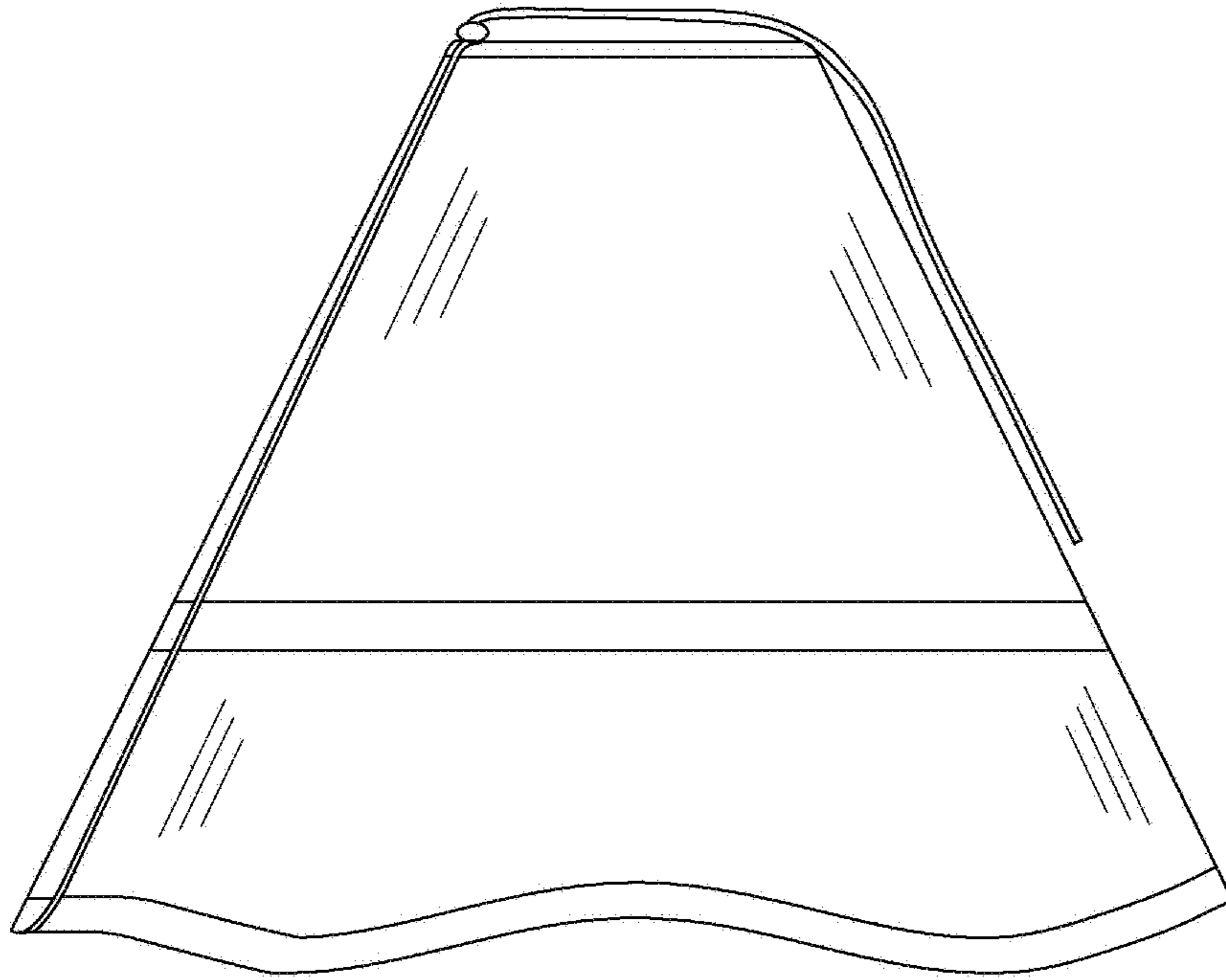


FIG.5

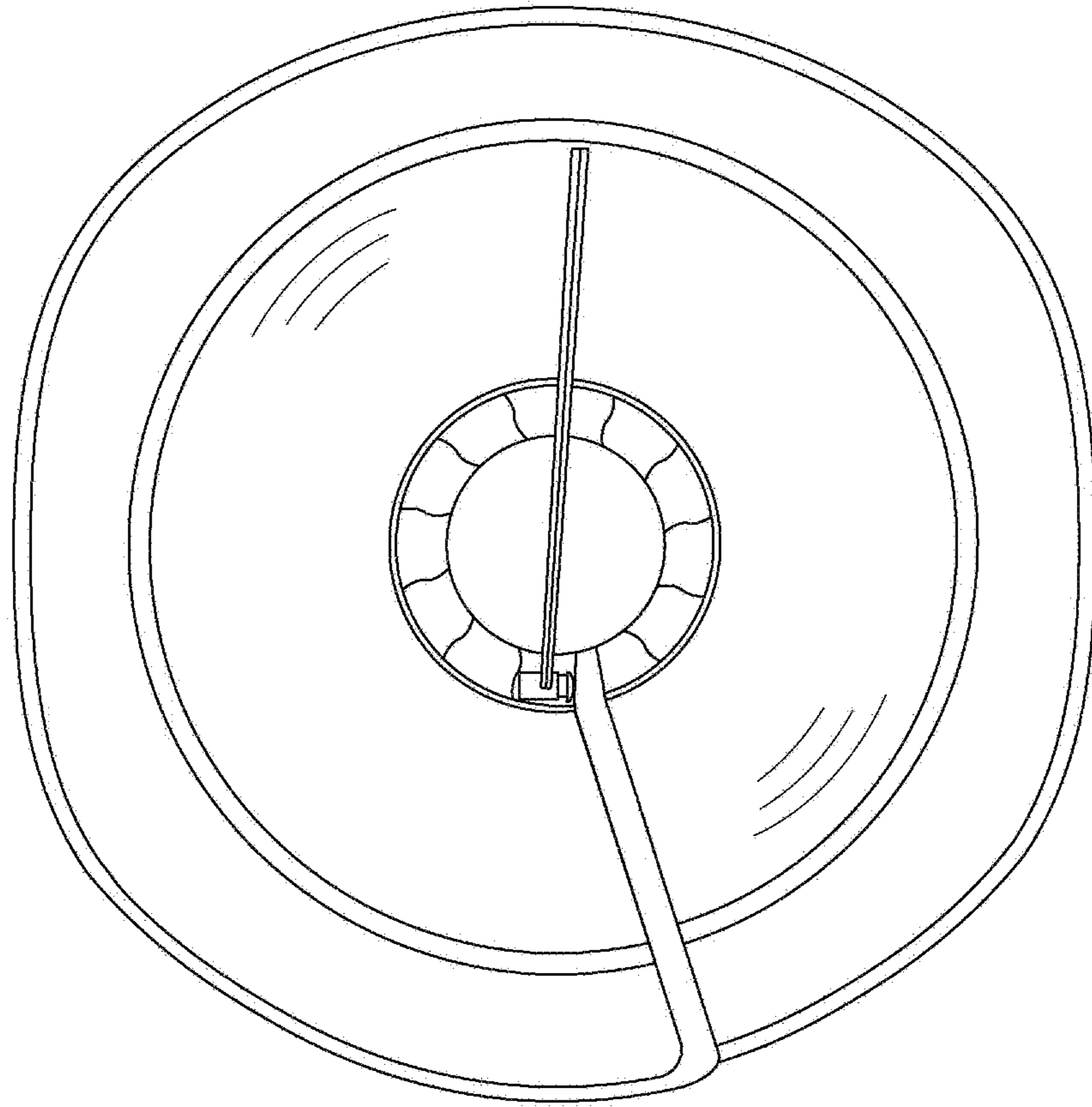


FIG.6



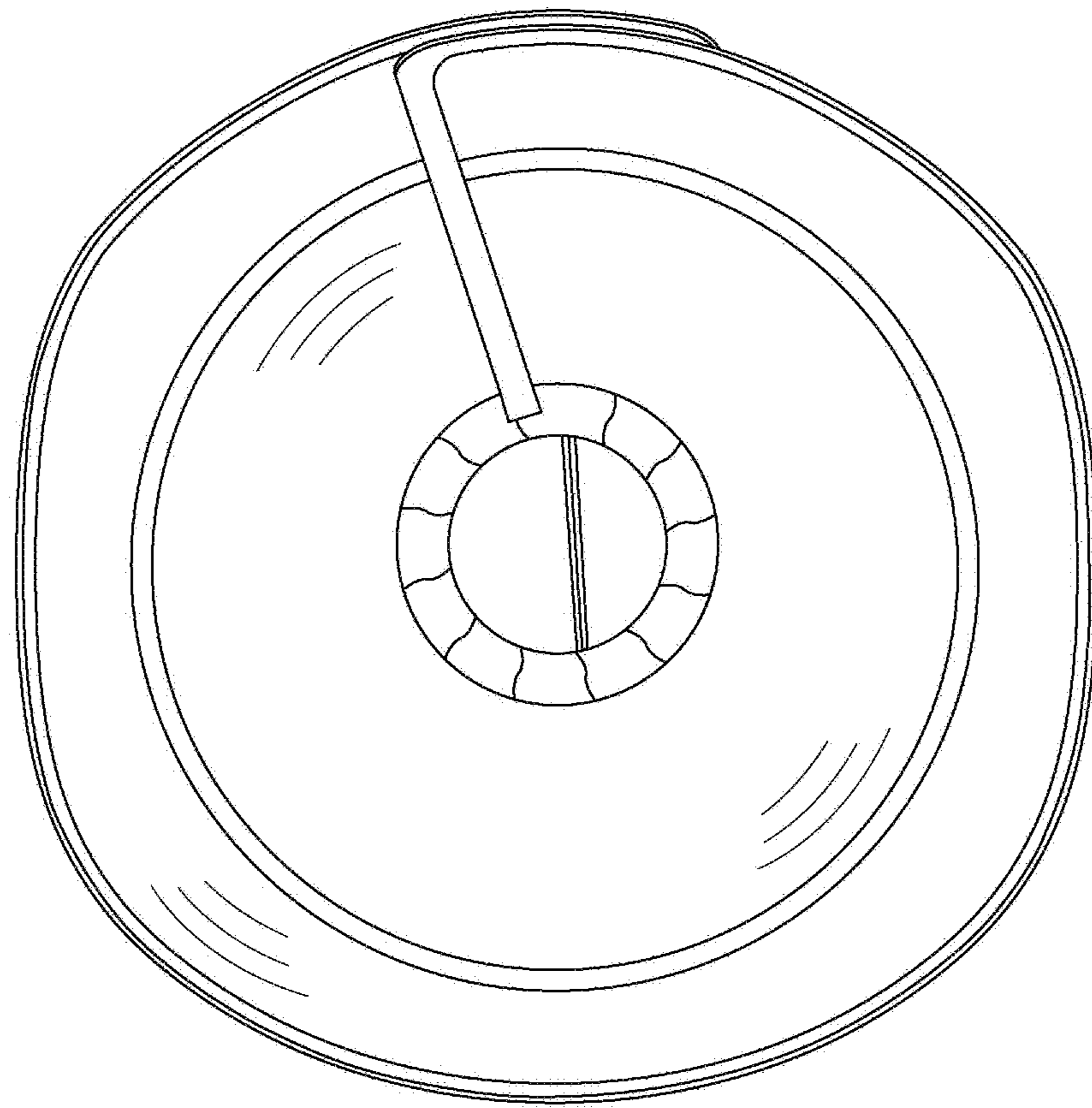


FIG.7

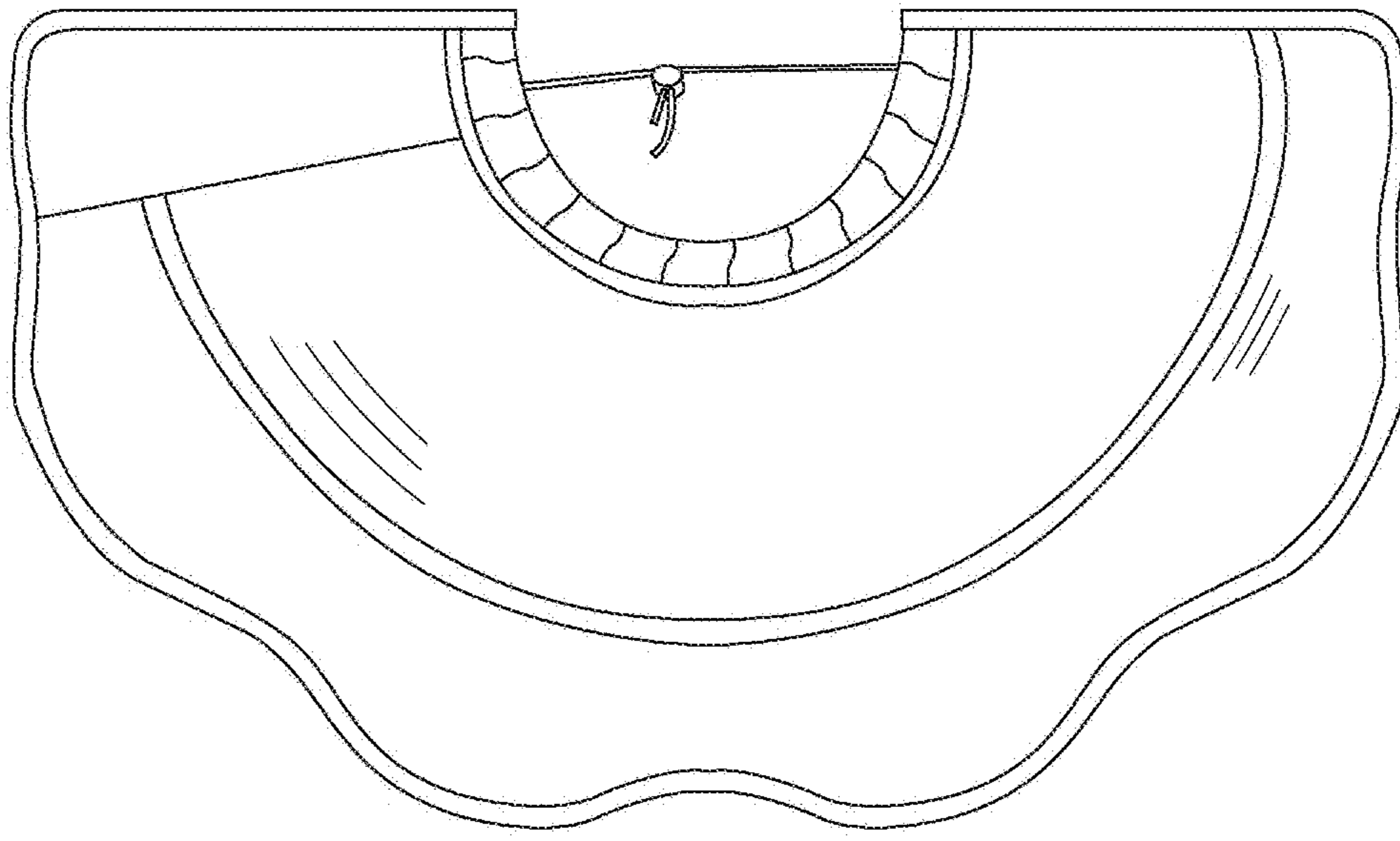


FIG.8