



US00D989412S

(12) **United States Design Patent**
Wang

(10) **Patent No.:** **US D989,412 S**
(45) **Date of Patent:** **** Jun. 13, 2023**

(54) **DOUBLE-TIER PET WATER FOUNTAIN**

9,036,028 B2 5/2015 Buehler
D738,579 S 9/2015 Owens et al.
9,158,975 B2 10/2015 Lipton et al.

(71) Applicant: **SHENZHEN LIYI99.COM, LTD.**,
Shenzhen (CN)

(Continued)

(72) Inventor: **Xuzhong Wang**, Guangdong (CN)

FOREIGN PATENT DOCUMENTS

(73) Assignee: **SHENZHEN LIYI99.COM, LTD.**,
Shenzhen (CN)

CN 304594847 4/2018
CN 304644756 S 5/2018

(Continued)

(**) Term: **15 Years**

OTHER PUBLICATIONS

(21) Appl. No.: **29/734,330**

“Veken 100oz 3L Pet Fountain” available Aug. 25, 2020, [online],
[site visited Sep. 16, 2021]. Retrieved from Internet, URL:https://
www.amazon.com/Veken-100oz-Fountain-84oz-2-5L/dp/
B08GLNQ243 (Year: 2020).*

(22) Filed: **May 11, 2020**

(51) **LOC (14) Cl.** **30-03**

(52) **U.S. Cl.**

USPC **D30/132**

(58) **Field of Classification Search**

USPC D30/121, 122, 129–133, 199; 119/51.01,
119/51.02, 51.03, 51.11, 51.15, 51.5, 70,
119/52.1, 52.3, 52.4, 53, 53.5, 54, 57.92,
119/61.1, 61.3, 61.5, 61, 61.53, 61.54,
119/61.55, 68, 72, 73, 74, 75, 78, 174

CPC . A01K 5/00; A01K 7/00; A01K 39/02; A01K
39/04; A01K 39/0213; A01K 5/0114;
A01K 5/0121; A01K 5/0135; A01K 7/005

See application file for complete search history.

(Continued)

Primary Examiner — Katrina N Gonzalez

(74) *Attorney, Agent, or Firm* — Marshall, Gerstein &
Borun LLP

(57)

CLAIM

The ornamental design for a double-tier pet water fountain,
as shown and described.

DESCRIPTION

FIG. 1 is a front perspective view of a double-tier pet
fountain, showing my design.

FIG. 2 is a front elevation view thereof.

FIG. 3 is a rear elevation view thereof.

FIG. 4 is a right side elevation view thereof.

FIG. 5 is a left side elevation view thereof.

FIG. 6 is a top plan view thereof; and,

FIG. 7 is a bottom plan view thereof.

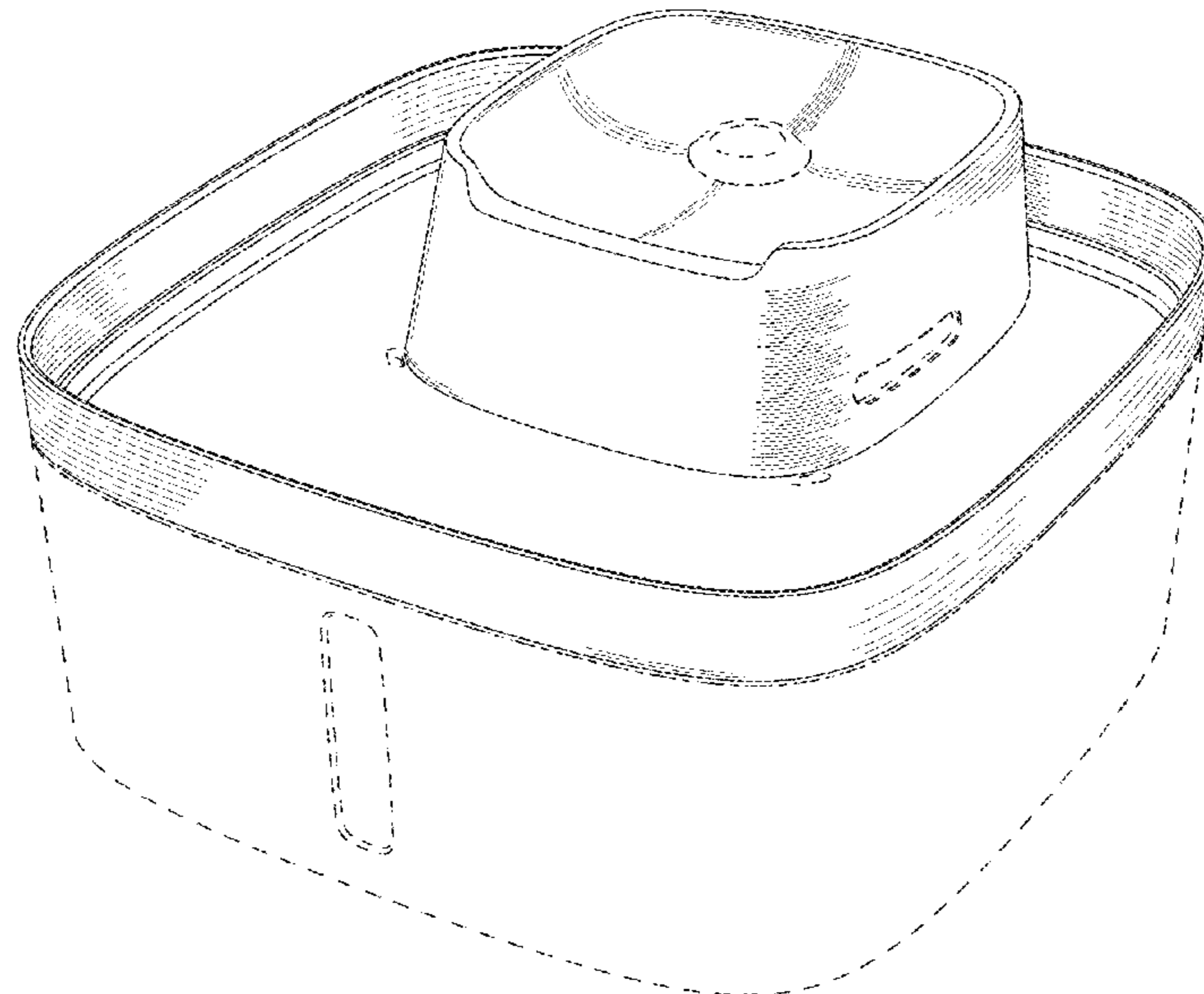
The broken lines illustrate portions of the double-tier pet
water fountain that form no part of the claimed design. The
dash-dot broken lines represent the bounds of the claim and
form no part of the claimed design.

(56) **References Cited**

U.S. PATENT DOCUMENTS

5,965,861 A 10/1999 Addy et al.
D559,472 S 1/2008 Abinanti et al.
7,516,888 B1 4/2009 Kundu et al.
7,631,808 B2 12/2009 Kundu et al.
D648,492 S 11/2011 Able
D681,887 S 5/2013 Fang
D681,888 S 5/2013 Fang
D689,245 S * 9/2013 Rowe D30/132
8,564,661 B2 10/2013 Lipton et al.
D704,903 S * 5/2014 Fang D30/132

1 Claim, 7 Drawing Sheets



(56)

References Cited

U.S. PATENT DOCUMENTS

9,473,747 B2 10/2016 Kobres et al.
 D820,533 S 6/2018 Huang
 10,064,502 B1 9/2018 Gyori et al.
 D834,367 S 11/2018 Tsai
 10,165,753 B1* 1/2019 Huang A01K 7/02
 D841,116 S 2/2019 Tappeiner
 10,266,196 B1 4/2019 Sinha
 10,268,983 B2 4/2019 Kumar et al.
 D849,336 S 5/2019 Huang
 D849,337 S 5/2019 Huang
 D850,731 S 6/2019 Wu
 D894,500 S 8/2020 Cui
 D912,333 S 3/2021 Wang
 D912,910 S * 3/2021 Xue D30/132
 D912,911 S * 3/2021 Wang D30/132
 D913,604 S * 3/2021 Wang D30/132
 D914,300 S 3/2021 Wu
 10,950,099 B1 3/2021 Schoner
 10,956,721 B2 3/2021 Tusch
 D918,489 S * 5/2021 Sayers D30/132
 D918,491 S 5/2021 Milsom
 D927,798 S 8/2021 Tao
 D928,423 S * 8/2021 Tao D30/132
 D935,550 S 11/2021 Wang
 2002/0113123 A1 8/2002 Otto et al.
 2003/0040925 A1 2/2003 Gutta et al.
 2004/0130620 A1 7/2004 Buehler et al.
 2008/0019589 A1 1/2008 Yoon et al.
 2010/0014717 A1 1/2010 Rosenkrantz
 2012/0137979 A1* 6/2012 Lipscomb A01K 7/02
 119/74
 2012/0320199 A1 12/2012 Kundu et al.
 2013/0087102 A1* 4/2013 Lipscomb A01K 7/00
 119/74
 2014/0014722 A1 1/2014 Goncalves et al.
 2014/0161316 A1 6/2014 Golan et al.
 2014/0226855 A1 8/2014 Savvides et al.
 2014/0368626 A1 12/2014 John Archibald et al.
 2015/0012396 A1 1/2015 Puerini et al.
 2017/0169297 A1 6/2017 Bernal et al.
 2017/0318140 A1 11/2017 Sinha et al.
 2019/0205643 A1 7/2019 Liu et al.

2020/0151692 A1 5/2020 Gao et al.
 2020/0302510 A1 9/2020 Chachek et al.
 2021/0144963 A1* 5/2021 Wang C02F 1/283
 2021/0144964 A1* 5/2021 Wang B01D 39/1623
 2021/0217017 A1 7/2021 Scott et al.

FOREIGN PATENT DOCUMENTS

CN 304696623 S 6/2018
 CN 304910296 S 11/2018
 CN 305015613 S 1/2019
 CN 305526648 S 12/2019
 CN 306193077 S 11/2020
 CN 306219870 S 12/2020
 CN 306339168 S 2/2021
 CN 306427295 S 3/2021
 CN 306427296 S 3/2021
 CN 306465369 S 4/2021
 CN 306484635 S 4/2021
 CN 306544955 S 5/2021
 CN 306674099 7/2021
 CN 306897262 10/2021
 CN 306946186 11/2021
 JP D1693078 11/2020
 KR 30-1024394 9/2019

OTHER PUBLICATIONS

“Veken 100oz 3L Pet Fountain Amazon” available Jul. 3, 2020, [online], [site visited Sep. 16, 2021]. Retrieved from Internet, URL: https://www.amazon.com/dp/B08CB16XDC/ref=sspa_dk_detail_3 (Year: 2020).
 Office Action in U.S. Appl. No. 17/401,494 dated Dec. 6, 2021, 32 pages.
 Office Action in U.S. Appl. No. 17/401,498 dated Nov. 29, 2021, 12 pages.
 Loomla Cat Water Fountain Jan. 31, 2021 found on Oct. 13, 2021 at: <https://www.amazon.com/Loomla-Automaticwitchable-Replacement-VC1471/dp/B08VJ53GTT/> (Year: 2021).
 Veken Pet Fountain Nov. 12, 2020 found on Sep. 30, 2021 at: <https://www.amazon.com/dp/B08NC54VZN/> (Year: 2020).

* cited by examiner

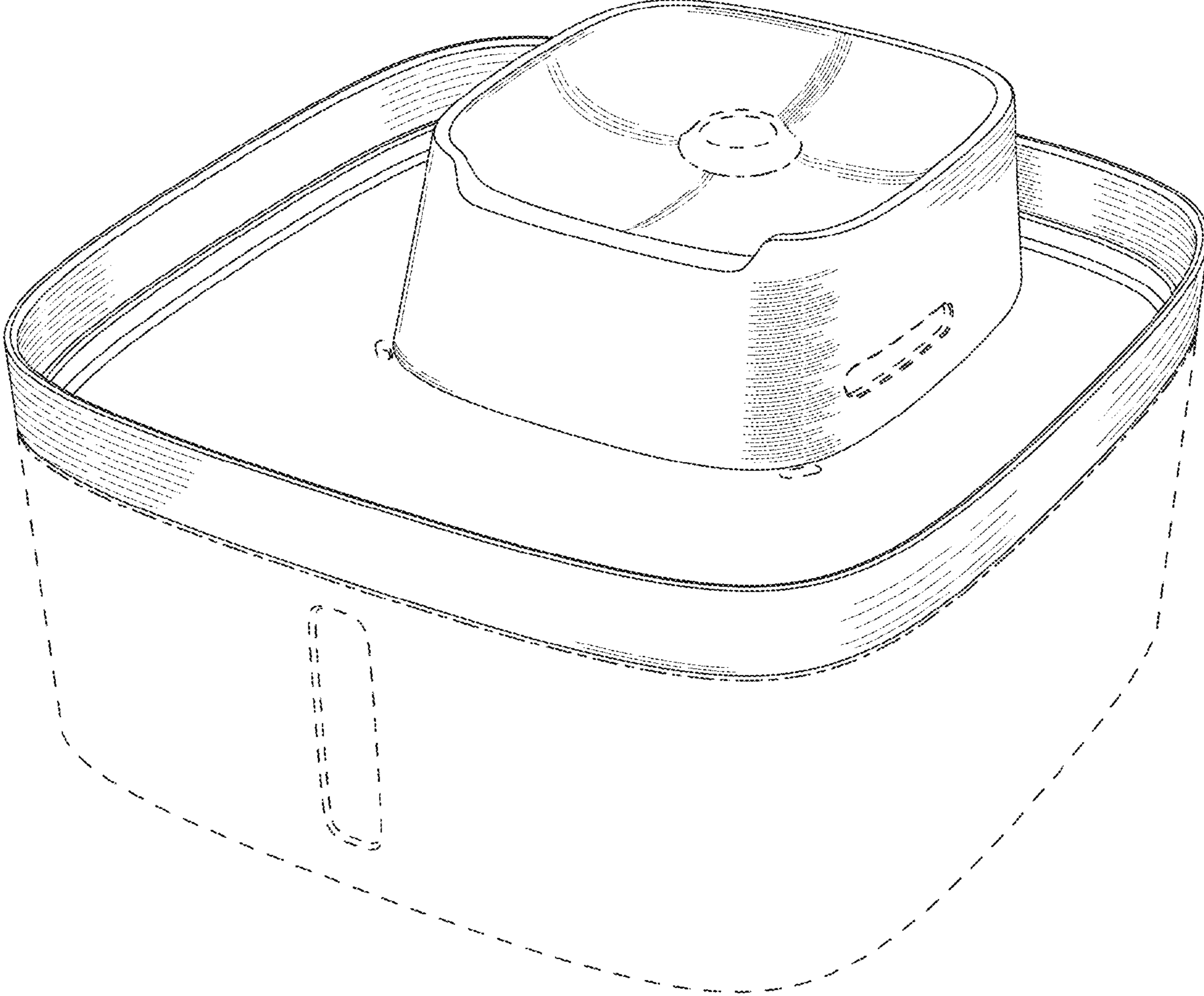


Fig. 1

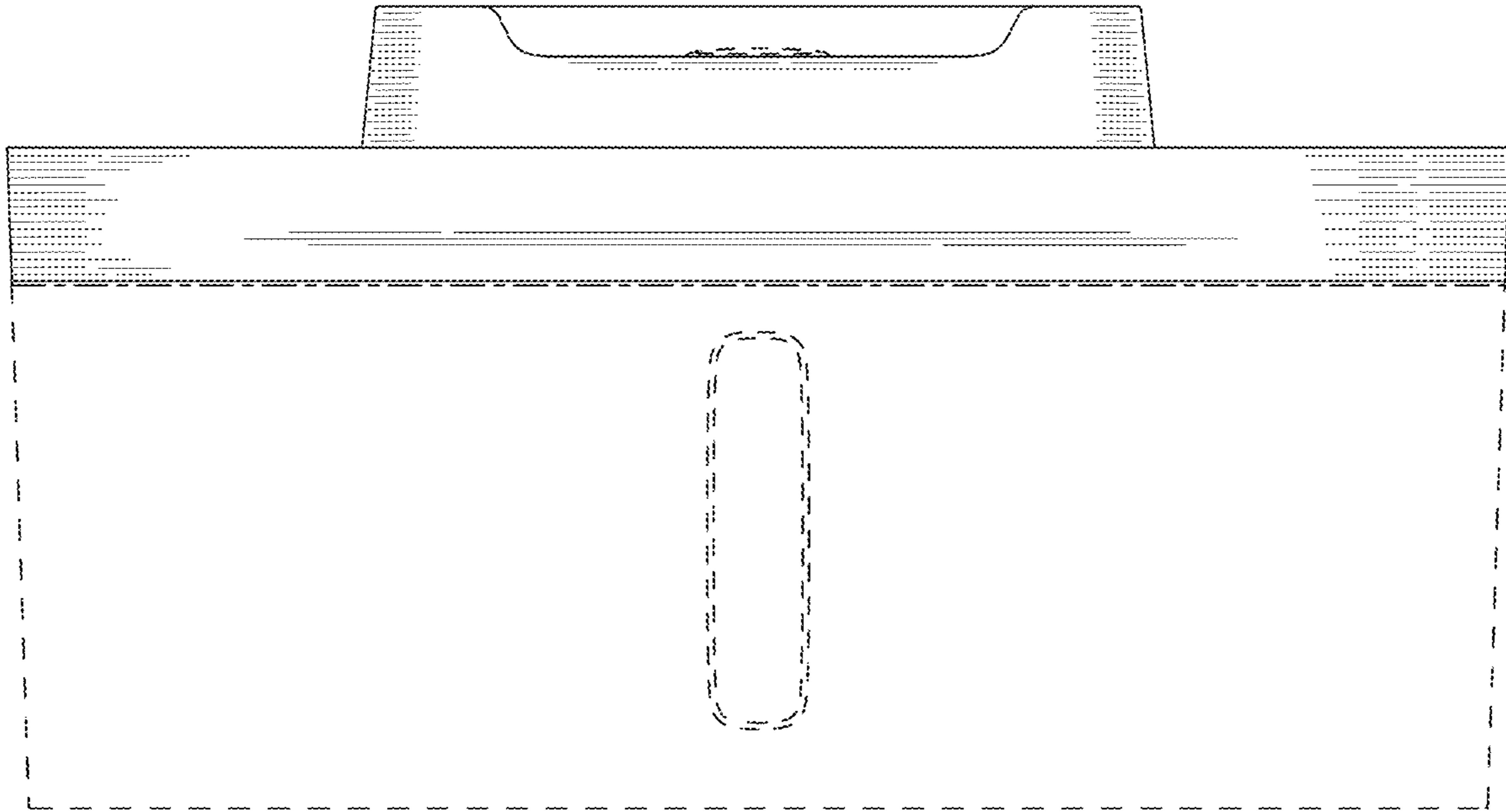


Fig. 2

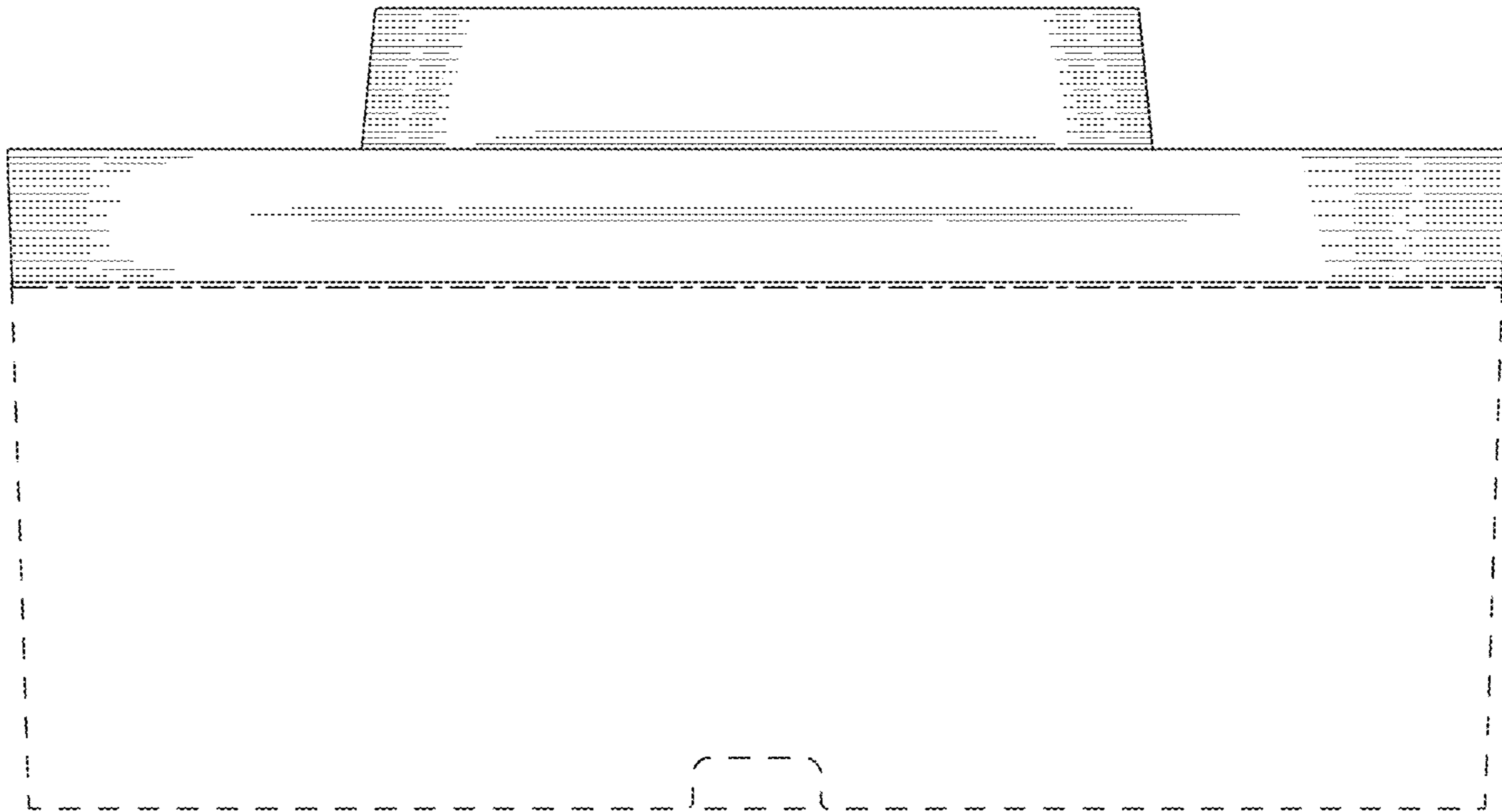


Fig. 3

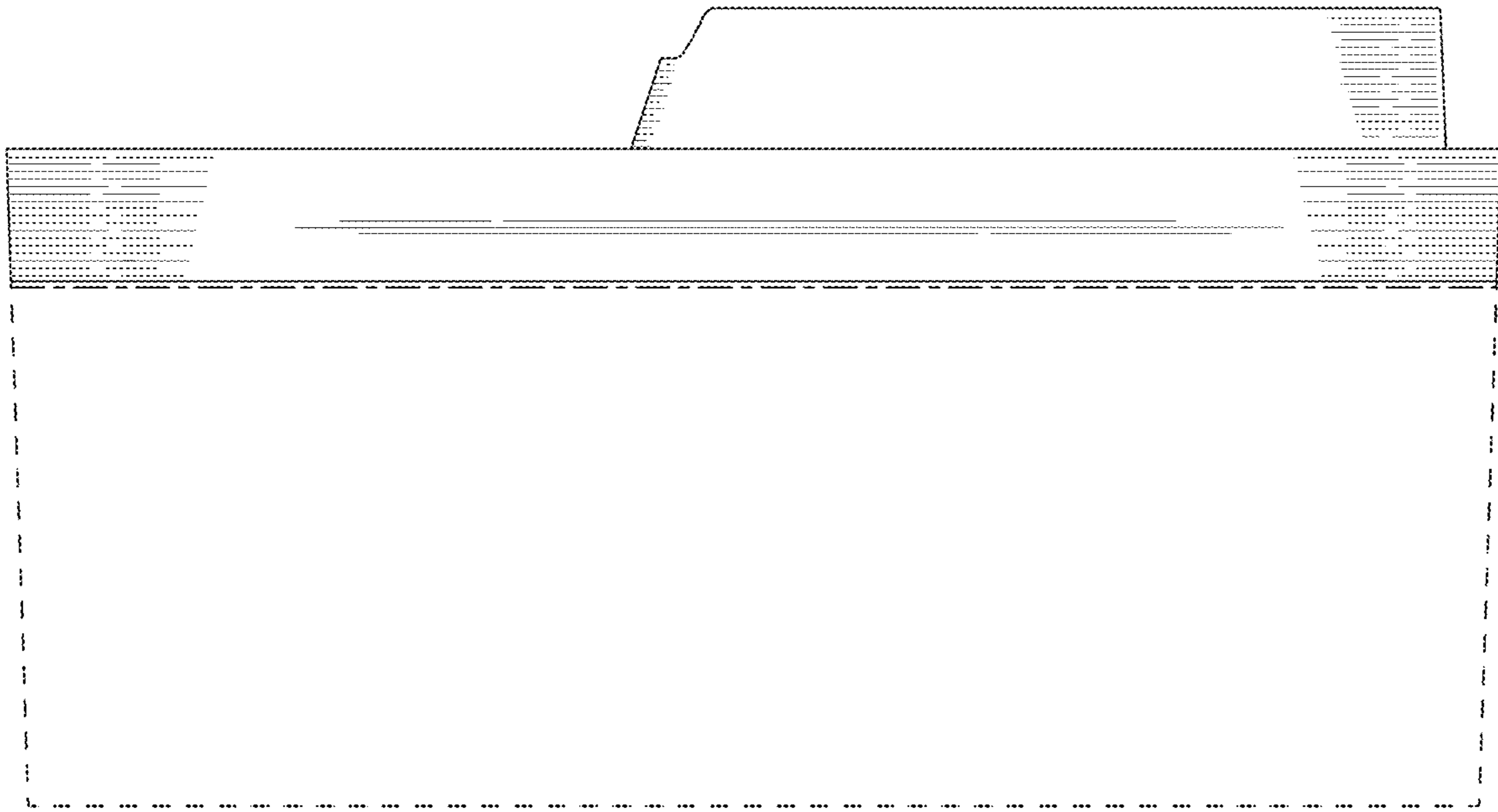


Fig. 4

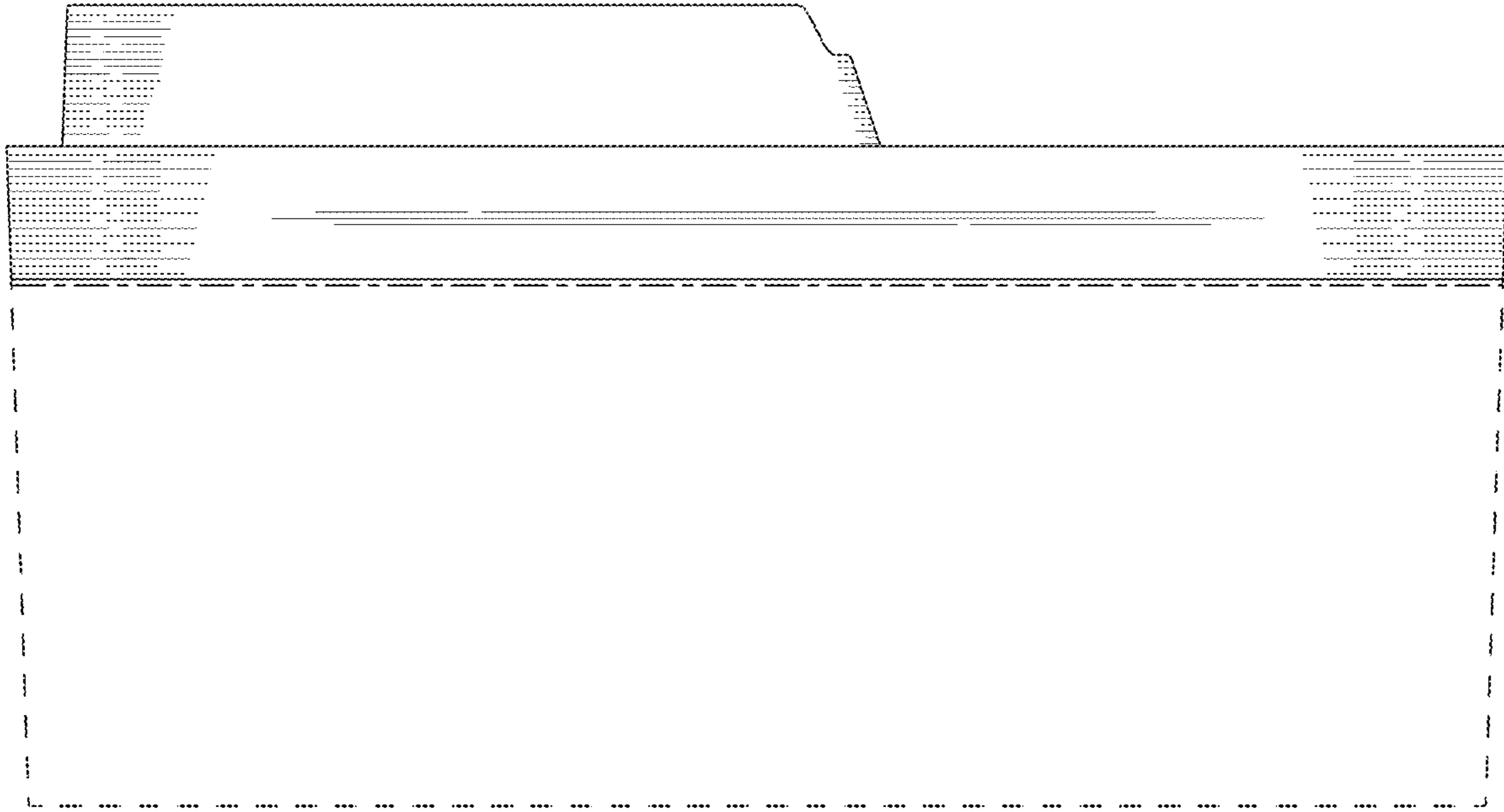


Fig. 5

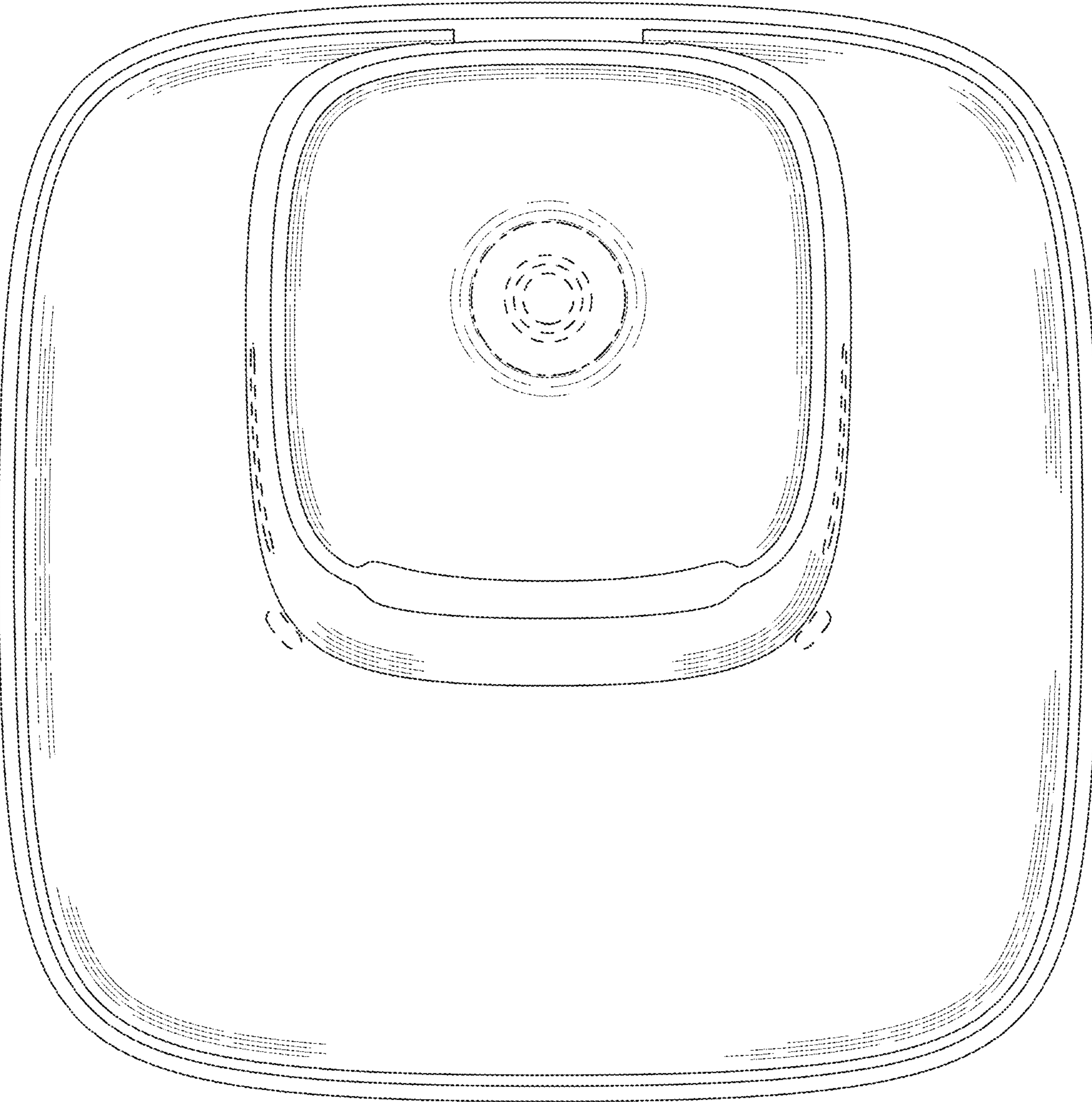


Fig. 6

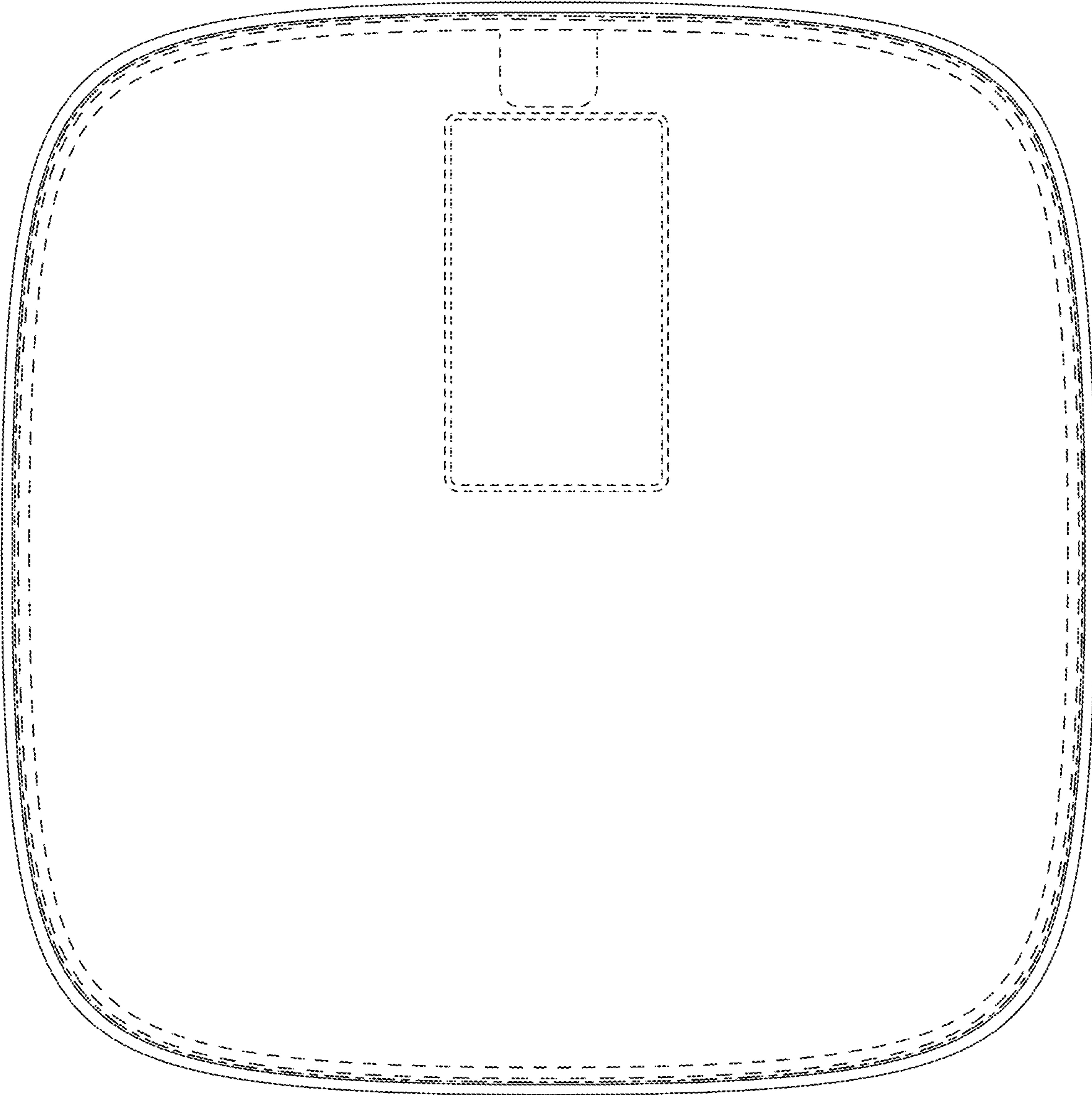


Fig. 7