



US00D989411S

(12) **United States Design Patent** (10) **Patent No.:** **US D989,411 S**  
**Sun** (45) **Date of Patent:** **\*\* Jun. 13, 2023**

(54) **PET FEEDER**

1/04; B67D 1/00; B67D 1/02; B67D 1/0871; B67D 1/0802; A47J 41/0033; A47J 41/005; A47J 41/0088;

(71) Applicant: **Shenzhen Shouzheng Chuqi Technology Co., Ltd., Shenzhen (CN)**

(Continued)

(72) Inventor: **Mengyi Sun, Shenzhen (CN)**

(56) **References Cited**

(\*\*) Term: **15 Years**

U.S. PATENT DOCUMENTS

(21) Appl. No.: **29/888,951**

8,161,911 B2 \* 4/2012 Jalbert ..... A01K 7/02  
119/59

(22) Filed: **Apr. 6, 2023**

8,166,922 B2 \* 5/2012 Jalbert ..... A01K 11/006  
119/59

(51) **LOC (14) Cl.** ..... **30-07**

(Continued)

(52) **U.S. Cl.**

USPC ..... **D30/122**

*Primary Examiner* — Susan Moon Lee

(58) **Field of Classification Search**

USPC ..... D30/121, 122, 129–133, 120; 119/61.5, 119/51.01, 61.56, 51.03, 59, 62, 63, 51.5, 119/57.8, 74, 61.54, 61.55, 53, 53.5, 75, 119/56.2, 51.02, 51.11, 51.12, 57.1, 52.1, 119/515; 312/204; 248/151, 188; 108/156, 153.1–157; 220/23.87, 630, 220/737, 743, 9.4, 495.01, 574, 212, 255, 220/23.83; 206/515; D7/586, 543, D7/550.1, 587, 505, 584, 545, 500, D7/553.1–553.8, 546, 555, 556, 504, 565, D7/562, 602, 605, 312, 313, 320, 307, D7/306, 309, 354, 311, 399, 397, 323, D7/332, 331, 347, 346, 322, 318, 317, D7/316, 619.1; D9/429; 43/109; D22/122; 99/430, DIG. 15, 280, 285, 99/312; 222/209, 131, 363, 349, 517, 222/153.13, 401, 1, 146.5, 23, 54, 64, 51, 222/156, 399, 400.8; 219/438, 439, 441, 219/385, 386, 402, 407; 210/94, 184, 210/474, 477

(74) *Attorney, Agent, or Firm* — Daniel M. Cohn; Howard M. Cohn

CPC ..... A01K 5/02; A01K 5/0225; A01K 5/0114; A01K 5/025; A01K 5/0266; A01K 5/0275; A01K 5/0283; A01K 5/0291; A01K 5/0258; A01K 5/0142; A01K 5/0233; A01K 29/00; A01K 7/00; G01F 11/24; G01F 23/02; B67D 1/0425; B67D

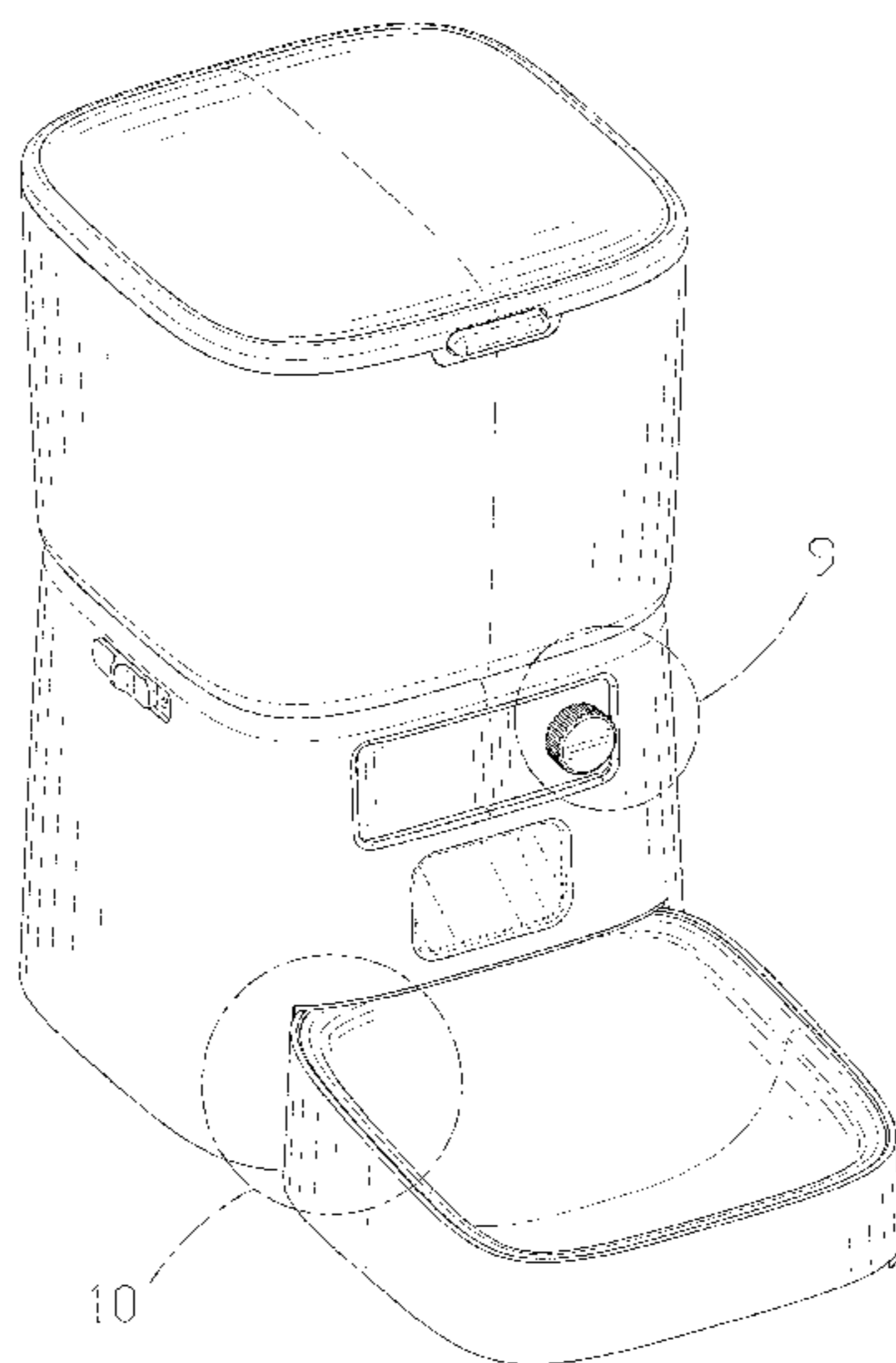
(57) **CLAIM**

The ornamental design for a pet feeder, as shown and described.

**DESCRIPTION**

FIG. 1 is a perspective view of a pet feeder showing my new design;  
FIG. 2 is another perspective view thereof;  
FIG. 3 is a front elevational view thereof;  
FIG. 4 is a rear elevational view thereof;  
FIG. 5 is a left side elevational view thereof;  
FIG. 6 is a right side elevational view thereof;  
FIG. 7 is a top plan view thereof;  
FIG. 8 is a bottom plan view thereof;  
FIG. 9 is an enlarged view of portion 9 shown in FIG. 1;  
FIG. 10 is an enlarged view of portion 10 shown in FIG. 1; and,  
FIG. 11 is an enlarged view of portion 11 shown in FIG. 5.  
The dash-dash broken lines in the drawings depict portions of the pet feeder that form no part of the claimed design. The dot-dash broken lines represent boundaries of the enlarged portions and form no part of the claimed design.

**1 Claim, 11 Drawing Sheets**



(58) **Field of Classification Search**

CPC ..... A47J 41/0094; A47J 31/04; A47J 31/053;  
 B05B 11/00; B05B 11/0002; B05B  
 11/0005; B05B 11/001; C02F 1/003;  
 C02F 1/283; C02F 2307/02

See application file for complete search history.

(56) **References Cited**

U.S. PATENT DOCUMENTS

9,198,398 B2 \* 12/2015 Rogers ..... A01K 7/06  
 9,345,231 B2 \* 5/2016 Jalbert ..... A01K 5/02  
 D806,958 S \* 1/2018 Maloney ..... D30/122  
 D844,258 S \* 3/2019 Xu ..... D30/122  
 D885,686 S \* 5/2020 Chen ..... D30/122  
 D891,004 S \* 7/2020 Park ..... D30/122  
 D893,109 S \* 8/2020 Zeng ..... D30/122  
 D897,049 S \* 9/2020 Zeng ..... D30/121  
 D920,592 S \* 5/2021 Tang ..... D30/122  
 11,006,614 B2 \* 5/2021 Chen ..... A01K 29/005

D939,784 S \* 12/2021 Ren ..... D30/122  
 D940,404 S \* 1/2022 Dong ..... D30/122  
 D945,713 S \* 3/2022 Zeng ..... D30/122  
 D963,256 S \* 9/2022 Lin ..... D30/122  
 D963,957 S \* 9/2022 Yang ..... D30/122  
 D965,232 S \* 9/2022 Chen ..... D30/122  
 D969,416 S \* 11/2022 Ren ..... D30/122  
 D970,823 S \* 11/2022 He ..... D30/122  
 D973,287 S 12/2022 Zhao  
 D975,929 S \* 1/2023 Mahle ..... D30/122  
 D980,547 S 3/2023 Wang  
 2013/0213308 A1 \* 8/2013 Koskey, Jr. .... A01K 7/027  
 119/74  
 2013/0333622 A1 \* 12/2013 Jin ..... A01K 5/0291  
 119/51.01  
 2015/0143750 A1 \* 5/2015 Jalbert ..... A01K 5/025  
 49/25  
 2015/0145644 A1 \* 5/2015 Jalbert ..... A01K 5/02  
 340/5.61  
 2019/0059322 A1 \* 2/2019 Xu ..... A01K 7/02  
 2020/0100460 A1 \* 4/2020 Chen ..... A01K 5/0225

\* cited by examiner

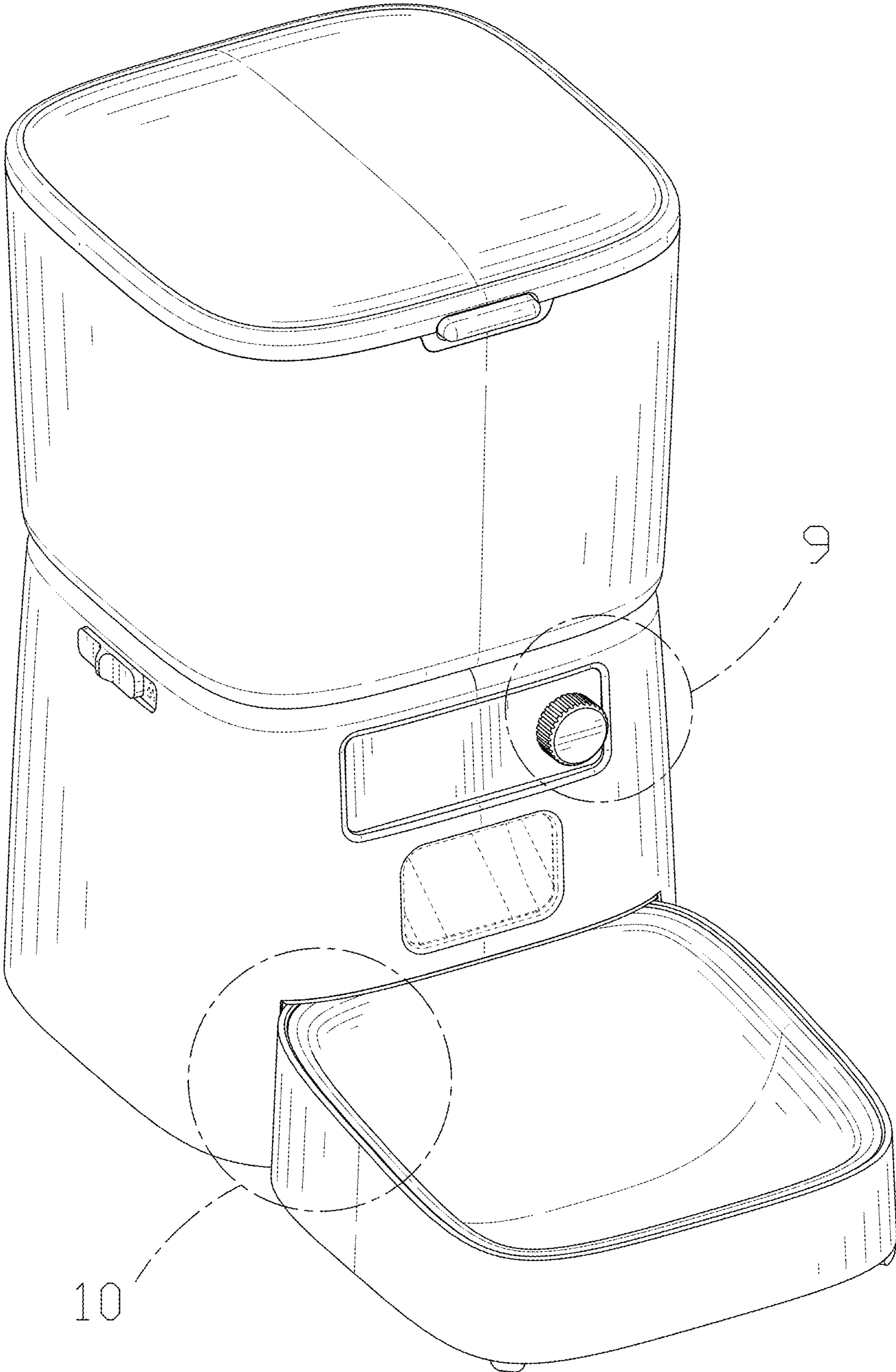


FIG. 1

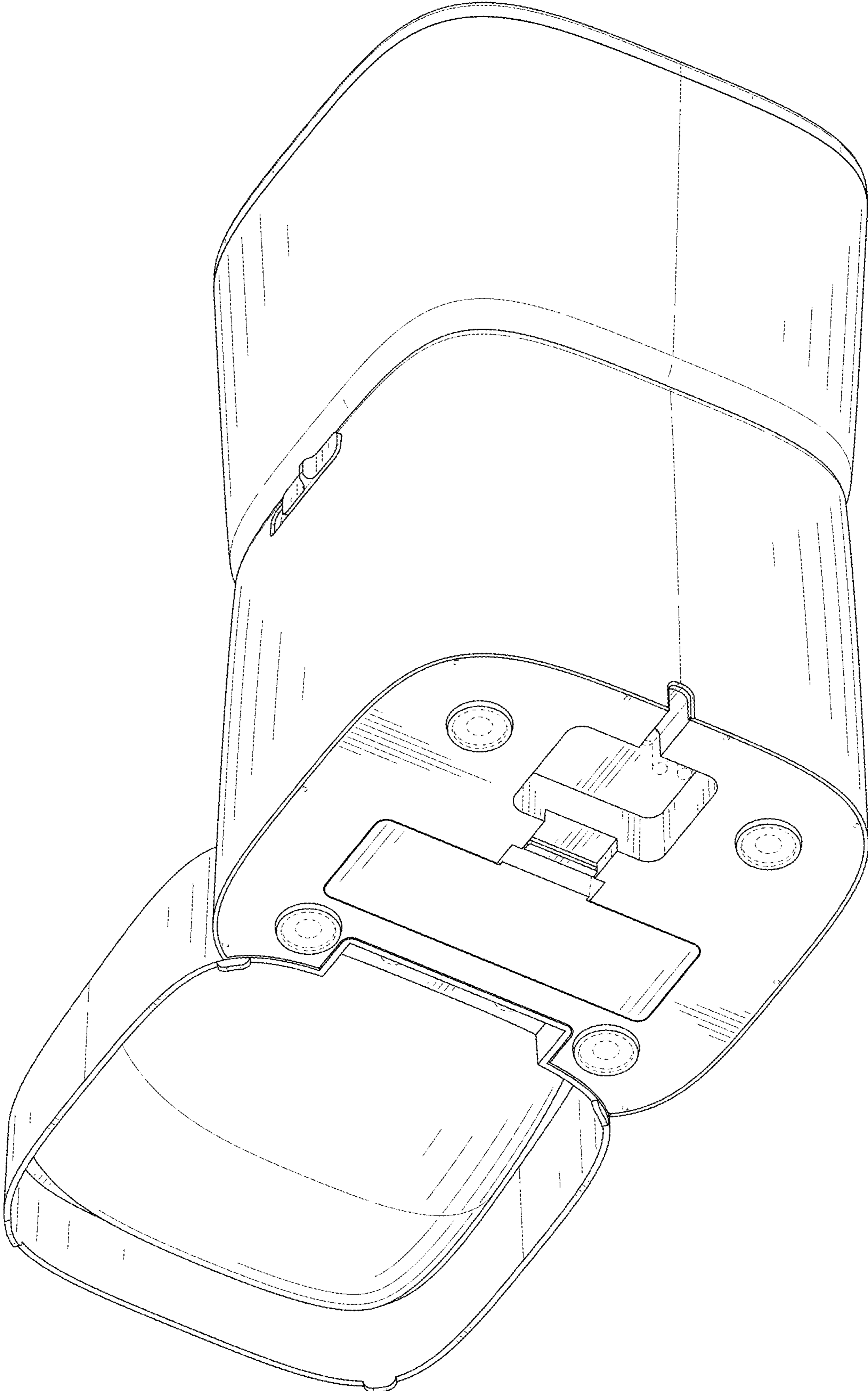


FIG. 2

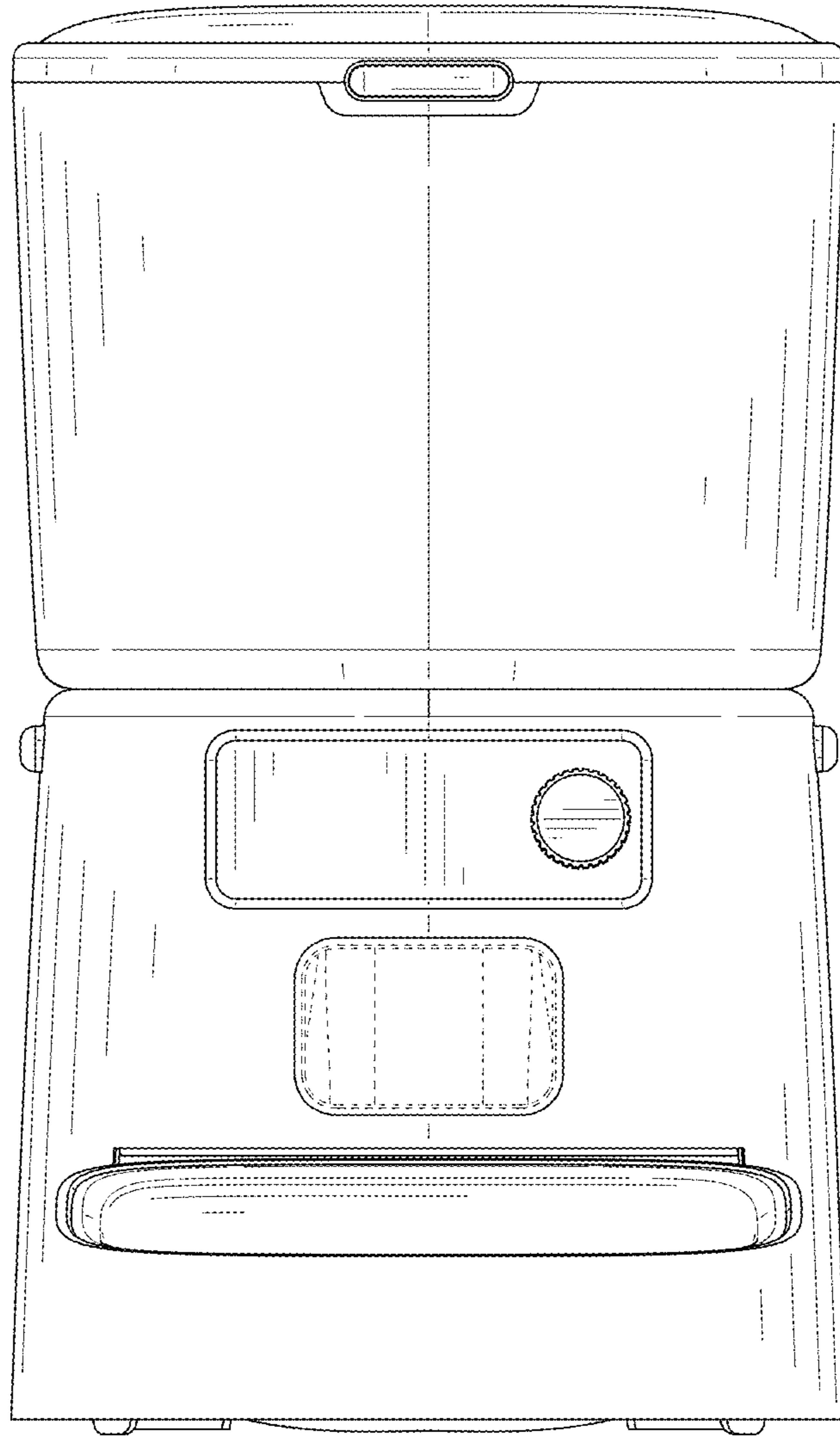


FIG. 3

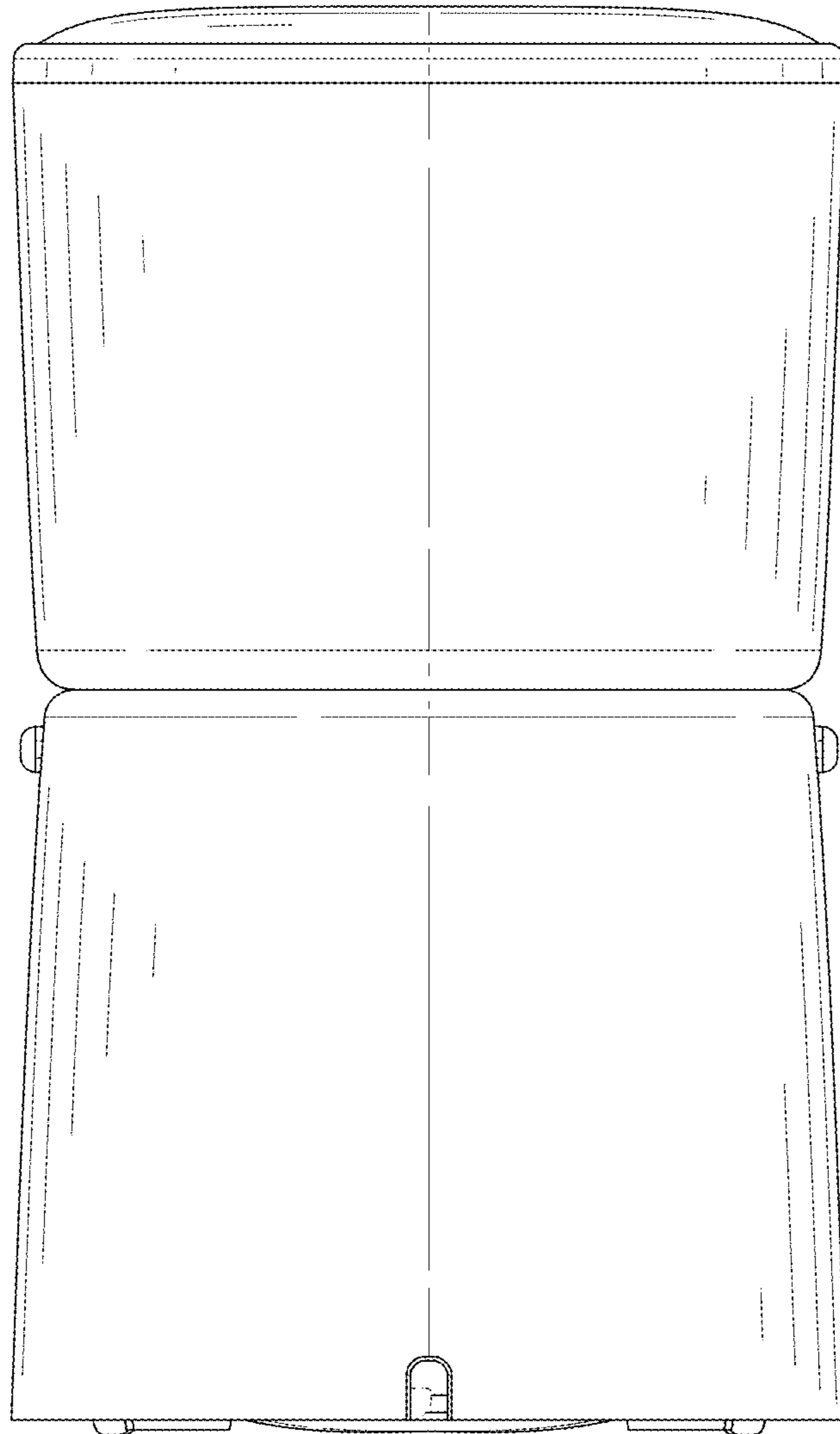


FIG. 4

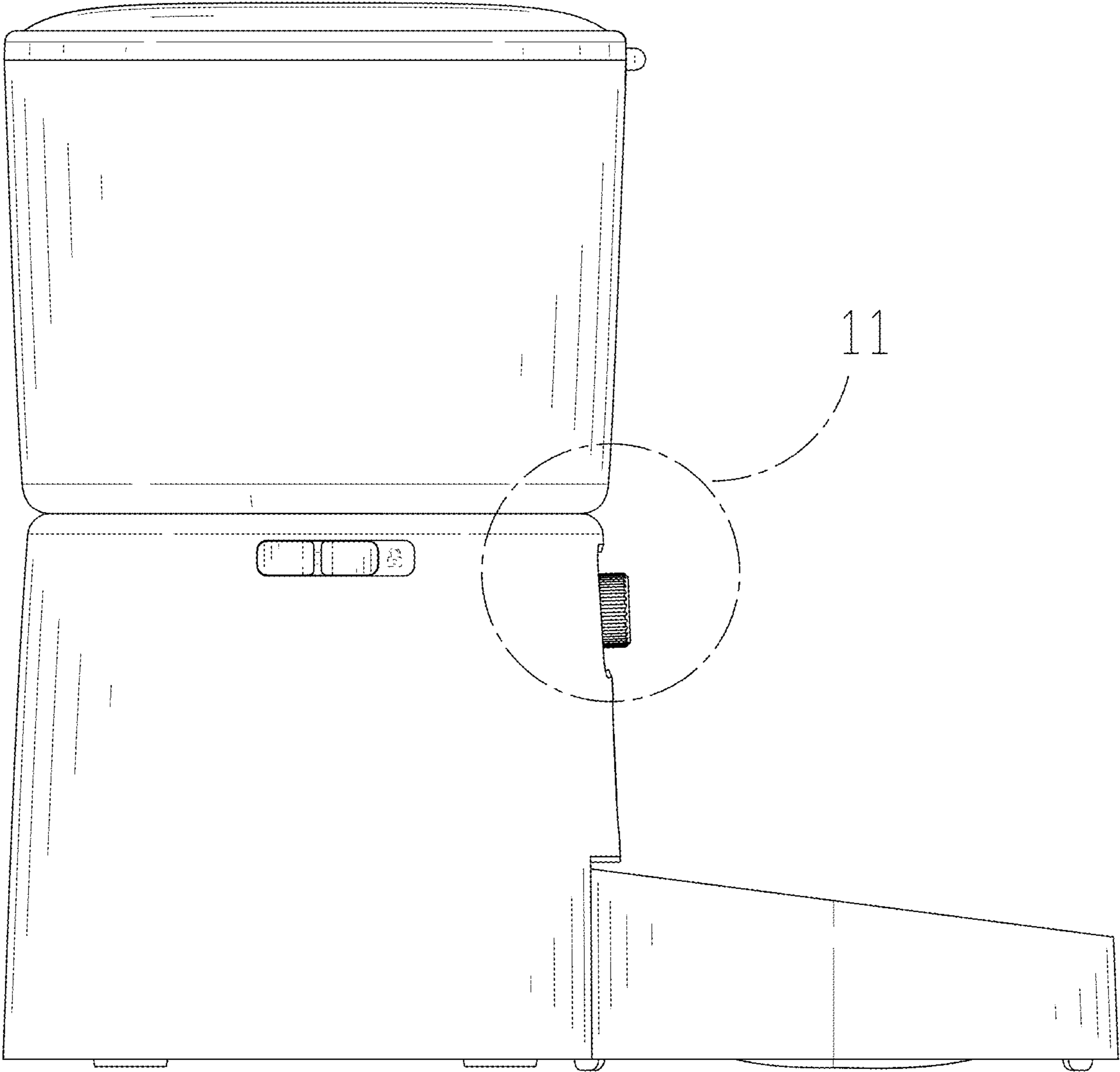


FIG. 5

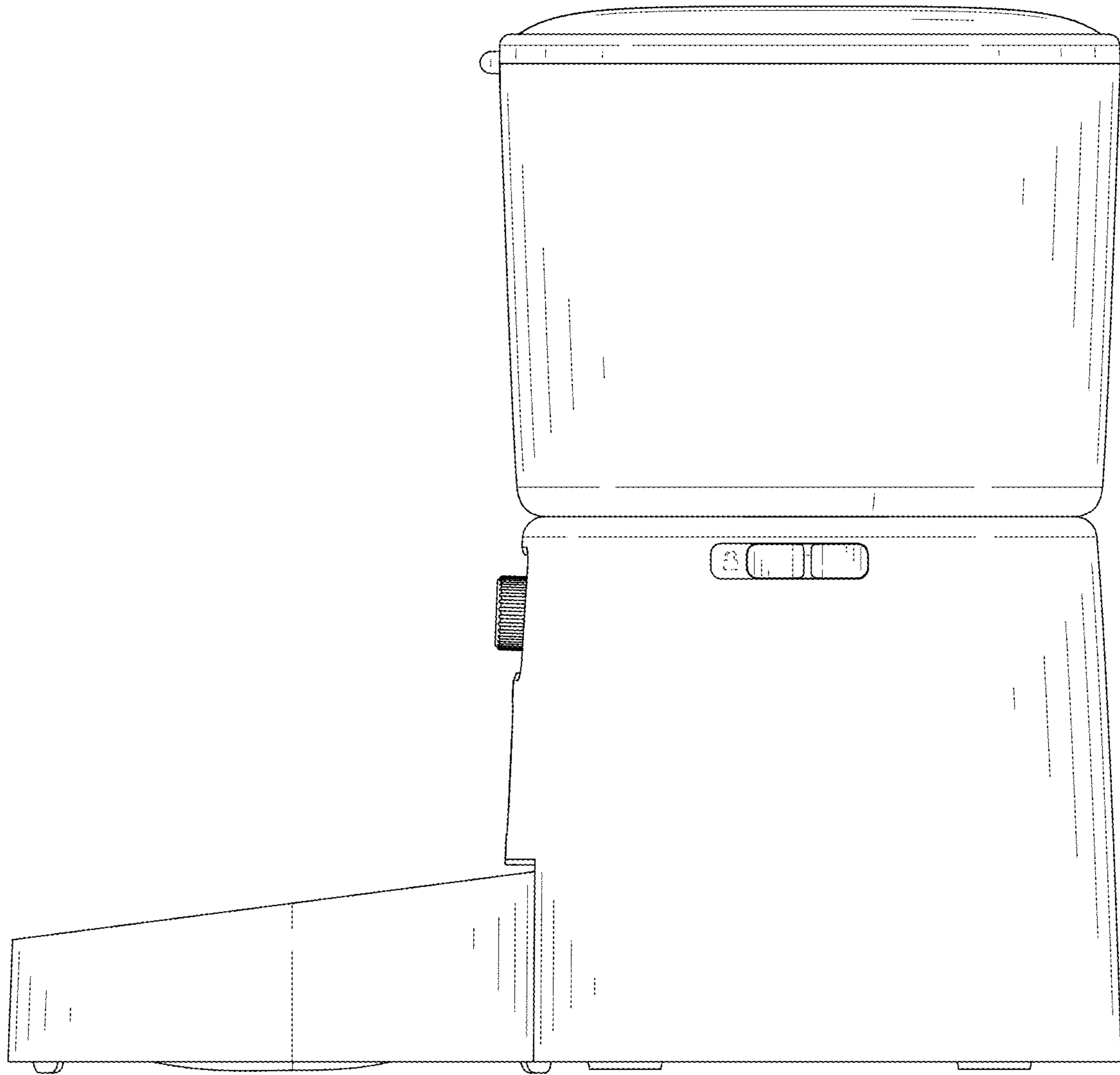


FIG. 6



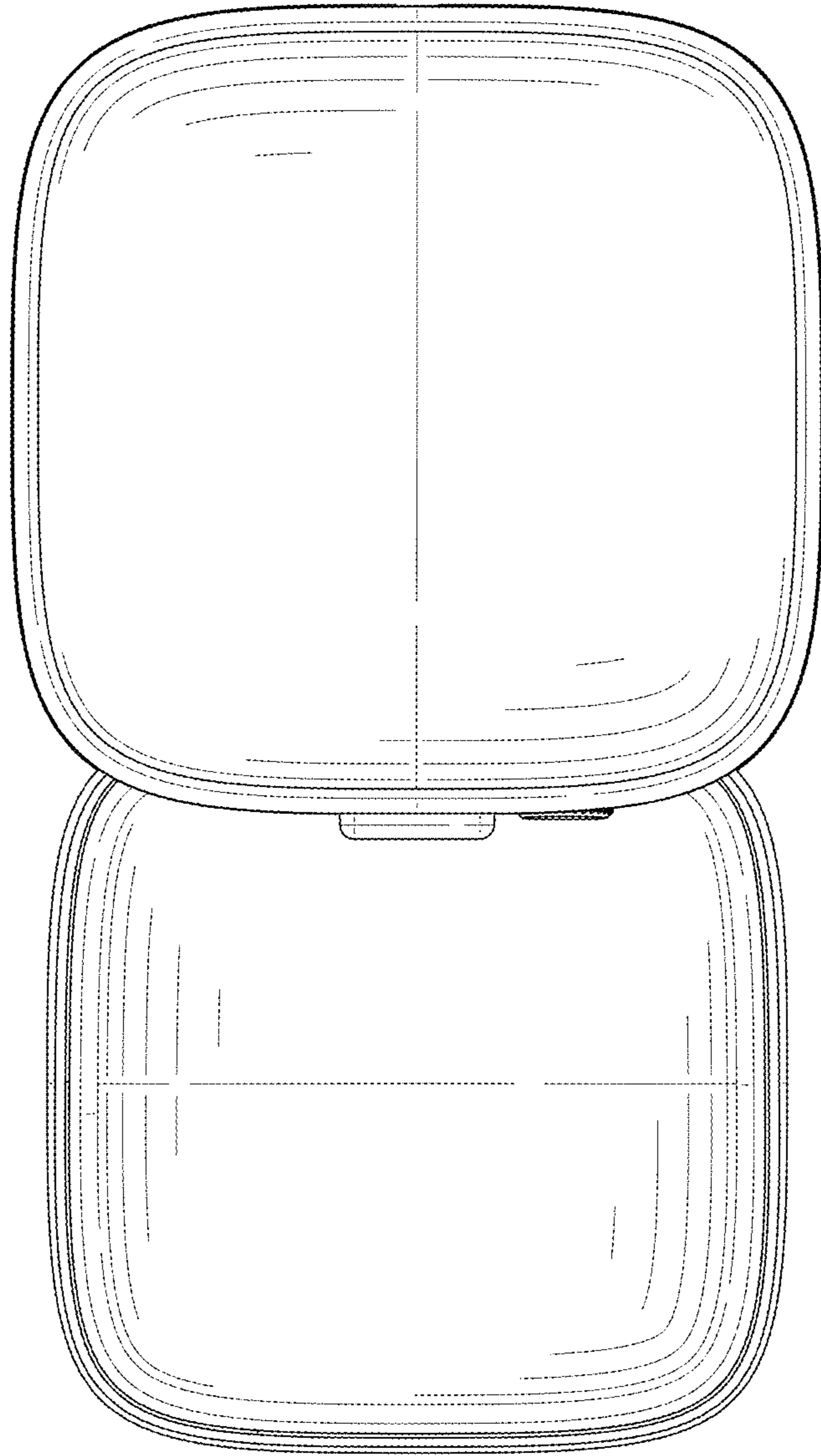


FIG. 7

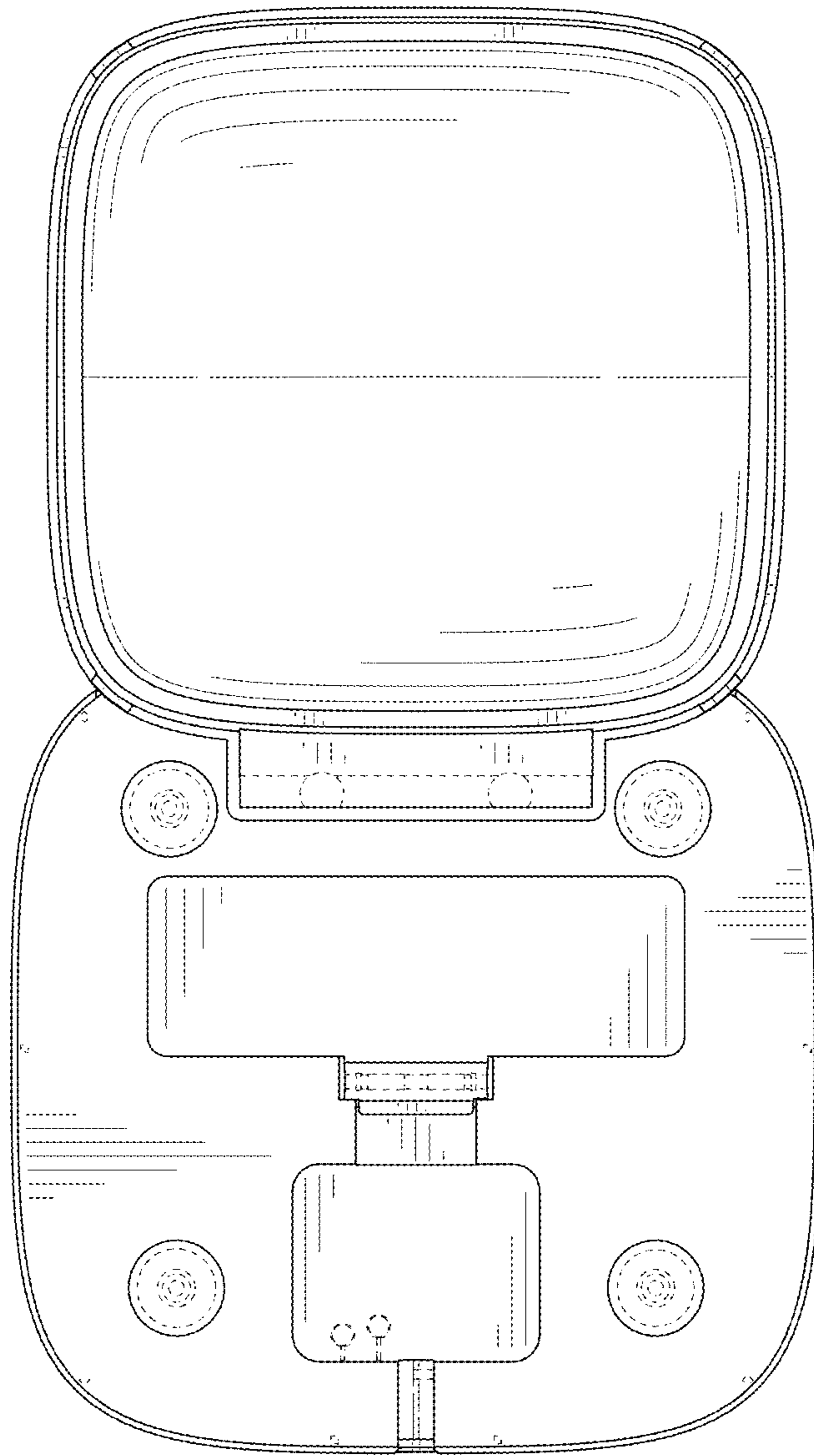


FIG. 8

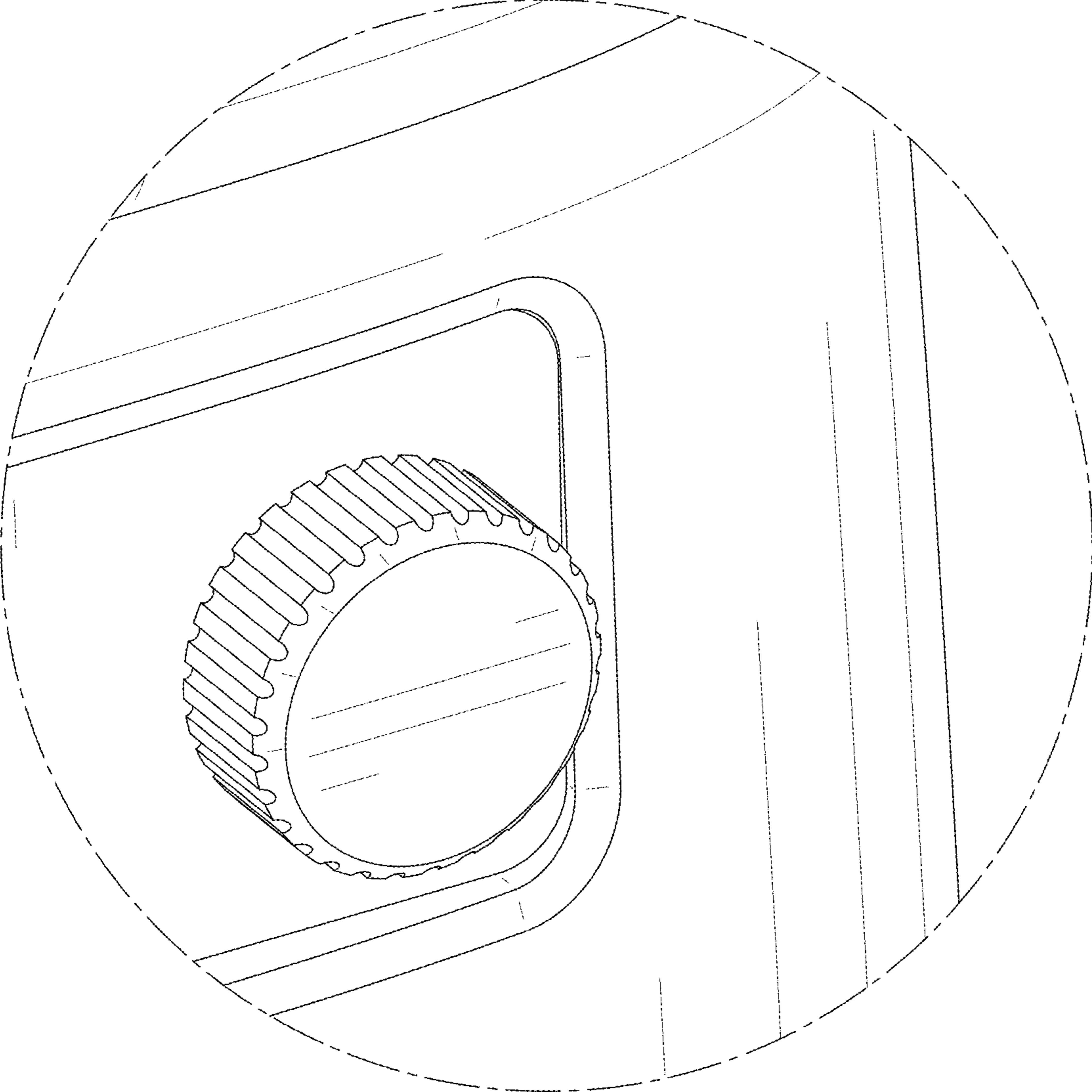


FIG. 9

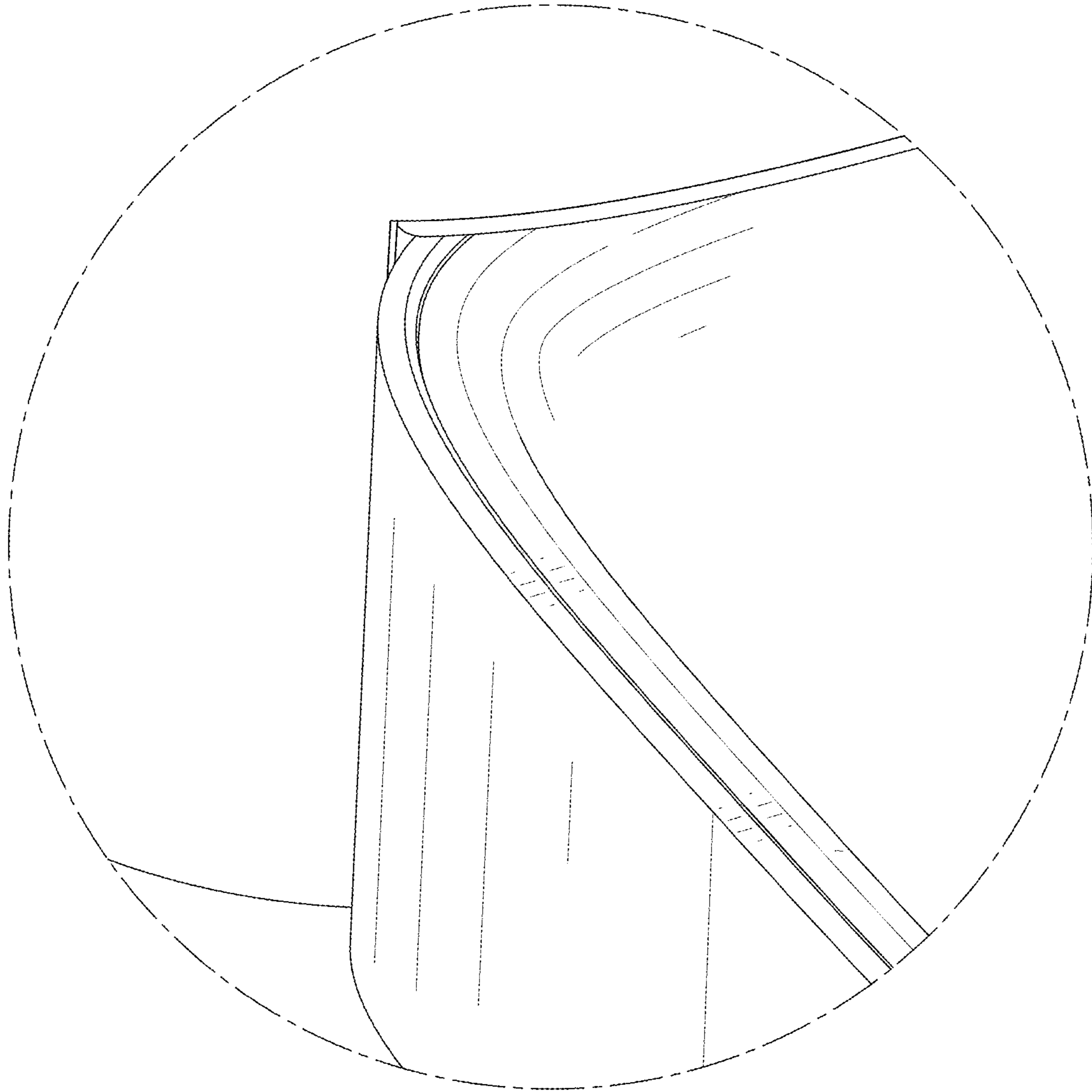


FIG. 10

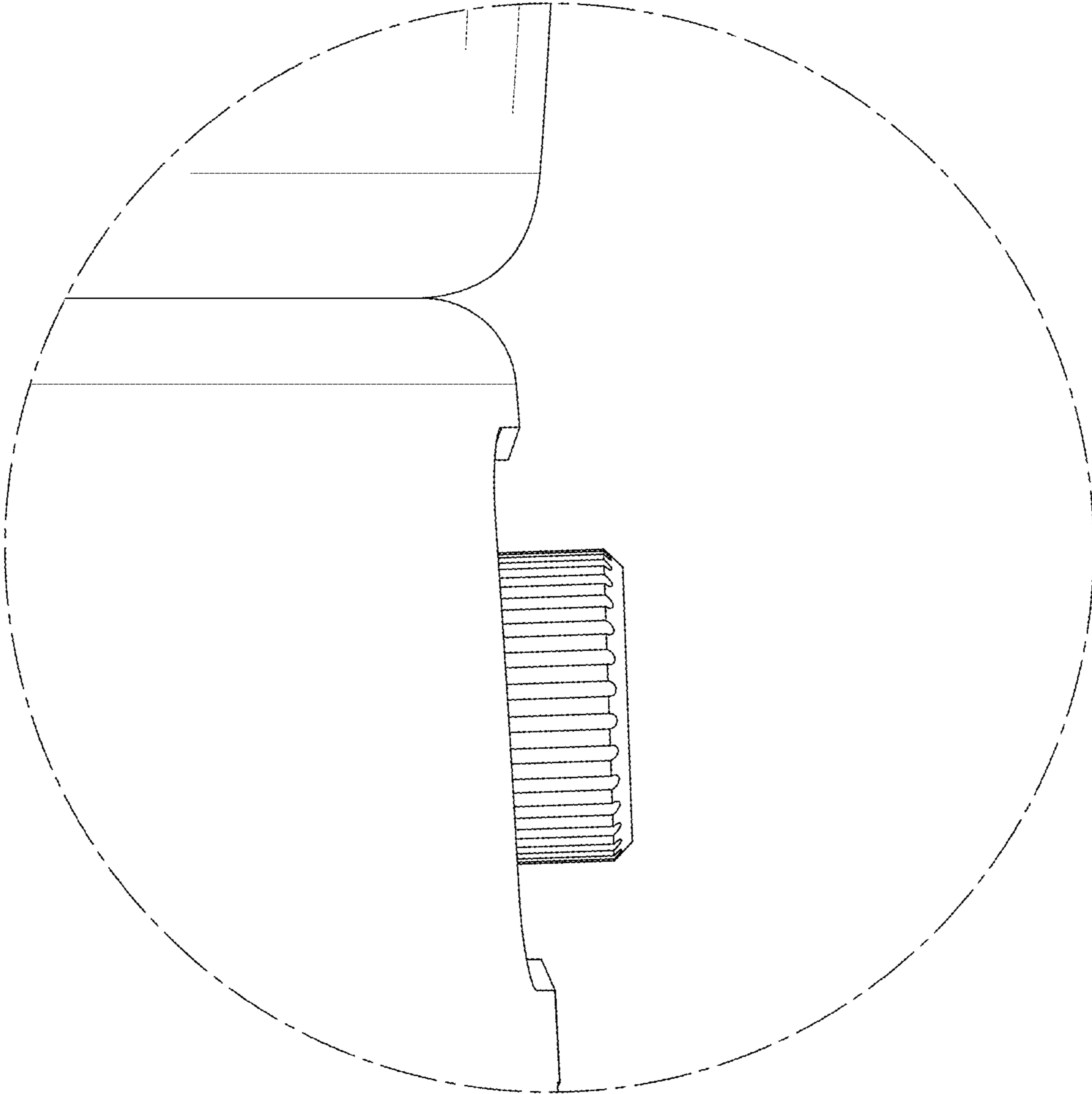


FIG. 11