



US00D989410S

(12) **United States Design Patent**  
**Liang**

(10) **Patent No.:** **US D989,410 S**

(45) **Date of Patent:** **\*\* Jun. 13, 2023**

(54) **ANIMAL FEED CONTAINER**

(71) Applicant: **Hailan Liang**, Guangdong (CN)

(72) Inventor: **Hailan Liang**, Guangdong (CN)

(\*\*) Term: **15 Years**

(21) Appl. No.: **29/888,069**

(22) Filed: **Mar. 28, 2023**

(51) **LOC (14) Cl.** ..... **30-03**

(52) **U.S. Cl.**  
USPC ..... **D30/131; D30/121**

(58) **Field of Classification Search**

USPC ..... D30/133, 121, 122, 124, 127, 128, 132, D30/129-131, 199; 119/51.01, 61, 51.04, 119/53, 57.91, 54, 53.5, 52.4, 51.11, 63, 119/61.2, 52.1, 57.5, 57.6, 51.13, 62, 75, 119/500, 501, 73, 74, 51.12, 51.5, 52.2, 119/61.1, 60, 58, 59; 239/7, 687, 379, 239/397.5; 222/199, 181.1, 181.2, 185.1, 222/557, 156, 485, 486, 548, 555, 222/226-248, 196, 410-414; 220/200, 220/227, 247, 262, 697-702; 221/174, 221/185.1, 289, 295, 296, 559; 454/35; 209/270, 283, 244; 52/194, 192; 49/279, 49/344, 357; D34/28; D7/409, 601, 334, D7/332, 402; 211/181.1; 414/24.5, 607; D32/53.1; 15/260, 262, 264, 257.01, 15/257.05, 257.06; 118/419; D9/424, D9/429; 296/154, 183.1; 126/25 R, 9 R, 126/276, 30; 312/236; 99/419, 339, 467, 99/471, 473, 481, 421 R  
CPC ..... A01K 5/0225; A01K 5/00; A01K 5/02; A01K 5/01; A01K 5/0291; A01K 5/0266; A01K 5/0275; A01K 5/0283; A01K 39/00; A01K 39/01; A01K 39/0113; A01K 39/012; A01K 39/0125; A01K 39/014; A01K 39/02; A01K 39/0206; B28C 7/0046; B65D 90/14; B65D 90/52; B65D 90/54; B65D 88/52; B65D 85/26-34; B65D 88/54; A01C 17/005;

A01C 17/006; Y10T 74/19721; Y10T 74/2063; A01M 31/00; A01M 31/004; A01M 31/008; A47J 37/0763; B60P 1/43  
See application file for complete search history.

(56) **References Cited**

U.S. PATENT DOCUMENTS

56,557 A \* 7/1866 Hayden ..... A01K 5/0275  
132/280  
D142,793 S \* 11/1945 Running et al. .... D30/131  
D178,250 S \* 7/1956 Landgraf ..... D20/7  
D182,624 S \* 4/1958 Rysdon et al. .... D30/131  
2,830,557 A \* 4/1958 Frush ..... A01K 5/0241  
119/52.1

(Continued)

*Primary Examiner* — Susan Moon Lee

(74) *Attorney, Agent, or Firm* — Kunzler Bean & Adamson, PC; Michael Bartholomew

(57) **CLAIM**

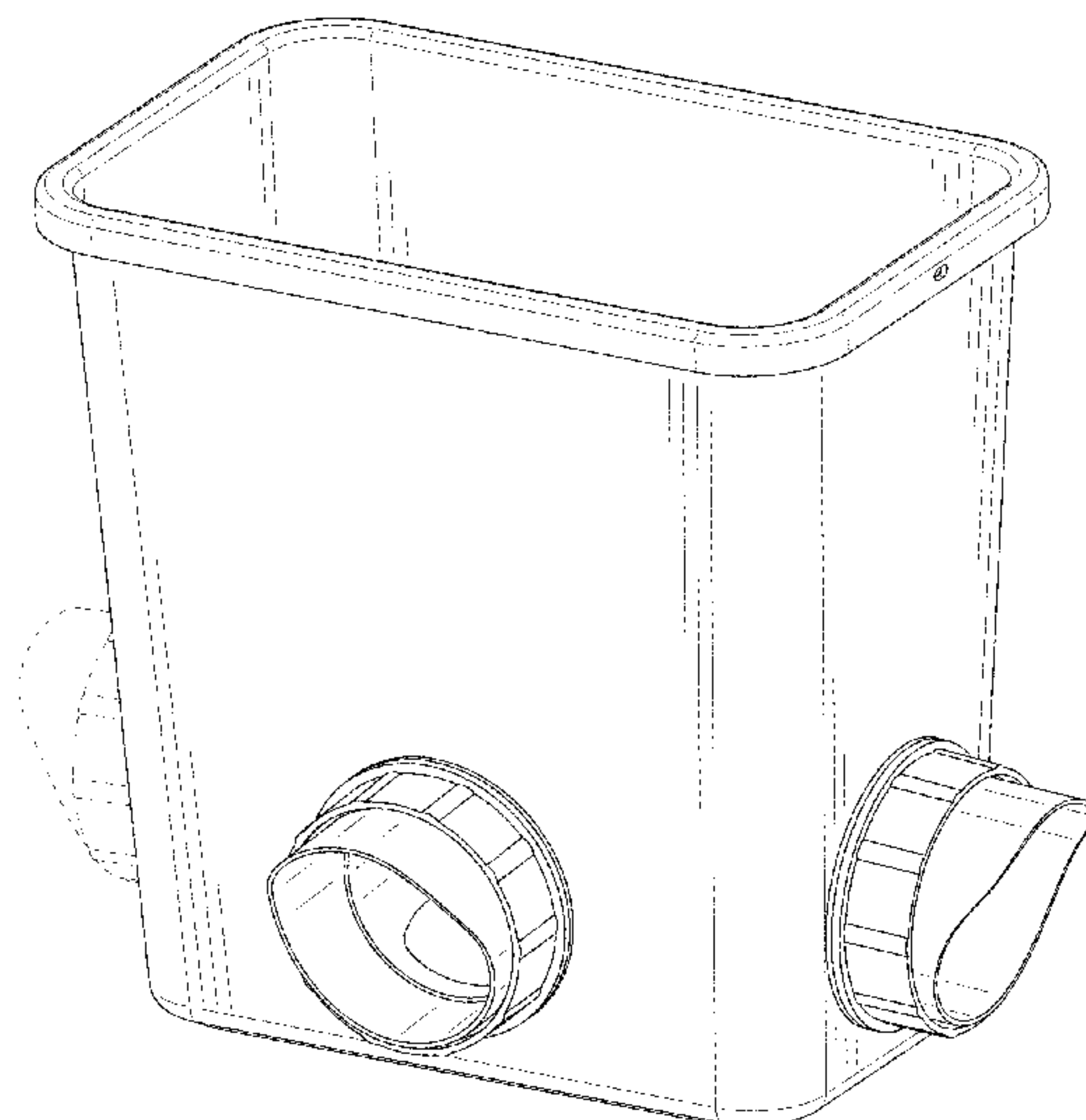
The ornamental design for an animal feed container, as shown and described.

**DESCRIPTION**

FIG. 1 is a front, right and top perspective view of an animal feed container, showing my design.  
FIG. 2 is a rear, left and bottom perspective view thereof.  
FIG. 3 is a front elevation view thereof.  
FIG. 4 is a rear elevation view thereof.  
FIG. 5 is a left side elevation view thereof.  
FIG. 6 is a right side elevation view thereof.  
FIG. 7 is a top plan view thereof.  
FIG. 8 is a bottom plan view thereof; and,  
FIG. 9 is a cross-sectional view of the animal feed container of FIG. 1, taken along section line 9-9 as depicted in FIG. 7.

The broken lines depict portions of the animal feed container that form no part of the claimed design.

**1 Claim, 9 Drawing Sheets**



(56)

References Cited

U.S. PATENT DOCUMENTS

D188,655 S \* 8/1960 Blough ..... D30/131  
 3,315,641 A \* 4/1967 Cochran ..... A01K 5/008  
 119/53  
 D259,068 S \* 4/1981 Barkman ..... D30/131  
 4,738,221 A \* 4/1988 Nock ..... A01K 39/012  
 119/52.2  
 D320,291 S \* 9/1991 Dalton, Jr. .... D30/121  
 D321,769 S \* 11/1991 Schafer ..... D30/131  
 D337,181 S 7/1993 Warman  
 5,328,015 A \* 7/1994 Volk, Jr. .... B65G 65/46  
 198/674  
 6,701,866 B1 \* 3/2004 Shieh ..... A01K 5/0291  
 119/51.5  
 D622,452 S \* 8/2010 Castro ..... D30/131  
 8,272,350 B1 \* 9/2012 England ..... A01K 5/025  
 222/485  
 D704,384 S \* 5/2014 Worsley ..... D30/121

D787,751 S \* 5/2017 Bosco ..... D30/121  
 D792,033 S 7/2017 Hill et al.  
 D826,482 S \* 8/2018 Ellson ..... D30/121  
 D869,100 S \* 12/2019 Mariant ..... D30/131  
 10,674,703 B2 \* 6/2020 Monk ..... A01K 5/0225  
 D957,751 S \* 7/2022 Huang ..... D30/131  
 D960,464 S \* 8/2022 Zhong ..... D30/131  
 D973,973 S \* 12/2022 Zhong ..... D30/131  
 D979,153 S \* 2/2023 Dai ..... D30/131  
 2002/0096120 A1 \* 7/2002 Busha ..... A01K 7/02  
 119/51.5  
 2004/0177815 A1 \* 9/2004 Sage, Jr. .... A01K 5/0114  
 119/61.3  
 2006/0196433 A1 \* 9/2006 Ness ..... A01K 5/0114  
 119/52.1  
 2017/0245474 A1 \* 8/2017 Biggin ..... A01K 39/0213  
 2017/0273277 A1 \* 9/2017 Monk ..... A01K 29/005  
 2019/0053463 A1 \* 2/2019 Hill ..... A01K 5/0114  
 2021/0127630 A1 \* 5/2021 Zimmerman ..... A61B 5/1118

\* cited by examiner

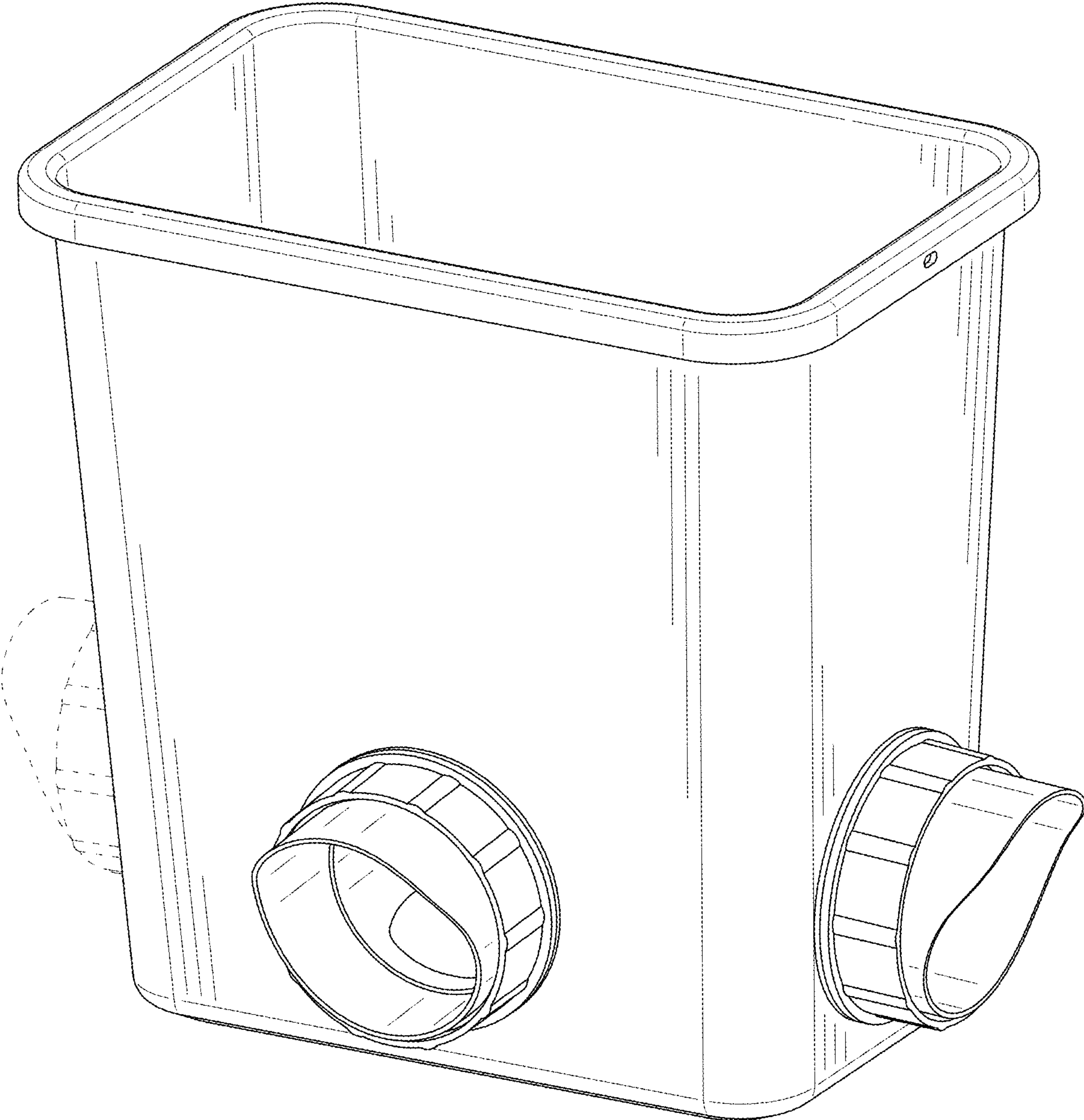


FIG. 1



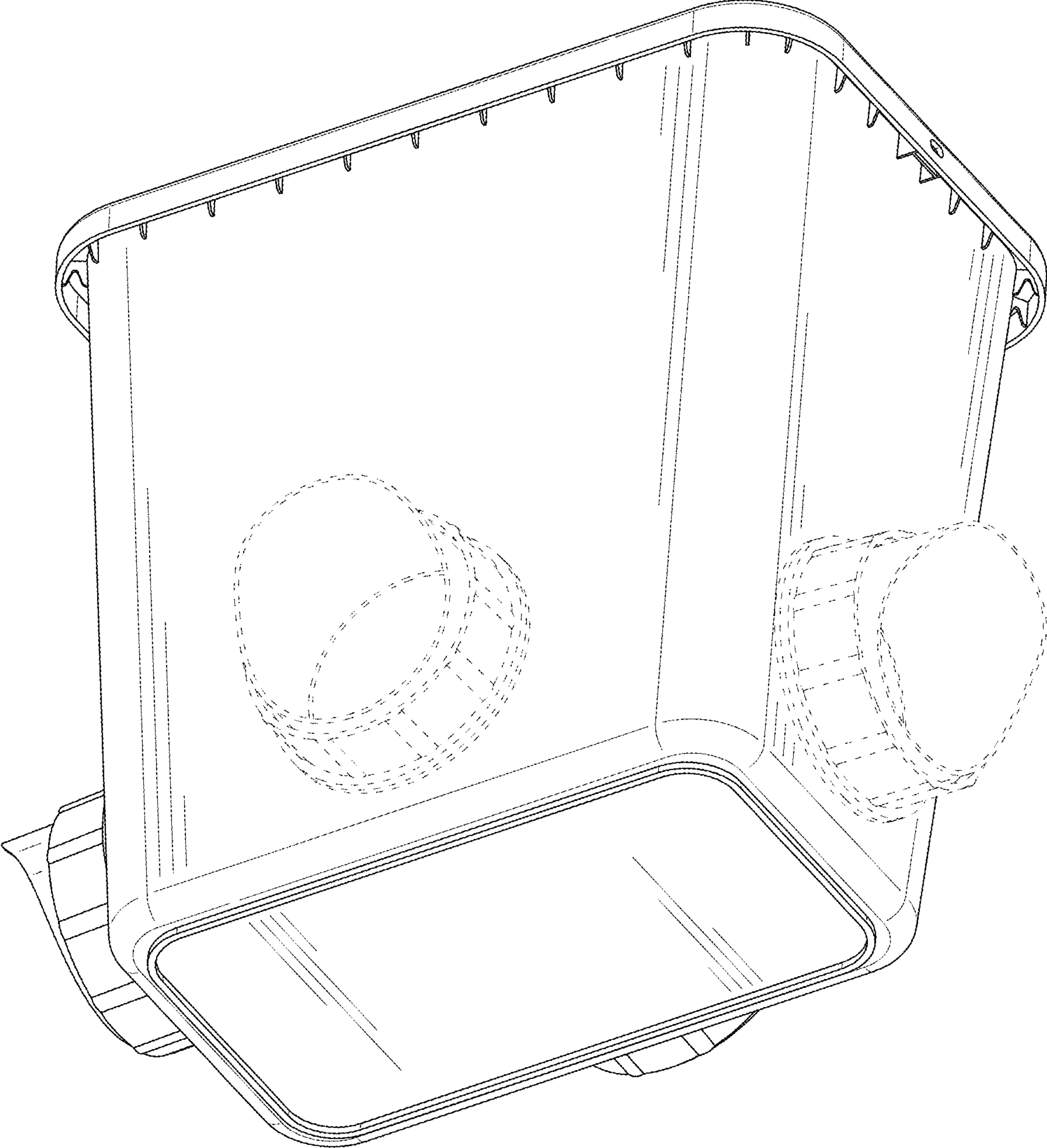


FIG. 2

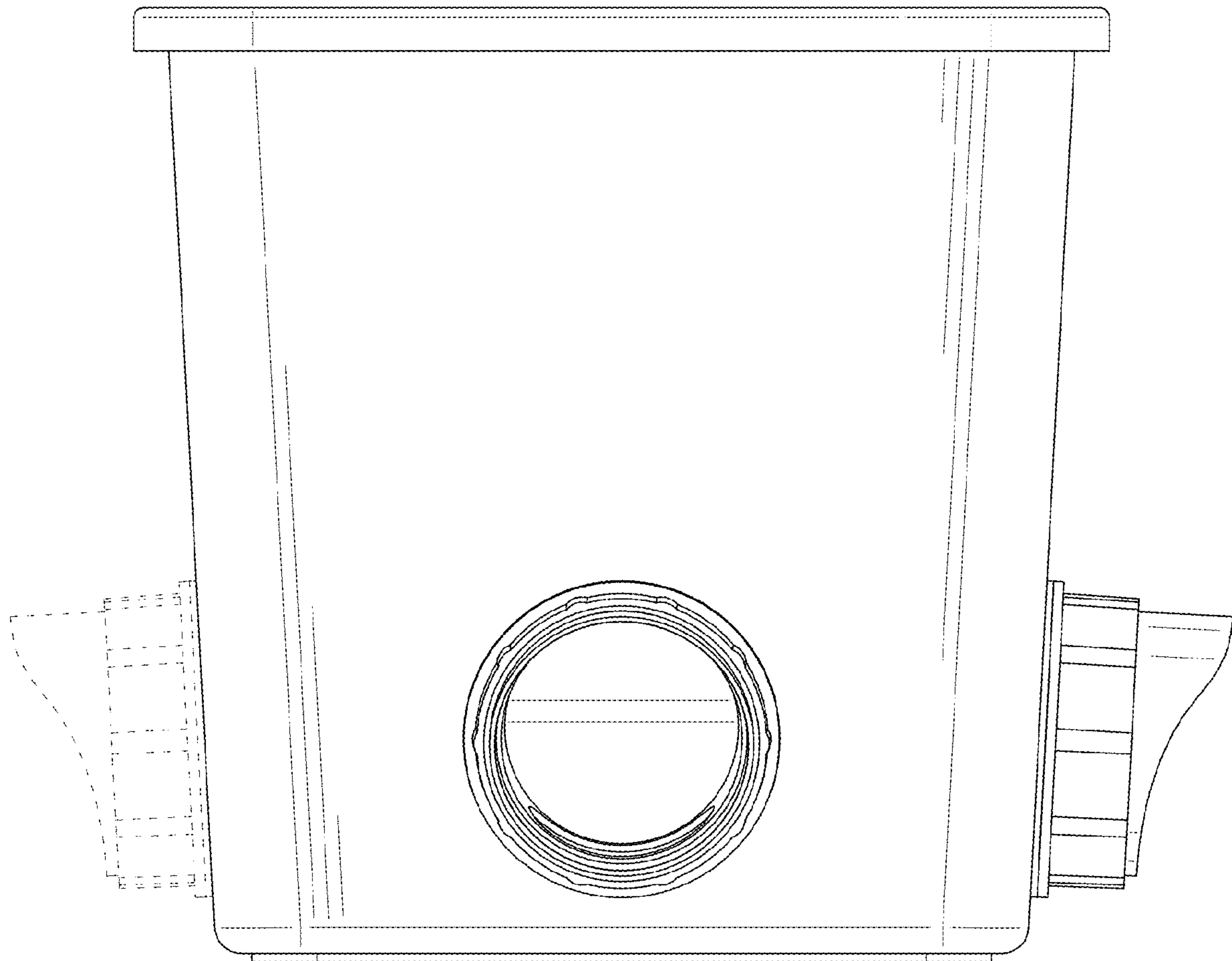


FIG. 3

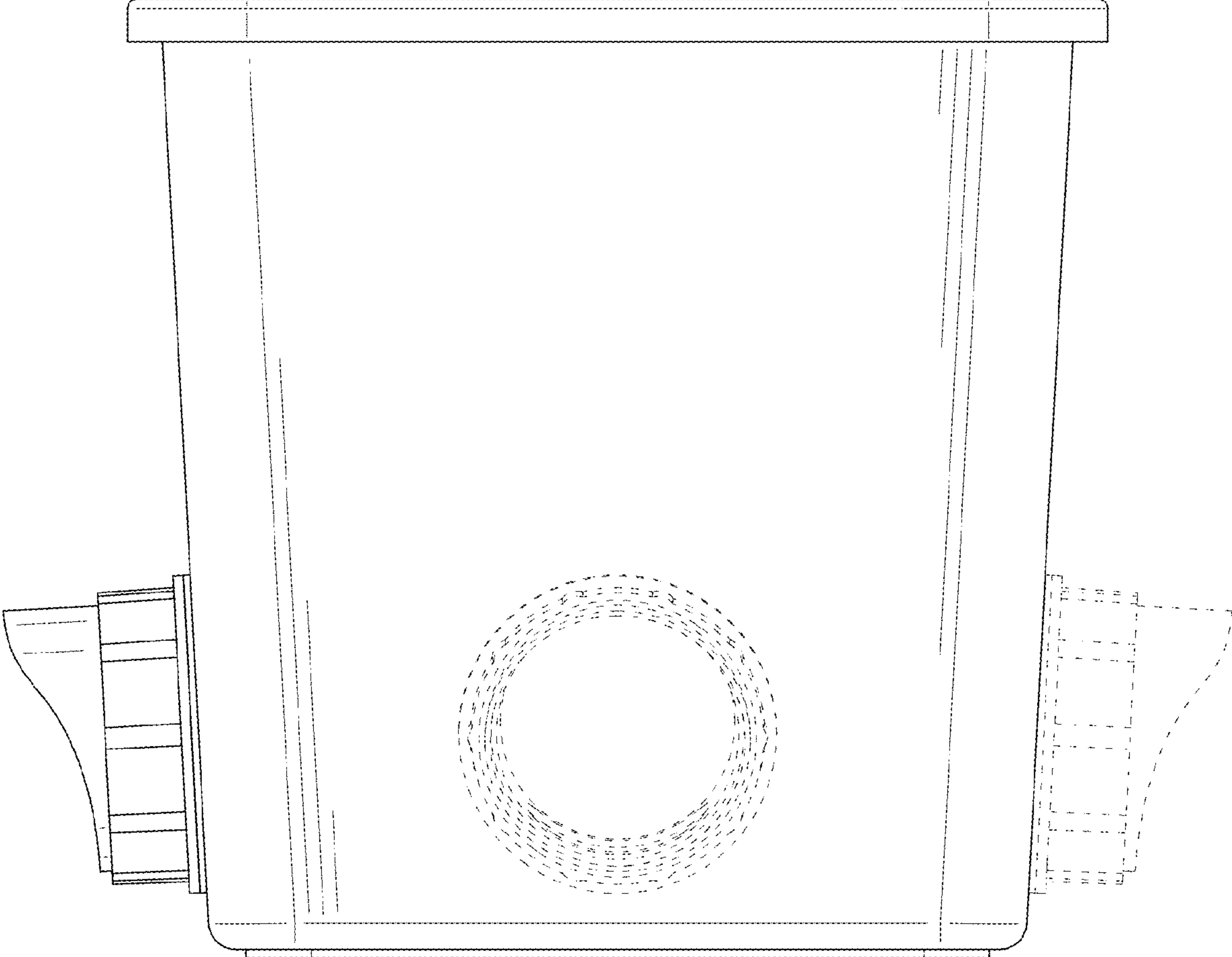


FIG. 4

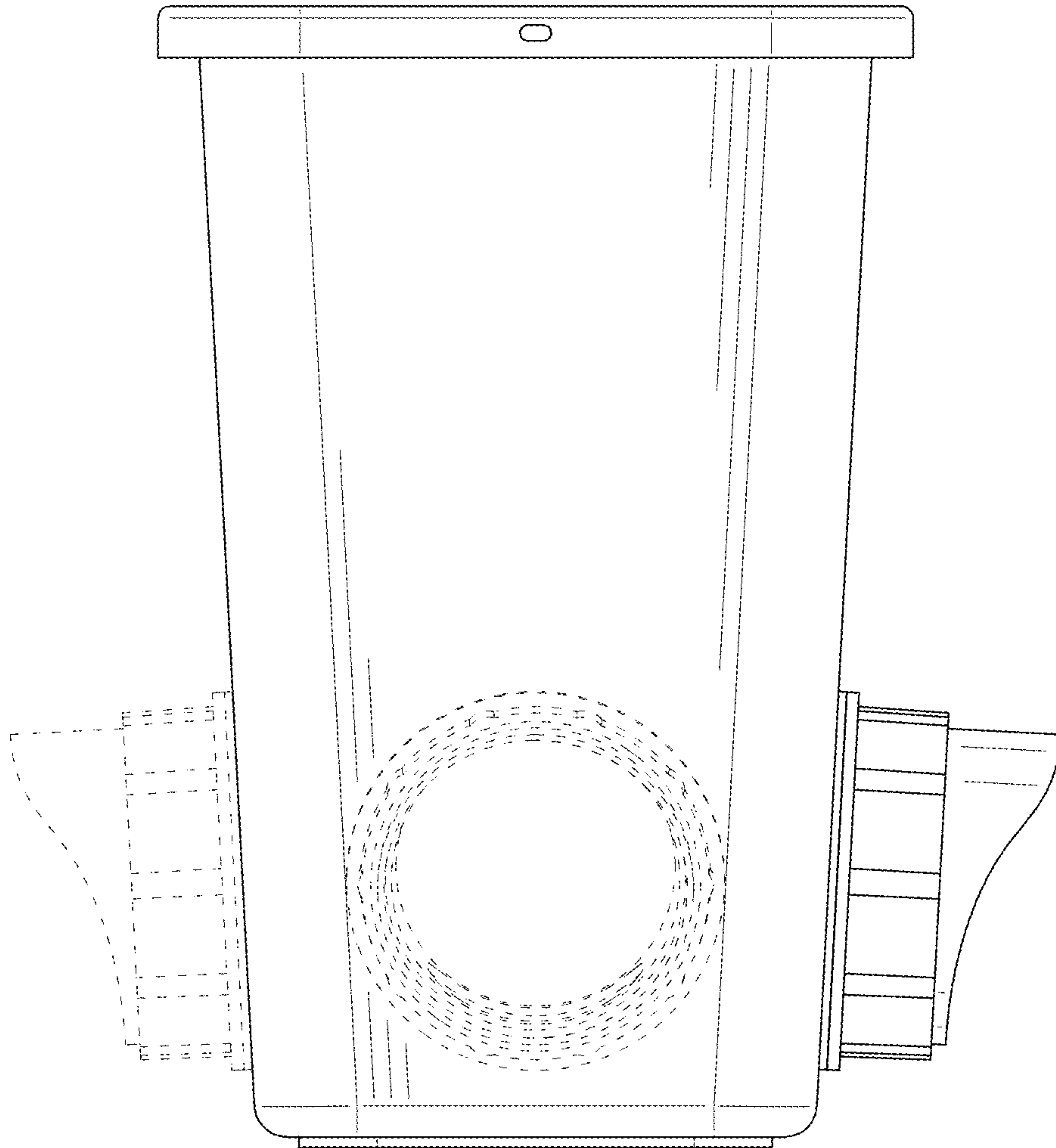


FIG. 5

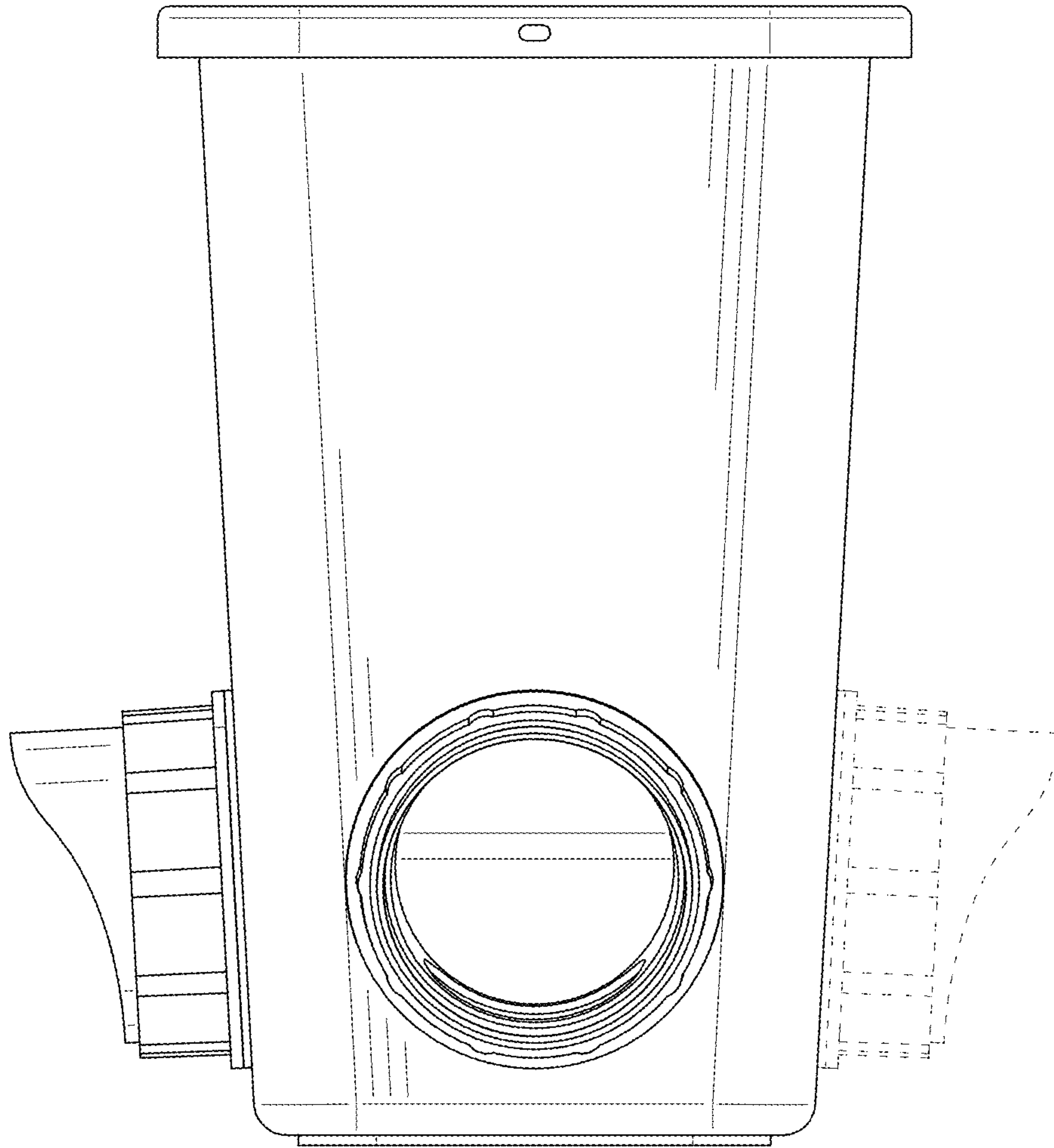


FIG. 6



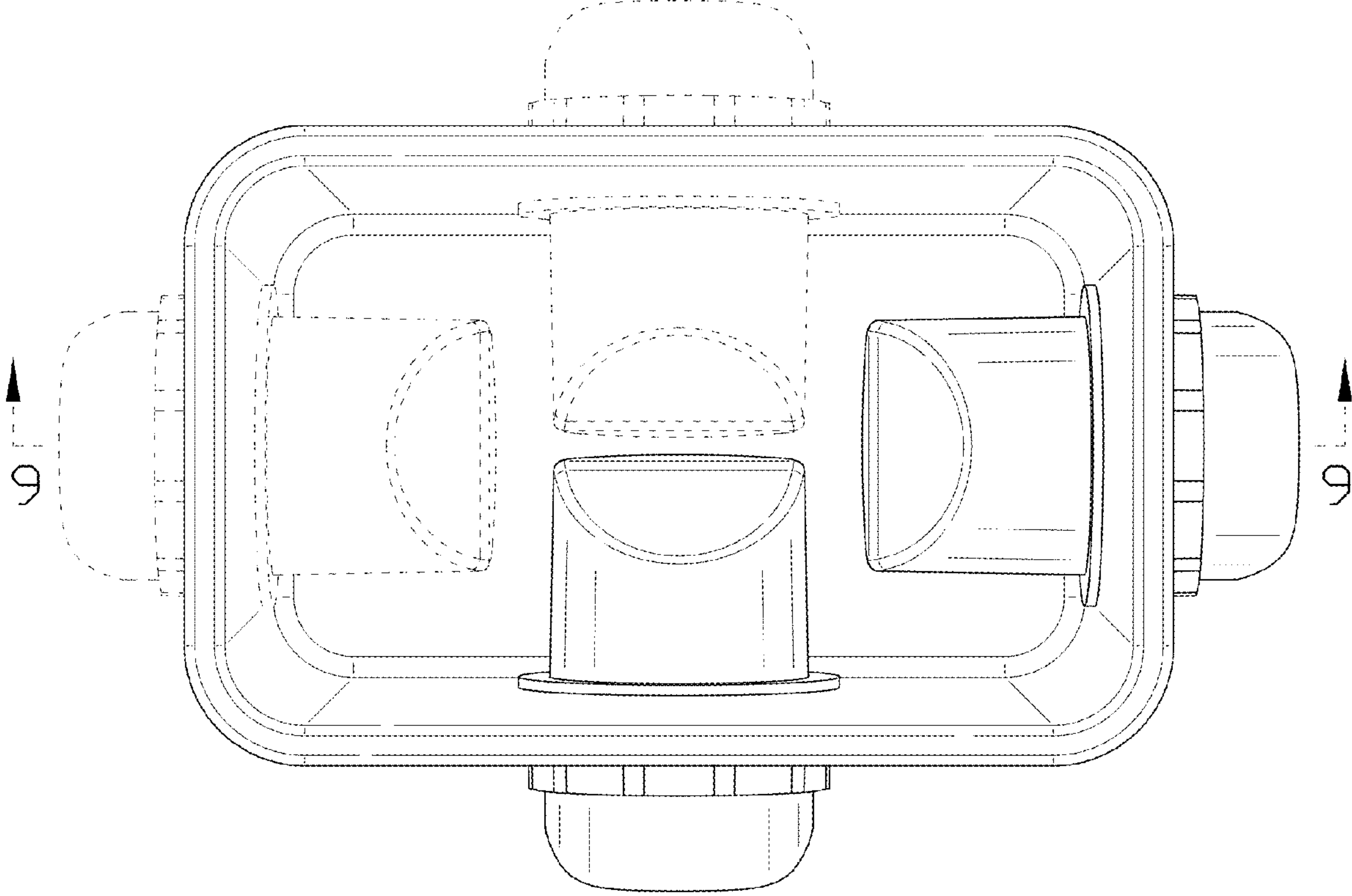


FIG. 7

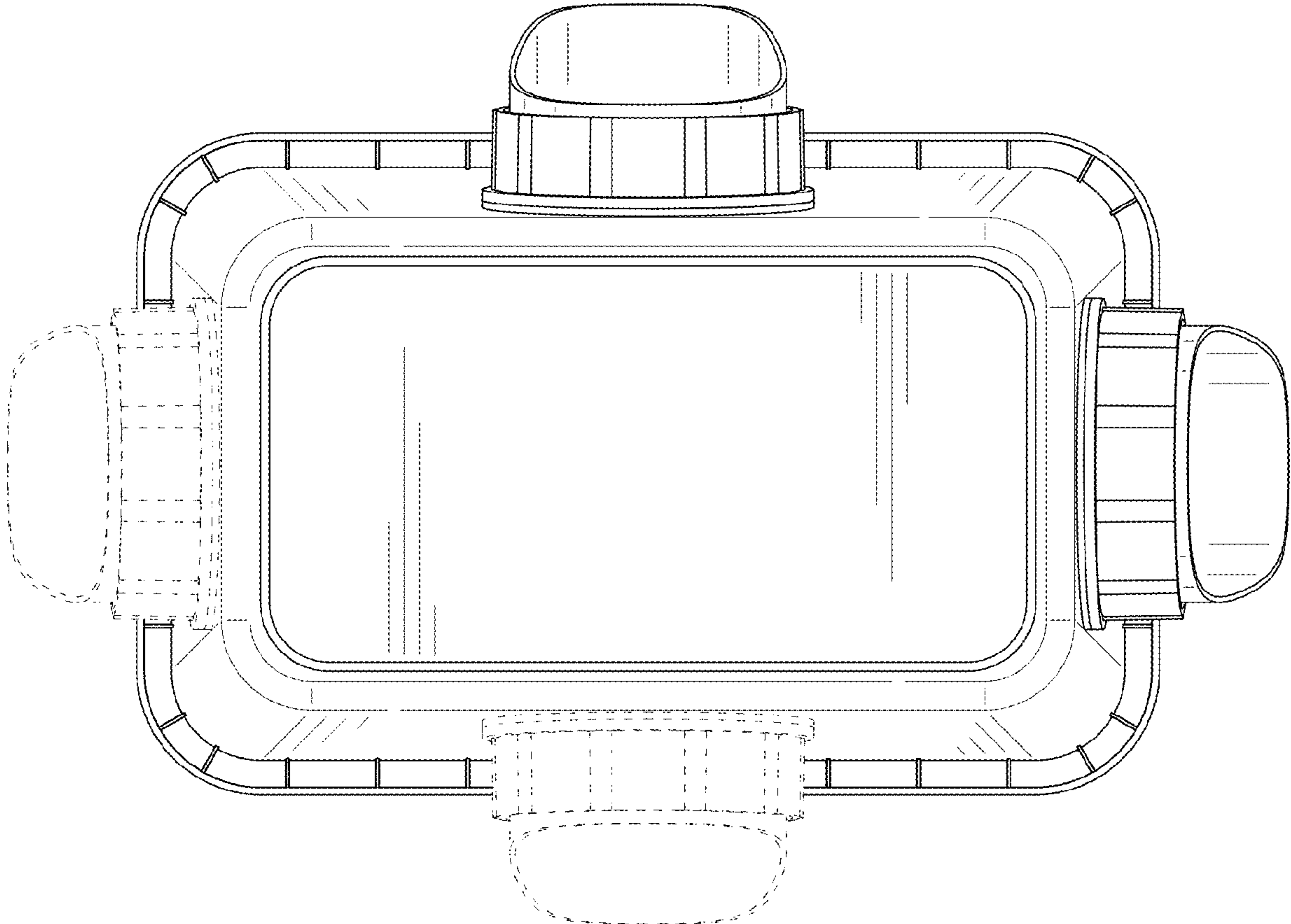


FIG. 8

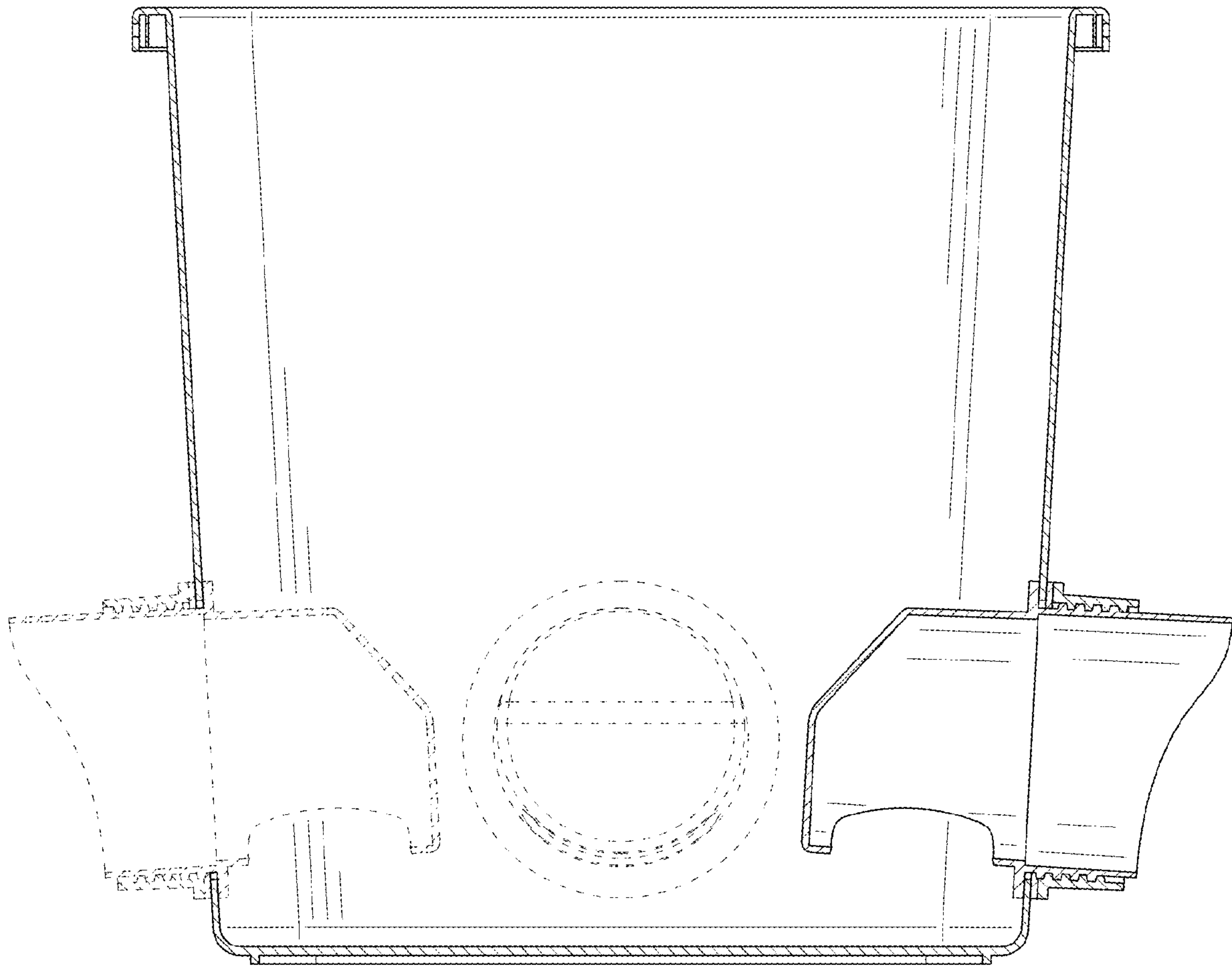


FIG. 9