



US00D989409S

(12) **United States Design Patent**
Long

(10) **Patent No.:** **US D989,409 S**
(45) **Date of Patent:** **** Jun. 13, 2023**

(54) **FEEDER AND WATERER**

(71) Applicant: **Dongguan Yilong Electronic Technology Co., Ltd, Dongguan (CN)**

(72) Inventor: **Jingguo Long, Dongguan (CN)**

(73) Assignee: **Dongguan Yilong Electronic Technology Co., Ltd, Dongguan (CN)**

(**) Term: **15 Years**

(21) Appl. No.: **29/873,641**

(22) Filed: **Apr. 4, 2023**

(51) **LOC (14) Cl.** **30-03**

(52) **U.S. Cl.**
USPC **D30/122; D30/132; D30/133**

(58) **Field of Classification Search**
USPC D30/121, 122, 129-133, 120; 119/61.5, 119/51.01, 61.56, 51.03, 59, 62, 63, 51.5, 119/57.8, 74, 61.54, 61.55, 53, 53.5, 75, 119/56.2, 51.02, 51.11, 51.12, 57.1, 52.1, 119/515; 312/204; 248/151, 188; 108/156, 153.1-157; 220/23.87, 630, 220/737, 743, 9.4, 495.01, 574, 212, 255, 220/23.83; 206/515; D7/586, 543, D7/550.1, 587, 505, 584, 545, 500, D7/553.1-553.8, 546, 555, 556, 504, 565, D7/562, 602, 605, 312, 313, 320, 307, D7/306, 309, 354, 311, 399, 397, 323, D7/332, 331, 347, 346, 322, 318, 317, D7/316, 619.1; D9/429; 43/109; D22/122; 99/430, DIG. 15, 280, 285, 99/312; 222/209, 131, 363, 349, 517, 222/153.13, 401, 1, 146.5, 23, 54, 64, 51, 222/156, 399, 400.8; 219/438, 439, 441, 219/385, 386, 402, 407; 210/94, 184, 210/474, 477
CPC A01K 5/02; A01K 5/0225; A01K 5/0114; A01K 5/025; A01K 5/0266; A01K 5/0275; A01K 5/0283; A01K 5/0291; A01K 5/0258; A01K 5/0142; A01K

5/0233; A01K 29/00; A01K 7/00-06; G01F 11/24; G01F 23/02; B67D 1/0425; B67D 1/04; B67D 1/00; B67D 1/02; B67D 1/0871; B67D 1/0802; A47J 41/0033; A47J 41/005; A47J 41/0088; A47J 41/0094; A47J 31/04; A47J 31/053;
(Continued)

(56) **References Cited**

U.S. PATENT DOCUMENTS

3,085,718 A * 4/1963 Nelson A47F 1/08
222/437
3,720,184 A * 3/1973 Pearce A01K 5/0225
119/51.5

(Continued)

Primary Examiner — Susan Moon Lee

(74) *Attorney, Agent, or Firm* — Nitin Kaushik

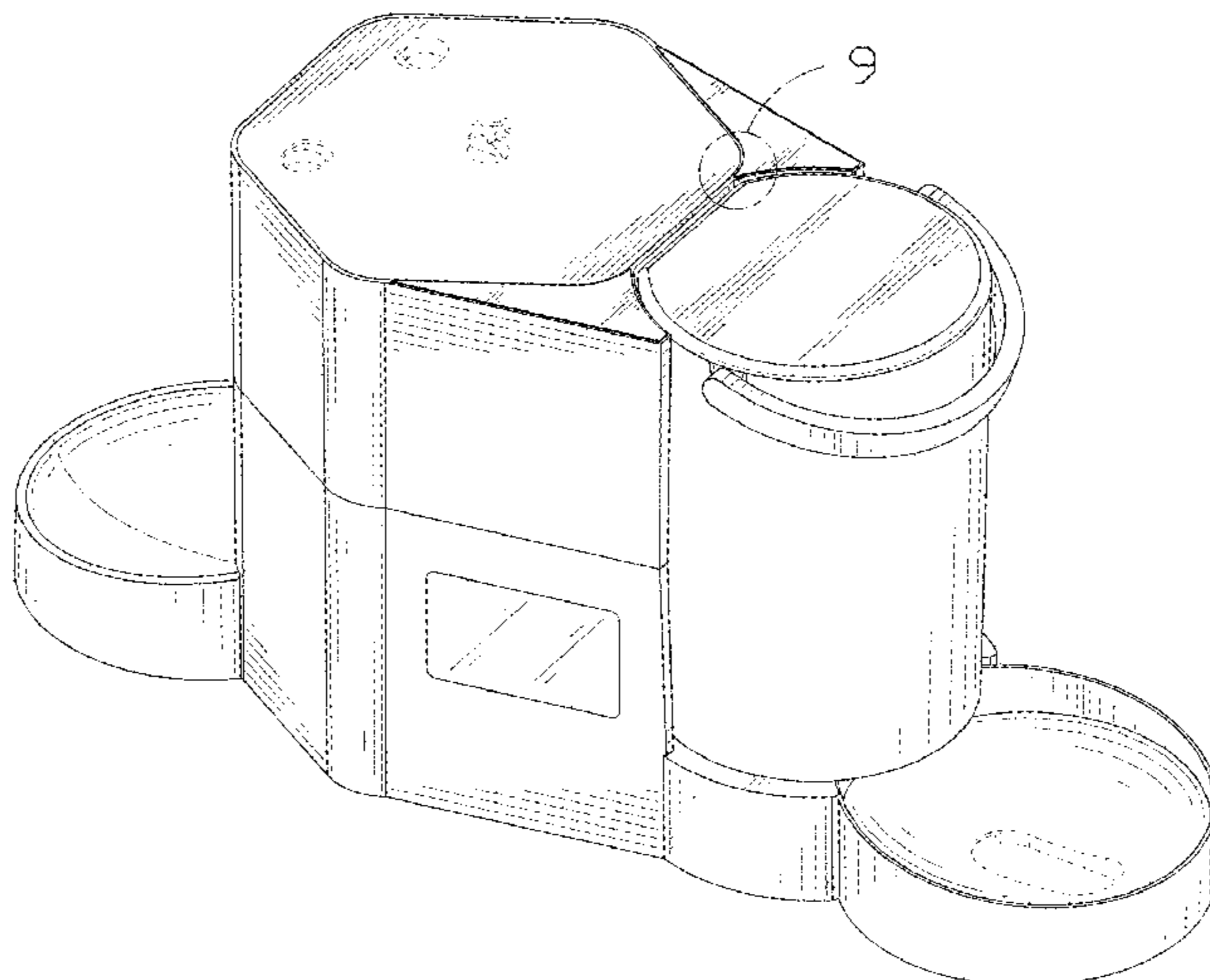
(57) **CLAIM**

The ornamental design for a feeder and waterer, as shown and described.

DESCRIPTION

FIG. 1 is a front perspective view of a feeder and waterer, showing my new design;
FIG. 2 is a rear perspective view thereof;
FIG. 3 is a front view thereof;
FIG. 4 is a rear view thereof;
FIG. 5 is a left side view thereof;
FIG. 6 is a right side view thereof;
FIG. 7 is a top view thereof;
FIG. 8 is a bottom view thereof; and,
FIG. 9 is a partial enlargement of FIG. 1.
The broken lines in the drawings illustrate the portions of the feeder and waterer, which form no part of the claimed design.
The dot-dash lines in FIGS. 1 and 9 are used to indicate the area of the enlargement portion of the feeder and waterer, and form no part of the design claim.

1 Claim, 9 Drawing Sheets



(58) **Field of Classification Search**
 CPC . B05B 11/00; B05B 11/0002; B05B 11/0005;
 B05B 11/001; C02F 1/003; C02F 1/283;
 C02F 2307/02
 See application file for complete search history.

(56) **References Cited**

U.S. PATENT DOCUMENTS

3,730,141 A * 5/1973 Manning A01K 5/0114
 119/51.5
 4,840,143 A * 6/1989 Simon A01K 5/0225
 43/131
 D351,689 S * 10/1994 VanSkiver D30/132
 D374,109 S * 9/1996 Lillelund D30/121
 5,845,600 A * 12/1998 Mendes A01K 7/02
 119/51.5
 6,142,099 A * 11/2000 Lange, Jr. A01K 7/02
 119/51.5
 D455,526 S 4/2002 Chrisco et al.
 6,595,016 B1 * 7/2003 Demirkiran F25D 11/00
 62/3.62
 6,863,025 B2 * 3/2005 Ness A01K 5/0114
 119/51.5

7,895,973 B1 * 3/2011 Whelan A01K 5/025
 119/51.02
 8,272,350 B1 * 9/2012 England A01K 5/025
 222/485
 D751,774 S * 3/2016 Allen D30/122
 D858,900 S * 9/2019 Muskat D30/129
 10,757,912 B2 * 9/2020 Hill A01K 5/0114
 D945,713 S * 3/2022 Zeng D30/122
 D950,164 S * 4/2022 Jin D30/122
 D954,357 S * 6/2022 Ma D30/130
 11,470,813 B2 * 10/2022 Sayers A01K 7/02
 D969,416 S * 11/2022 Ren D30/122
 D972,227 S * 12/2022 Tan D30/122
 D983,463 S * 4/2023 Chen D30/122
 2002/0073926 A1 * 6/2002 Ness A01K 5/0114
 119/72
 2002/0096120 A1 * 7/2002 Busha A01K 7/02
 119/51.5
 2006/0196433 A1 * 9/2006 Ness A01K 5/0114
 119/52.1
 2013/0213308 A1 * 8/2013 Koskey, Jr. A01K 7/027
 119/74
 2014/0083364 A1 * 3/2014 Anderson A01K 15/02
 119/51.01
 2017/0202178 A1 * 7/2017 Gordon B65D 43/12
 2019/0053463 A1 * 2/2019 Hill A01K 5/0114

* cited by examiner

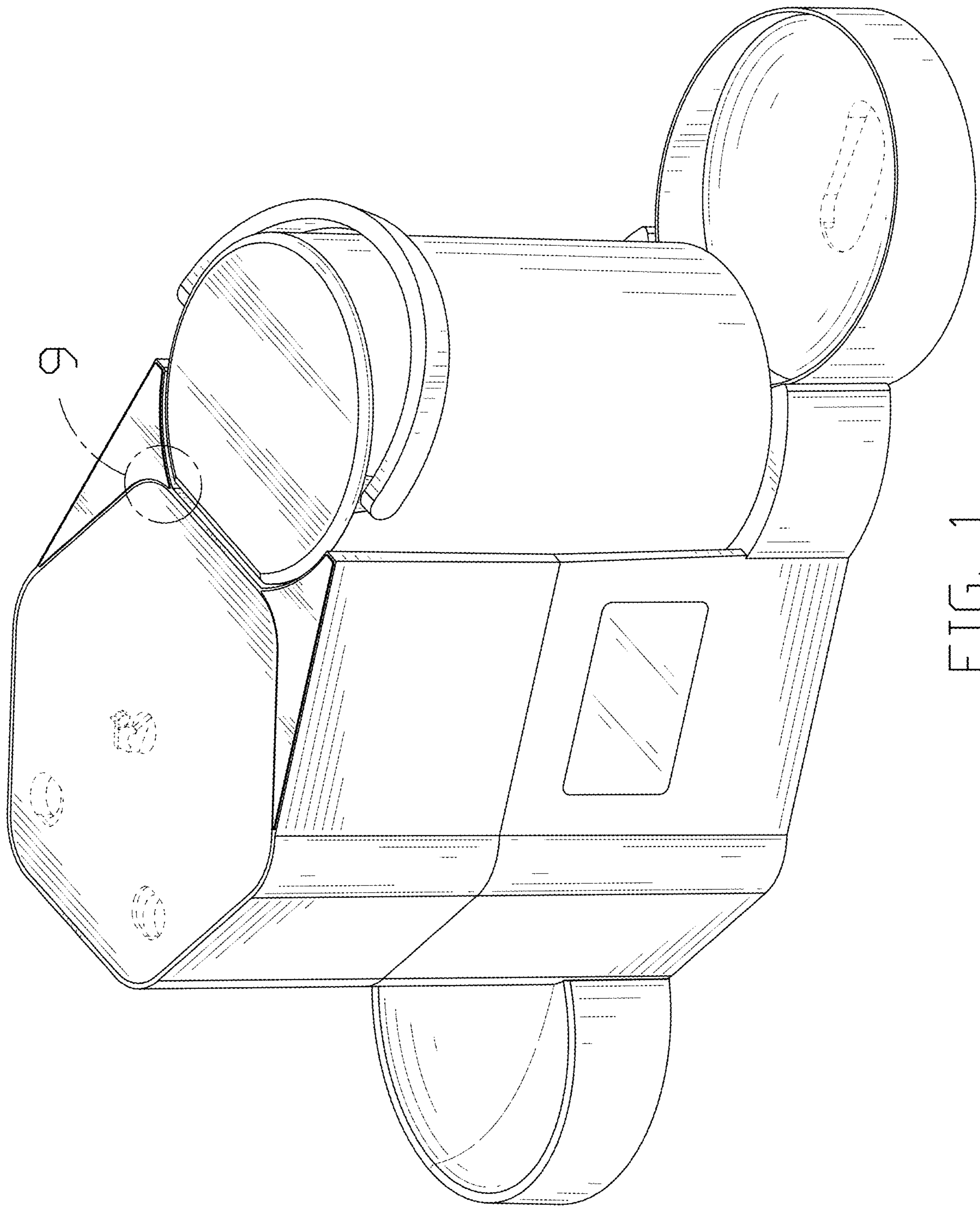


FIG. 1

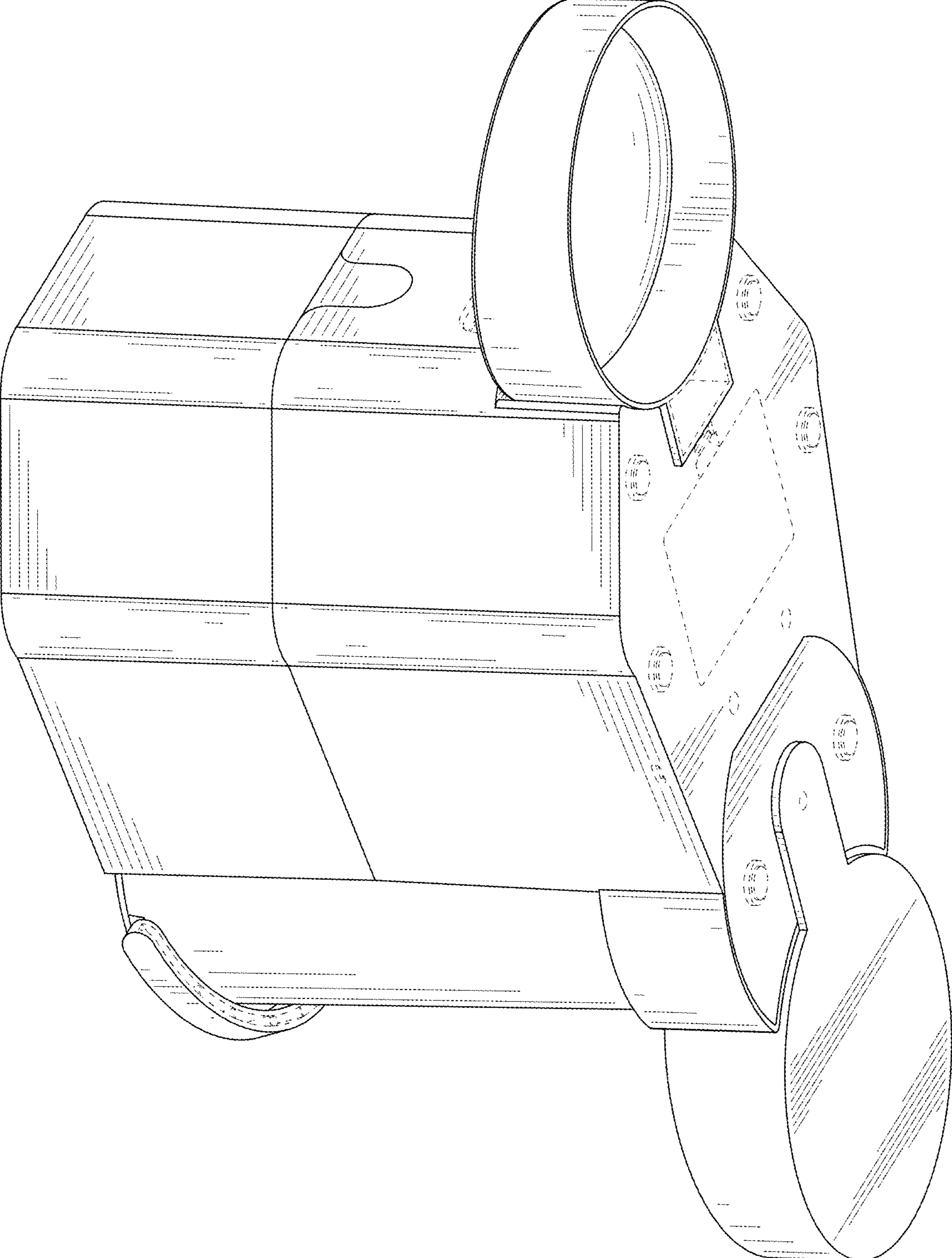


FIG. 2

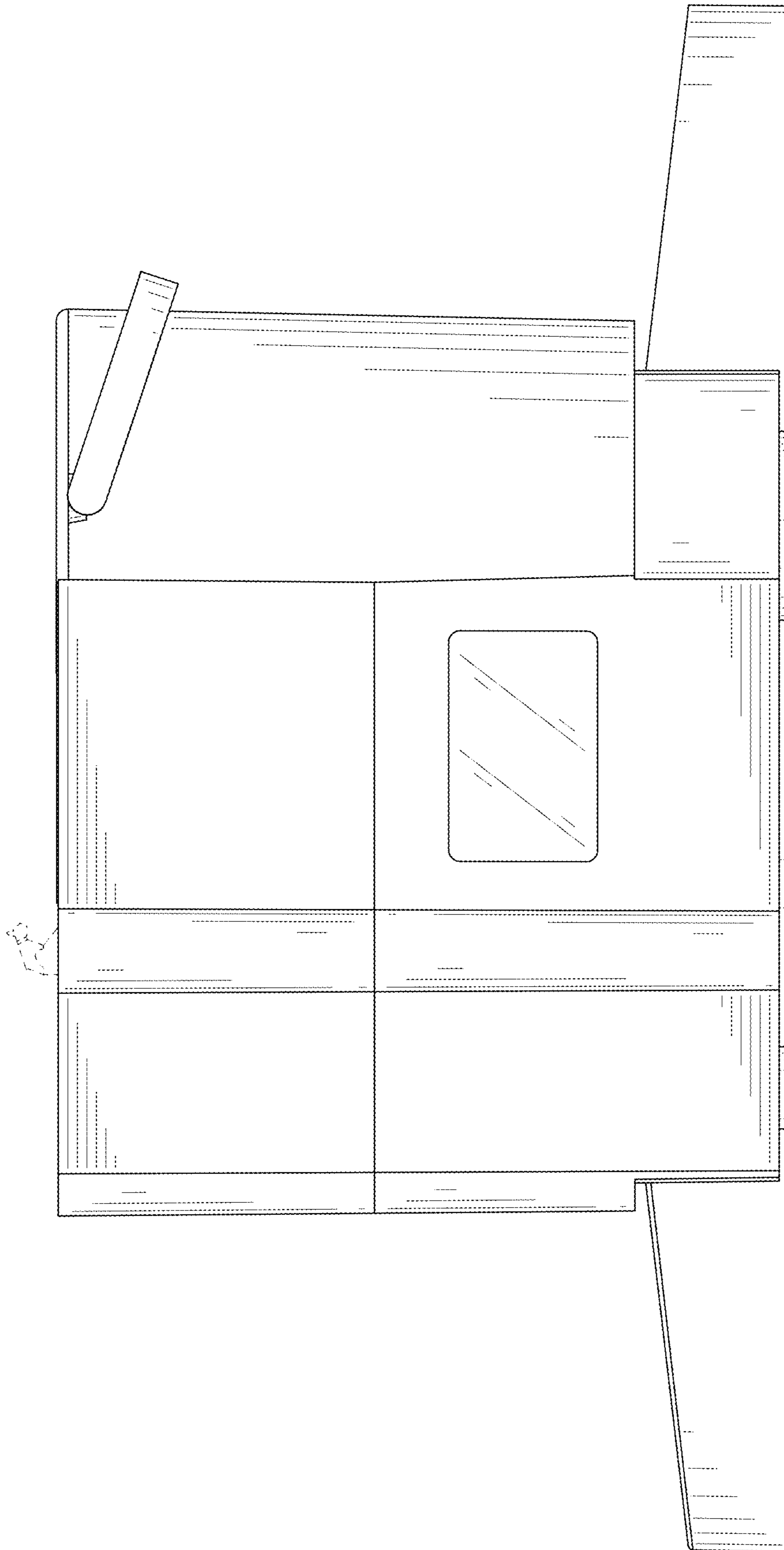


FIG. 3

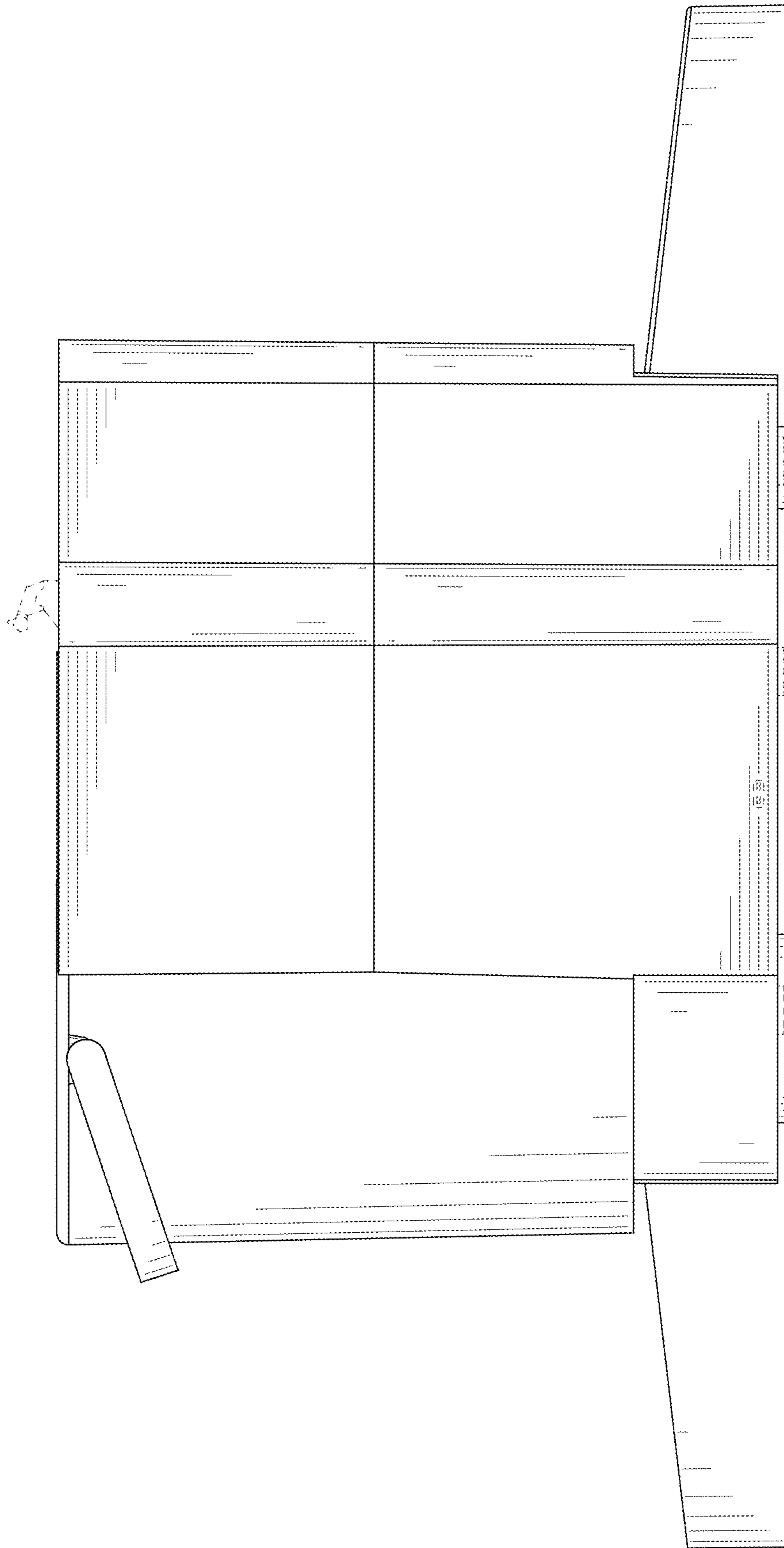


FIG. 4

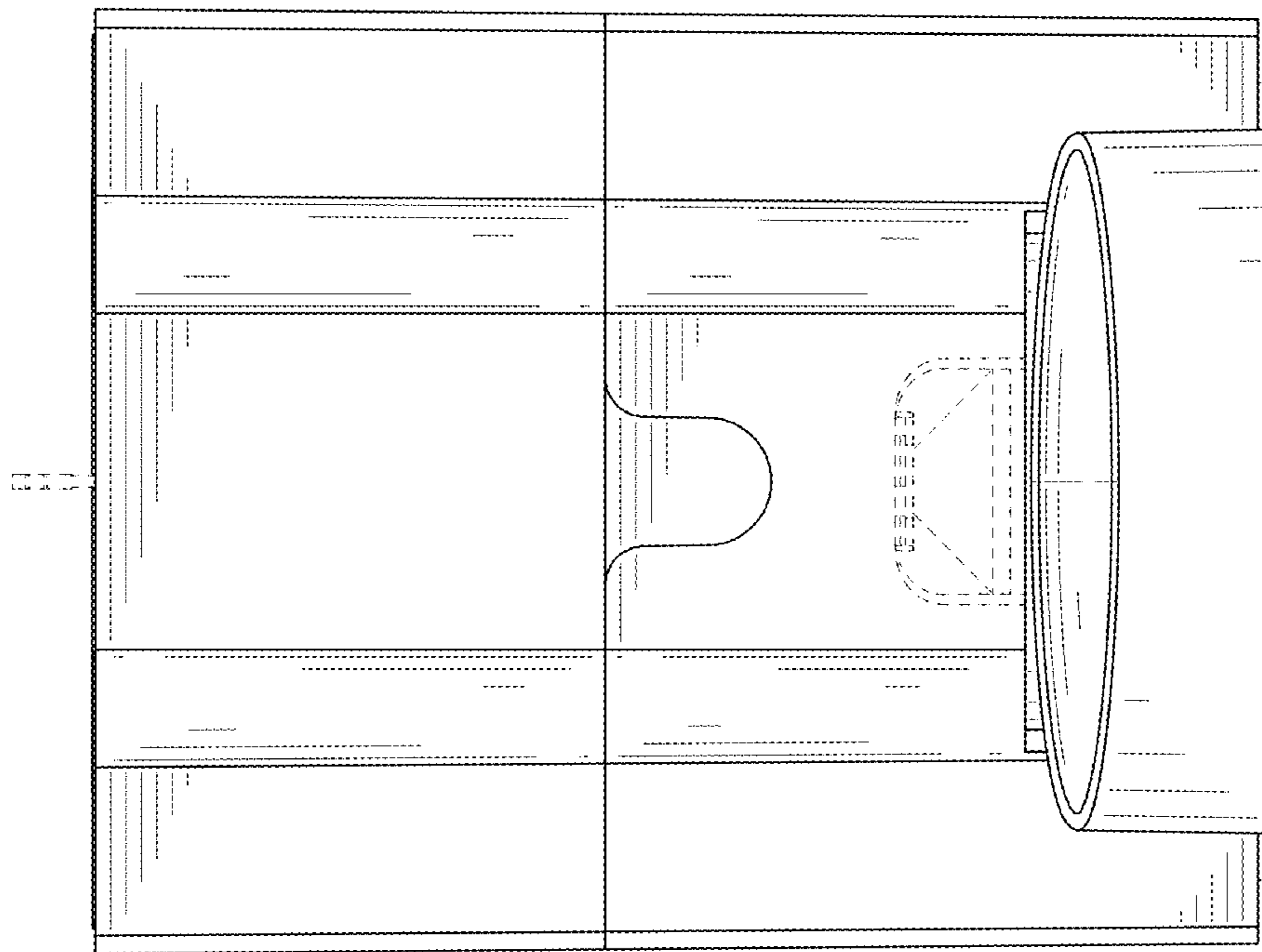


FIG. 5

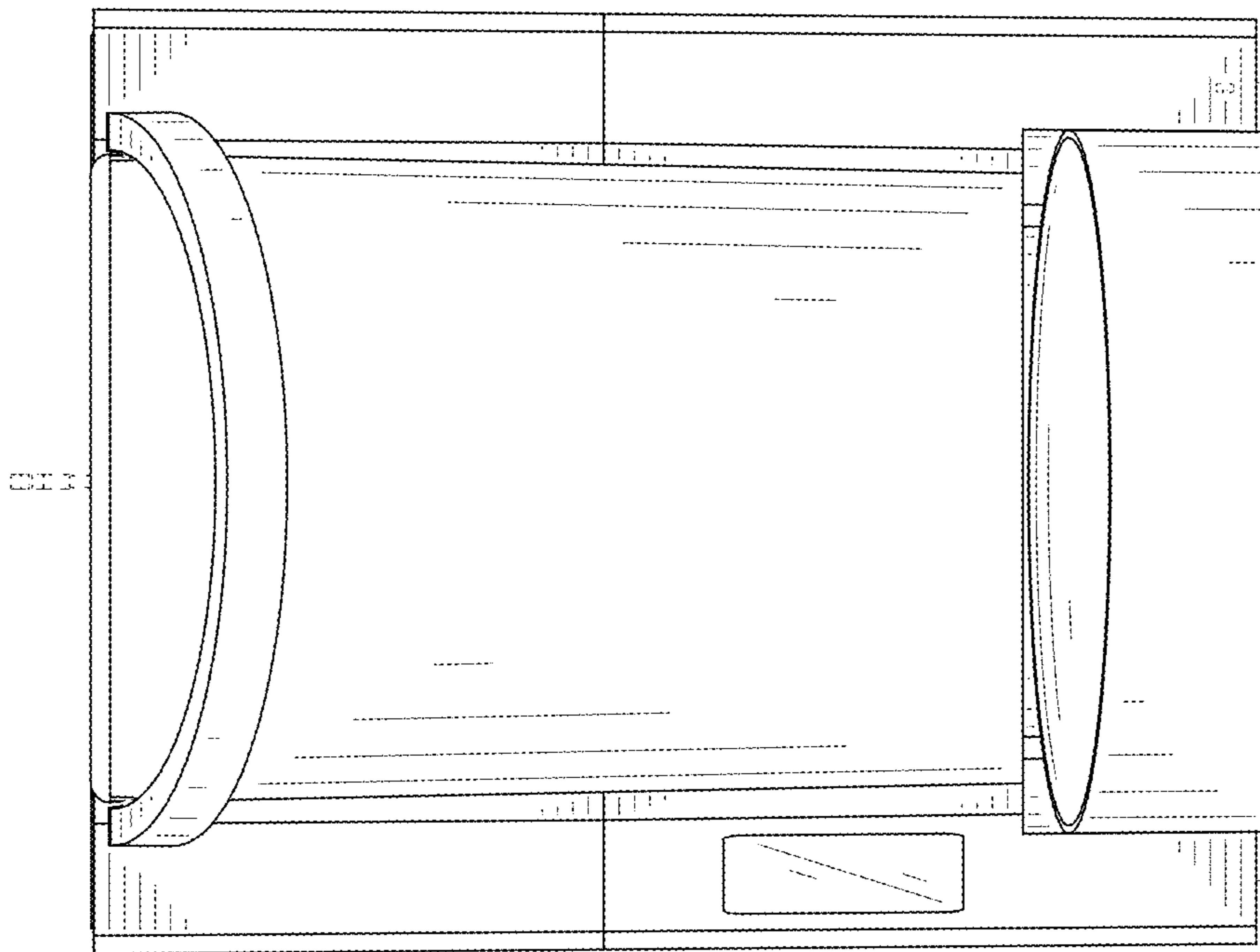


FIG. 6

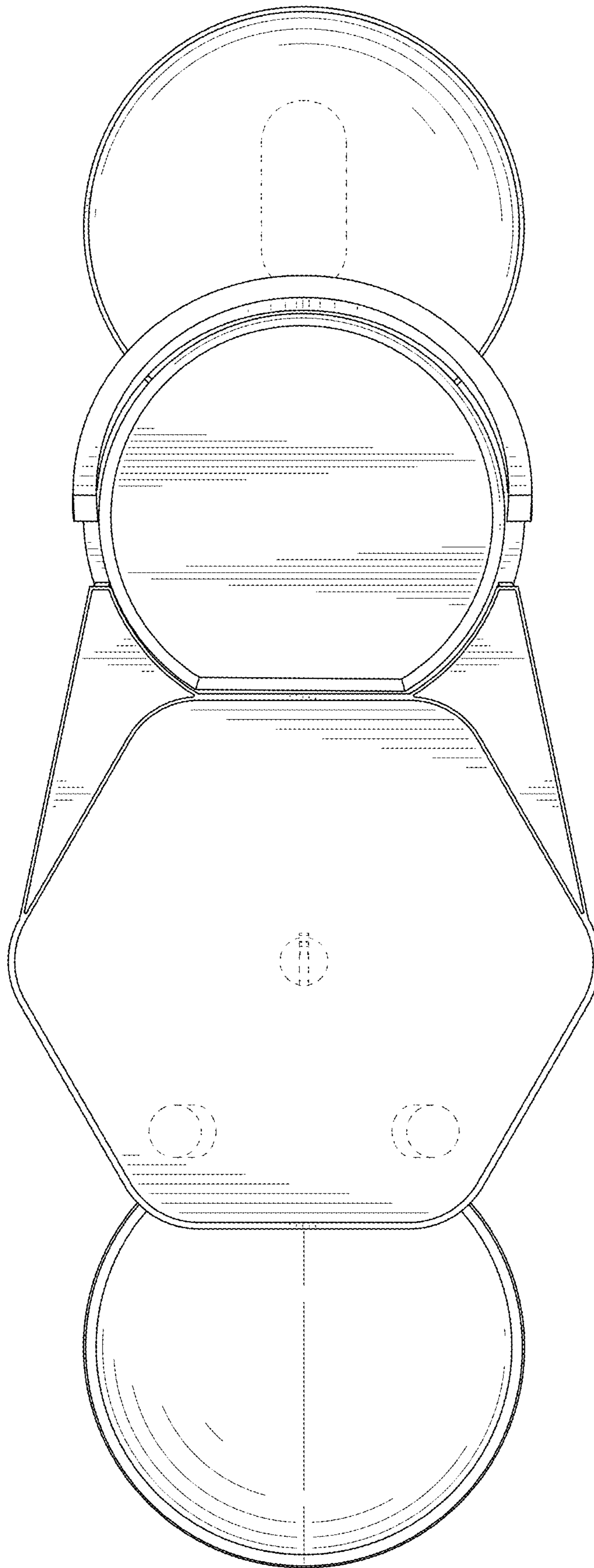


FIG. 7

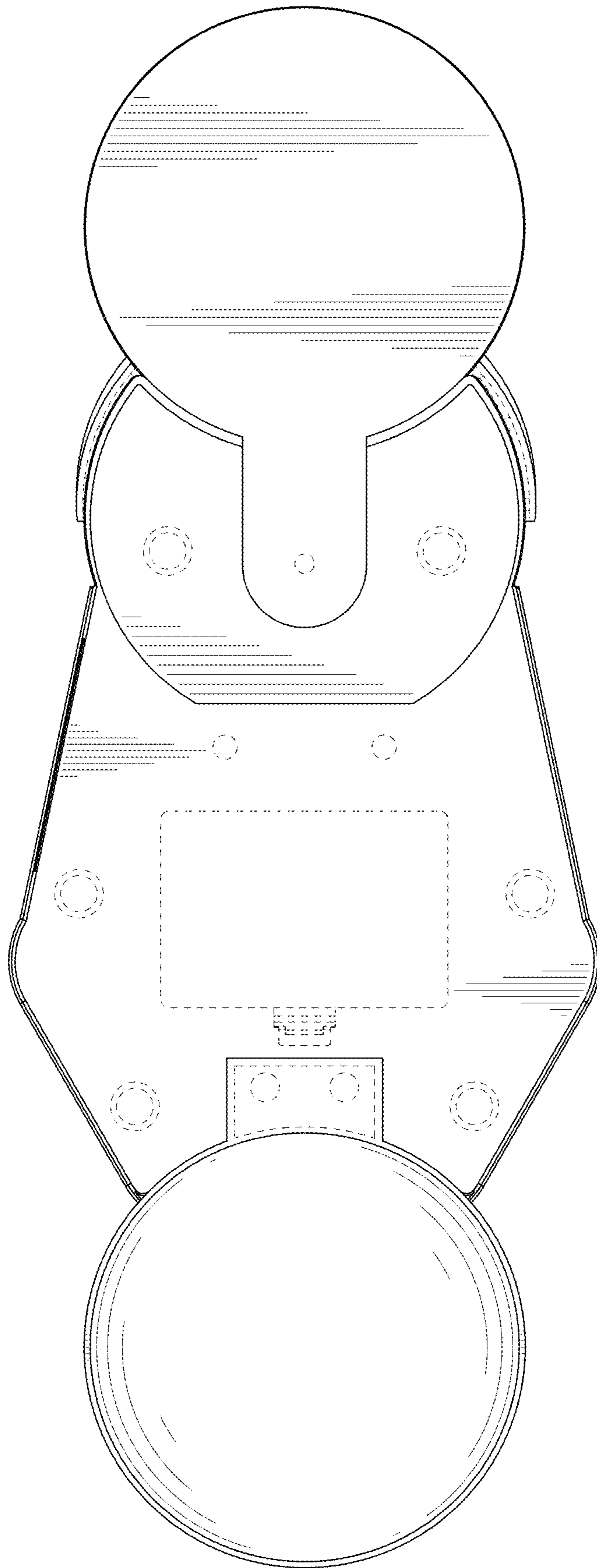


FIG. 8

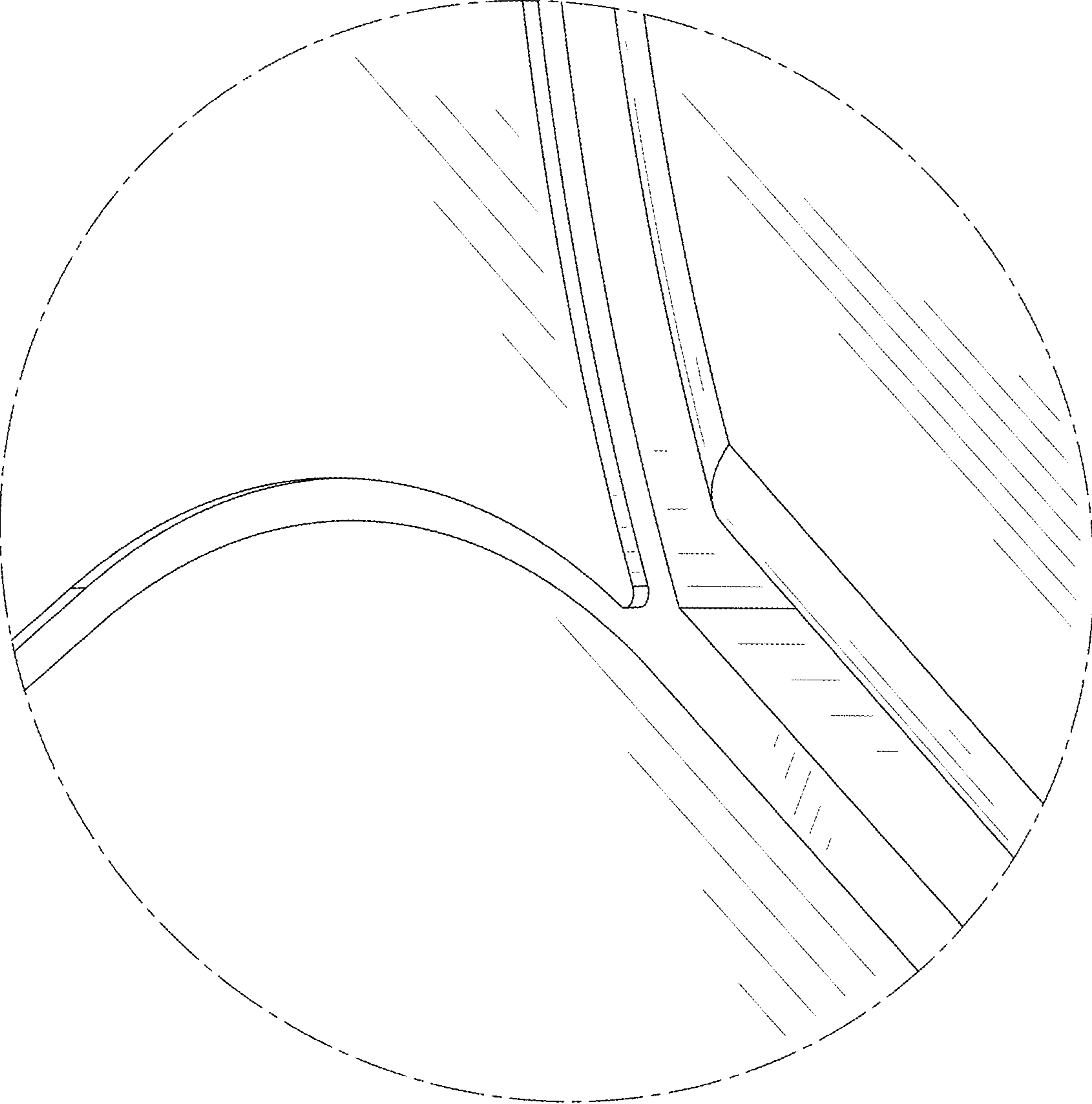


FIG. 9