



US00D989407S

(12) **United States Design Patent**  
**Rousseau et al.**

(10) **Patent No.:** **US D989,407 S**  
(45) **Date of Patent:** **\*\* Jun. 13, 2023**

(54) **SAFETY INTERLOCK FOR A FIRE EXTINGUISHER**

(71) Applicant: **RUSOH, Inc.**, Eau Claire, WI (US)

(72) Inventors: **Hector Rousseau**, Riverside, CA (US);  
**Randy Rousseau**, Riverside, CA (US);  
**Ryan Barrows**, Eau Claire, WI (US);  
**Justun Seymour**, Eau Claire, WI (US)

(73) Assignee: **Rusoh, Inc.**, Eau Claire, WI (US)

(\*\*) Term: **15 Years**

(21) Appl. No.: **29/802,524**

(22) Filed: **Aug. 5, 2021**

**Related U.S. Application Data**

(60) Division of application No. 29/683,438, filed on Mar. 13, 2019, now Pat. No. Des. 929,049, which is a  
(Continued)

(51) **LOC (14) Cl.** ..... **29-01**

(52) **U.S. Cl.**  
USPC ..... **D29/130**

(58) **Field of Classification Search**  
USPC ..... D29/125, 126, 128, 129, 130; D8/330,  
D8/331, 336, 337, 338  
CPC ..... A62C 35/13; A62C 5/008; A62C 13/02;  
A62C 13/20; A62C 8/00; A62C 13/64;  
A62C 13/76; A62C 99/00; A62C 25/005  
See application file for complete search history.

(56) **References Cited**

**U.S. PATENT DOCUMENTS**

D315,860 S \* 4/1991 Joss ..... D8/367  
D458,110 S \* 6/2002 Landeros ..... D8/338  
(Continued)

*Primary Examiner* — Kimberly Barnes

(57) **CLAIM**

The ornamental design for a safety interlock for a fire extinguisher, as shown and described.

**DESCRIPTION**

This application incorporates by reference in its entirety and claims priority from the following applications:

U.S. application Ser. No. 29/612,238 filed Jul. 31, 2017, entitled Fire Extinguisher, that issued as USD843,068 on Mar. 12, 2019;

U.S. application Ser. No. 29/505,639 filed Dec. 24, 2015, entitled Fire Extinguisher, that issued as USD796,121 on Aug. 29, 2017; and

U.S. application Ser. No. 29/526,021 filed May 5, 2015, entitled Fire Extinguisher, that issued as USD777,991 on Jan. 31, 2017.

FIG. 1 is a top right perspective view of a safety interlock for a fire extinguisher showing our new design;

FIG. 2 is a right-side view of the safety interlock for a fire extinguisher of FIG. 1 shown without the fire extinguisher, the left side view is a mirror image of the right side view;

FIG. 3 is a front view of the safety interlock for a fire extinguisher of FIG. 2;

FIG. 4 is a rear view of the safety interlock for a fire extinguisher of FIG. 2;

FIG. 5 is a bottom view of the safety interlock for a fire extinguisher of FIG. 2;

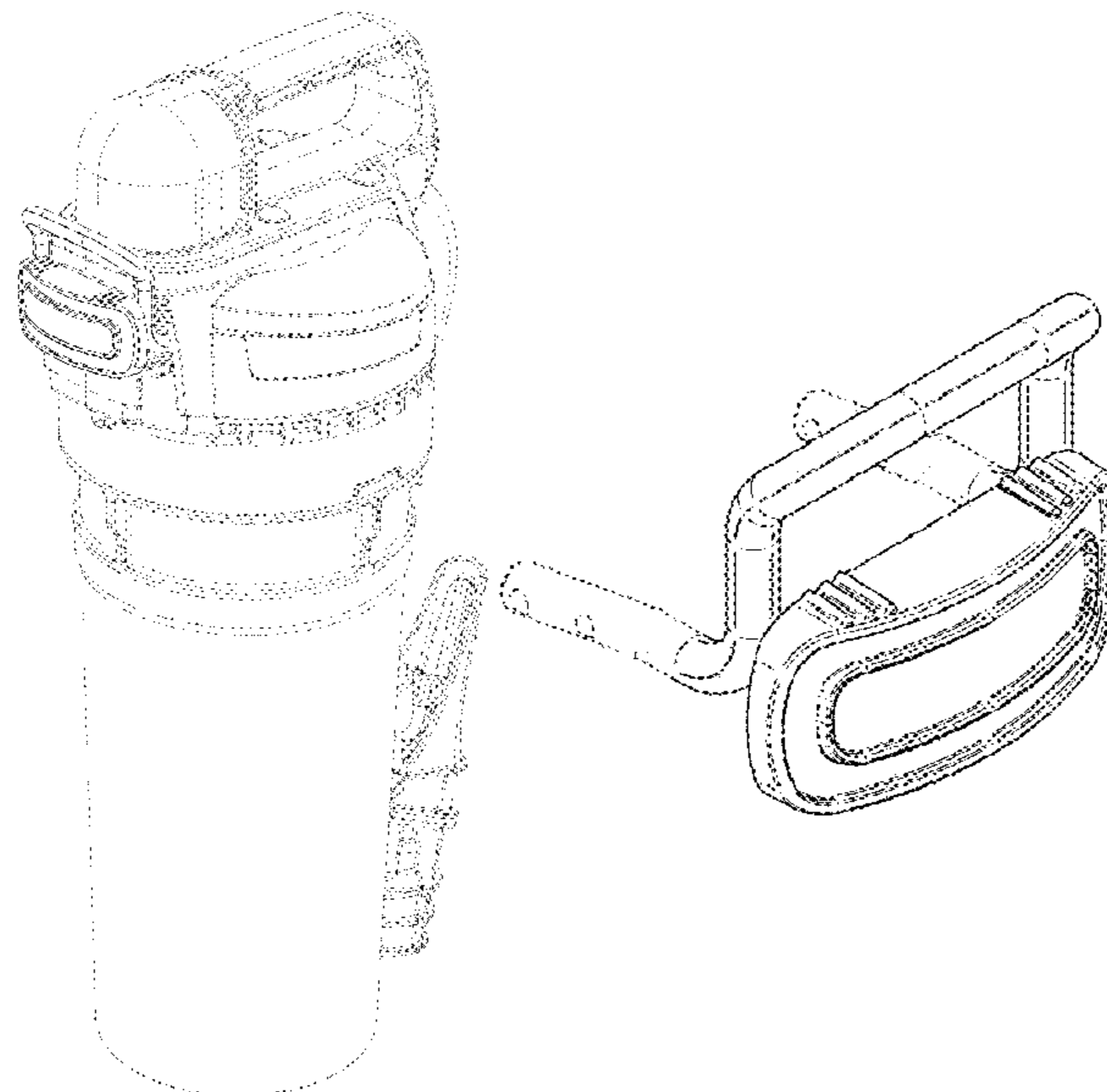
FIG. 6 is a top view of the safety interlock for a fire extinguisher of FIG. 2;

FIG. 7 is a top left perspective view of the safety interlock for a fire extinguisher of FIG. 2; and,

FIG. 8 is a top left perspective view of the safety interlock for a fire extinguisher of FIG. 2 shown in an alternate configuration.

The features shown in broken lines in the figures depict environmental subject matter only and form no part of the claimed design.

**1 Claim, 5 Drawing Sheets**



**Related U.S. Application Data**

continuation-in-part of application No. 15/975,100, filed on May 9, 2018, now Pat. No. 10,926,119, which is a continuation-in-part of application No. 14/704,820, filed on May 5, 2015, now Pat. No. 9,993,673.

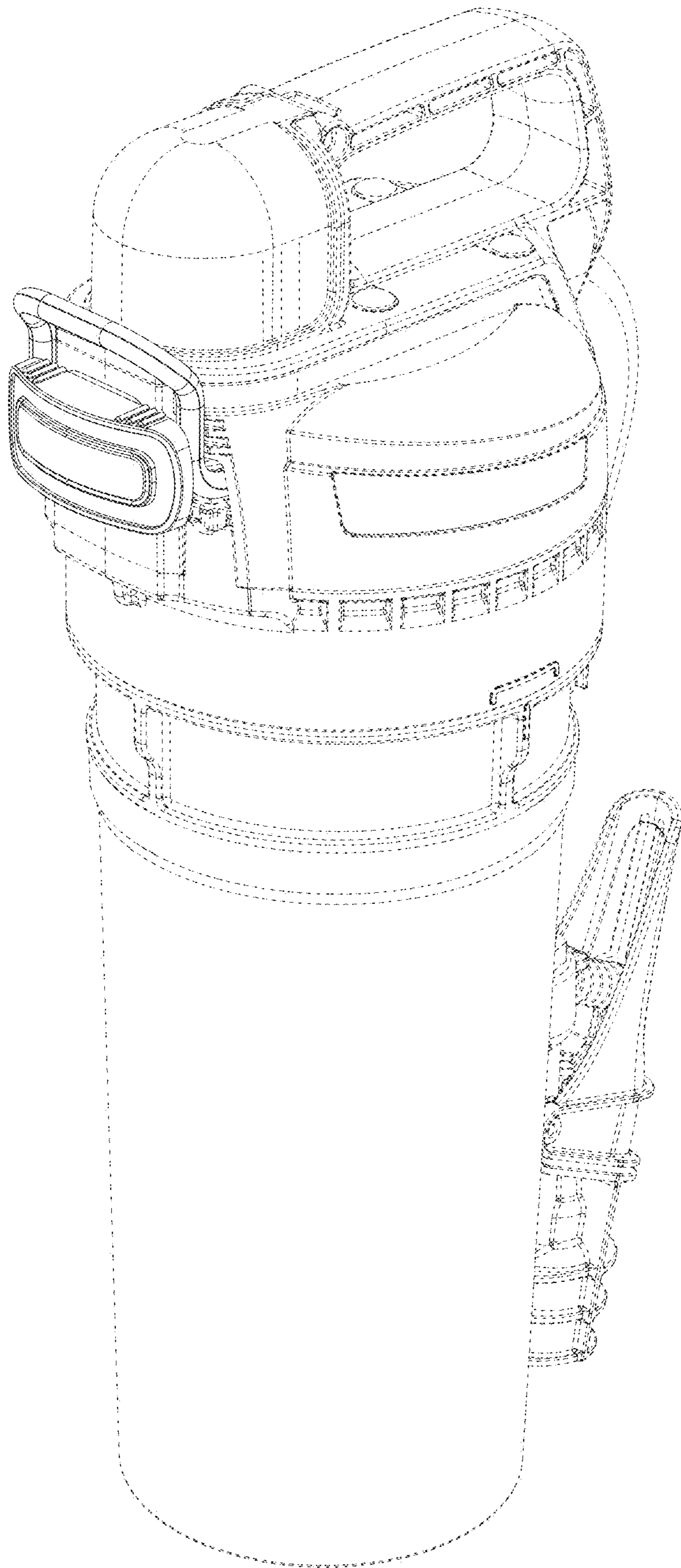
(56)

**References Cited**

U.S. PATENT DOCUMENTS

D472,450	S *	4/2003	Vito .....	D8/331
D516,899	S *	3/2006	Anderson .....	D8/367
D704,527	S *	5/2014	Liu .....	D8/330
9,144,699	B1 *	9/2015	Wang .....	B05B 9/0833
D777,991	S *	1/2017	Rousseau .....	D29/125
9,993,673	B2 *	6/2018	Rousseau .....	A62C 13/76
D944,462	S *	2/2022	Seymour .....	D29/125
D950,163	S *	4/2022	Cantwell .....	D30/119
11,383,115	B1 *	7/2022	Rousseau .....	A62C 37/50

\* cited by examiner



**FIG. 1**

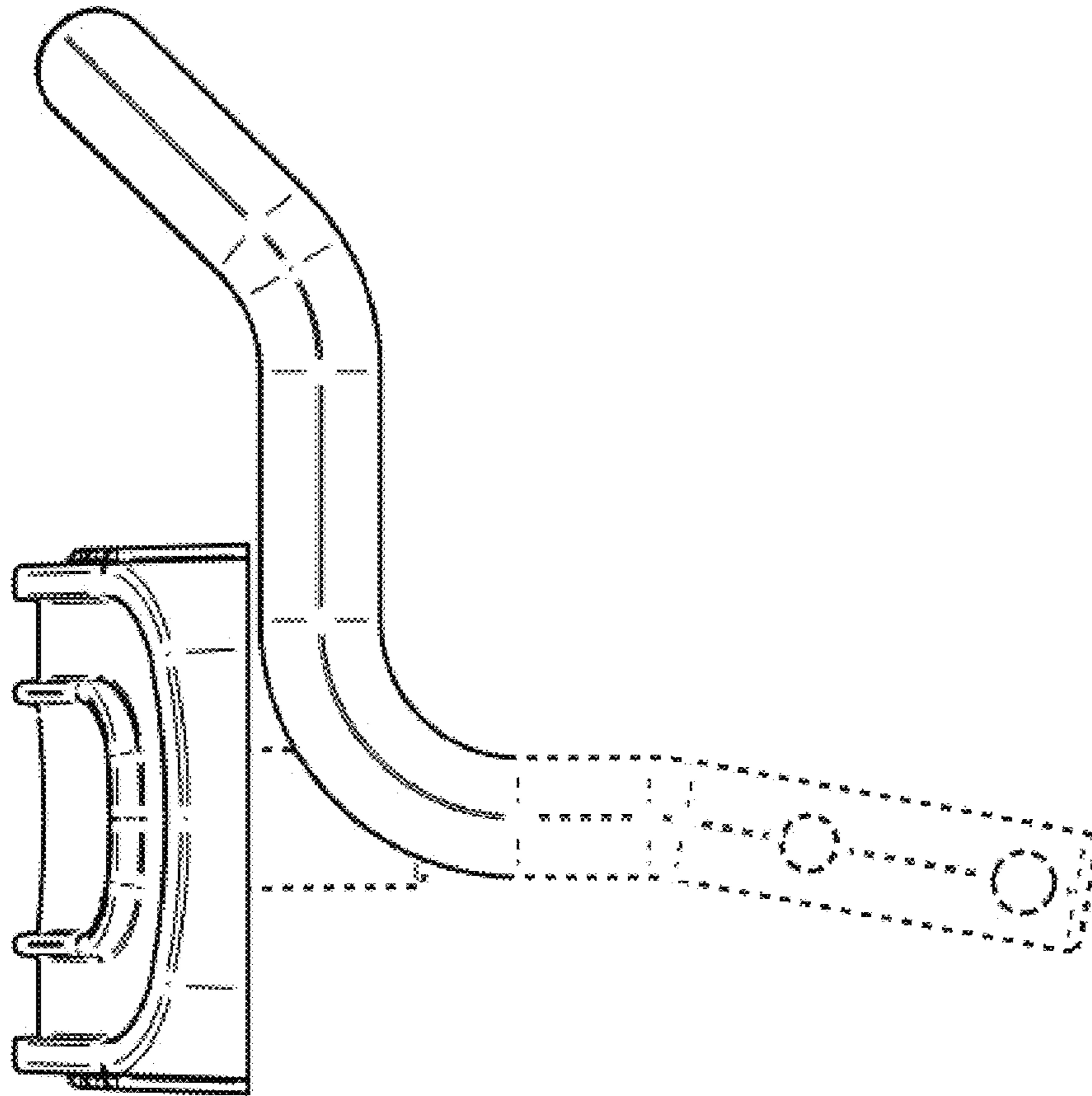


FIG. 2

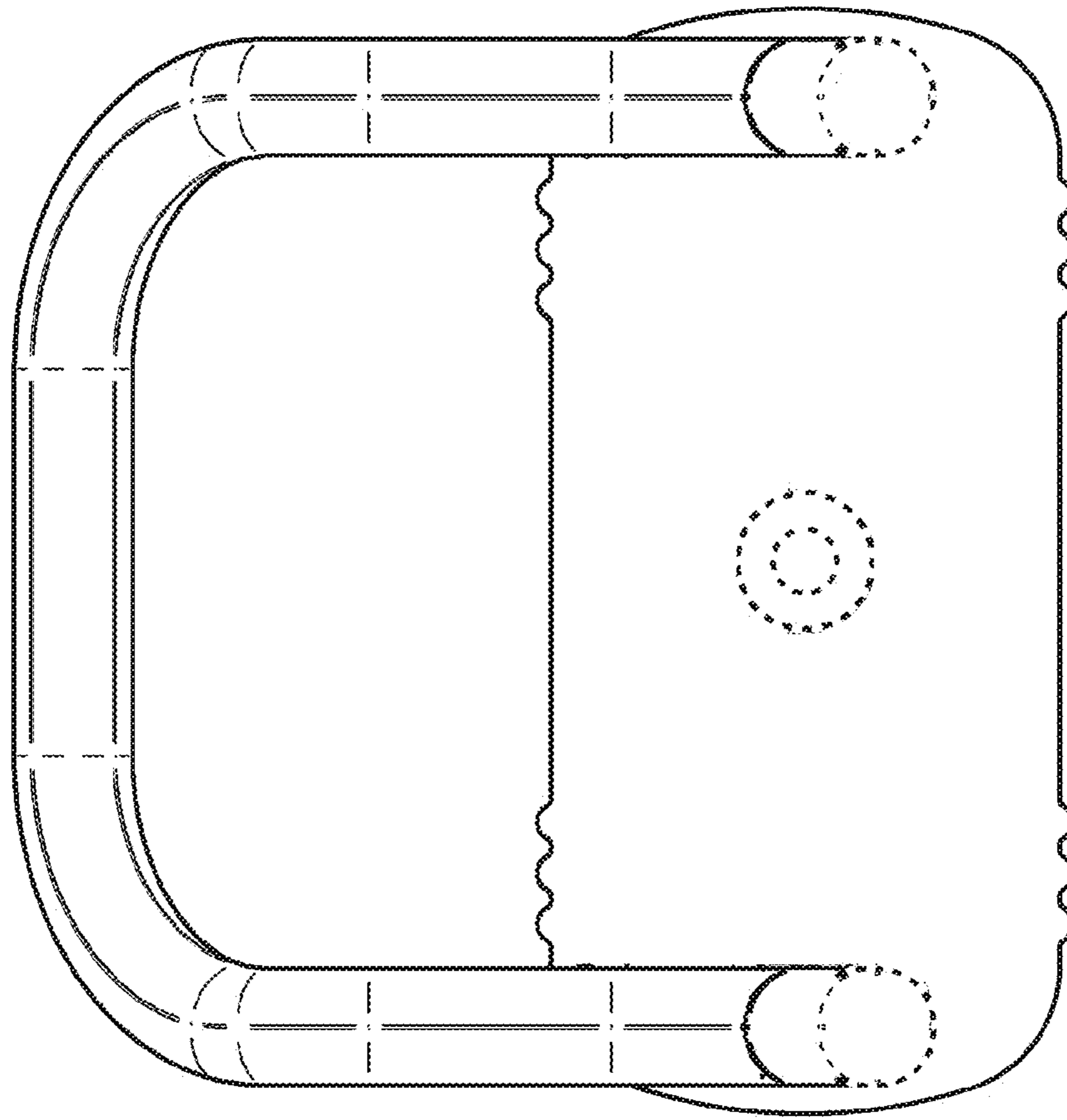


FIG. 4

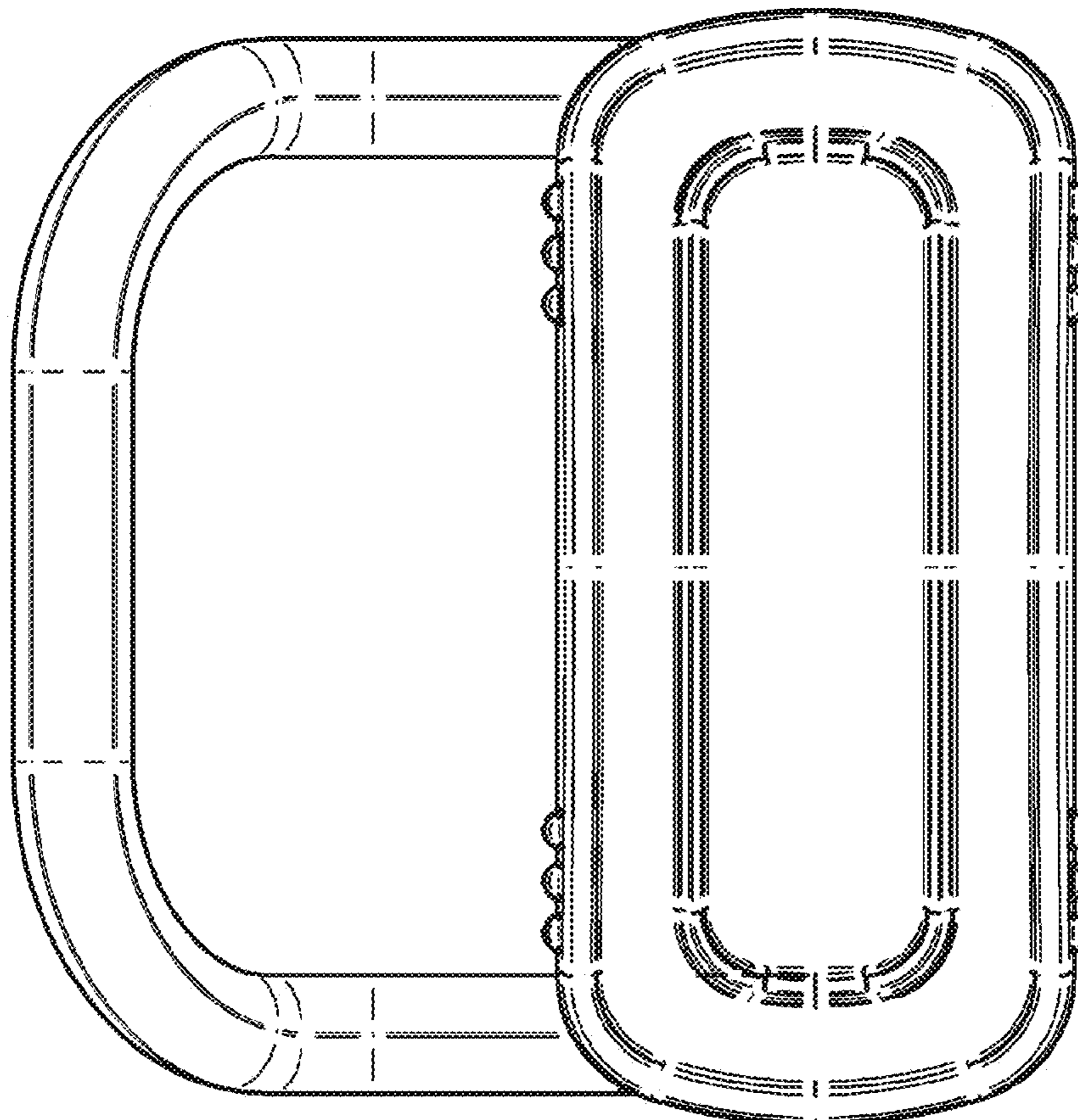


FIG. 3

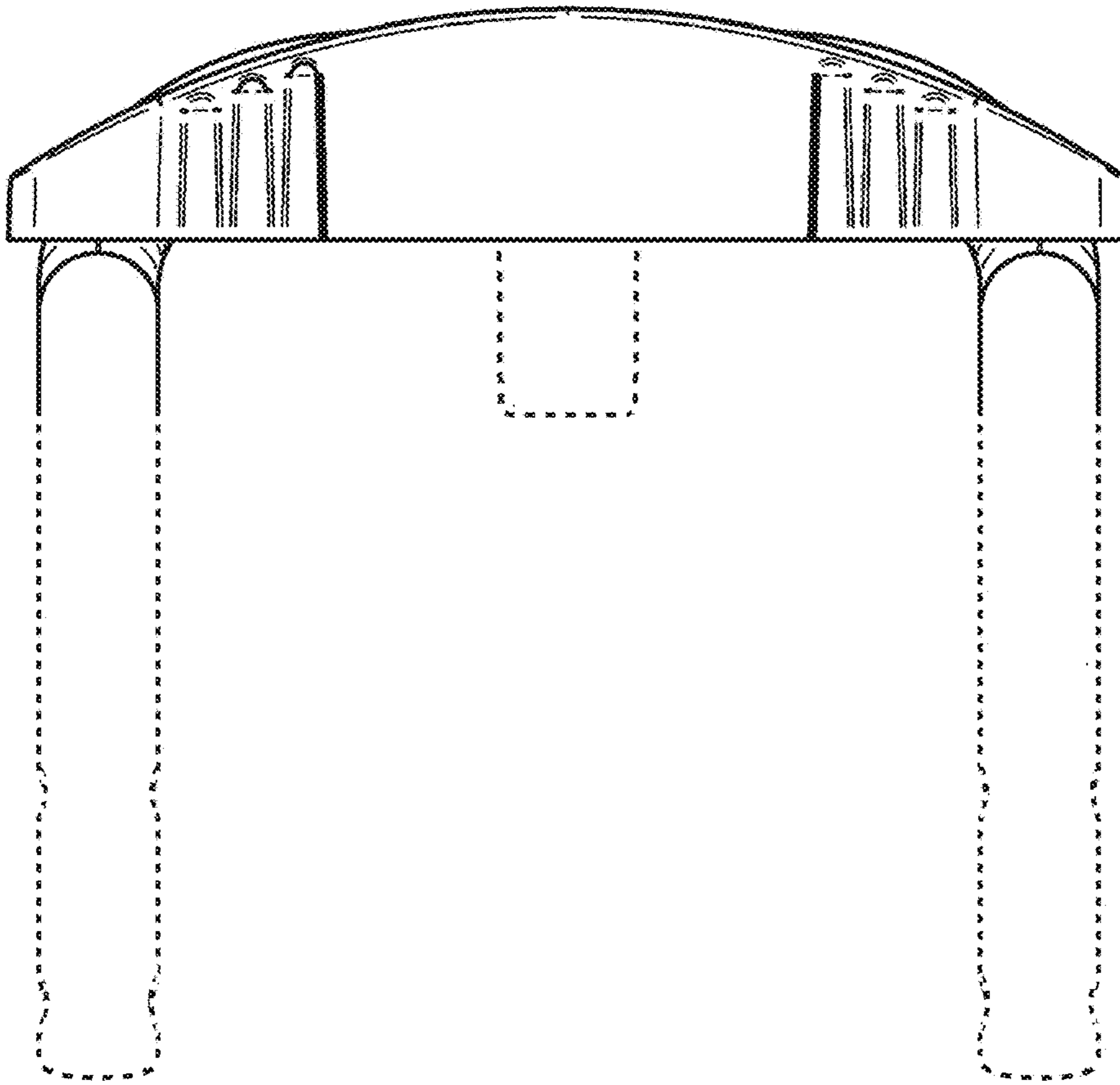


FIG. 5

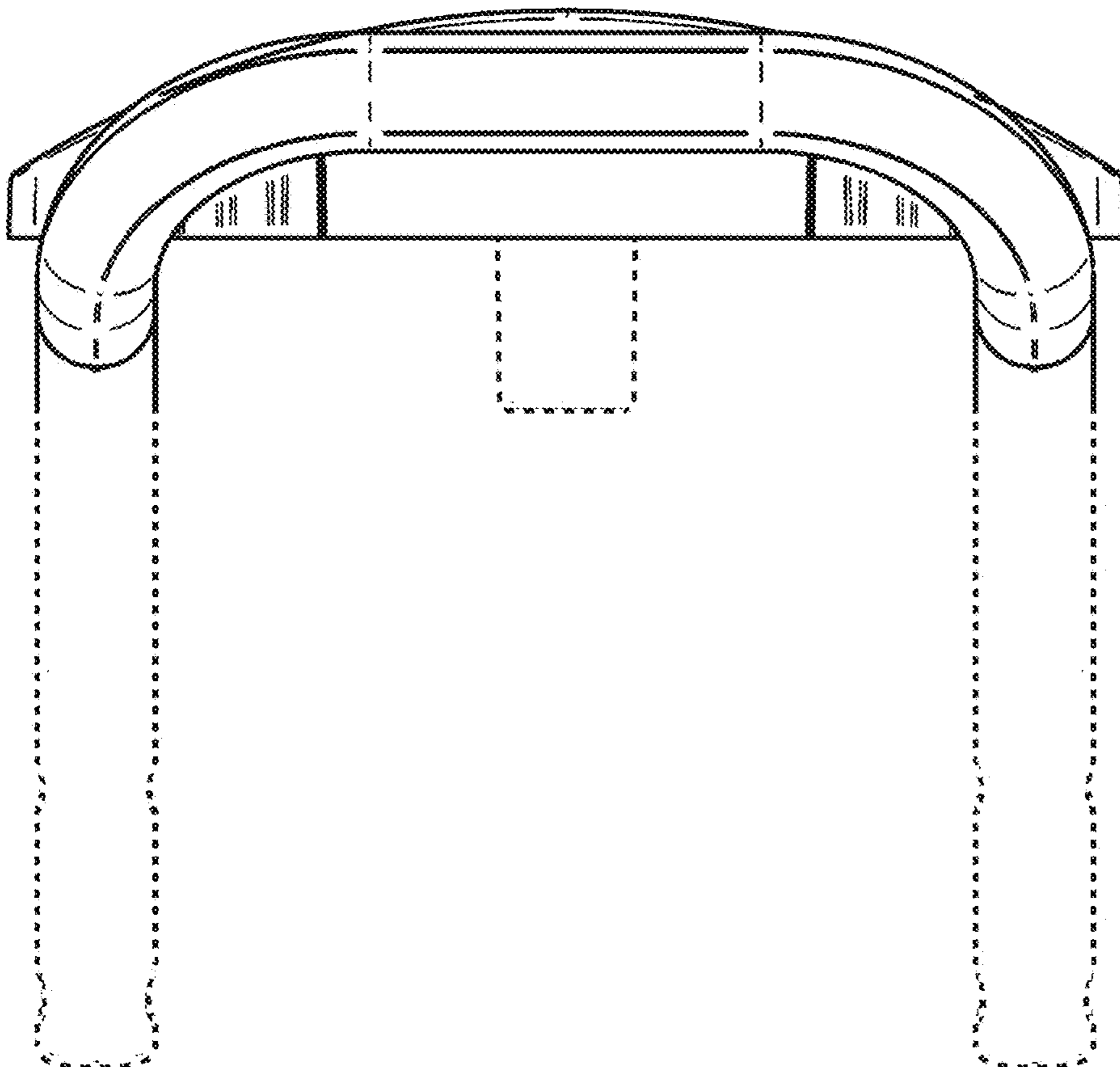


FIG. 6

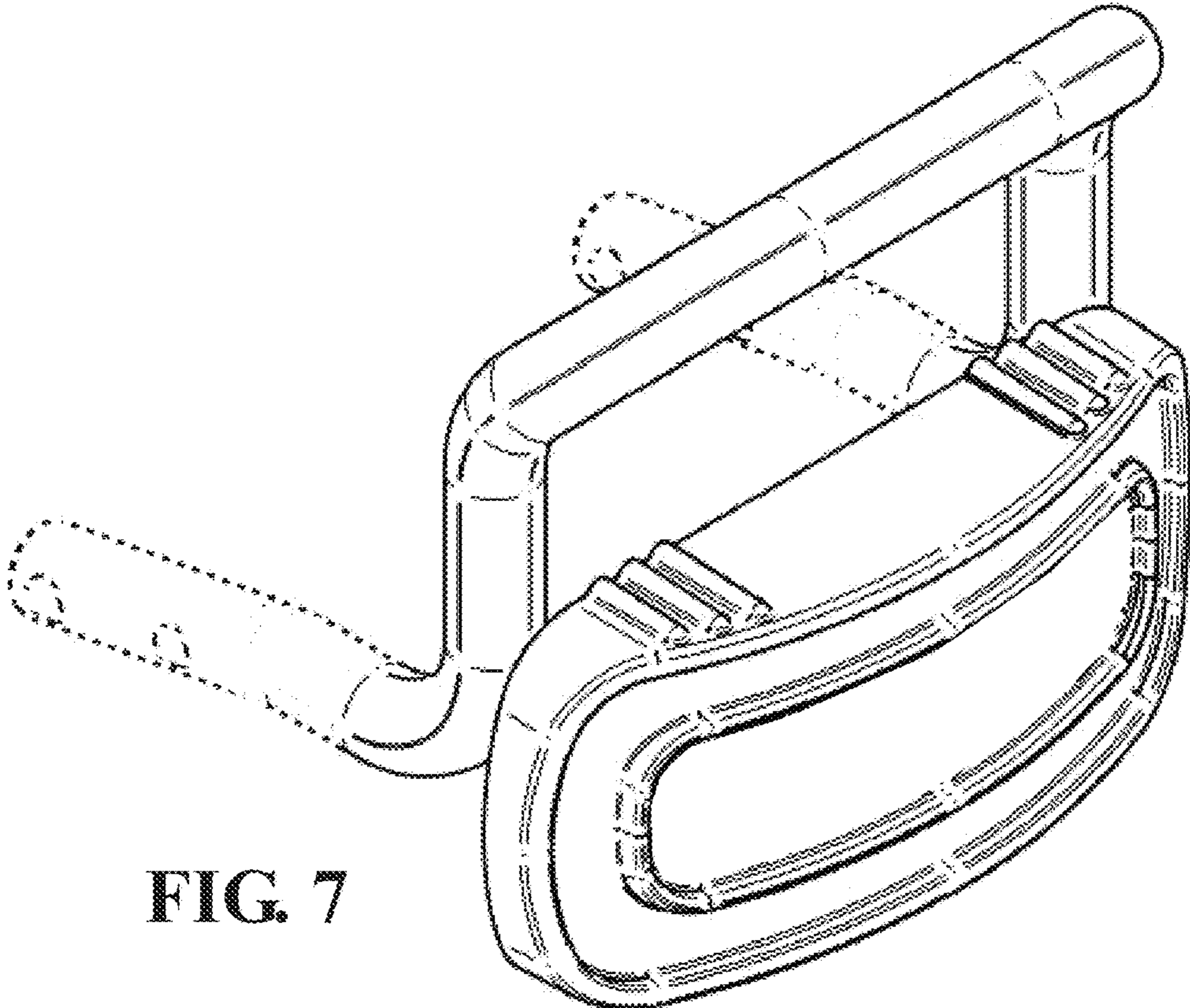


FIG. 7

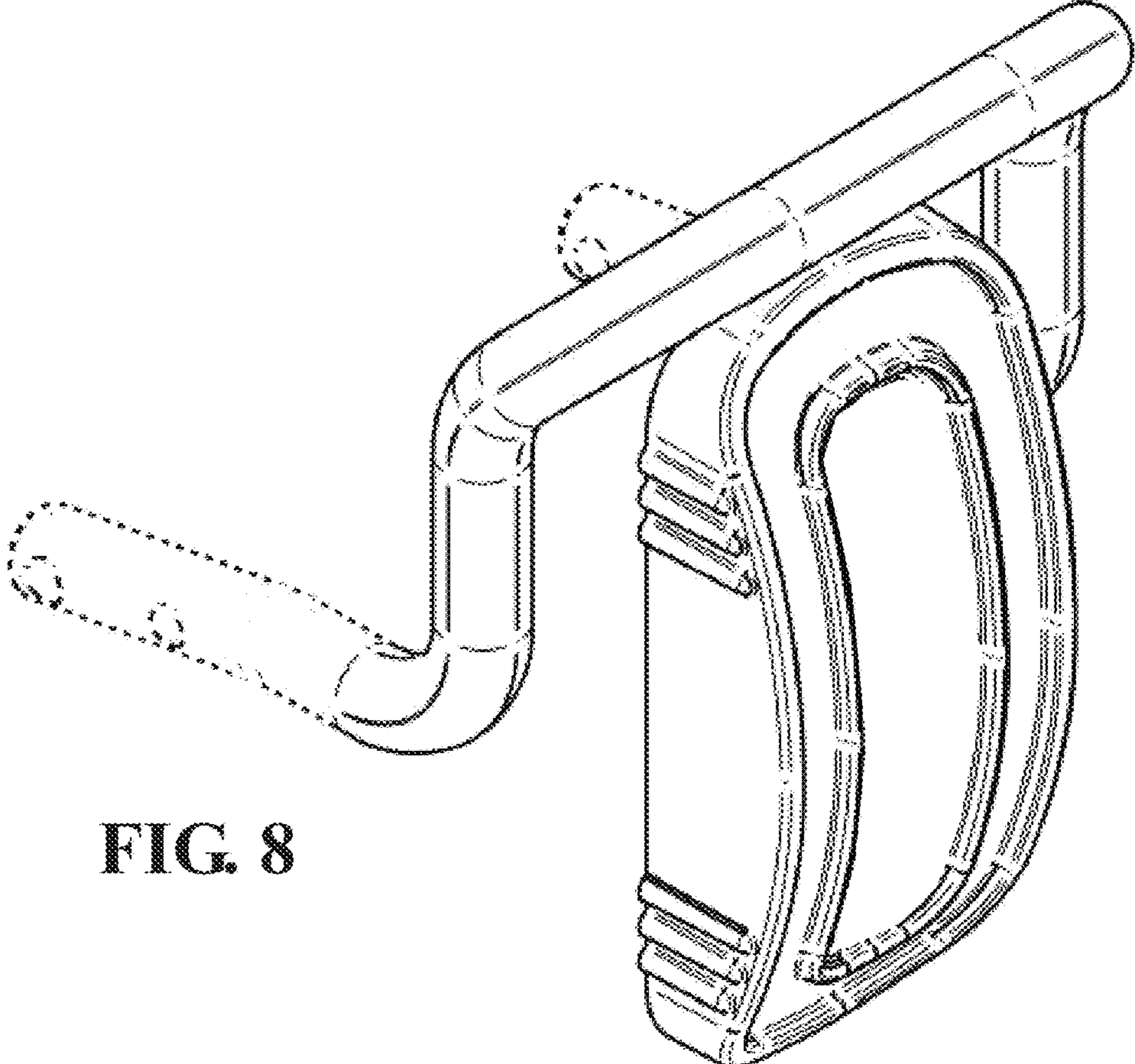


FIG. 8