



US00D989405S

(12) **United States Design Patent**  
**Seymour**

(10) **Patent No.:** **US D989,405 S**

(45) **Date of Patent:** **\*\* Jun. 13, 2023**

(54) **FIRE EXTINGUISHER DISCHARGE VALVE**

5/18; F23N 2005/181; F23N 2005/182;  
F23N 5/184; F23N 2005/185; F23N  
5/187; F23N 5/188; G08B 5/00; G08B  
5/002; B63G 8/40

(71) Applicant: **Rusoh, Inc.**, Eau Claire, WI (US)

(72) Inventor: **Justun Seymour**, Eau Claire, WI (US)

See application file for complete search history.

(73) Assignee: **Rusoh, Inc.**, Eau Claire, WI (US)

(56) **References Cited**

(\*\*) Term: **15 Years**

U.S. PATENT DOCUMENTS

(21) Appl. No.: **29/694,196**

D147,933 S \* 11/1947 Stroop ..... D29/129  
D172,454 S \* 6/1954 Wagner ..... D29/129

(22) Filed: **Jun. 7, 2019**

(Continued)

(51) **LOC (14) Cl.** ..... **29-01**

(52) **U.S. Cl.**

OTHER PUBLICATIONS

USPC ..... **D29/129**

(58) **Field of Classification Search**

USPC ..... D3/201, 203.1, 203.6, 203.7, 203.8, 247,  
D3/248, 249, 303; D8/2, 21, 22, 23, 24,  
D8/25, 26, 27, 28, 29, 71, 72, 107, 30,  
D8/303, 306, 349, 354, 355, 356, 382,  
D8/394, 395, 396, 397, 398, 499, 300;  
D29/124, 125, 126, 128, 129, 130;  
D10/104.1, 109.1, 109.2, 121

Harding Fire, "5 Common Questions About Fire Extinguishers Answered", first available Jul. 12, 2017. (<https://hardingfire.com/5-common-questions-fire-extinguishers-answered/>) (Year: 2017).\*

(Continued)

CPC .. A61F 17/00; A62B 1/00; A62B 1/08; A62B  
1/10; A62B 1/12; A62B 1/14; A62B 1/16;  
A62B 1/18; A62B 1/20; A62B 17/00;  
A62B 25/00; A62B 25/005; A62B 1/06;  
A62C 2/00; A62C 3/00; A62C 3/07;  
A62C 8/00; A62C 11/00; A62C 11/005;  
A62C 13/00; A62C 13/003; A62C  
13/006; A62C 13/02; A62C 13/04; A62C  
13/06; A62C 13/08; A62C 13/10; A62C  
13/12; A62C 13/14; A62C 13/16; A62C  
13/18; A62C 13/20; A62C 13/22; A62C  
13/62; A62C 13/64; A62C 13/66; A62C  
13/68; A62C 13/70; A62C 13/72; A62C  
13/74; A62C 13/76; A62C 13/78; A62C  
35/20; A62C 99/00; A62C 99/0009; A62C  
99/0018; A62C 99/0027; A62C 99/0036;  
A62C 99/0045; A62C 99/0054; A62C  
99/0063; A62C 99/0072; A62C 99/0081;  
A62C 99/009; B60R 2011/0071; F23N

*Primary Examiner* — Lauren D McVey  
*Assistant Examiner* — Justin A Johnson

(57) **CLAIM**

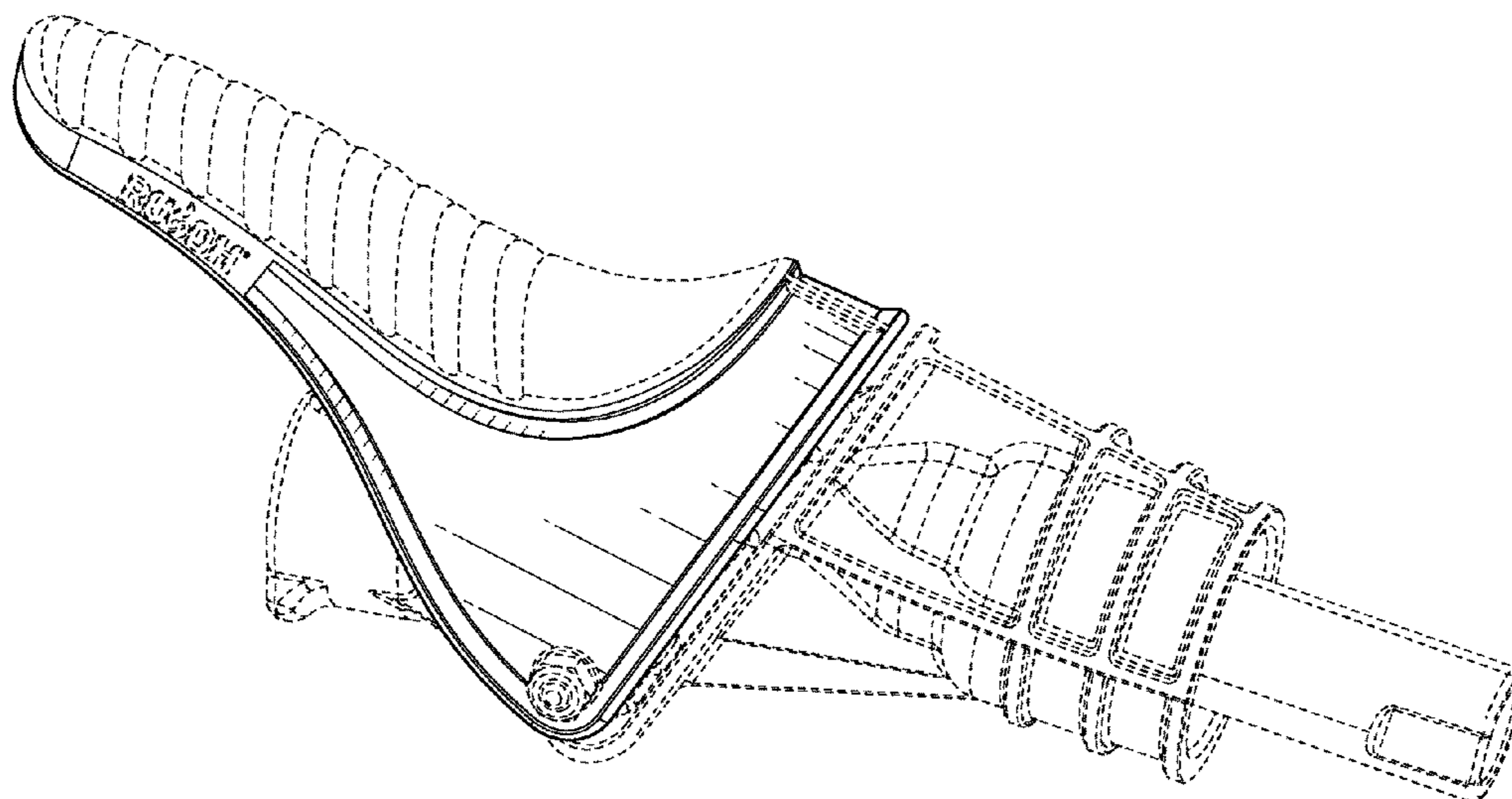
The ornamental design for a fire extinguisher discharge valve, as shown and described.

**DESCRIPTION**

FIG. 1 is a perspective view of a fire extinguisher discharge valve, showing our new design;  
FIG. 2 is a side view thereof;  
FIG. 3 is another side view thereof;  
FIG. 4 is a rear view thereof;  
FIG. 5 is a front view thereof;  
FIG. 6 is a top view thereof; and,  
FIG. 7 is a bottom view thereof.

The evenly spaced broken lines in the drawings illustrate portions of the fire extinguisher discharge valve and form no part of the claimed design.

**1 Claim, 5 Drawing Sheets**



(56)

**References Cited**

U.S. PATENT DOCUMENTS

2,736,385 A \* 2/1956 Siebens ..... A62C 31/00  
 169/74  
 2,924,280 A \* 2/1960 Carter ..... A62C 13/003  
 169/89  
 D207,995 S \* 6/1967 Howard ..... D29/129  
 4,019,584 A \* 4/1977 Allmendinger ..... A62C 13/64  
 169/74  
 D290,298 S \* 6/1987 Sinclair ..... D23/225  
 D334,826 S \* 4/1993 McSheffrey ..... D23/213  
 D572,108 S \* 7/2008 Hughes ..... D8/107  
 D588,435 S \* 3/2009 Soreo ..... D8/107  
 D649,295 S \* 11/2011 Clishe ..... A62C 31/00  
 D29/129  
 D823,547 S \* 7/2018 Rousseau ..... A62C 13/64  
 D29/125  
 2019/0001168 A1\* 1/2019 Choi ..... A62C 13/64

OTHER PUBLICATIONS

Rusoh, "A Revolution In Portable Fire Extinguishers Is Here!", first available May 29, 2017. (<https://web.archive.org/web/20170529041216/http://www.rusoh.com:80/>) (Year: 2017).\*

Winner Fire Hose, "5KG CO2 Fire Extinguisher Safety Valve", first accessed Feb. 24, 2021. ([http://www.winnerfirehose.com/5kg-co2-fire-extinguisher-safety-valve\\_p214.html](http://www.winnerfirehose.com/5kg-co2-fire-extinguisher-safety-valve_p214.html)) (Year: 2021).\*

Corofloat, "Eliminator® Re-Loadable Fire Extinguisher", first accessed Feb. 24, 2021. (<https://www.coroflot.com/JustunSeymour/Eliminator-Re-Loadable-Fire-Extinguisher>) (Year: 2021).\*

\* cited by examiner

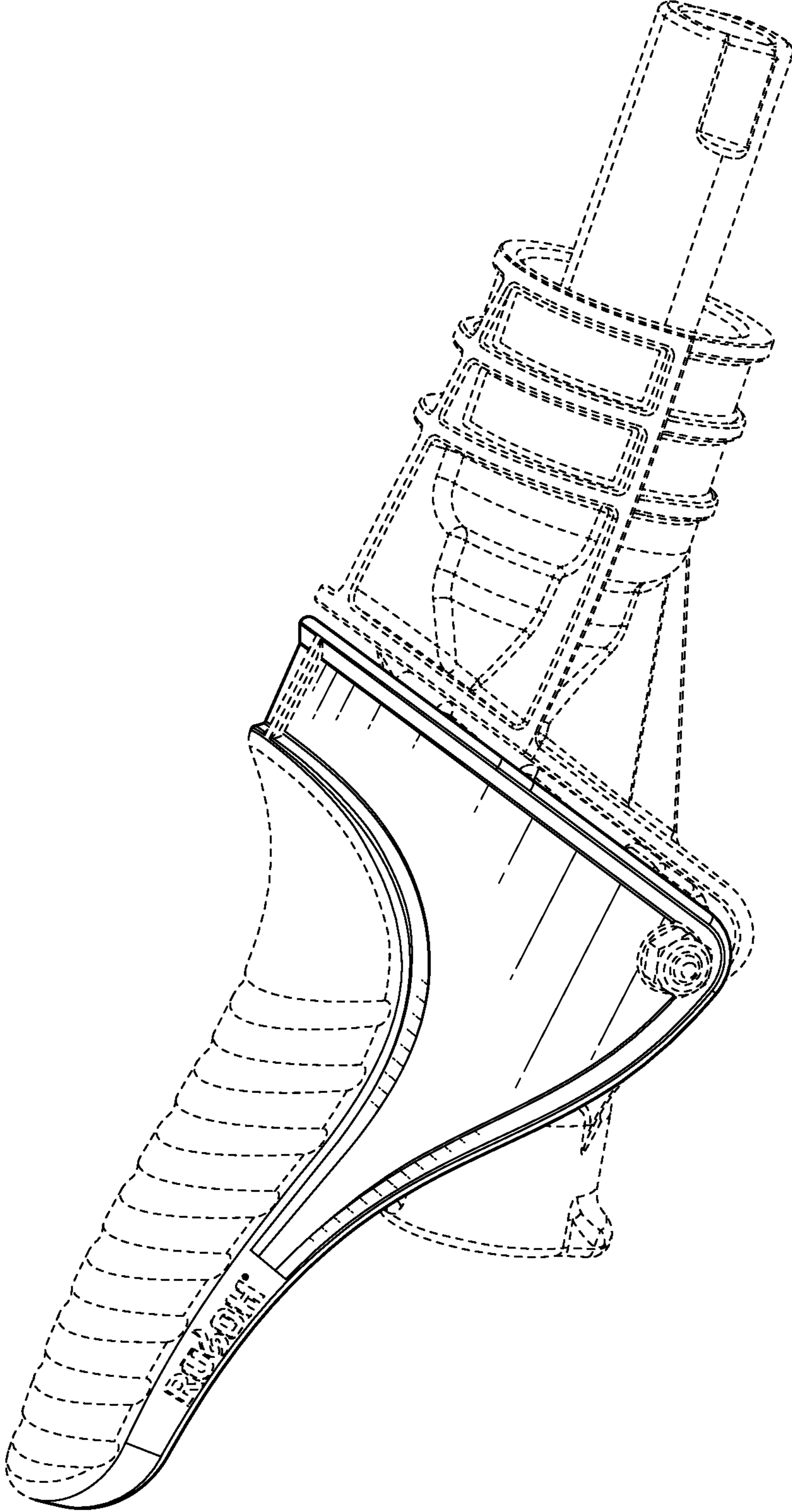


FIG. 1

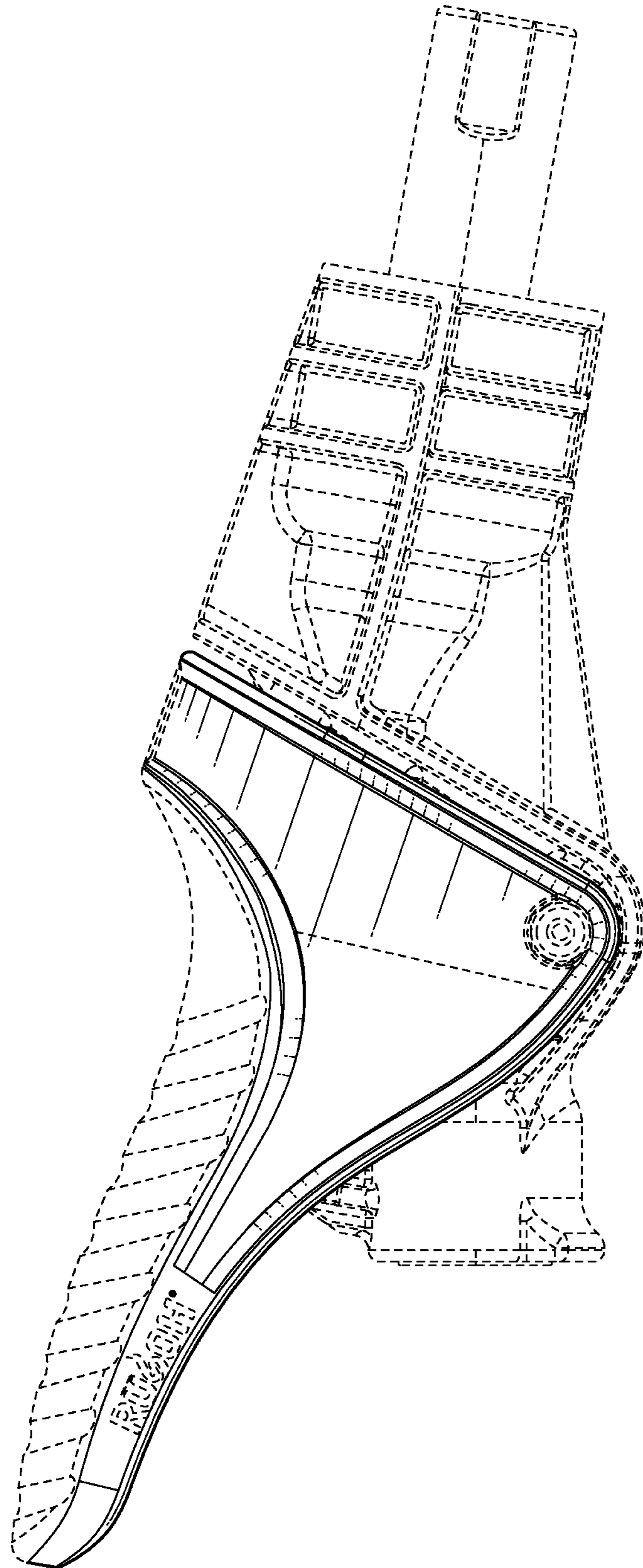


FIG. 2

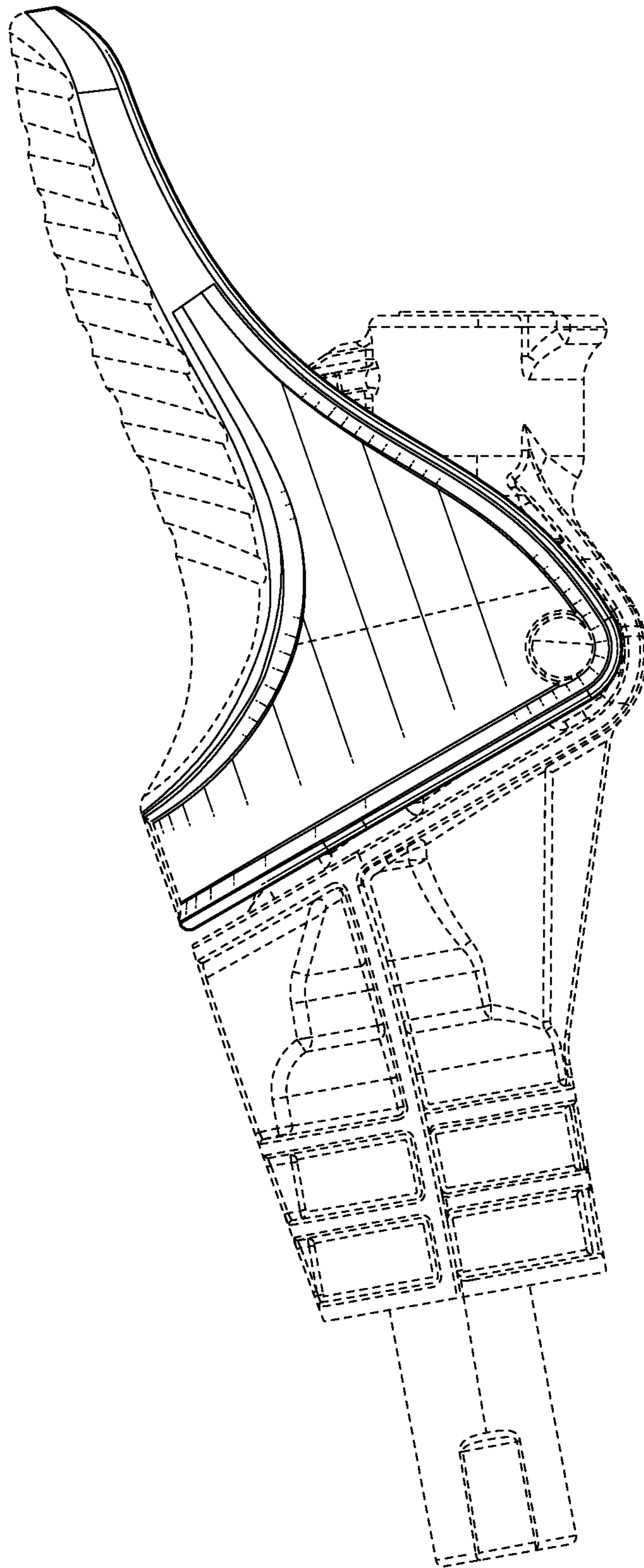


FIG. 3

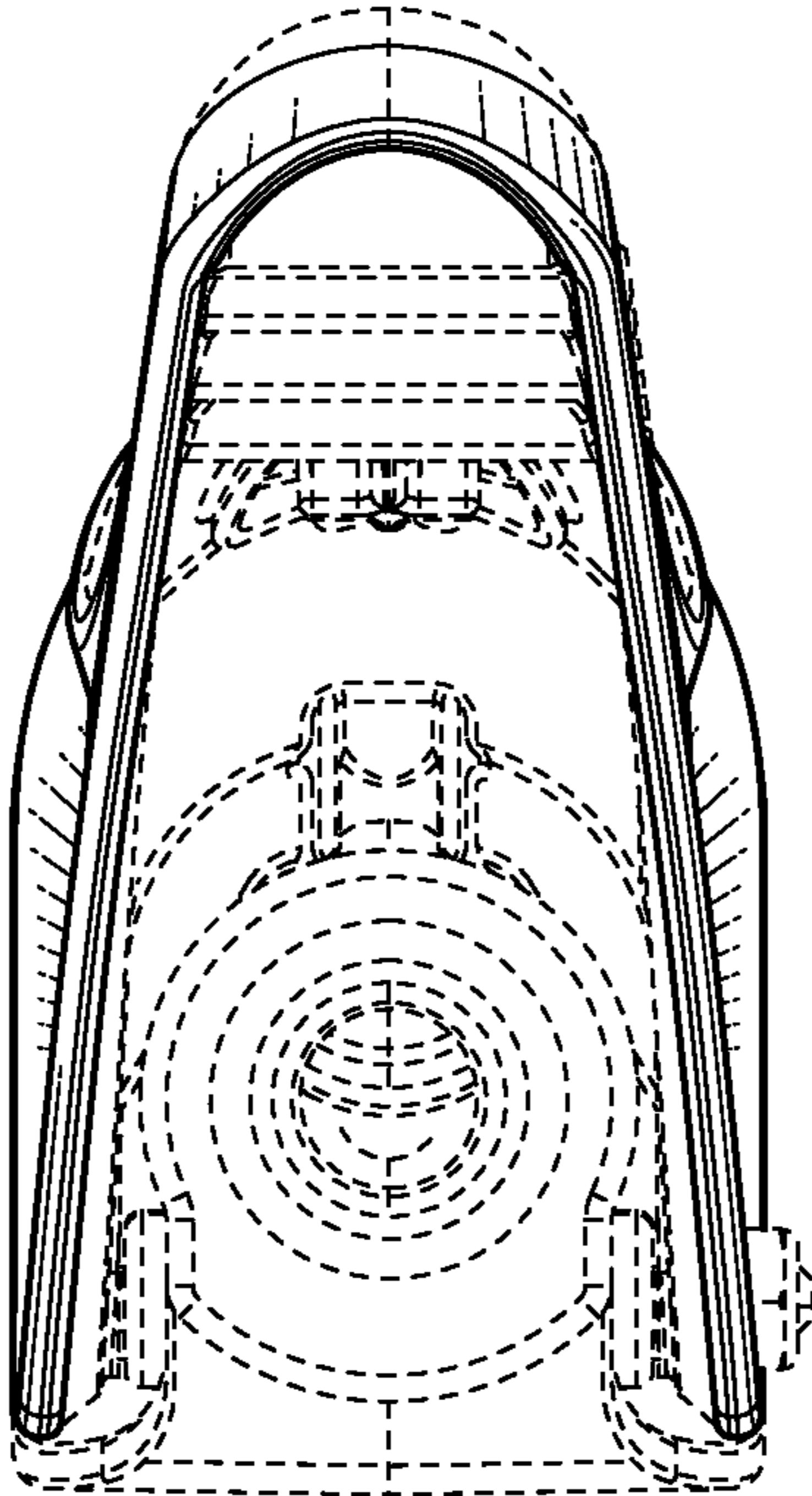


FIG. 4

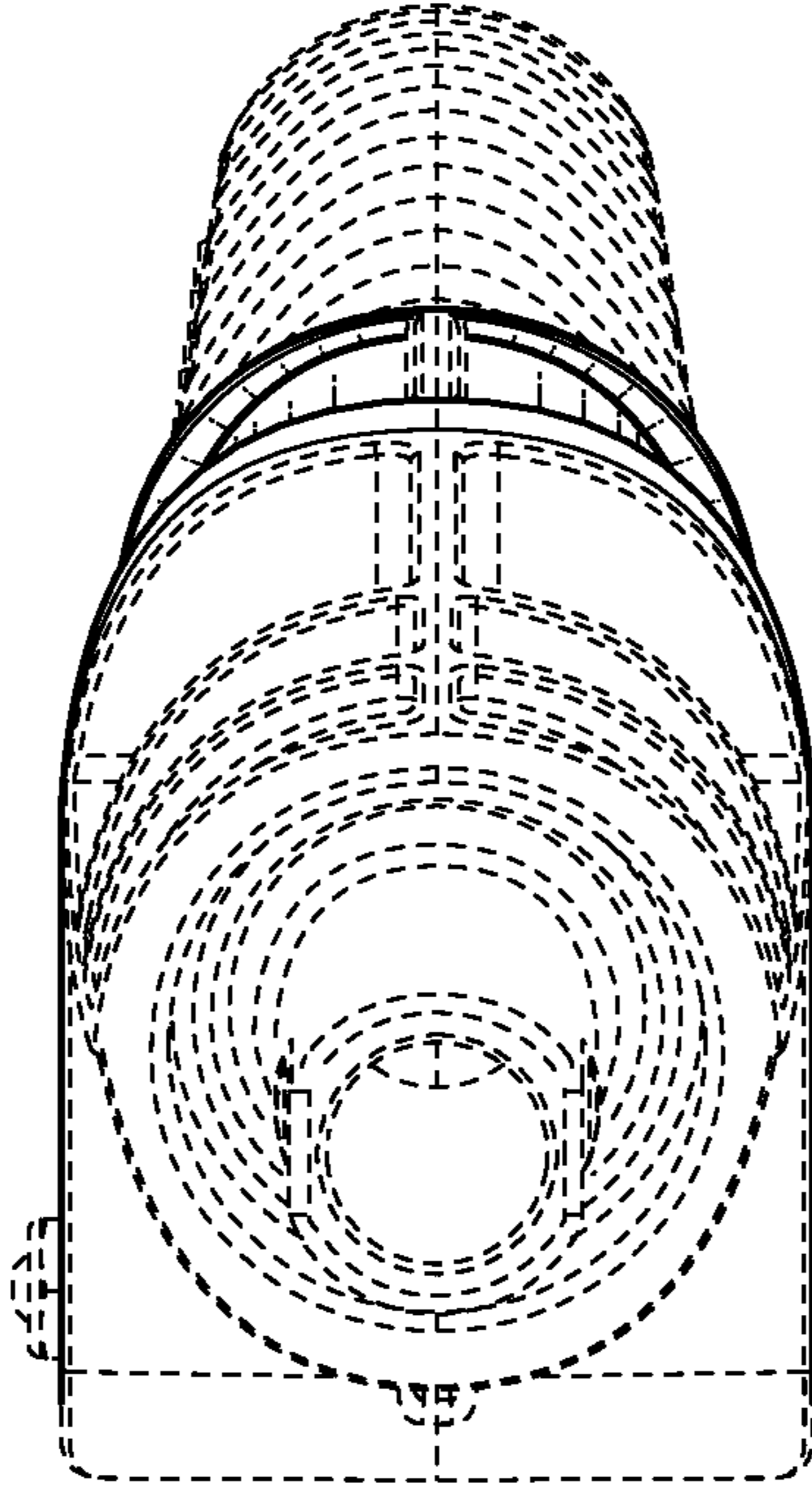


FIG. 5

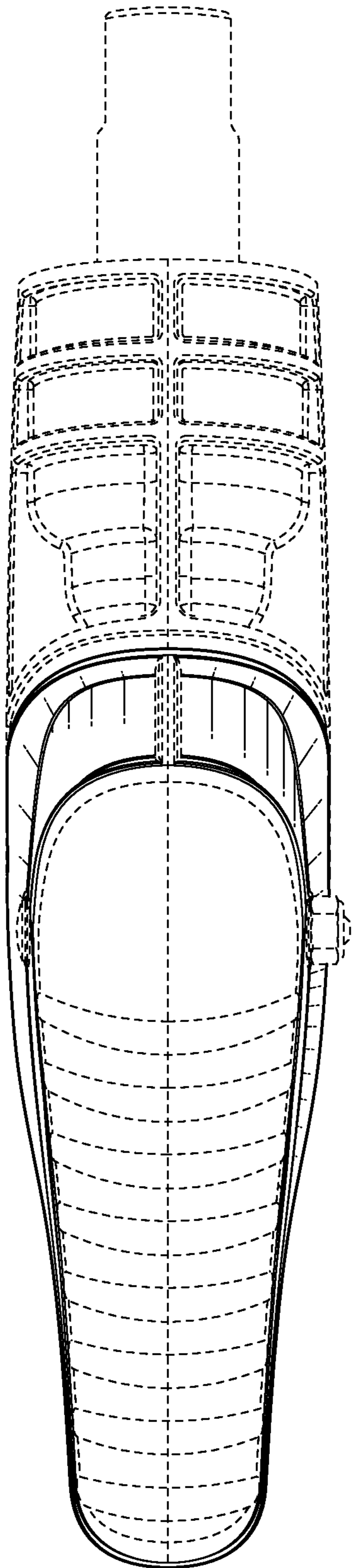


FIG. 6

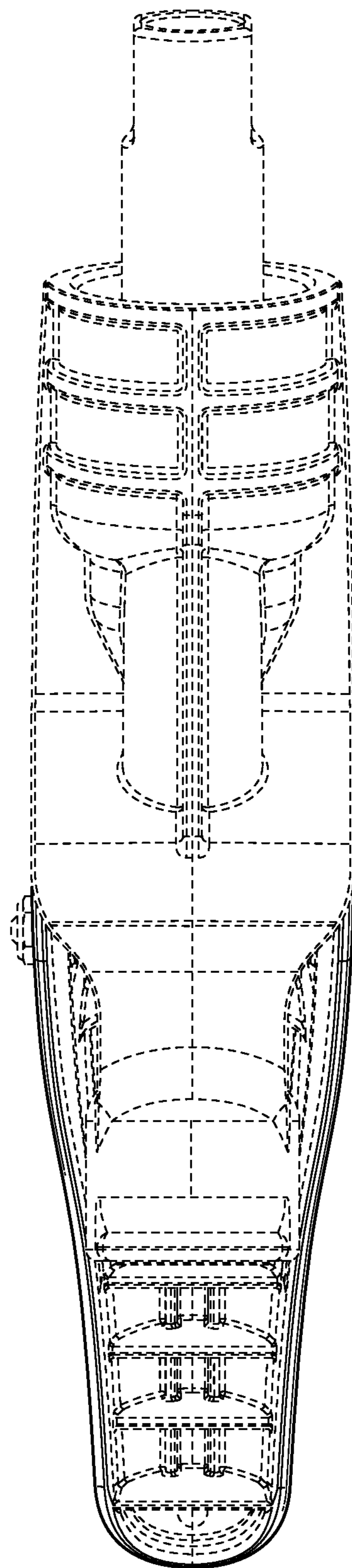


FIG. 7