



US00D989404S

(12) **United States Design Patent**
Zimmer

(10) **Patent No.:** **US D989,404 S**
(45) **Date of Patent:** **** Jun. 13, 2023**

(54) **PLATFORM ADAPTER**

(71) Applicant: **Trent Zimmer**, Broussard, LA (US)

(72) Inventor: **Trent Zimmer**, Broussard, LA (US)

(**) Term: **15 Years**

(21) Appl. No.: **29/850,800**

(22) Filed: **Aug. 23, 2022**

Related U.S. Application Data

(62) Division of application No. 29/728,245, filed on Mar. 17, 2020, now Pat. No. Des. 967,549.

(51) **LOC (14) Cl.** **02-99**

(52) **U.S. Cl.**

USPC **D29/122**

(58) **Field of Classification Search**

USPC D29/122

CPC H04R 1/105; H04R 1/1066; A42B 3/16;
A42B 3/30; A42B 3/303; A42B 1/24

See application file for complete search history.

(56) **References Cited**

U.S. PATENT DOCUMENTS

- D742,076 S * 10/2015 Kostal D29/122
- 9,716,938 B1 * 7/2017 Hoernschemeyer A42B 3/04
- 9,838,776 B2 * 12/2017 Broadley H04R 1/1066
- 10,149,038 B2 * 12/2018 Kirkpatrick H04R 1/1066
- 10,393,312 B2 * 8/2019 Pombo F16M 11/2078
- 11,337,484 B2 * 5/2022 Barber A42B 1/24
- 11,445,284 B2 * 9/2022 Kim H04R 1/1041
- D967,549 S * 10/2022 Zimmer D29/122
- D967,551 S * 10/2022 Zimmer D29/122
- 11,601,742 B2 * 3/2023 Anderson A61F 11/12
- 2021/0228118 A1 * 7/2021 Friesen A61B 5/6885
- 2022/0345807 A1 * 10/2022 Hall A42B 3/166
- 2023/0085688 A1 * 3/2023 Thacker B65H 75/364

OTHER PUBLICATIONS

Unity Tactical AMP Headset Platform Adapter (on-line), dated Jan. 16, 2021. Retrieved from Internet Jul. 8, 2022, URL: <http://web.archive.org/web/20210116063319/https://www.hcctac.com/products/amp-headset-platform-adapter-exfil-m-lok> (2 pages) (Year: 2021).*

Unity Tactical Platform Adapter MTEK (on-line), dated Jul. 11, 2020. Retrieved from Internet Jul. 8, 2022, URL: <http://web.archive.org/web/20200711004532/https://www.airsoft-milsim-news.com/unity-tactical-platform-adapter/> (2 pages) (Year: 2020).*

* cited by examiner

Primary Examiner — Kimberly Barnes

(74) *Attorney, Agent, or Firm* — Asgaard Patent Services, LLC; F. Wayne Thompson, Jr.

(57) **CLAIM**

The ornamental design for a platform adapter, as shown and described.

DESCRIPTION

FIG. 1 is a top, front, right side isometric view of a platform adapter showing my new design;

FIG. 2 is a bottom, rear, left side isometric view of the platform adapter shown in FIG. 1;

FIG. 3 is a front view of the platform adapter shown in FIG. 1;

FIG. 4 is a right side view of the platform adapter shown in FIG. 1;

FIG. 5 is a rear view of the platform adapter shown in FIG. 1;

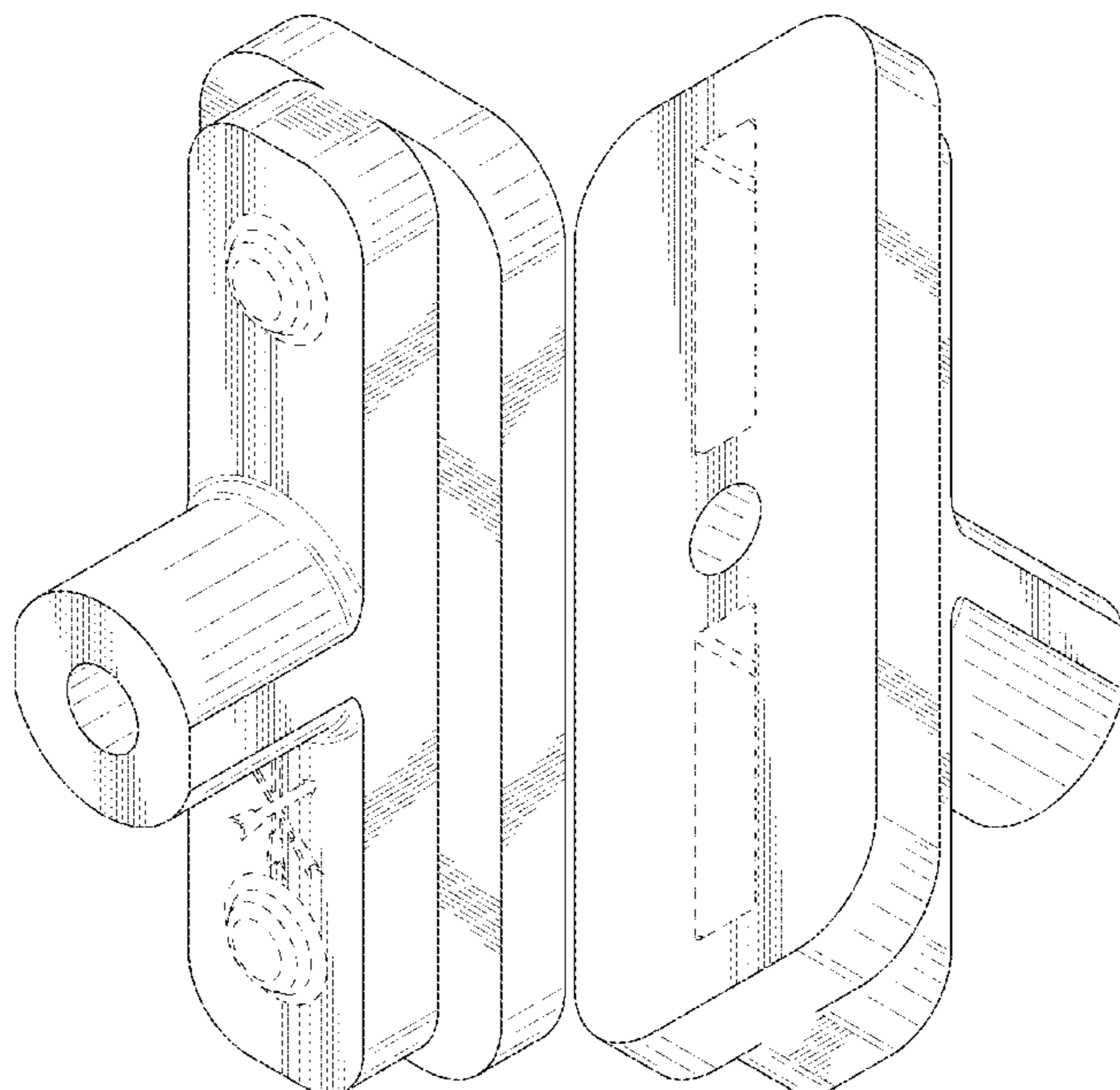
FIG. 6 is a left side view of the platform adapter shown in FIG. 1;

FIG. 7 is a top view of the platform adapter shown in FIG. 1; and,

FIG. 8 is a bottom view of the platform adapter shown in FIG. 1.

The broken lines represent portions of the platform adapter that form no part of the claimed design.

1 Claim, 5 Drawing Sheets



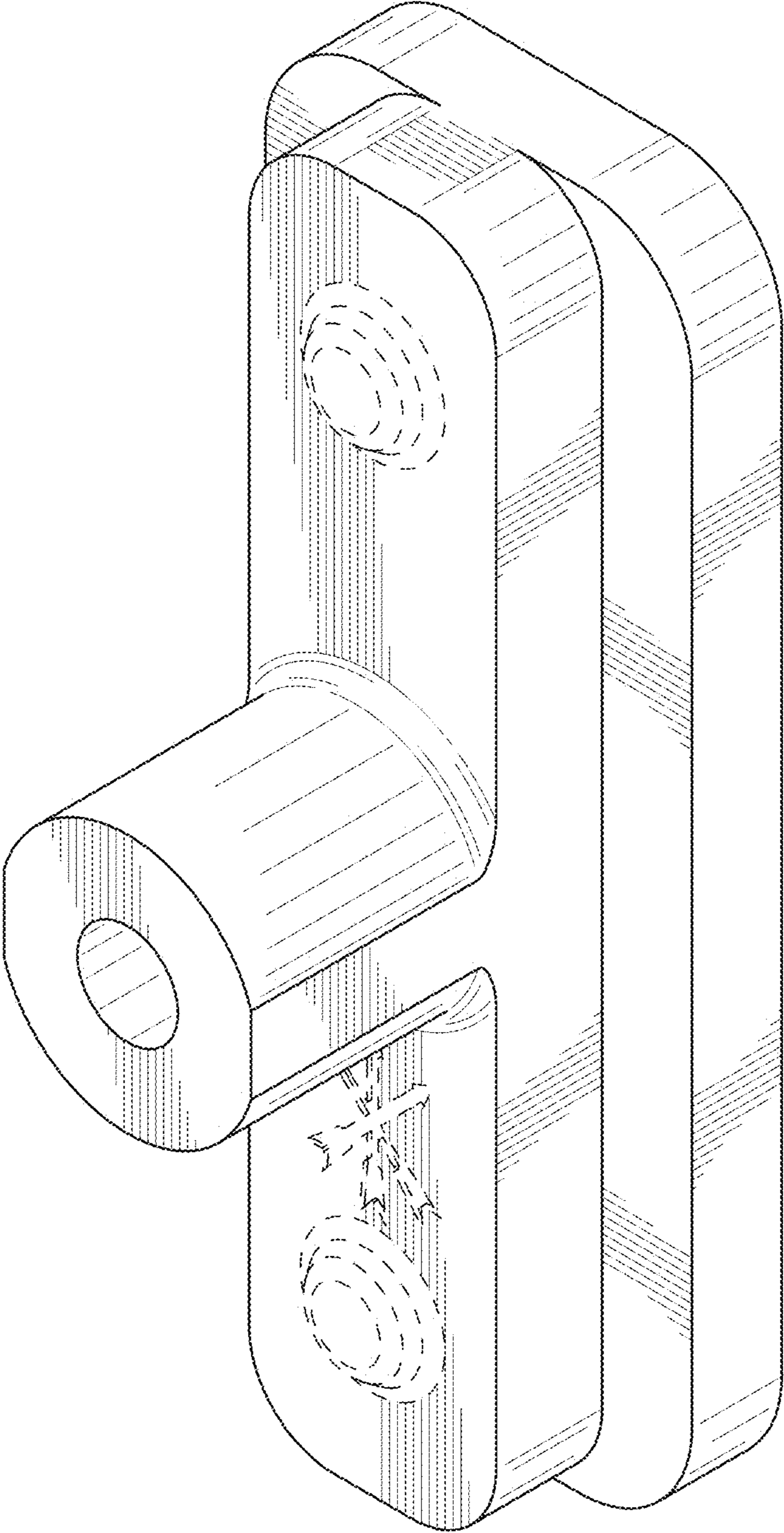


FIG. 1

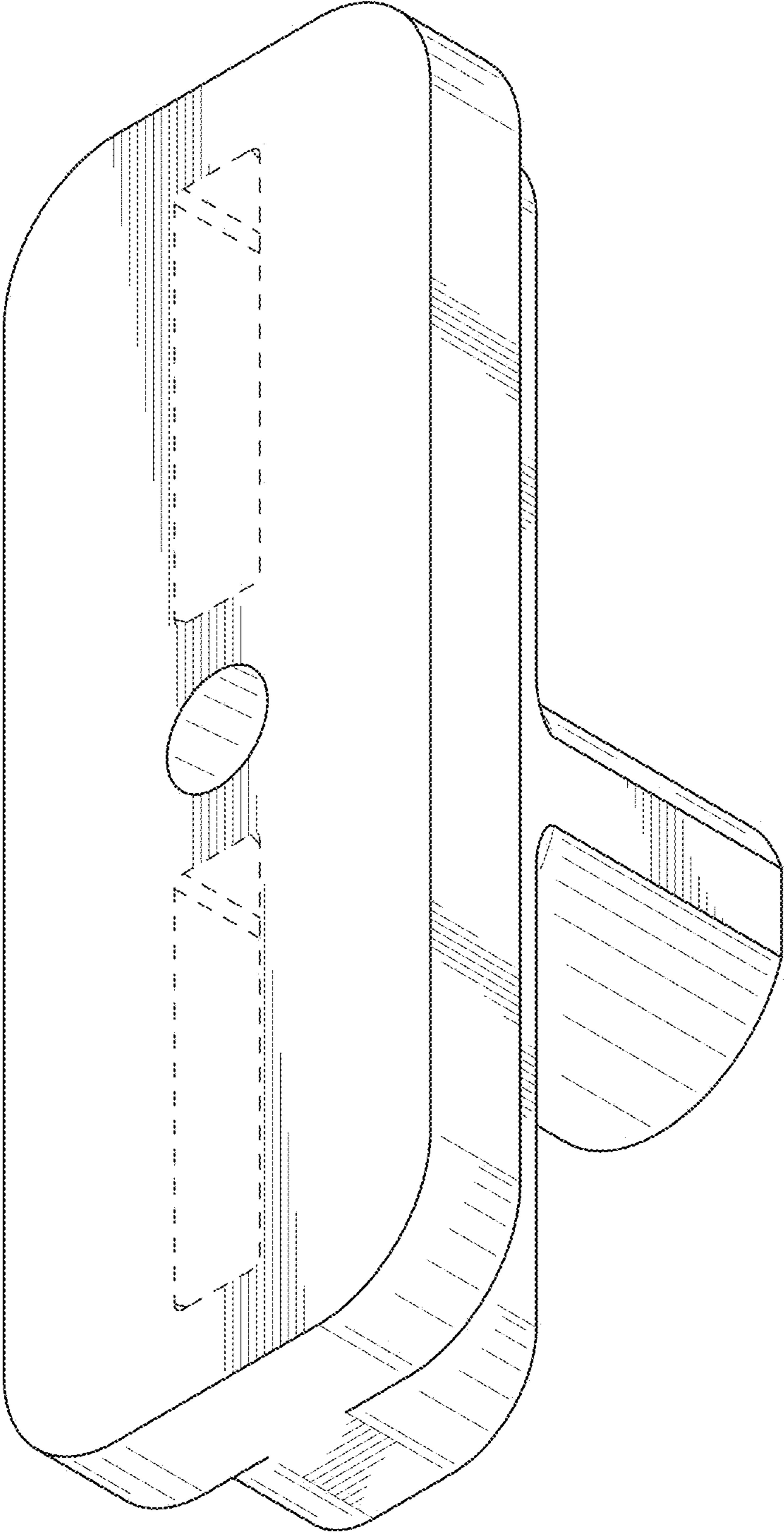


FIG. 2

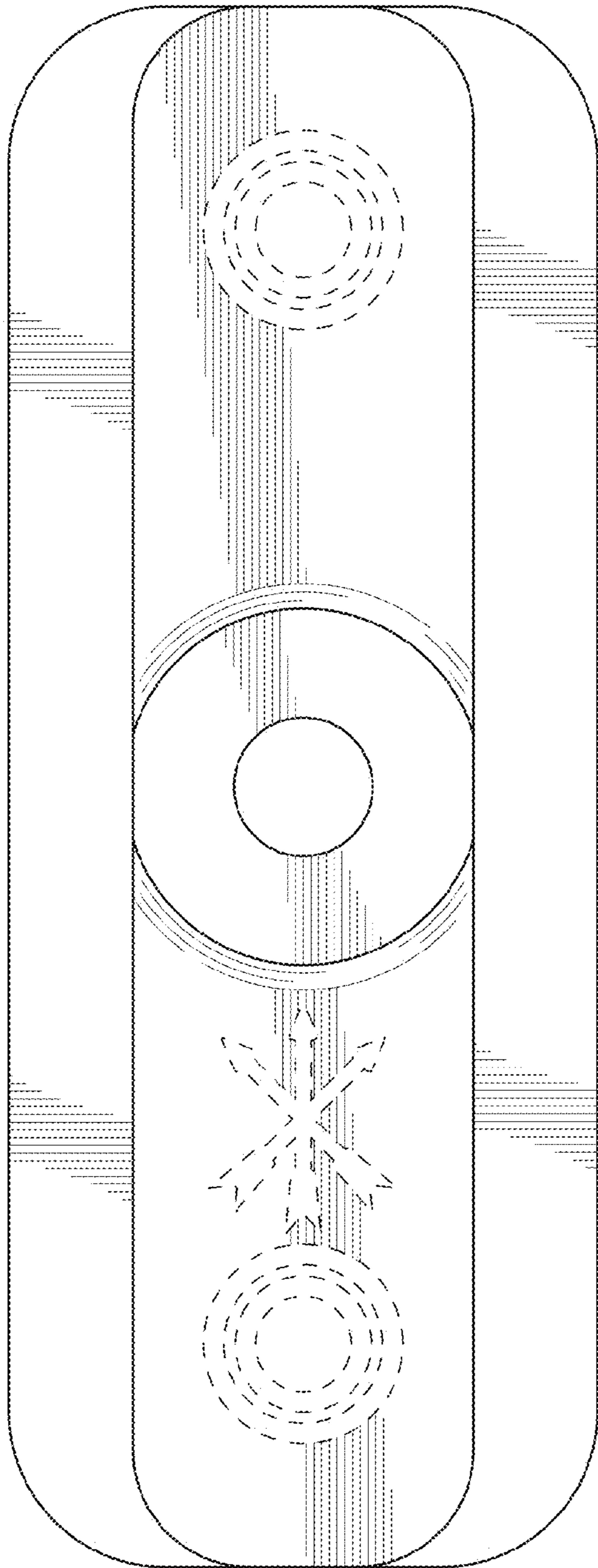


FIG. 3

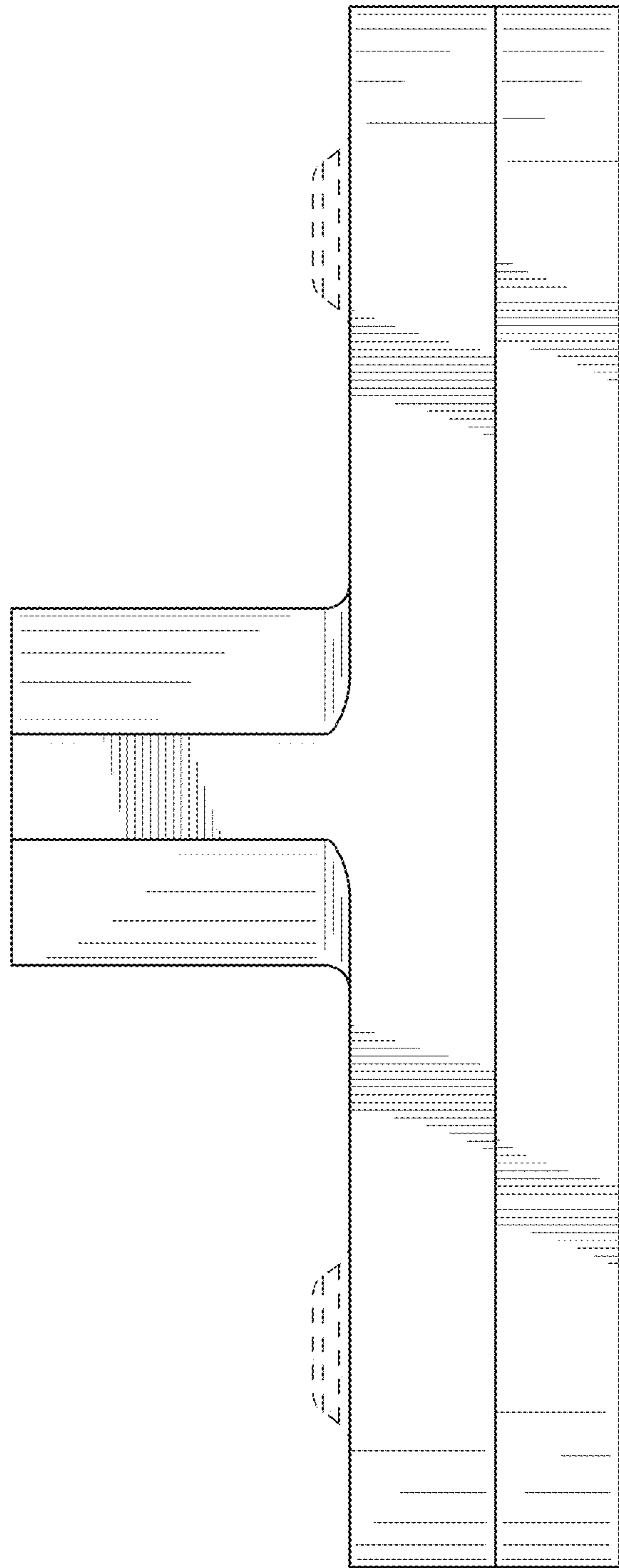


FIG. 4

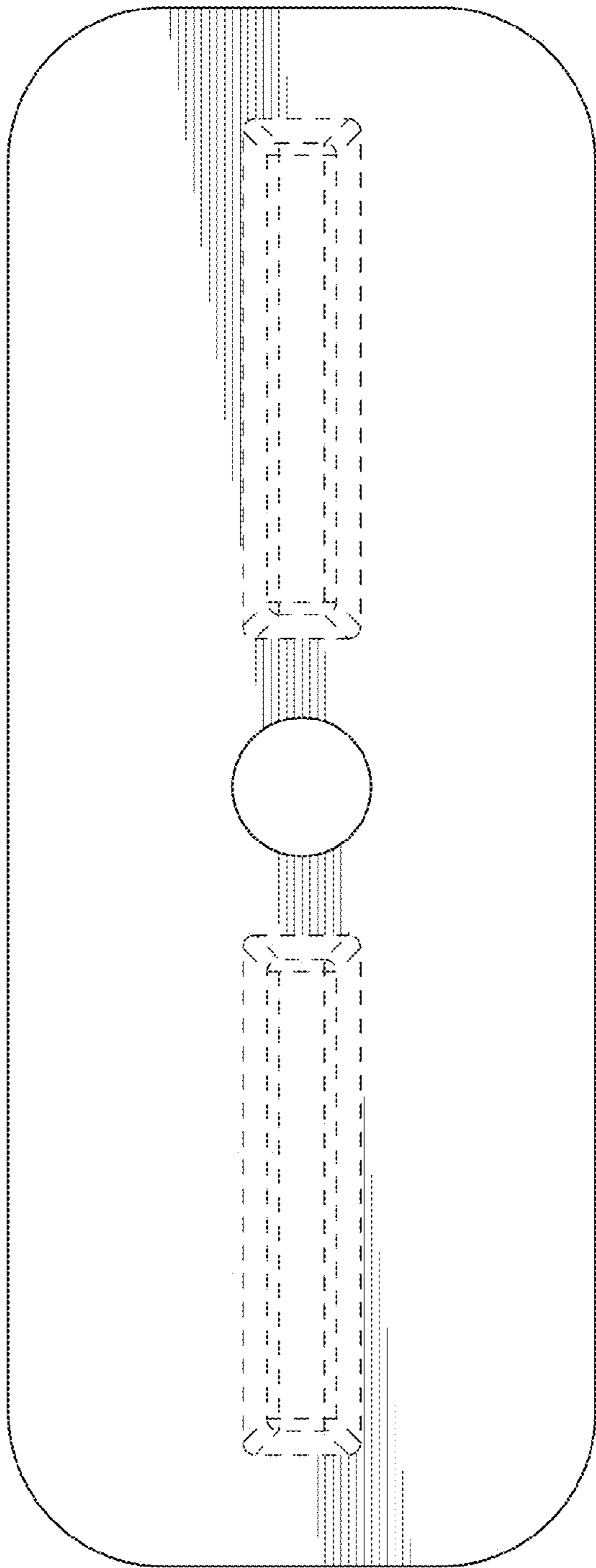


FIG. 5

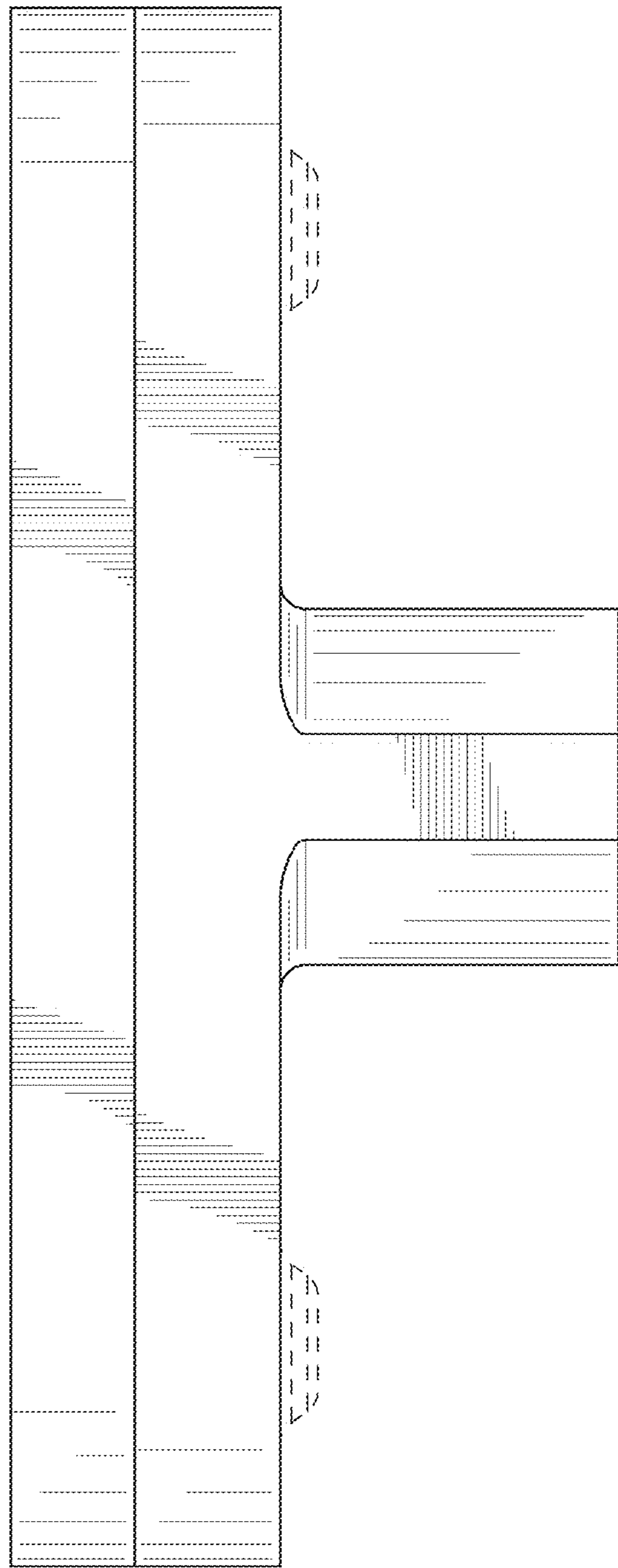


FIG. 6

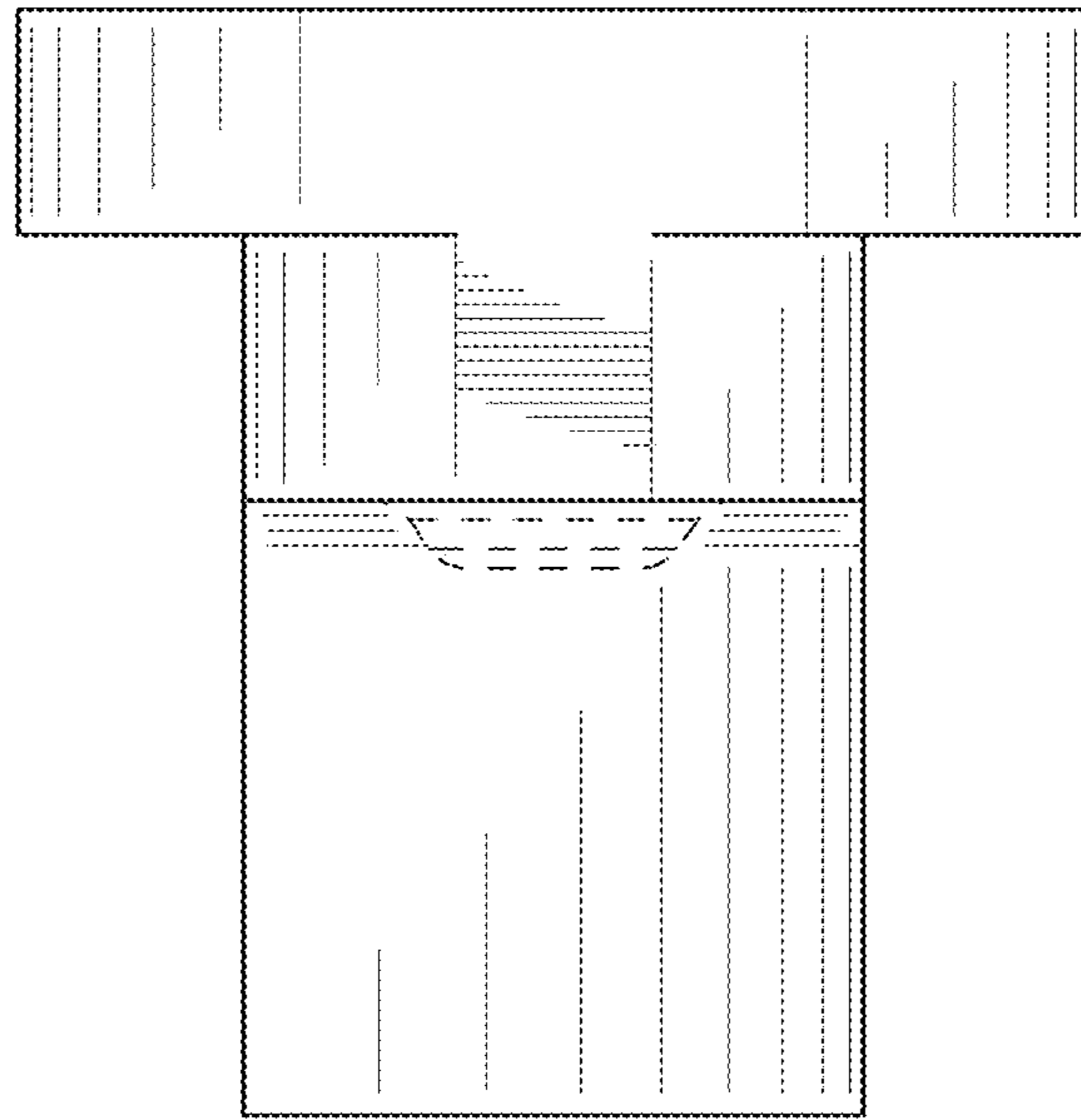


FIG. 7

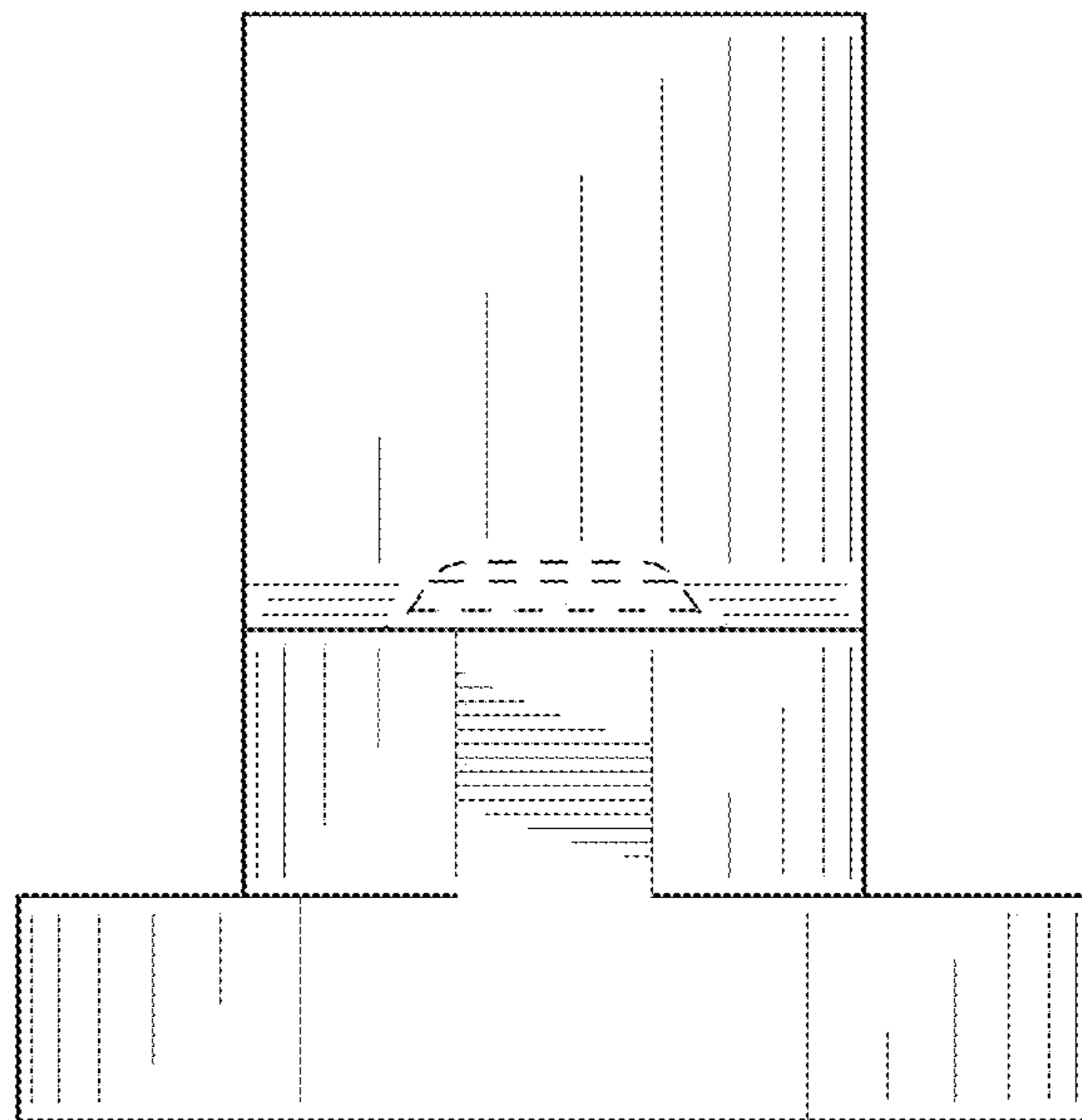


FIG. 8