



US00D989396S

(12) **United States Design Patent** (10) **Patent No.:** **US D989,396 S**  
**Luo** (45) **Date of Patent:** **\*\* Jun. 13, 2023**

(54) **EYELASH CURLER**

FOREIGN PATENT DOCUMENTS

(71) Applicant: **Dewei Luo**, Shenzhen (CN)

CN 305005418 \* 1/2019

(72) Inventor: **Dewei Luo**, Shenzhen (CN)

OTHER PUBLICATIONS

(\*\*) Term: **15 Years**

(21) Appl. No.: **29/762,760**

AnLan Portable Mini . . . [online]; [video published to the internet on Sep. 22, 2021]; [retrieved from the internet on Jan. 26, 2023]; URL:https://www.youtube.com/watch?v=f6uzz\_cSJ2g (2 pages). (Year: 2021).\*

(22) Filed: **Dec. 18, 2020**

AnLan Hot Eyelash Curler . . . [online]; [review published to the internet on Oct. 19, 2021]; [retrieved from the internet on Jan. 26, 2023]; URL:https://www.amazon.co.jp/-/en/Time-saving-Preheating-Anti-scald-Lightweight-Instruction/dp/B09X1M93Z6?th=1 (8 pages). (Year: 2021).\*

(30) **Foreign Application Priority Data**

Jul. 1, 2020 (CN) ..... 202030348088.2

(51) **LOC (14) Cl.** ..... **28-03**

(52) **U.S. Cl.**  
USPC ..... **D28/36**

(58) **Field of Classification Search**  
USPC ..... D28/11, 12, 13, 15, 16, 17, 18, 19, 24,  
D28/25, 35, 36, 49, 53, 58; D27/162  
CPC ..... A45D 2/48; A41G 5/02  
See application file for complete search history.

\* cited by examiner

*Primary Examiner* — Jasmine Mlinarcik

*Assistant Examiner* — Victoria A. Rielly

(56) **References Cited**

(57) **CLAIM**

The ornamental design for an eyelash curler, as shown and described.

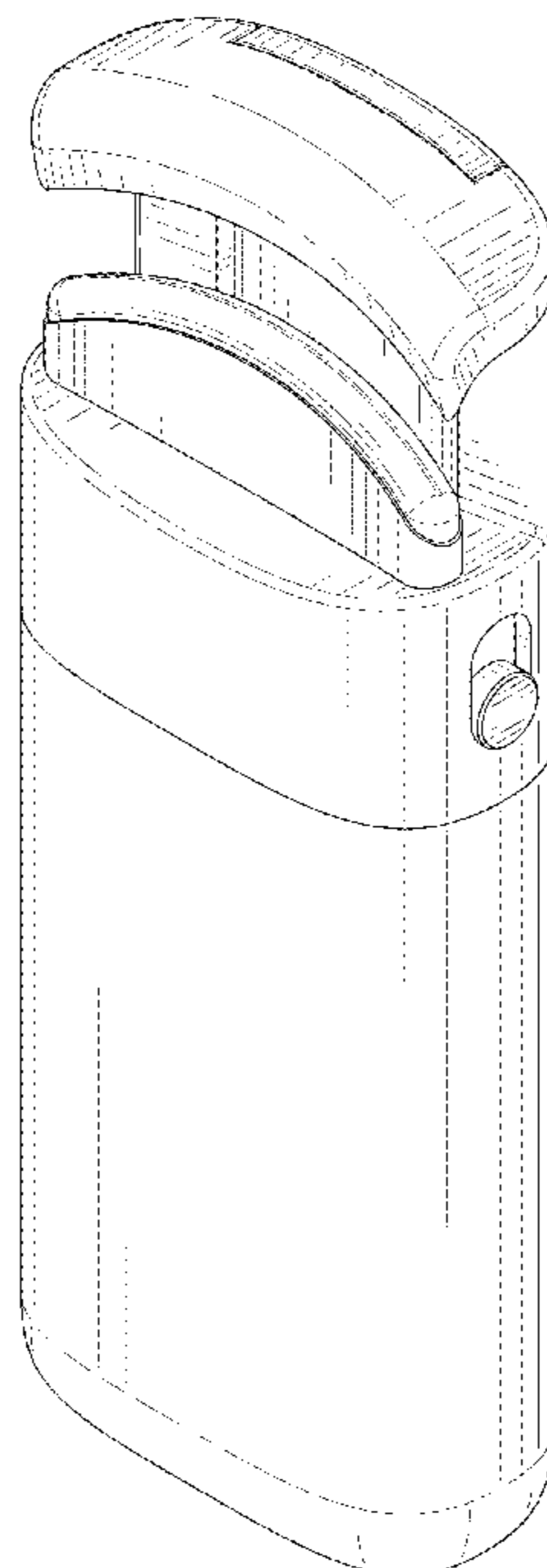
U.S. PATENT DOCUMENTS

DESCRIPTION

- 1,925,266 A \* 9/1933 Manning ..... A45D 2/48  
132/217
- D443,110 S \* 5/2001 Watanabe ..... D28/36
- D524,480 S \* 7/2006 Takeshita ..... D28/36
- D524,484 S \* 7/2006 Winkler ..... D28/49
- D580,098 S \* 11/2008 Zhang ..... D28/36
- D607,147 S \* 12/2009 Sugawara ..... D28/36
- D889,736 S \* 7/2020 Han ..... D27/162
- D911,600 S \* 2/2021 Chen ..... D27/162
- D965,878 S \* 10/2022 Dey ..... D28/36
- D965,879 S \* 10/2022 Dey ..... D28/36
- 2016/0183655 A1 \* 6/2016 Dozer ..... A45D 40/262  
132/217

FIG. 1 is a perspective view of an eyelash curler showing my new design;  
FIG. 2 is another perspective view thereof;  
FIG. 3 is a front elevational view thereof;  
FIG. 4 is a rear elevational view thereof;  
FIG. 5 is a left side elevational view thereof;  
FIG. 6 is a right side elevational view thereof;  
FIG. 7 is a top plan view thereof; and,  
FIG. 8 is a bottom plan view thereof.

**1 Claim, 8 Drawing Sheets**



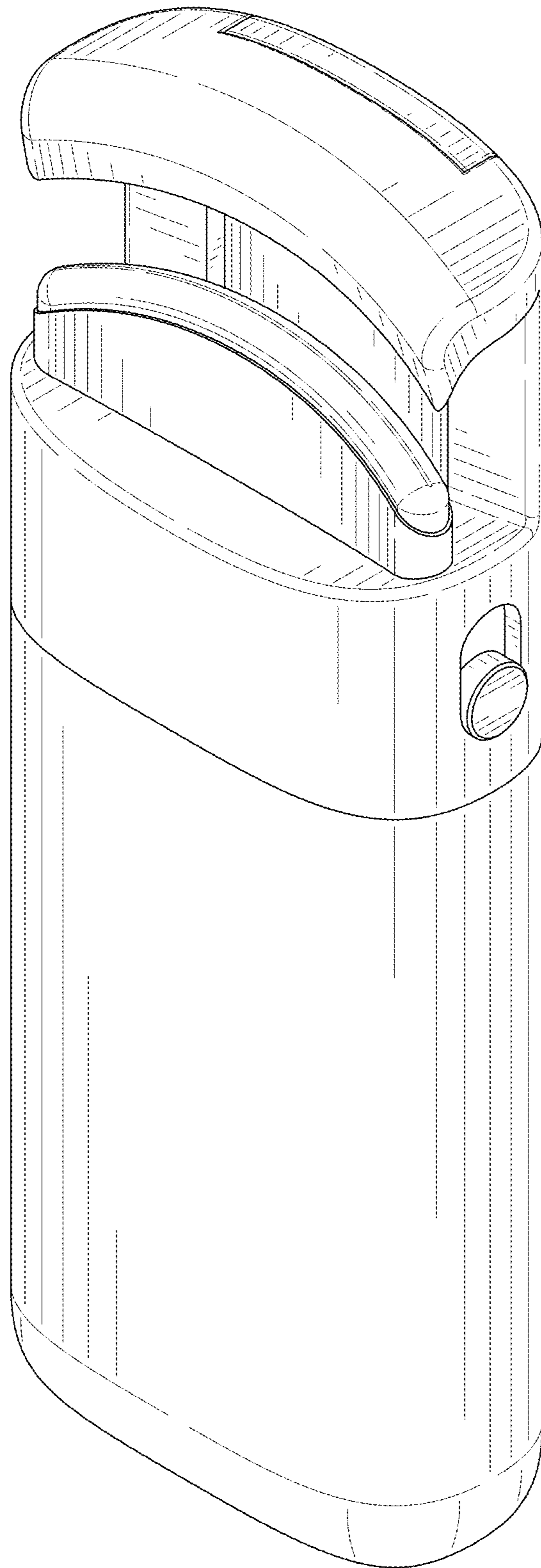


FIG. 1

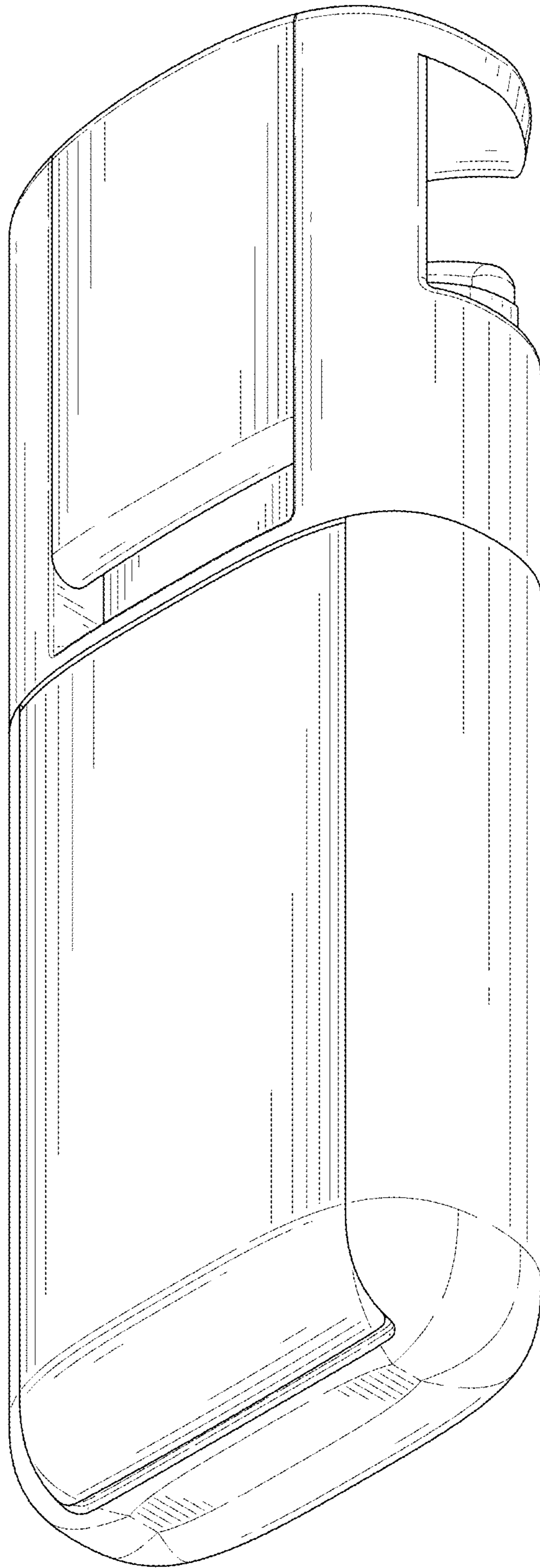


FIG. 2

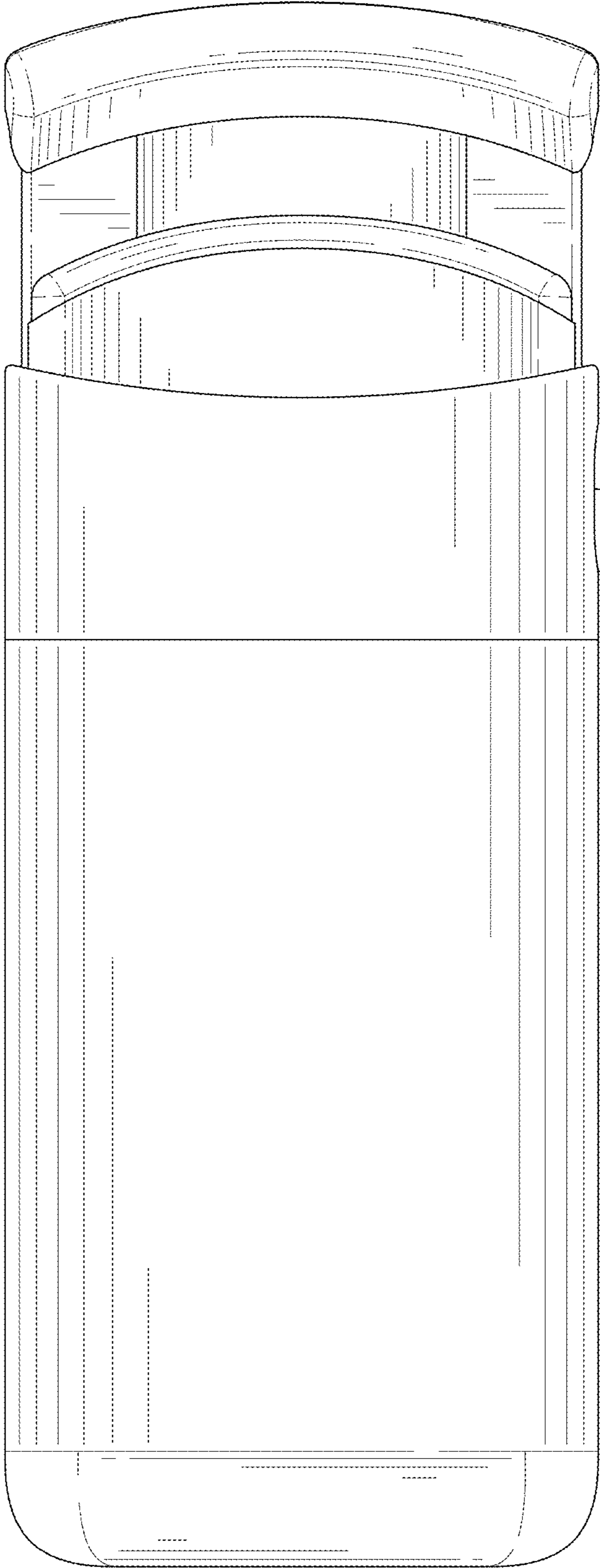


FIG. 3

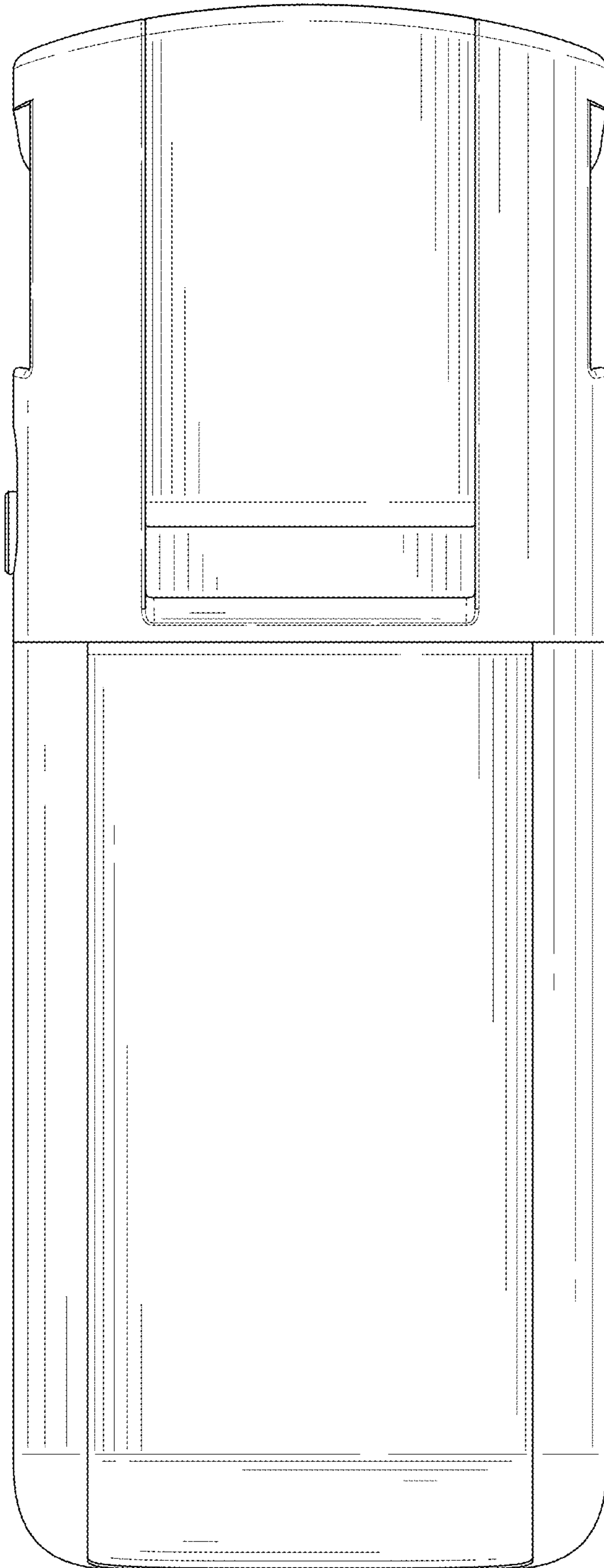


FIG. 4

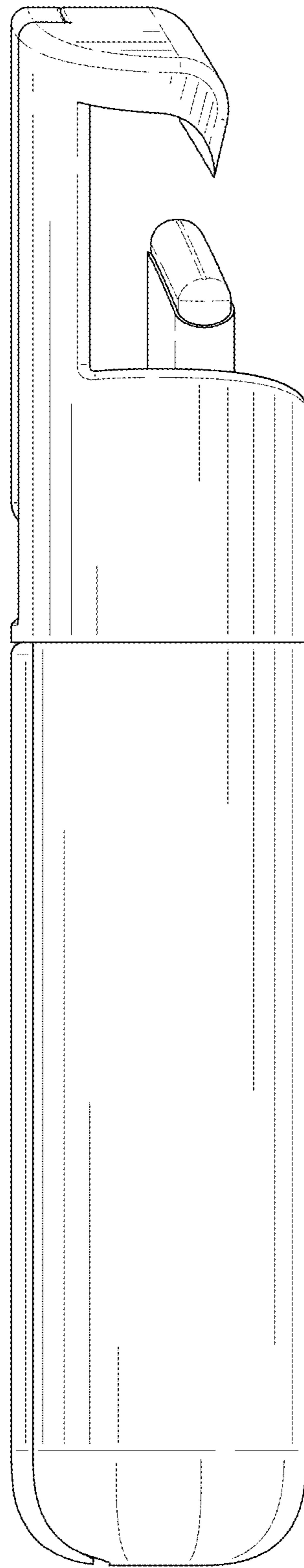


FIG. 5

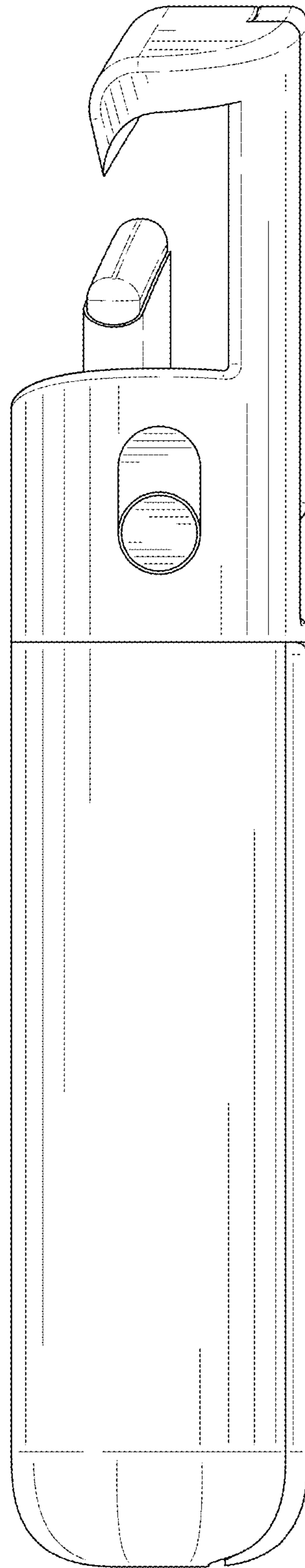


FIG. 6

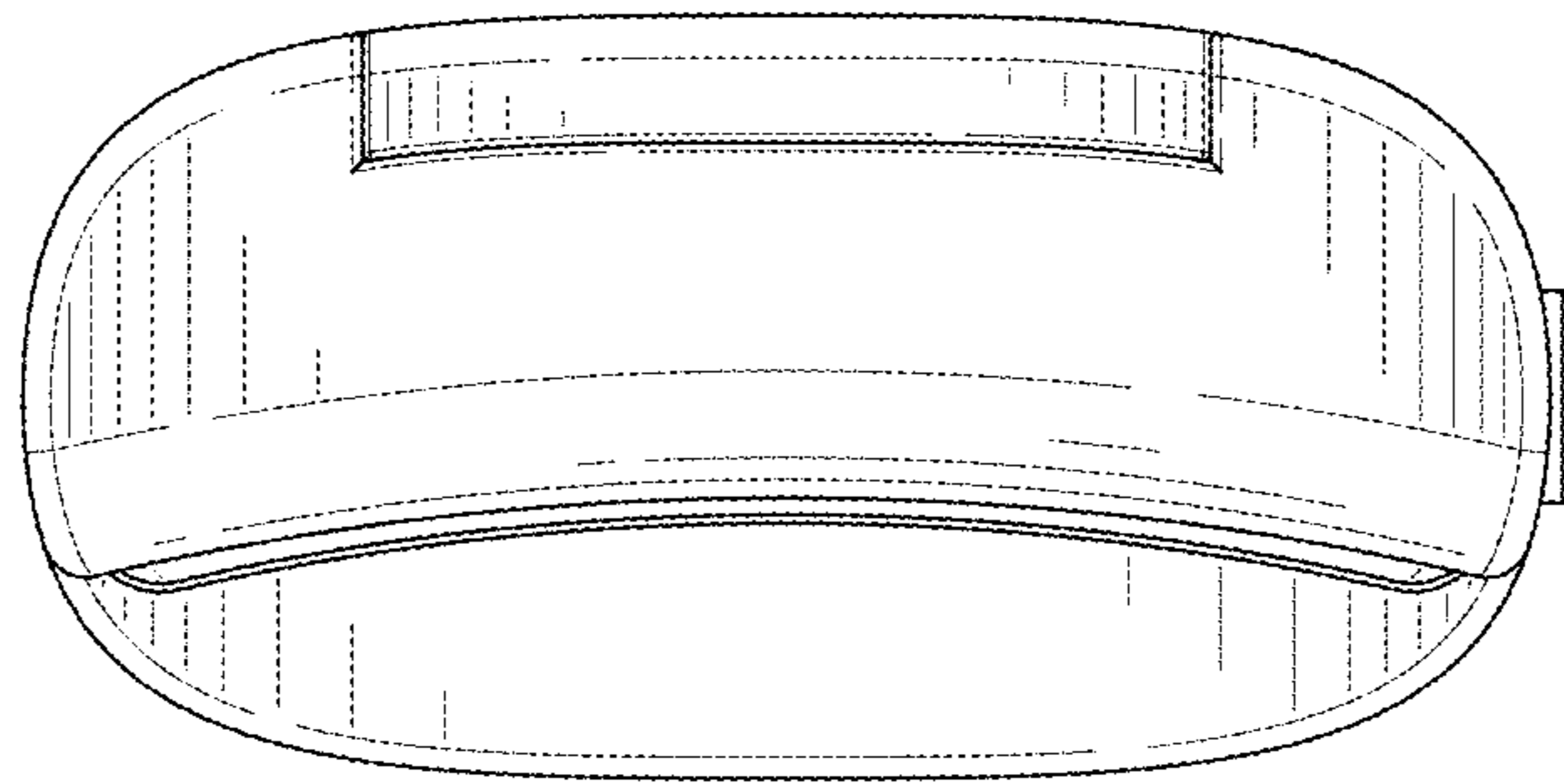


FIG. 7



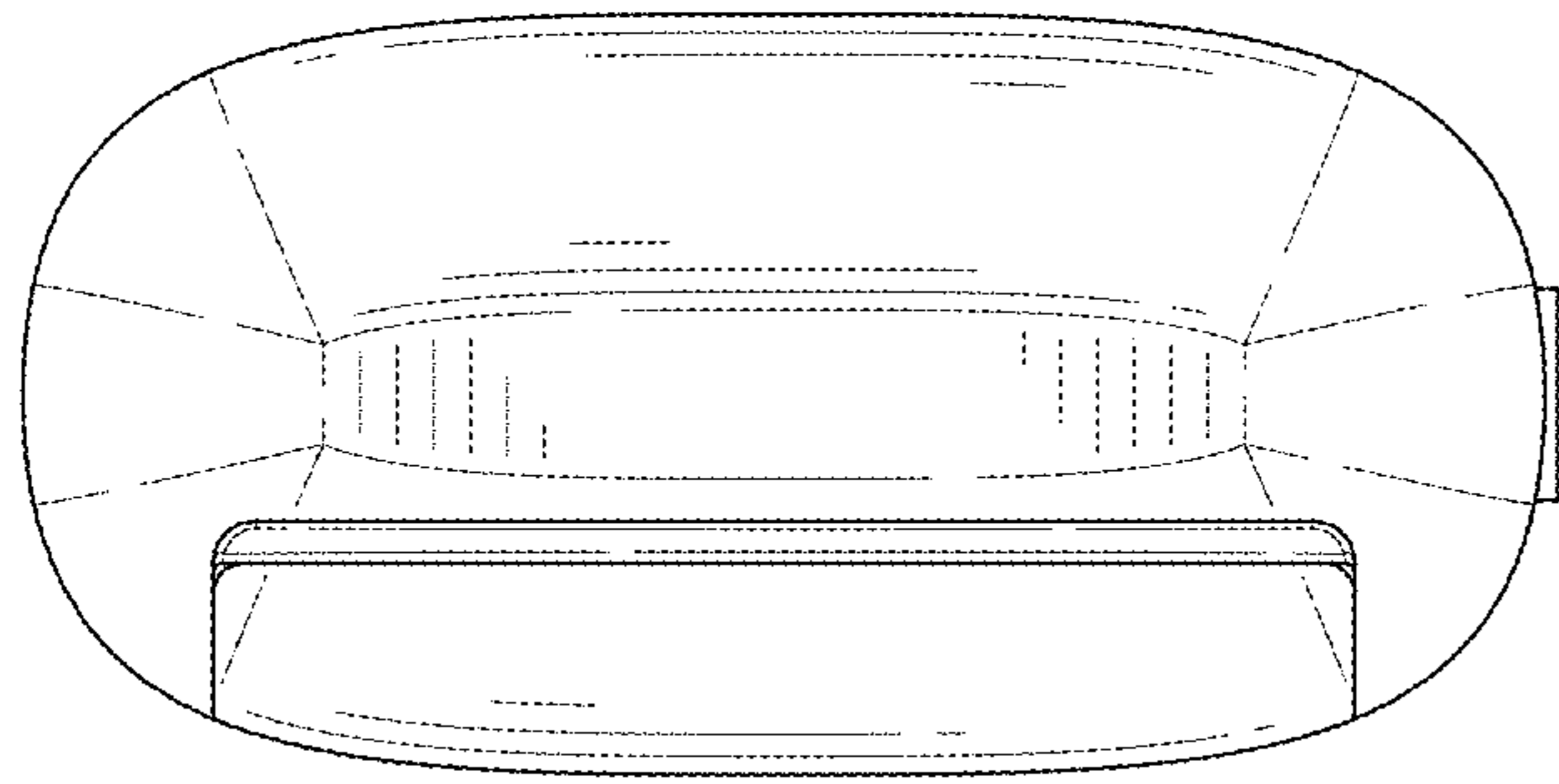


FIG. 8