



US00D989394S

(12) **United States Design Patent**  
**Zastawny et al.**

(10) **Patent No.:** **US D989,394 S**  
(45) **Date of Patent:** **\*\* Jun. 13, 2023**

(54) **CURLING IRON**  
(71) Applicant: **Helen of Troy Limited**, St. Michael (BB)  
(72) Inventors: **Mathieu Zastawny**, Jersey City, NJ (US); **Yoon Jung Heo**, Fort Lee, NJ (US); **Drew Applegate**, Brooklyn, NY (US); **Maya Kremien**, Austin, TX (US); **Gary Koenemann**, El Paso, TX (US)

6,920,886 B2 \* 7/2005 McCambridge ..... A45D 2/001  
132/232  
D785,243 S \* 4/2017 Zhang ..... D28/35  
D847,427 S \* 4/2019 Shen ..... D28/35  
D912,320 S \* 3/2021 Liang ..... D28/35  
D912,987 S \* 3/2021 Chandra ..... D4/134  
D914,286 S \* 3/2021 Swackhamer ..... D28/35  
D942,681 S \* 2/2022 Chandra ..... D28/35  
D968,699 S \* 11/2022 Chandra ..... D28/35  
D969,406 S \* 11/2022 Chandra ..... D28/35

\* cited by examiner

(73) Assignee: **Helen of Troy Limited**, St. Michael (BB)

*Primary Examiner* — Alison M Ofstun

(\*\*) Term: **15 Years**

(74) *Attorney, Agent, or Firm* — Rankin, Hill & Clark LLP

(21) Appl. No.: **29/803,931**

(57) **CLAIM**

(22) Filed: **Aug. 17, 2021**

The ornamental design for a curling iron, as shown and described.

(51) **LOC (14) Cl.** ..... **28-03**

(52) **U.S. Cl.**  
USPC ..... **D28/35**

(58) **Field of Classification Search**  
USPC .... D28/9, 10, 12–13, 35; D8/300, 303, 307, D8/310, 315, 321  
CPC ... A45D 1/00; A45D 1/02; A45D 1/04; A45D 1/06; A45D 1/08; A45D 1/10; A45D 2/00; A45D 2/001; A45D 2/04; A45D 2/06; A45D 4/00; A45D 4/02; A45D 4/04; A45D 4/06; A45D 4/08; A45D 2001/004  
See application file for complete search history.

**DESCRIPTION**

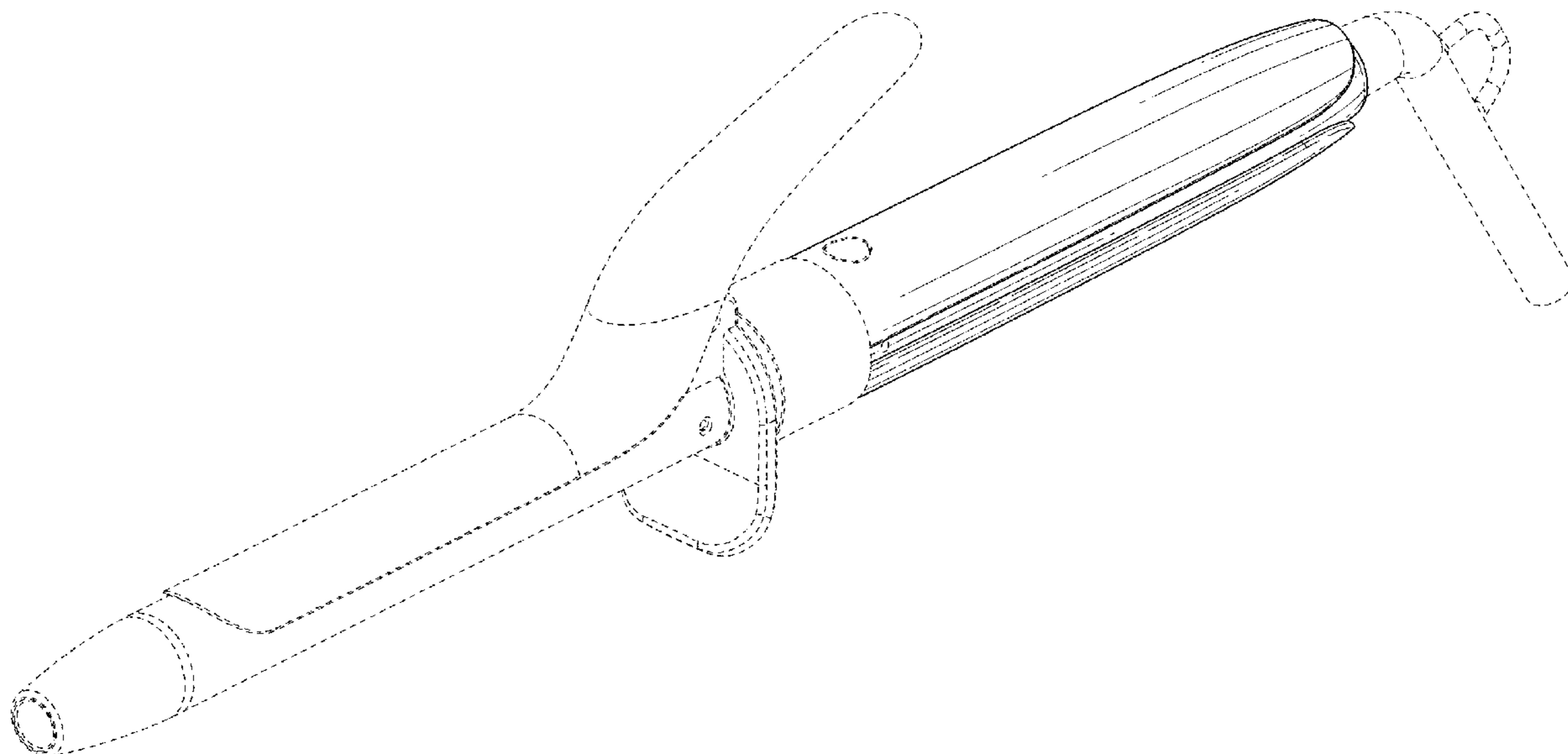
FIG. 1 is a perspective view of a curling iron showing our new design;  
FIG. 2 is a front elevation view of FIG. 1;  
FIG. 3 is a rear elevation view of FIG. 1;  
FIG. 4 is a left side elevation view of FIG. 1;  
FIG. 5 is a right side elevation view of FIG. 1;  
FIG. 6 is a top plan view of FIG. 1; and,  
FIG. 7 is a bottom plan view of FIG. 1.  
The broken lines in the drawings depict portions of the curling iron that form no part of the claimed design.

(56) **References Cited**

U.S. PATENT DOCUMENTS

4,561,455 A \* 12/1985 Pajak ..... A45D 1/04  
132/232  
D288,250 S \* 2/1987 Adams ..... D28/35

**1 Claim, 4 Drawing Sheets**



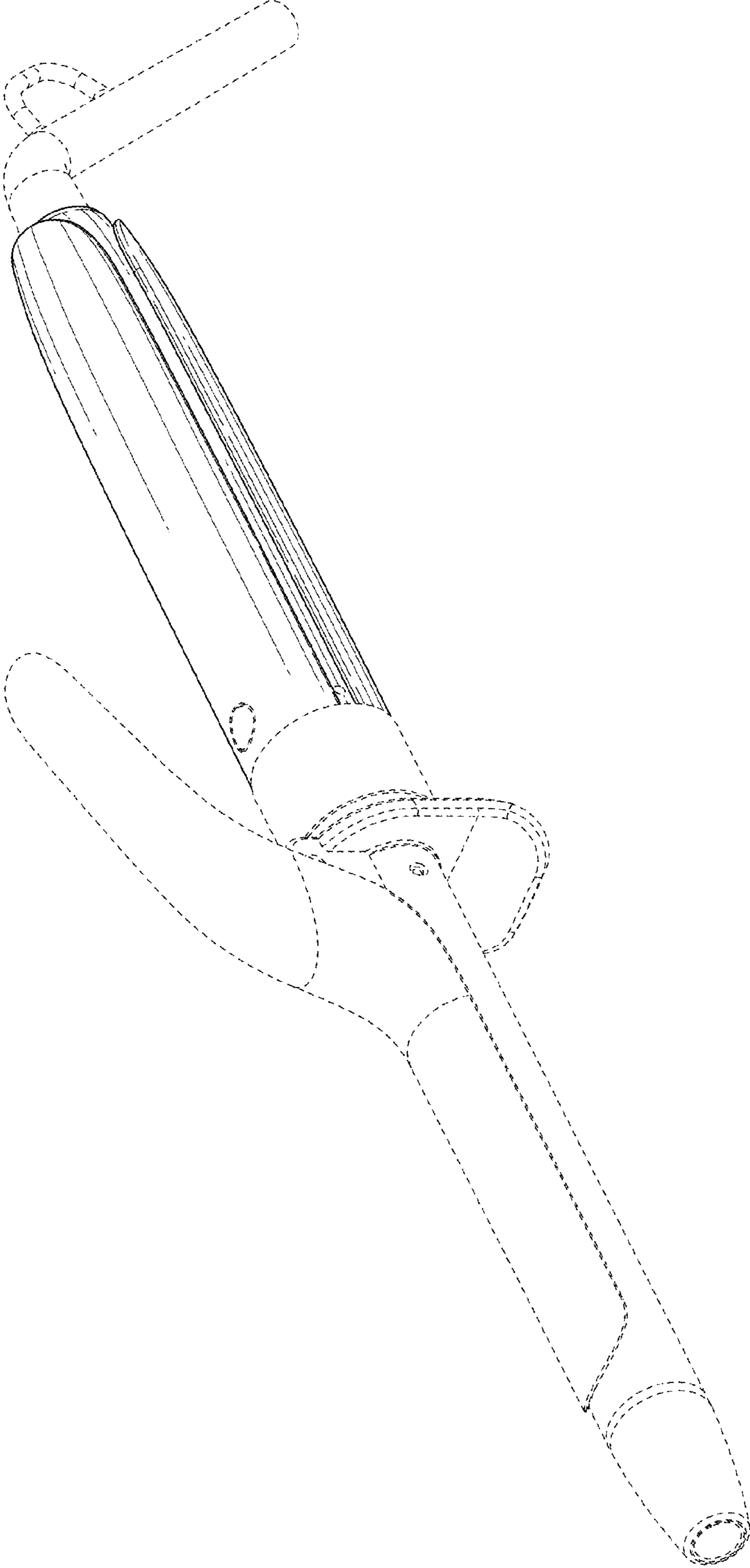
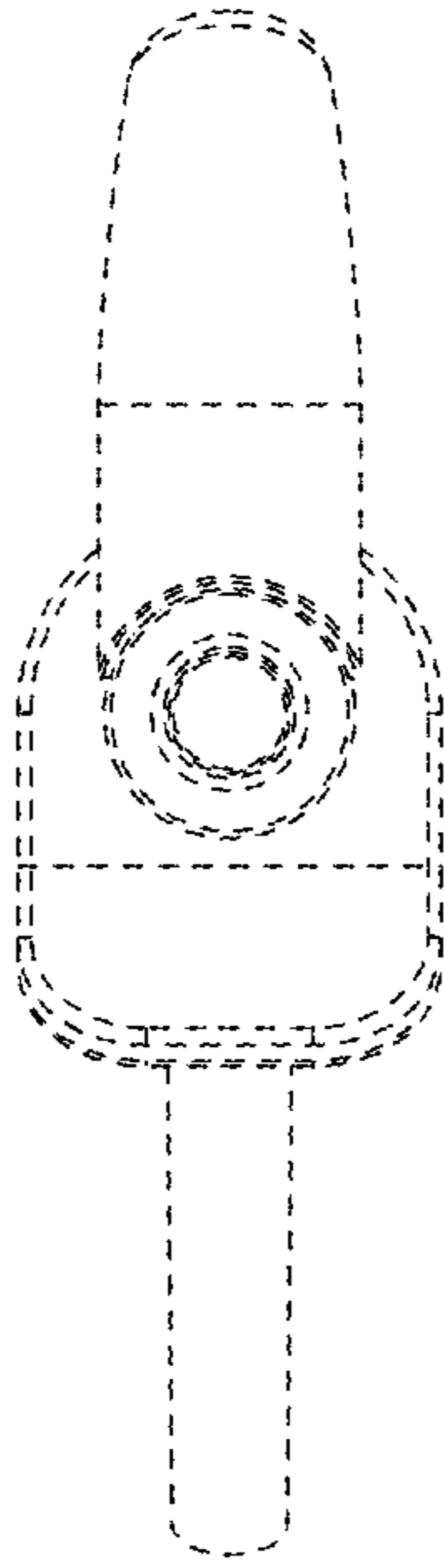
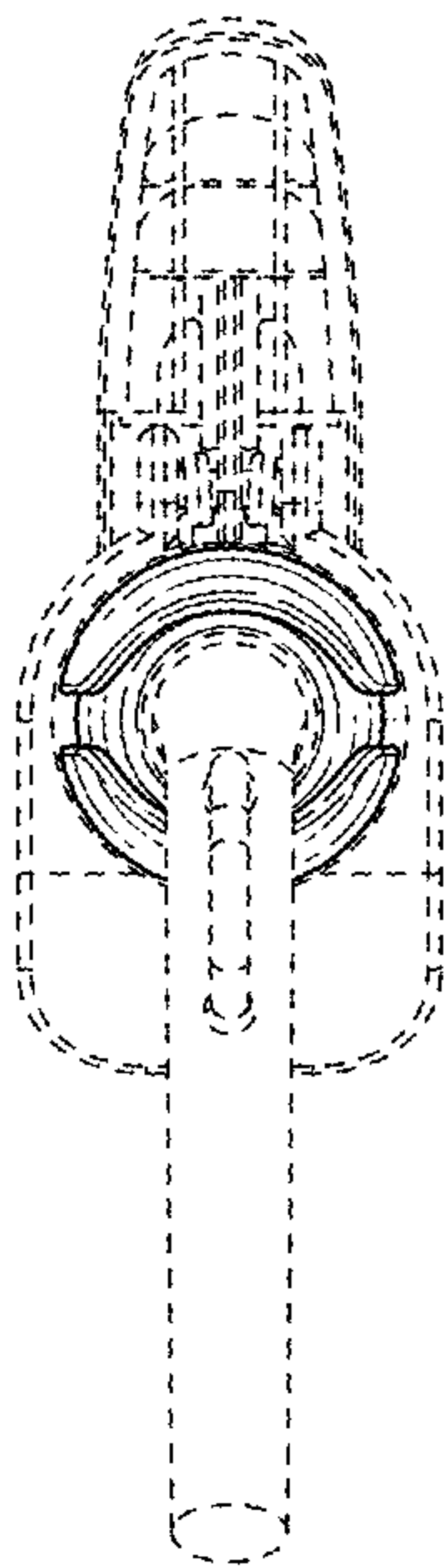


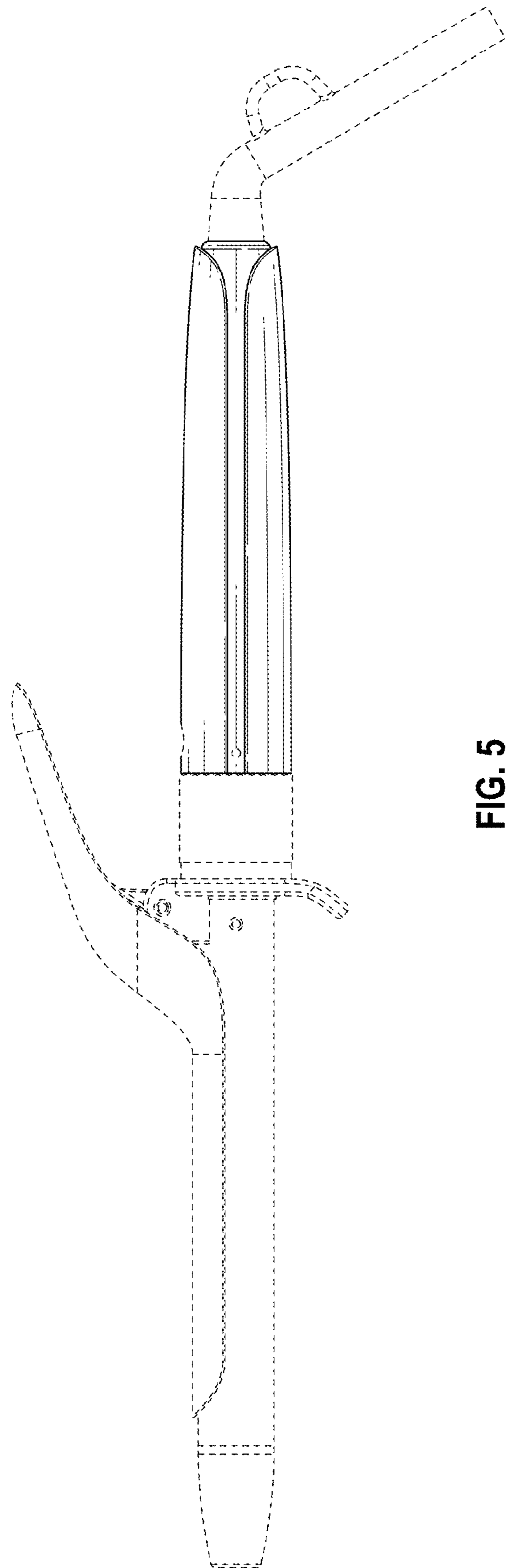
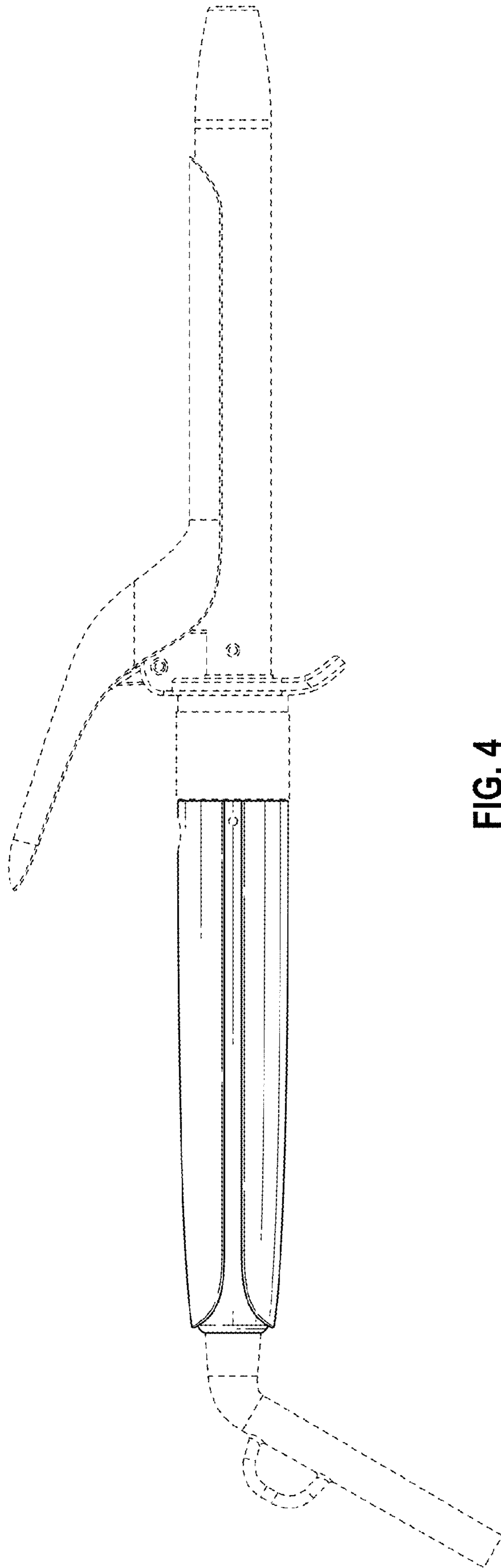
FIG. 1



**FIG. 2**



**FIG. 3**



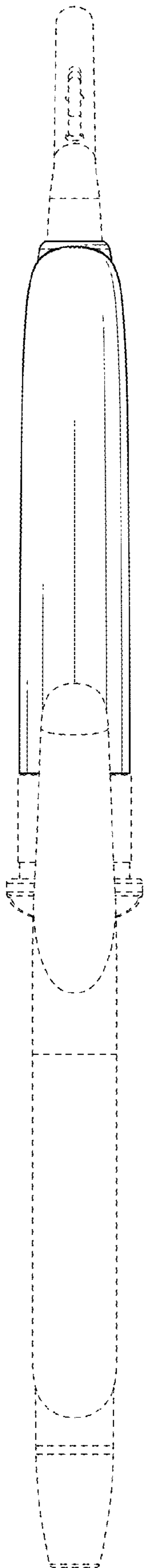


FIG. 6

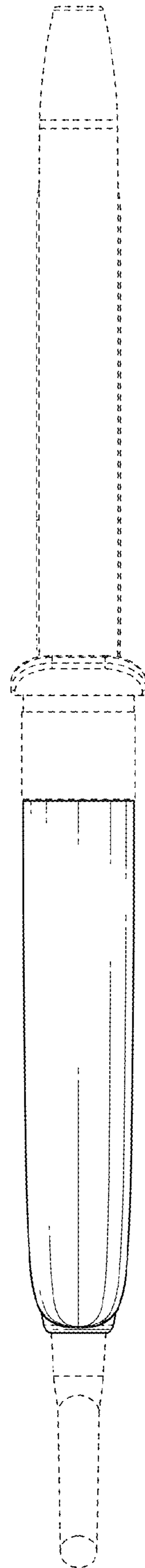


FIG. 7