



US00D989393S

(12) **United States Design Patent**  
**Wang**

(10) **Patent No.:** **US D989,393 S**  
(45) **Date of Patent:** **\*\* Jun. 13, 2023**

- (54) **HAIR STRAIGHTENER**
- (71) Applicant: **Mei Guan Wang**, Taipei (TW)
- (72) Inventor: **Mei Guan Wang**, Taipei (TW)
- (\*\*) Term: **15 Years**
- (21) Appl. No.: **29/789,665**
- (22) Filed: **Oct. 12, 2021**
- (51) **LOC (14) Cl.** ..... **28-03**
- (52) **U.S. Cl.**  
USPC ..... **D28/35**
- (58) **Field of Classification Search**  
USPC ..... D28/35  
CPC .... A45D 2/00; A45D 2/001; A45D 2001/004;  
A45D 6/00; A45D 7/00; A45D 7/02;  
A45D 7/04; A45D 7/06; A45D 1/00;  
A45D 1/02; A45D 1/04; A45D 1/06;  
A45D 1/08; A45D 1/10; A45D 1/18;  
A45D 1/20; A45D 1/28  
See application file for complete search history.

D935,691 S \* 11/2021 Bouhon ..... D28/35  
D979,134 S \* 2/2023 Santos ..... D28/35  
2015/0296950 A1\* 10/2015 Everett, Jr. .... A45D 2/001  
132/269

**OTHER PUBLICATIONS**

TRESemme Ceramic Straightener, first available on Jun. 29, 2015 on amazon.co.uk, retrieved from: [https://www.amazon.co.uk/TRESemme-2089TU-Ceramic-Straightener/dp/B010SW0QT4/ref=sr\\_1\\_14?crd=127X3ABH87EC8&keywords=hair%2Bstraightener&qid=1677688897&sprefix=hair%2Bstraightener%2Caps%2C268&sr=8-14&th=1](https://www.amazon.co.uk/TRESemme-2089TU-Ceramic-Straightener/dp/B010SW0QT4/ref=sr_1_14?crd=127X3ABH87EC8&keywords=hair%2Bstraightener&qid=1677688897&sprefix=hair%2Bstraightener%2Caps%2C268&sr=8-14&th=1).\*

\* cited by examiner

*Primary Examiner* — Alison M Ofstun  
(74) *Attorney, Agent, or Firm* — Shimokaji IP

(57) **CLAIM**

The ornamental design for a hair straightener, as shown and described.

**DESCRIPTION**

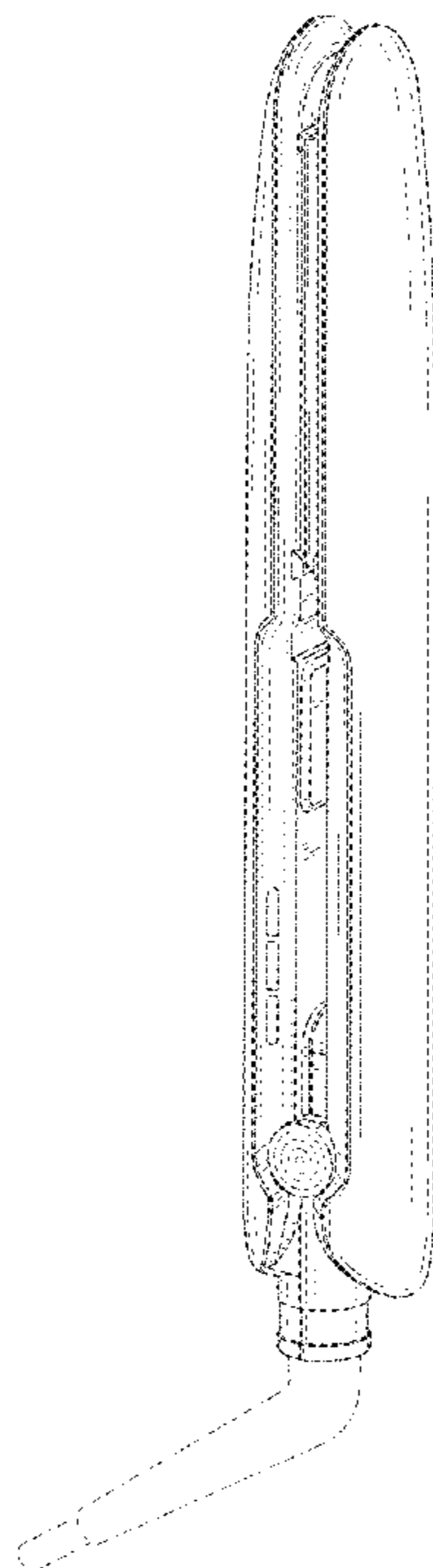
FIG. 1 is a front elevational view of a hair straightener showing my new design;  
FIG. 2 is a rear elevational view thereof;  
FIG. 3 is a left side elevational view thereof;  
FIG. 4 is a right side elevational view thereof;  
FIG. 5 is a top plan view thereof;  
FIG. 6 is a bottom plan view thereof;  
FIG. 7 is a first perspective view thereof; and,  
FIG. 8 is a second perspective view thereof.  
The broken lines shown in the drawings depict portions of the hair straightener that form no part of the claimed design.

(56) **References Cited**

**U.S. PATENT DOCUMENTS**

D632,428 S *	2/2011	Kim	.....	D28/35
D672,088 S *	12/2012	Julemont	.....	D28/35
D716,497 S *	10/2014	Renault	.....	D28/35
D816,900 S *	5/2018	Di Marco	.....	D28/35
D816,902 S *	5/2018	Delassus	.....	D28/35
D837,448 S *	1/2019	Maochang	.....	D28/35
D874,724 S *	2/2020	Deffrennes	.....	D28/35
D907,848 S *	1/2021	Julemont	.....	D28/35
D913,589 S *	3/2021	Thalman	.....	D28/35
D933,293 S *	10/2021	Lin	.....	D28/35

**1 Claim, 6 Drawing Sheets**



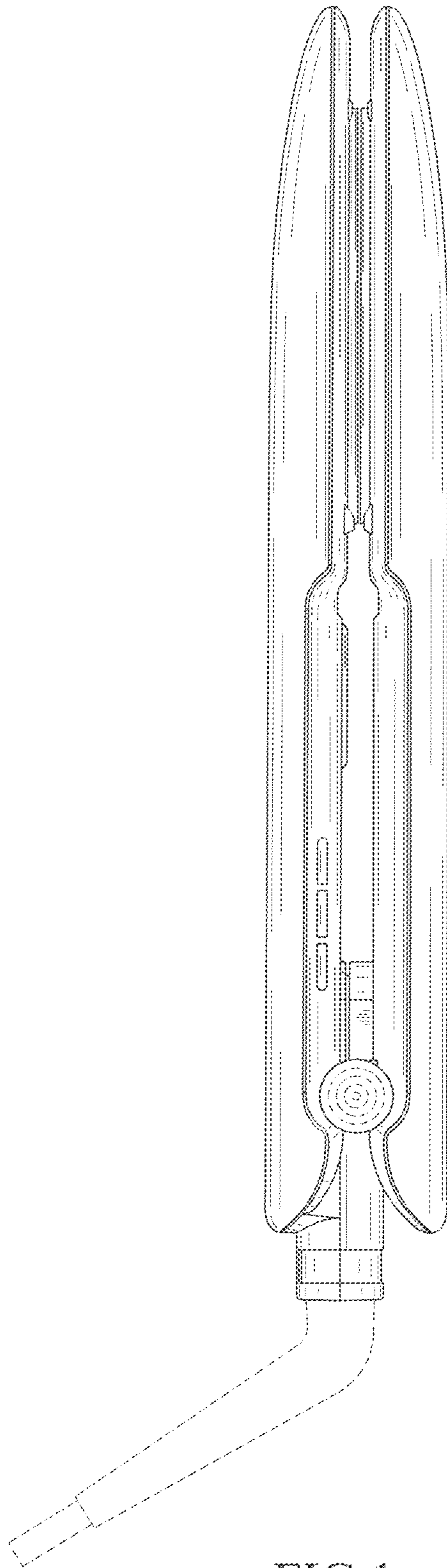


FIG. 1

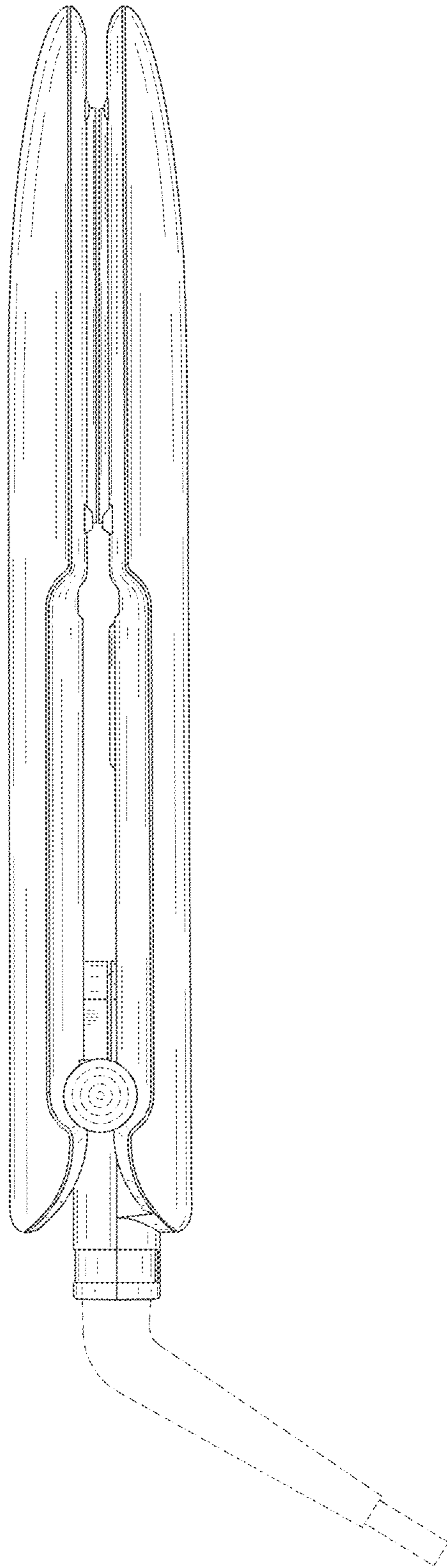


FIG.2

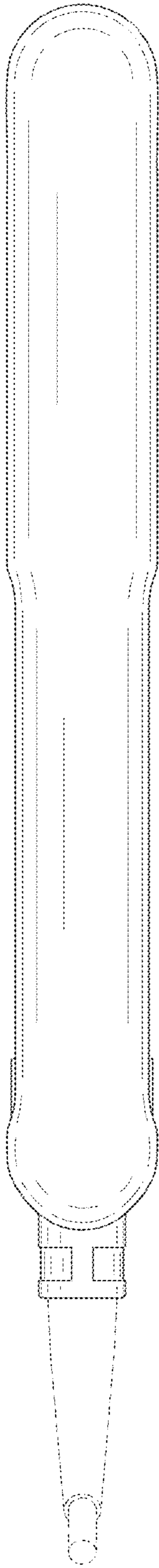


FIG.3

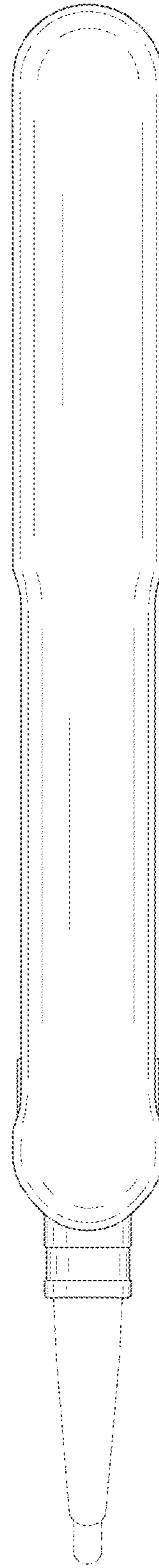


FIG.4

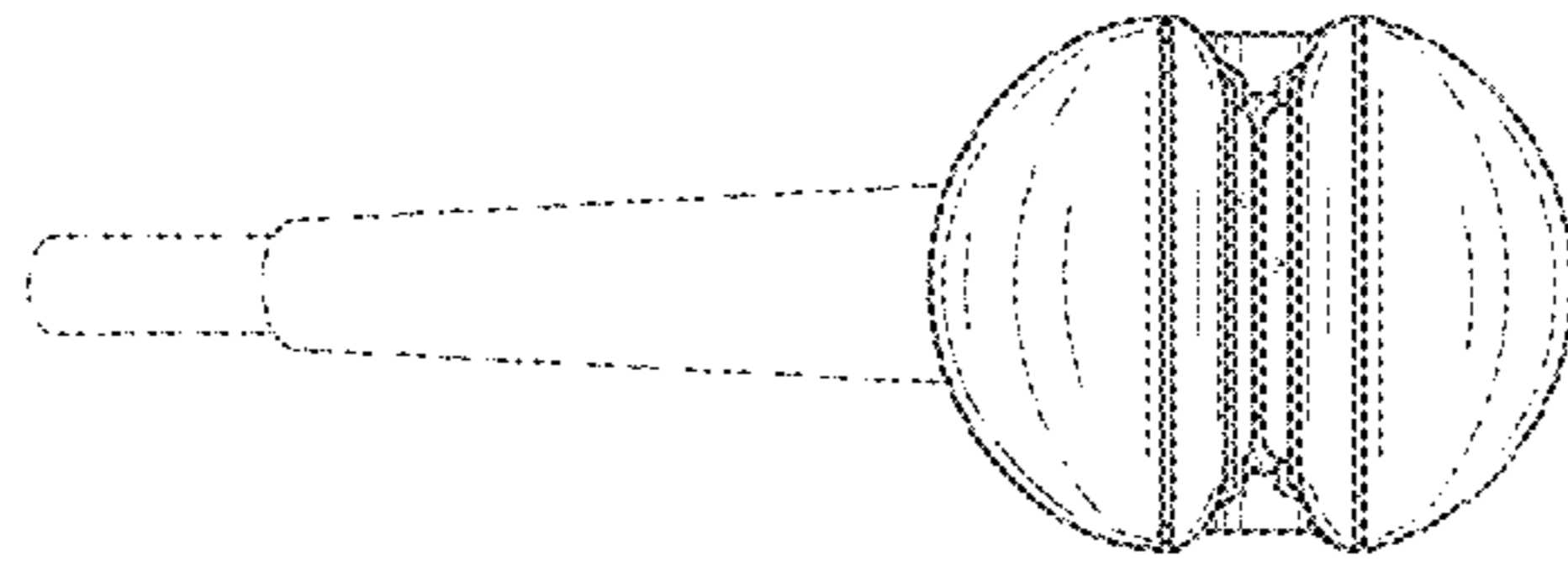


FIG.5

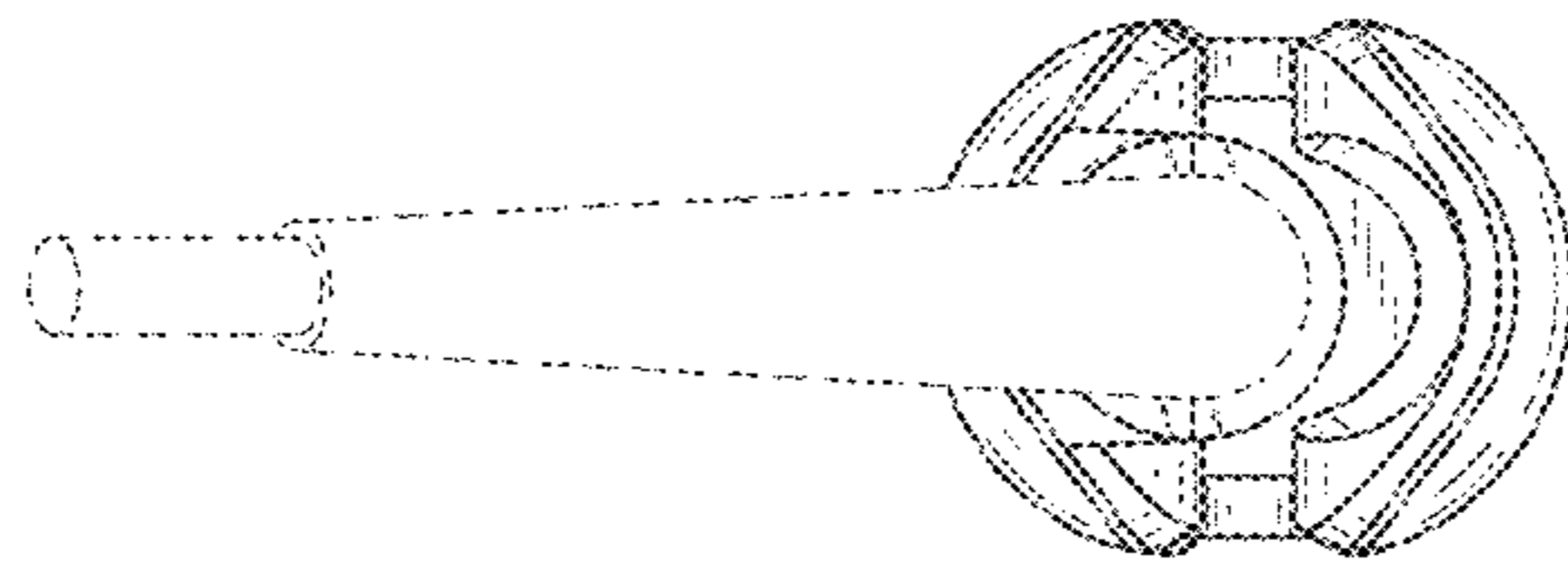


FIG.6

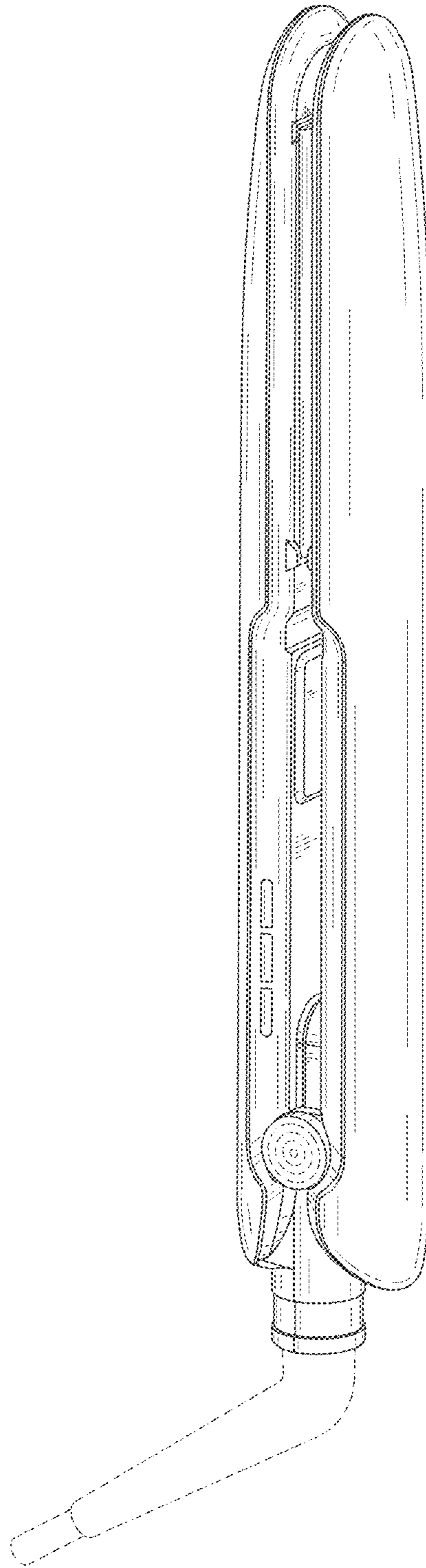


FIG. 7

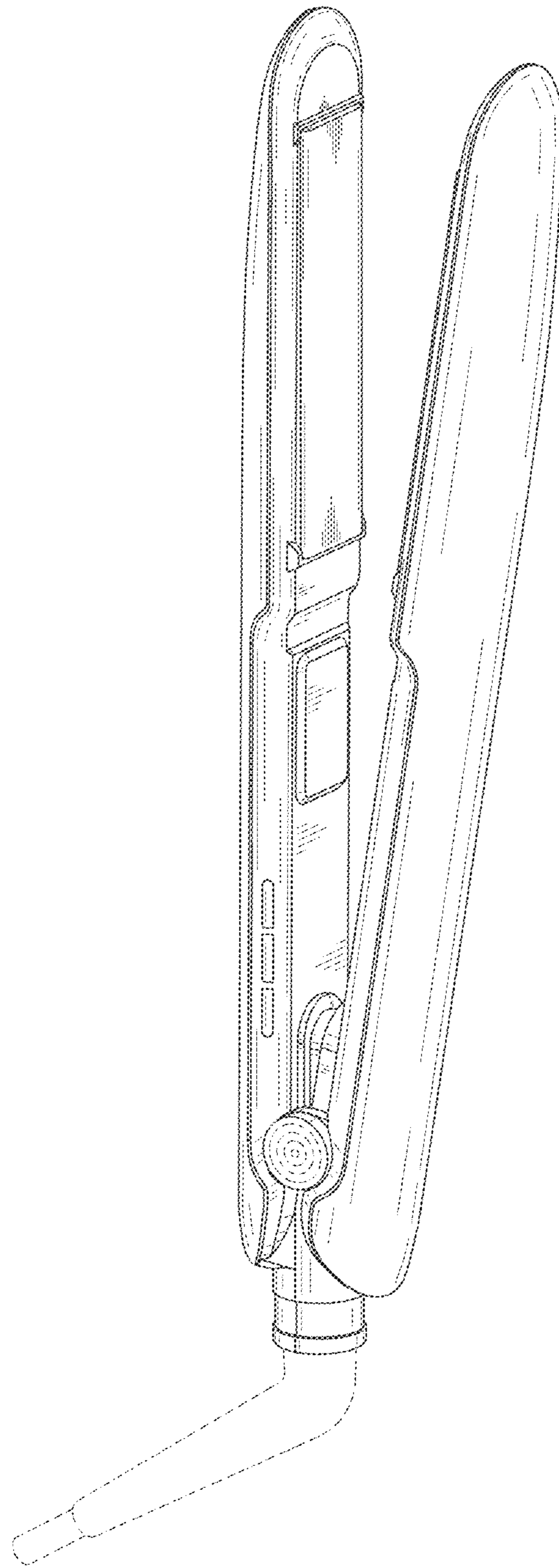


FIG.8