



US00D989390S

(12) **United States Design Patent**
Vila

(10) **Patent No.:** **US D989,390 S**
(45) **Date of Patent:** **** Jun. 13, 2023**

- (54) **CIGARETTE-MAKING MACHINE**
- (71) Applicant: **REPUBLIC BRANDS L.P.**, Glenview, IL (US)
- (72) Inventor: **Santiago Sanchez Vila**, Barcelona (ES)
- (73) Assignee: **REPUBLIC BRANDS L.P.**, Glenview, IL (US)
- (**) Term: **15 Years**
- (21) Appl. No.: **29/833,844**
- (22) Filed: **Apr. 7, 2022**

D436,687 S 1/2001 Kastner
 6,206,006 B1 3/2001 Schutze et al.
 6,345,624 B1 2/2002 Kastner
 (Continued)

FOREIGN PATENT DOCUMENTS

DE 202012102605 U 10/2013

OTHER PUBLICATIONS

Gambler, Cigarette Making Machine, Image Front and Side View, 1 page, publicly available at least as early as May 2, 2007.

(Continued)

Primary Examiner — Rebecca Tsehaye

(74) *Attorney, Agent, or Firm* — Michael Best & Friedrich LLP

Related U.S. Application Data

- (62) Division of application No. 29/746,829, filed on Aug. 18, 2020, now Pat. No. Des. 952,938.
- (51) **LOC (14) Cl.** **27-99**
- (52) **U.S. Cl.**
USPC **D27/194**
- (58) **Field of Classification Search**
USPC D27/194, 100, 172, 183, 184, 186, 187, D27/192
CPC A24C 5/40; A24C 5/42; A24C 5/44; A24C 5/46; A24C 5/465; A24C 5/52; A24C 5/00; A24C 5/02; A24C 5/10; A24C 5/01
See application file for complete search history.

(57) **CLAIM**

I claim the ornamental design for a cigarette-making machine, as shown and described.

DESCRIPTION

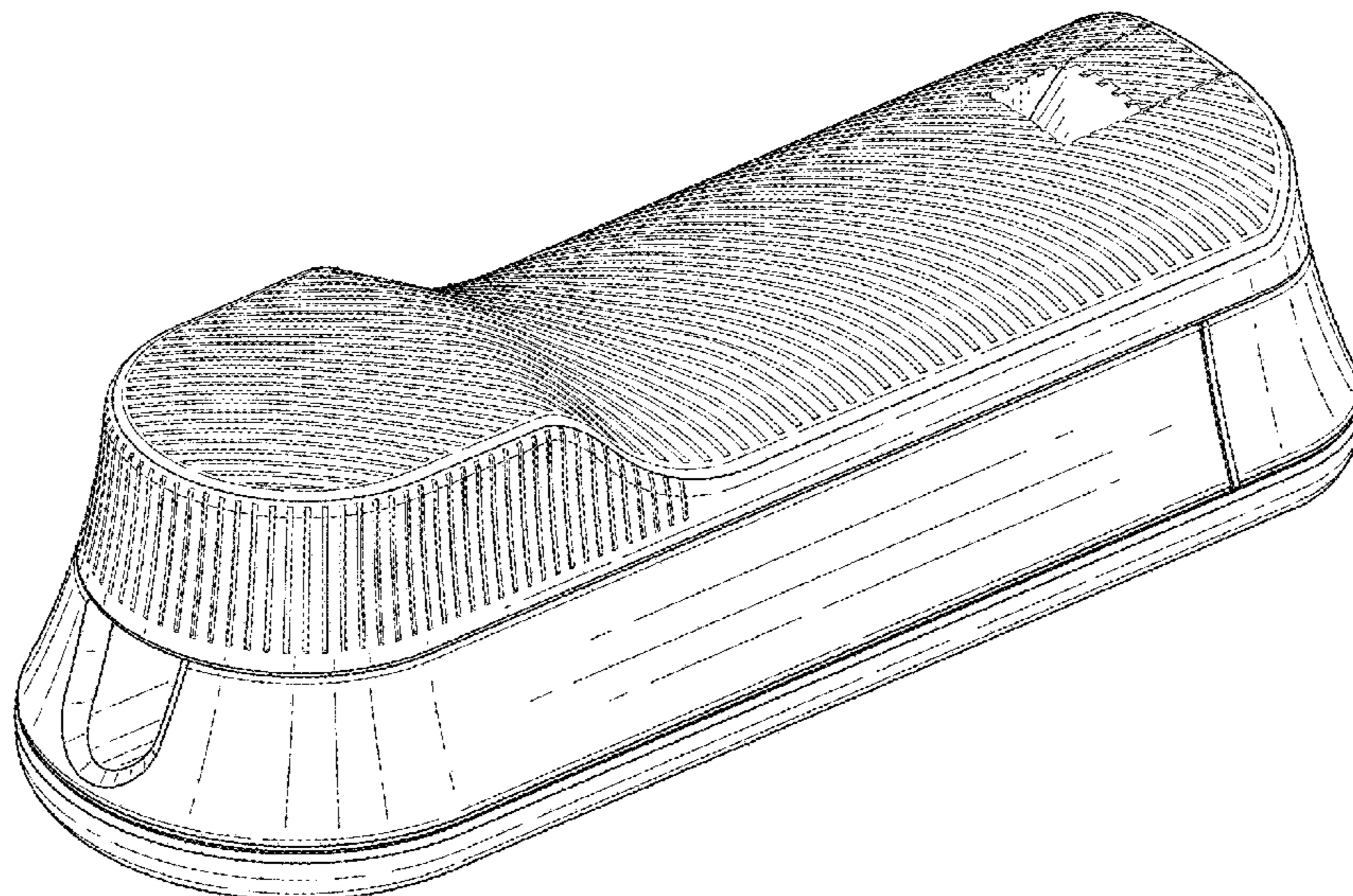
FIG. 1 is a perspective view of a cigarette-making machine. FIG. 2 is a left elevation view of the cigarette-making machine shown in FIG. 1. FIG. 3 is a right elevation view of the cigarette-making machine shown in FIG. 1. FIG. 4 is a front elevation view of the cigarette-making machine shown in FIG. 1. FIG. 5 is a rear elevation view of the cigarette-making machine shown in FIG. 1. FIG. 6 is a top plan view of the cigarette-making machine shown in FIG. 1; and, FIG. 7 is a bottom plan view of the cigarette-making machine shown in FIG. 1. The broken lines in the drawings depict portions of the cigarette-making machine that form no part of the claimed design.

(56) **References Cited**

U.S. PATENT DOCUMENTS

- | | | |
|-------------|---------|----------------|
| 3,741,220 A | 6/1973 | Meinunger |
| 3,783,882 A | 1/1974 | Messner et al. |
| D275,897 S | 10/1984 | Schutze et al. |
| 4,632,129 A | 12/1986 | Kastner |
| 4,771,793 A | 9/1988 | Kastner |
| 5,398,701 A | 3/1995 | Neumann et al. |
| 5,450,861 A | 9/1995 | Colani |
| D366,053 S | 1/1996 | Neumann et al. |
| 5,657,768 A | 8/1997 | Neumann et al. |

1 Claim, 6 Drawing Sheets



(56)

References Cited

U.S. PATENT DOCUMENTS

D473,339 S 4/2003 Yu
6,571,800 B1 6/2003 Yu
D492,445 S 6/2004 Parcevaux
D494,315 S 8/2004 Cartier
6,978,789 B2 12/2005 Garbarino
7,066,183 B2 6/2006 Parcevaux
D547,002 S 7/2007 Lin
D569,033 S 5/2008 Parcevaux
D570,540 S 6/2008 Feldmann et al.
D643,973 S 8/2011 Nurnberg
D665,529 S 8/2012 Malacsina
D700,398 S 2/2014 Lin
D799,750 S 10/2017 Parcevaux
D834,248 S 11/2018 Cordani
10,231,480 B1 3/2019 Parcevaux
D875,307 S 2/2020 Storcks et al.
D952,938 S * 5/2022 Vila D27/194

D964,642 S * 9/2022 Roehm D27/162
2004/0099276 A1 5/2004 Parcevaux
2004/0200485 A1 10/2004 Garbarino
2011/0192406 A1 8/2011 Neumann

OTHER PUBLICATIONS

Top, Cigarette Making Machine, Image Front and Side View, 1 page, publicly available at least as early as May 2, 2007.
Bugler Premium, Cigarette Making Machine, Image Front and Side View, 1 page, publicly available at least as early as May 2, 2007.
Rizla+, Cigarette Making Machine, Image Front and Side View, 1 page, publicly available at least as early as May 2, 2007.
Zig-Zag 100s, Cigarette Making Machine, Image Front and Side View, 1 page, publicly available at least as early as May 2, 2007.
Cigarette Maker Tobacco Rolling Machine By: Bugler found on Amazon Jan. 9, 2021 <https://www.amazon.com/Bugler-Shooter-Injector-Cigarette-Tobacco/dp/B071ZN4F3S/ref=9/6/2019>.

* cited by examiner

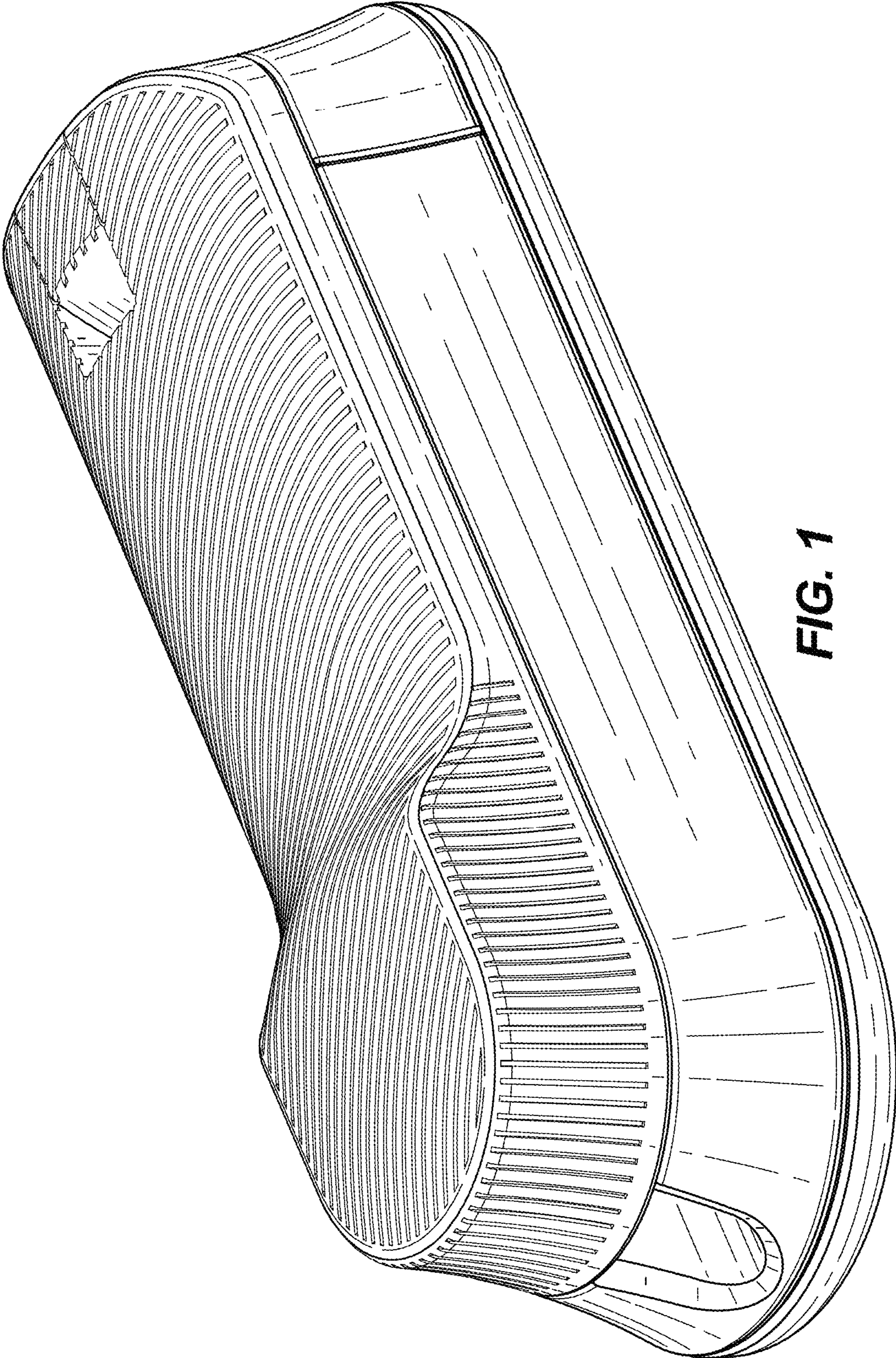


FIG. 1

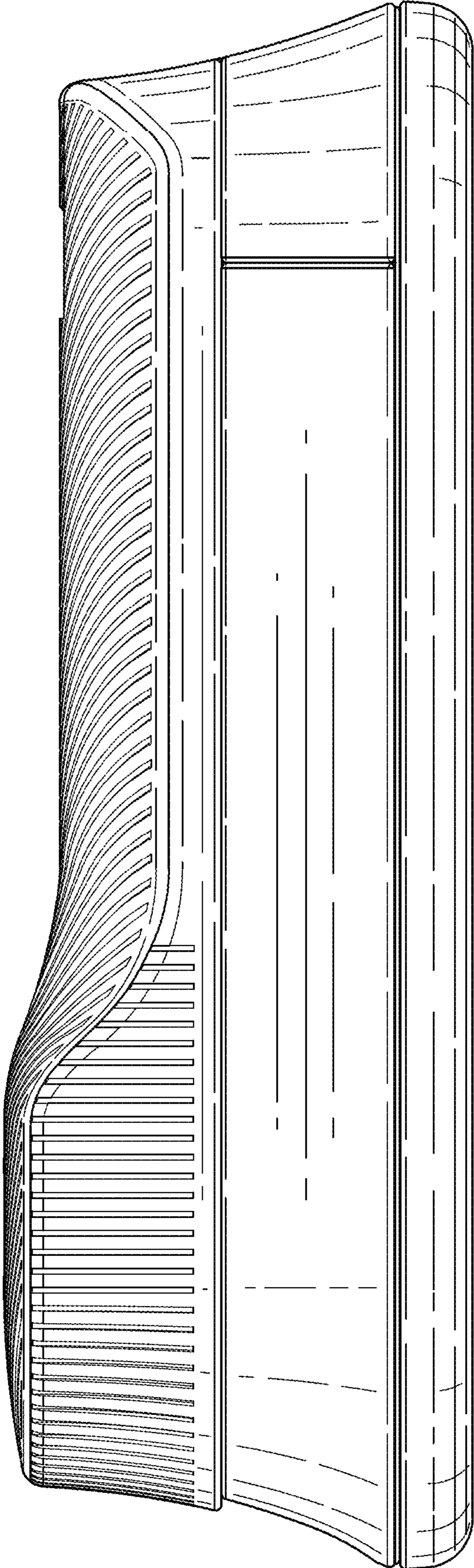


FIG. 2

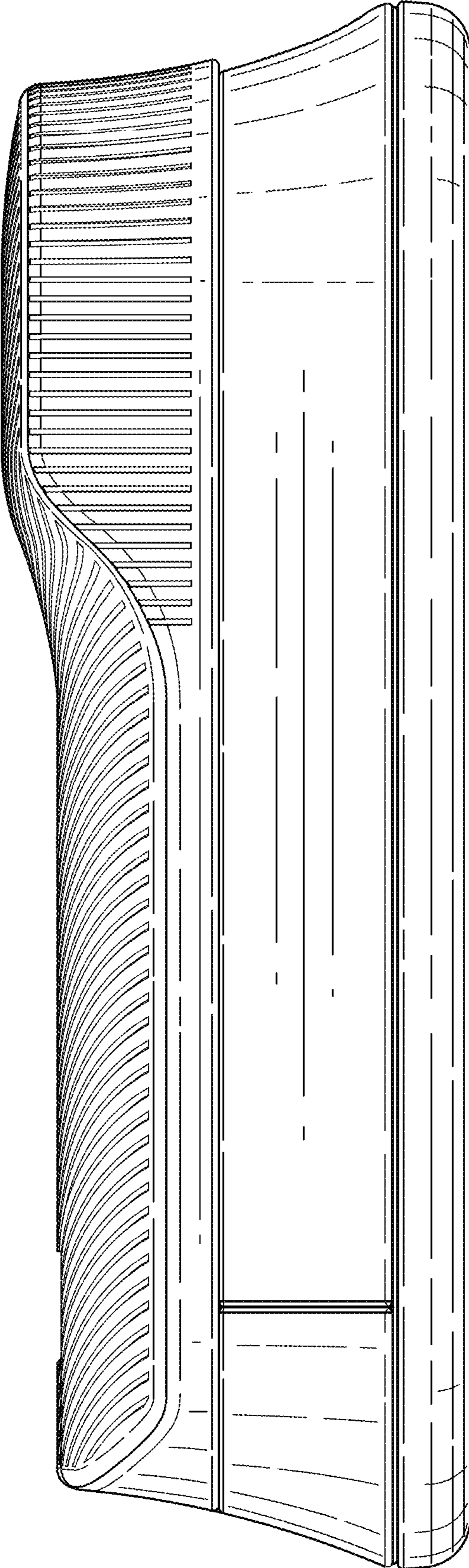


FIG. 3

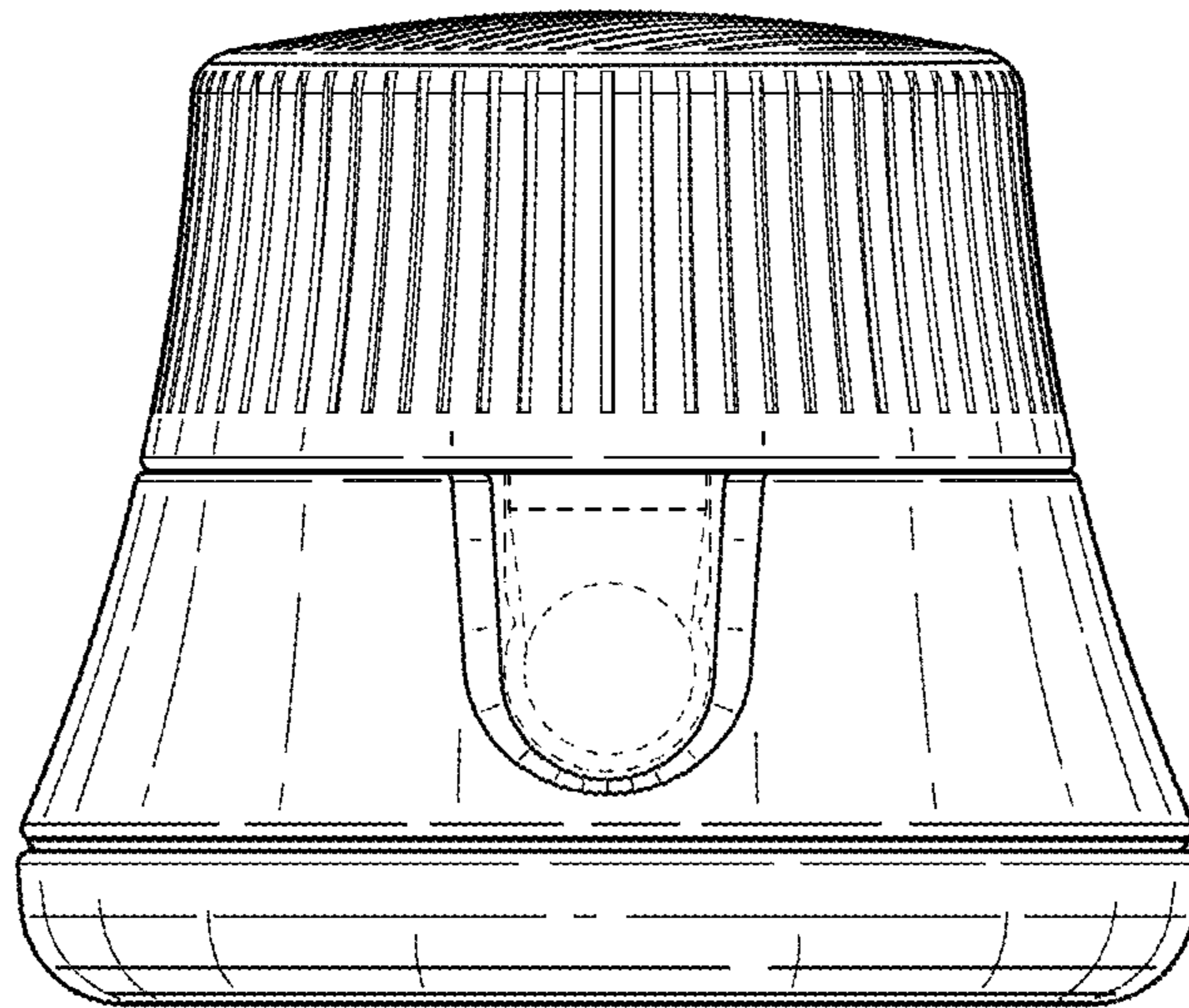


FIG. 4

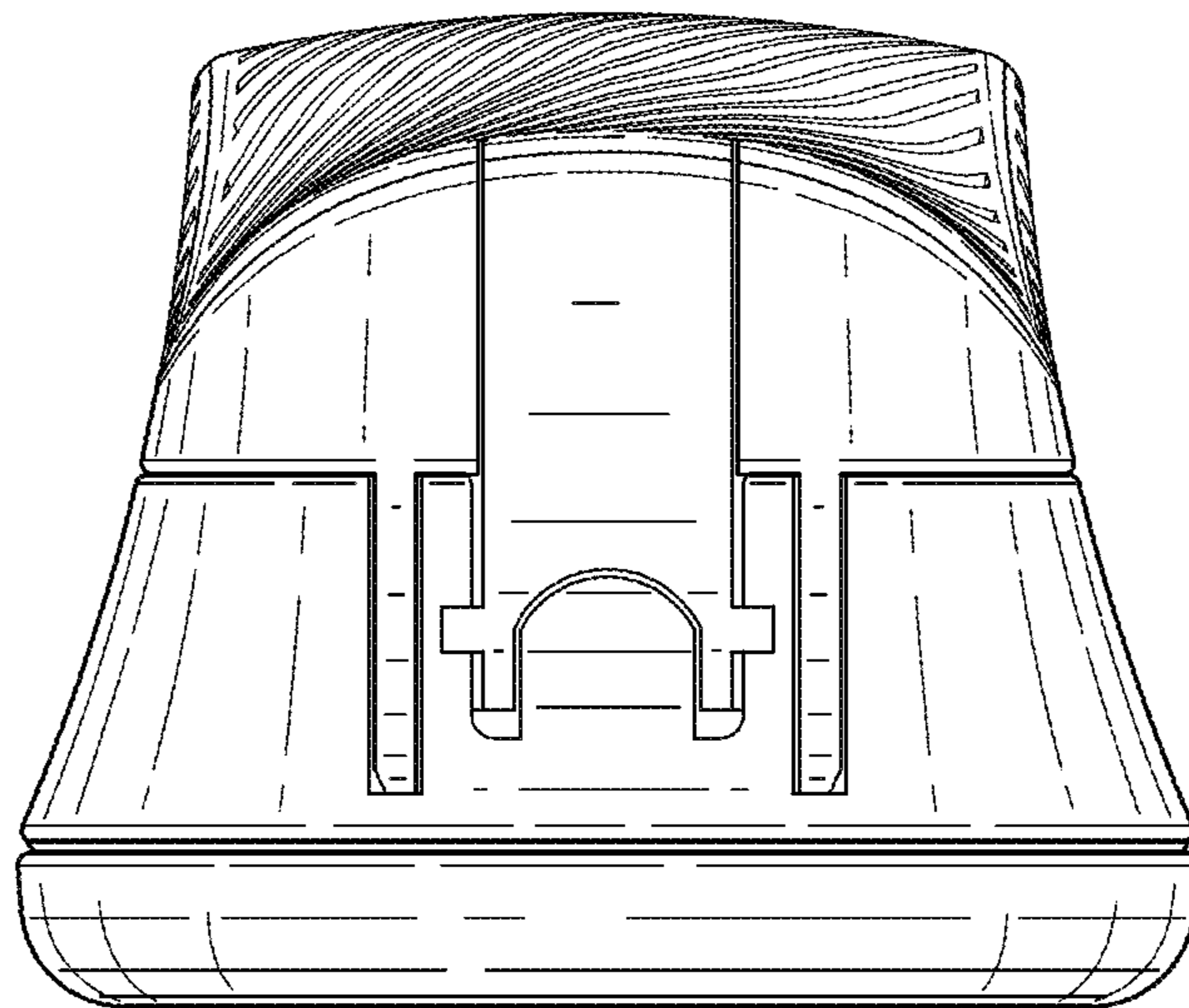


FIG. 5

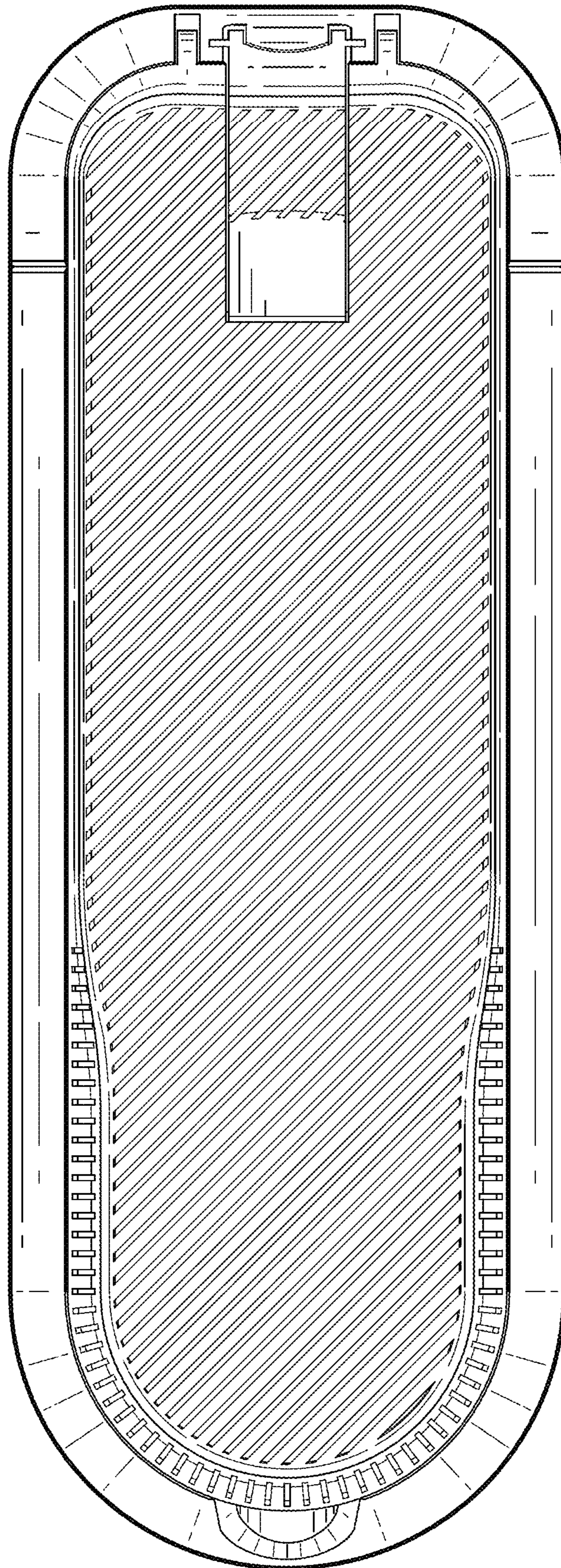


FIG. 6

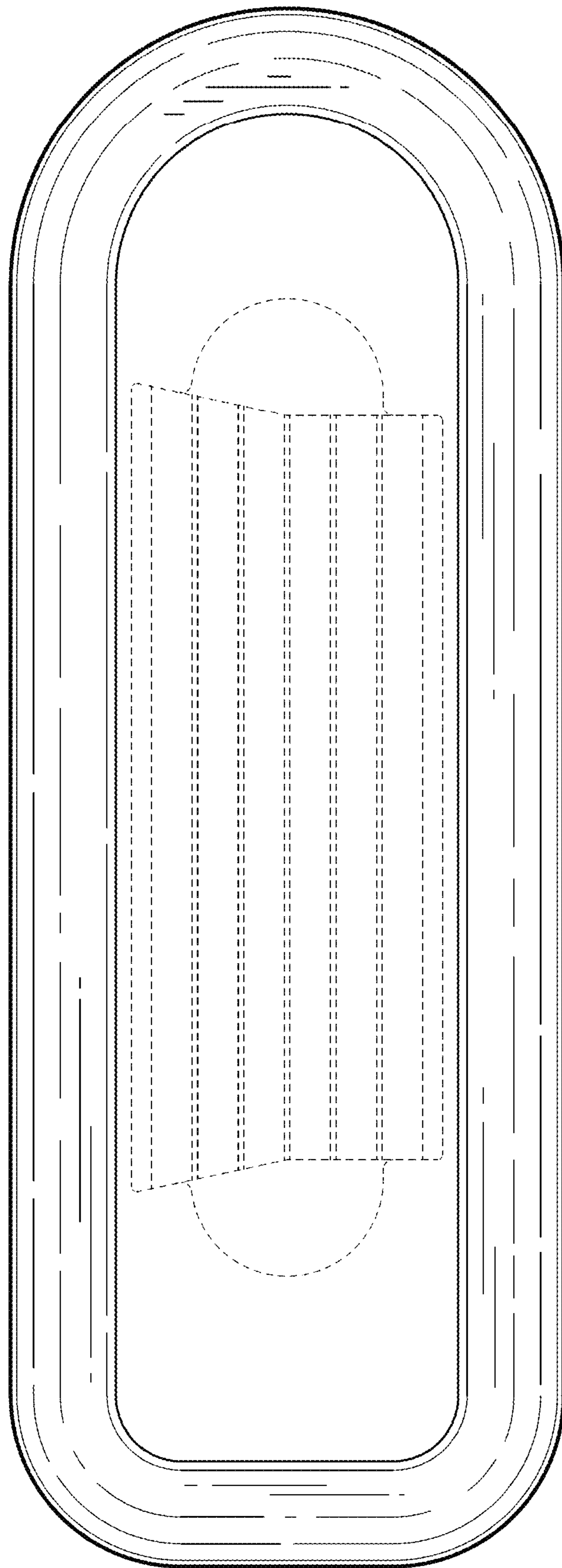


FIG. 7