



US00D989389S

(12) **United States Design Patent**  
**Chen**

(10) **Patent No.:** **US D989,389 S**  
(45) **Date of Patent:** **\*\* Jun. 13, 2023**

- (54) **COMBINED CIGAR CASE WITH ASHTRAY**
- (71) Applicant: **Yebin Chen**, Guizhou Province (CN)
- (72) Inventor: **Yebin Chen**, Guizhou Province (CN)
- (\*\*) Term: **15 Years**
- (21) Appl. No.: **29/869,457**
- (22) Filed: **Dec. 30, 2022**
- (51) **LOC (14) Cl.** ..... **27-06**
- (52) **U.S. Cl.**  
USPC ..... **D27/187**
- (58) **Field of Classification Search**  
USPC ..... D27/187, 102, 108–111, 125, 126, 128,  
D27/172, 180, 183, 186, 194; D9/414,  
D9/432, 436, 643, 648  
CPC .... A24F 19/00; A24F 19/105; A24F 19/0014;  
A24F 19/0028; A24F 19/0035; A24F  
19/0092; A24F 19/0085; A24F 19/12;  
A24F 19/02  
See application file for complete search history.

D922,677 S \* 6/2021 Ziering ..... D27/183  
 D922,679 S \* 6/2021 Ziering ..... D27/183  
 D959,737 S \* 8/2022 Kang ..... D27/163

**OTHER PUBLICATIONS**

Cigar Ashtray Coaster Whiskey Glass Tray By: Scotte found on Amazon (Jan. 26, 2023) [https://www.amazon.com/Scotte-Ashtray-Coaster-Ashtrays-Accessories/dp/B0B17WD5WF/ref=sr\\_1\\_2?crid=2BG3UOAMSS4UU&keywords=](https://www.amazon.com/Scotte-Ashtray-Coaster-Ashtrays-Accessories/dp/B0B17WD5WF/ref=sr_1_2?crid=2BG3UOAMSS4UU&keywords=) (Jun. 25, 2022).\*

\* cited by examiner

*Primary Examiner* — Rebecca Tsehaye

(57) **CLAIM**

The ornamental design for a combined cigar case with ashtray, as shown and described.

**DESCRIPTION**

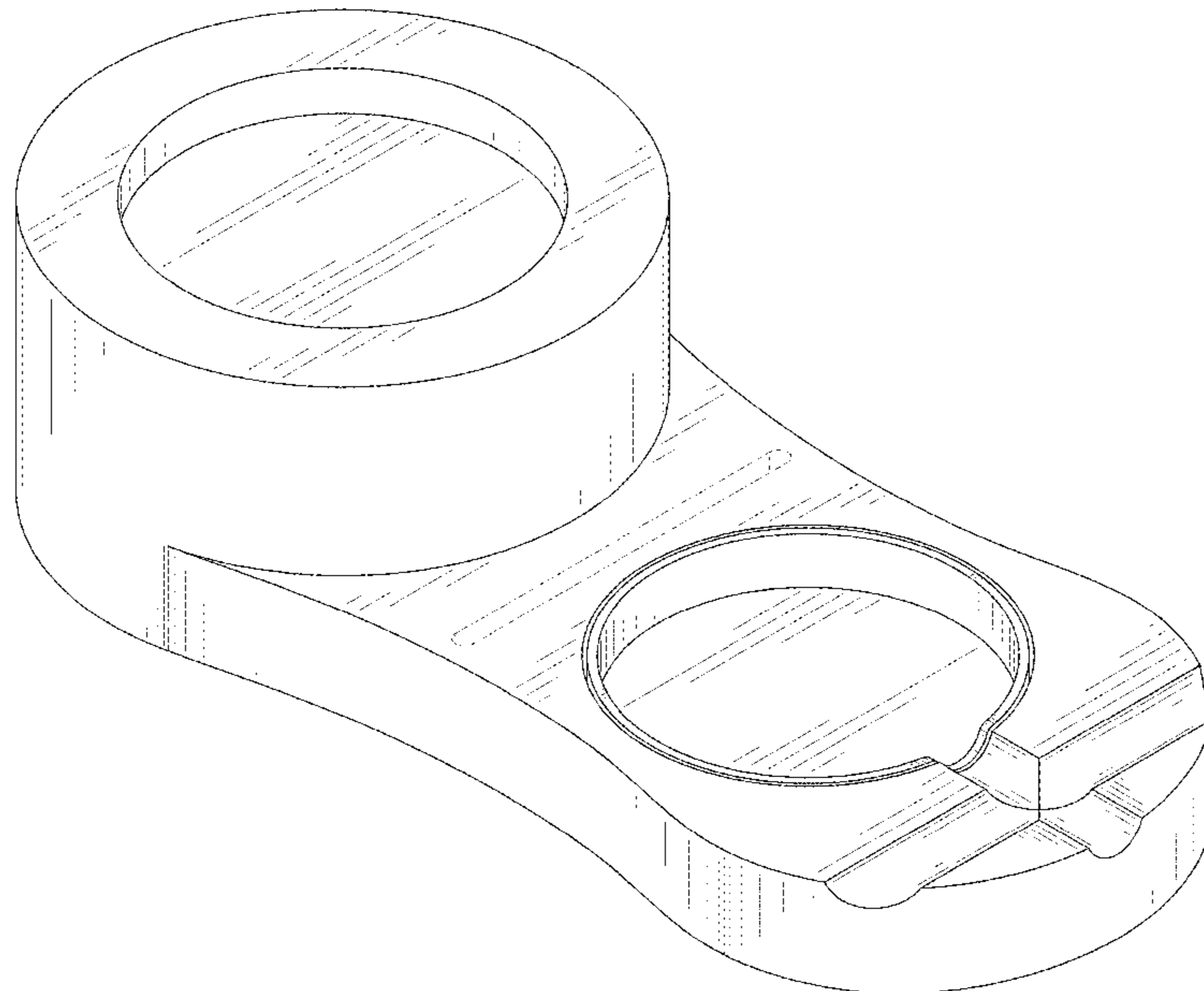
FIG. 1 is a front and top perspective view of a combined cigar case with ashtray, showing my new design; FIG. 2 is a rear and bottom perspective view thereof; FIG. 3 is a front elevation view thereof; FIG. 4 is a rear elevation view thereof; FIG. 5 is a left side elevation view thereof; FIG. 6 is a right side elevation view thereof; FIG. 7 is a top plan view thereof; FIG. 8 is a bottom plan view thereof; and, FIG. 9 is an enlarged perspective view of detail “9” identified in FIG. 2.

The dashed lines in the figures illustrate portions of the combined cigar case with ashtray that form no part of the claimed design. The dash dot dash lines in FIGS. 2 and 9 are for the purpose of illustrating the enlarged view indicators and form no part of the claimed design.

**1 Claim, 9 Drawing Sheets**

(56) **References Cited**  
U.S. PATENT DOCUMENTS

D263,784 S *	4/1982	Butler	.....	D27/126
D309,033 S *	7/1990	Mohr	.....	D27/106
D387,473 S *	12/1997	Angelakos	.....	D27/135
D412,762 S *	8/1999	Miller	.....	D27/102
D506,286 S	6/2005	Fontaine		
7,658,197 B1 *	2/2010	Villagomez	.....	A24F 3/02 131/245
D754,918 S *	4/2016	Jergenson	.....	D27/163
D777,527 S *	1/2017	Landphere	.....	D12/419
D856,762 S *	8/2019	Dangler	.....	D27/126
D856,763 S *	8/2019	Dangler	.....	D7/701
D856,764 S *	8/2019	Dangler	.....	D27/126
D862,794 S *	10/2019	Wolk	.....	D27/187
D888,513 S *	6/2020	Dangler	.....	D27/126
D904,679 S *	12/2020	Grigenas	.....	D27/162



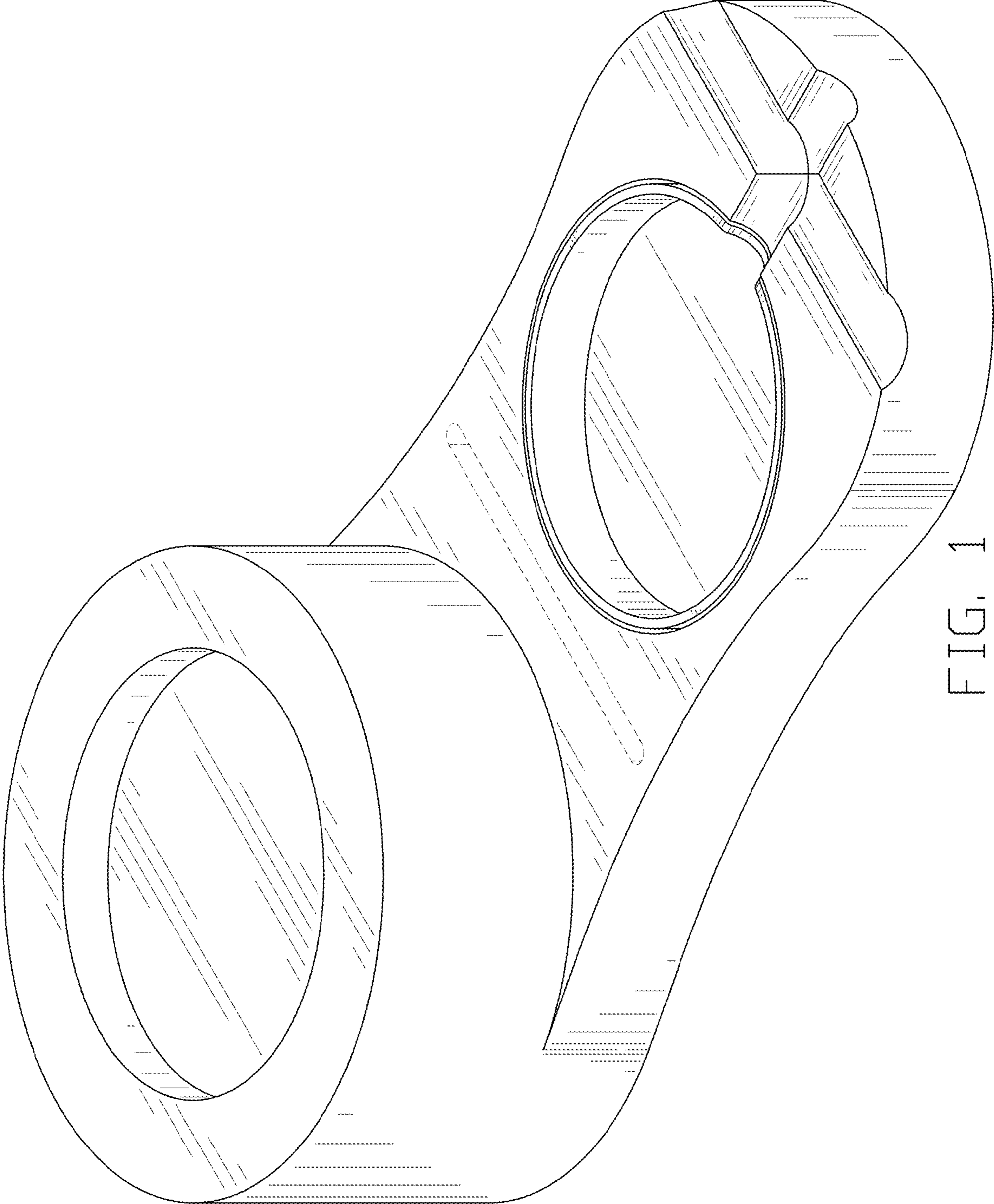


FIG. 1

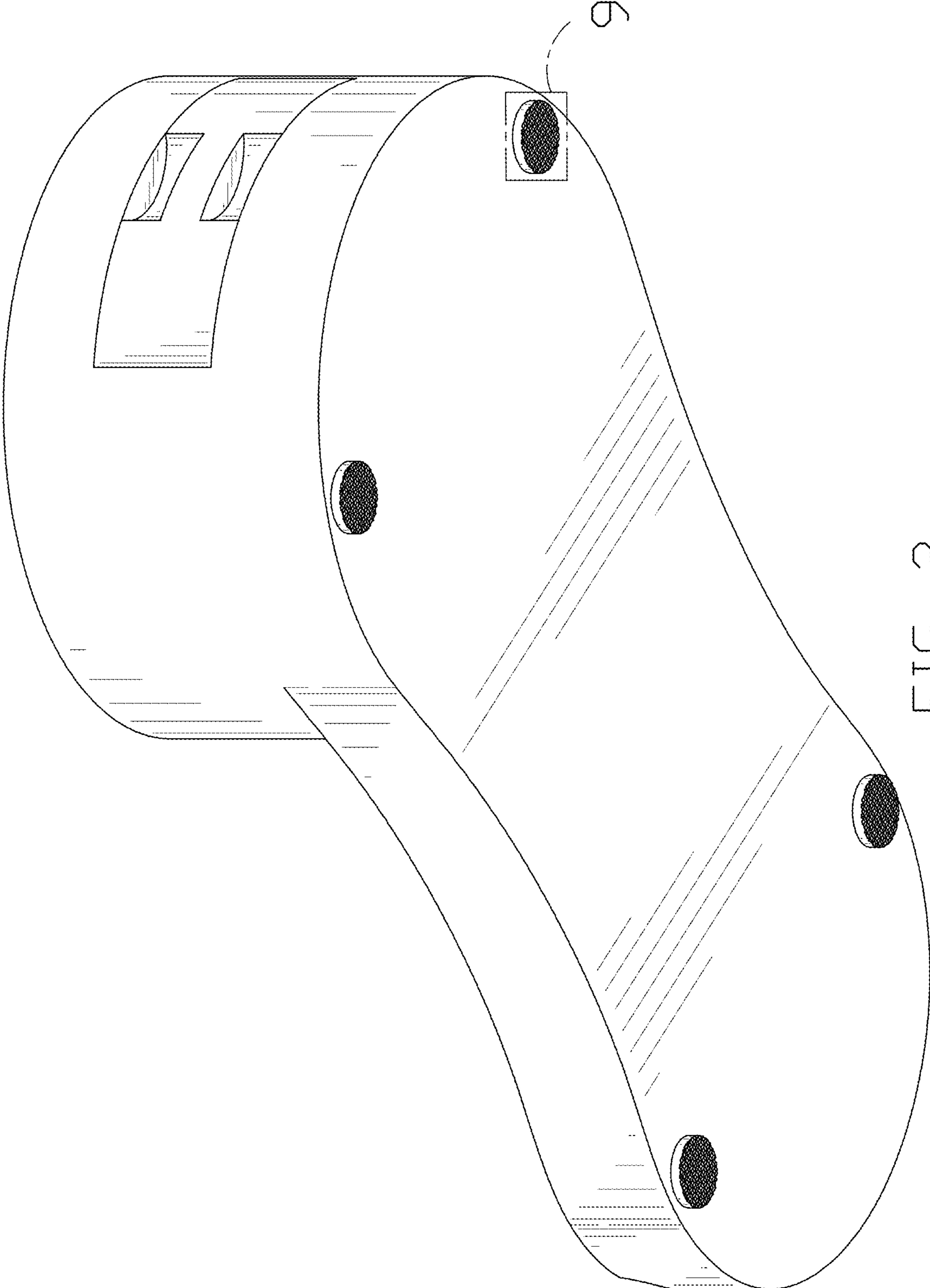


FIG. 2

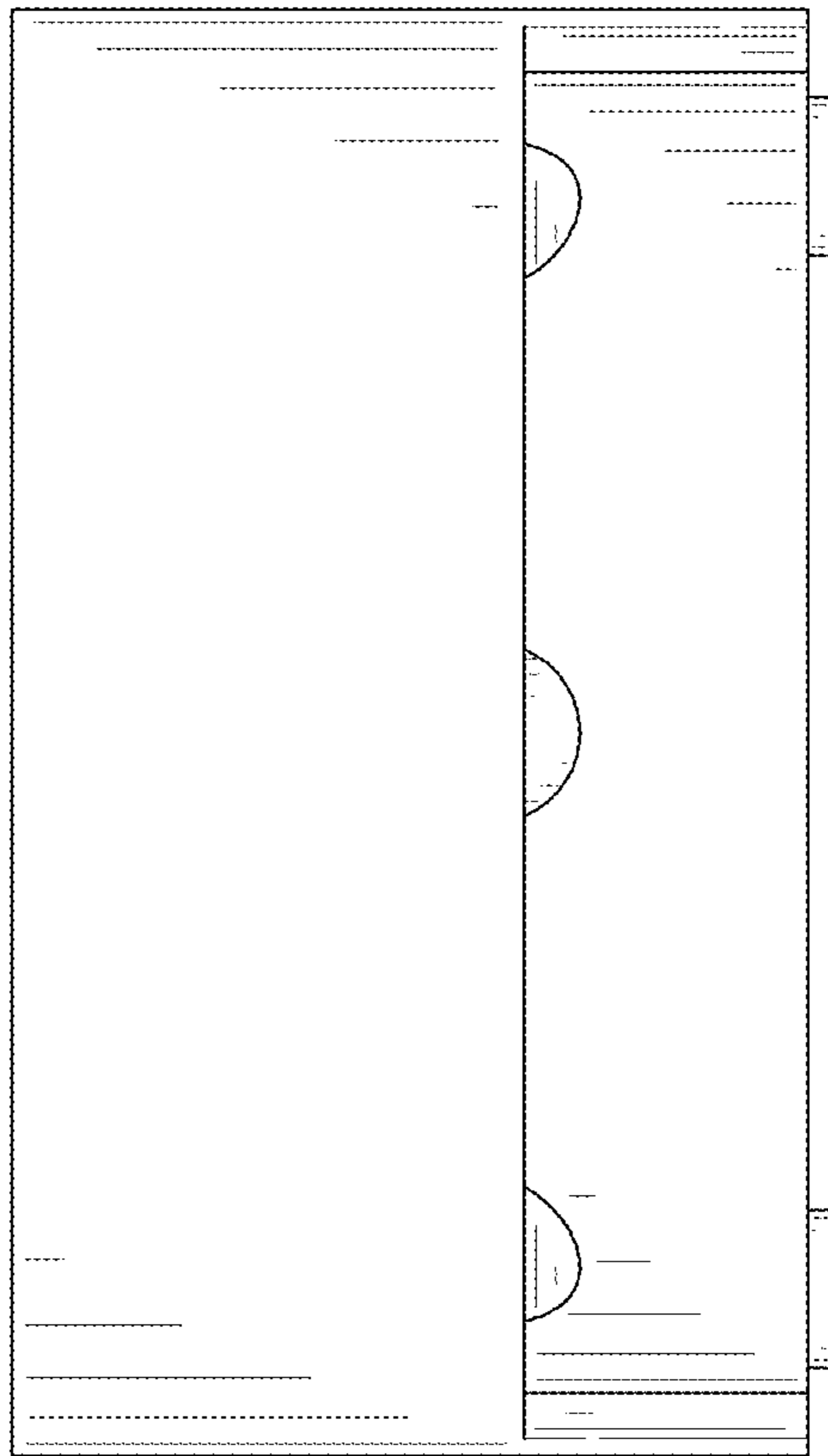


FIG. 3

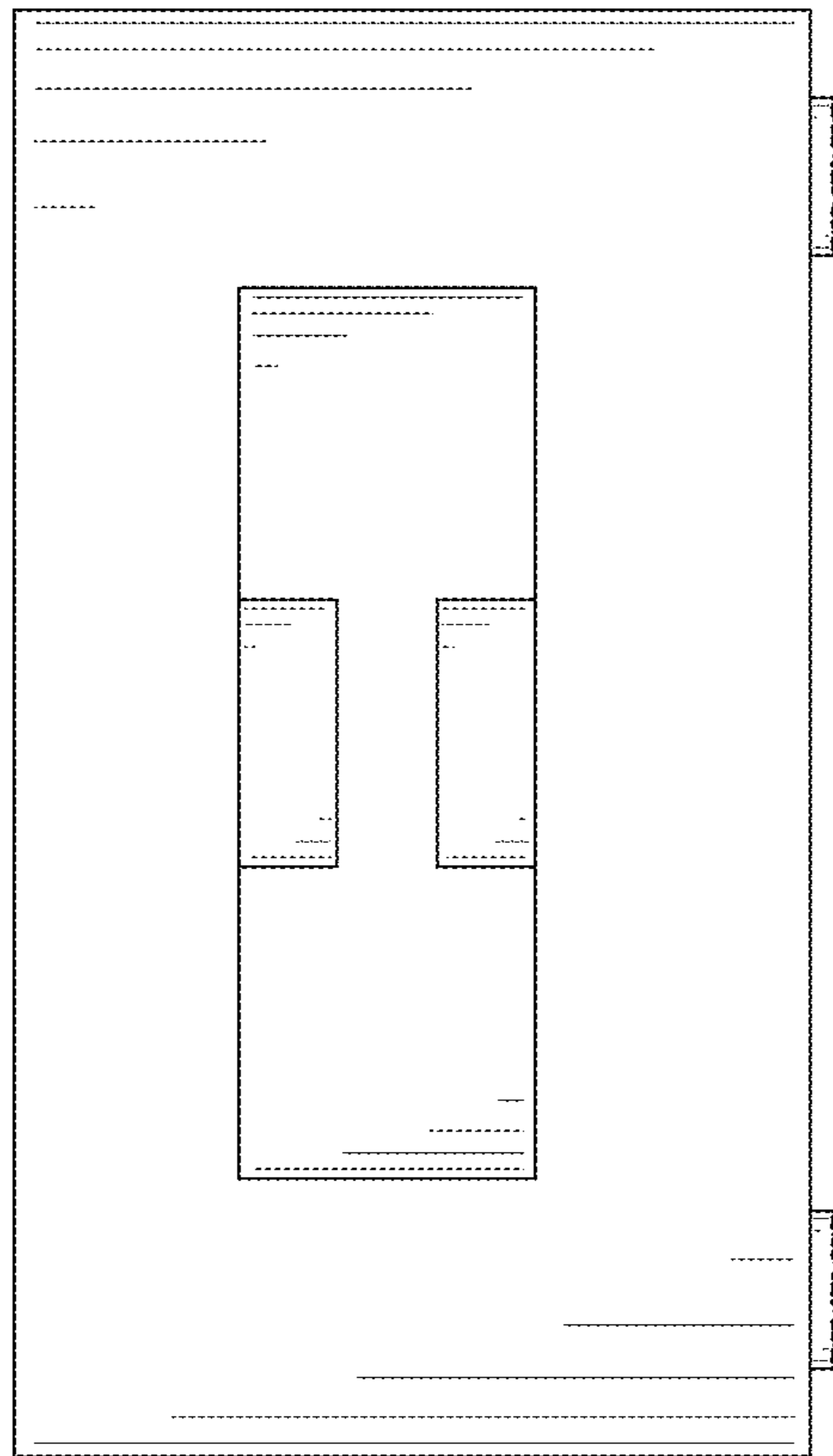


FIG. 4

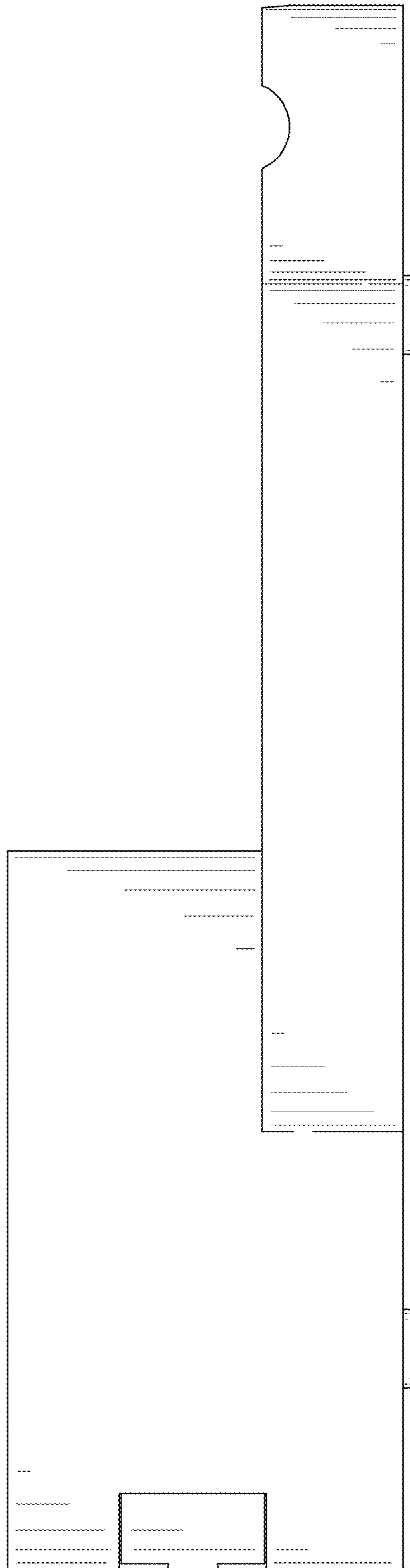


FIG. 5

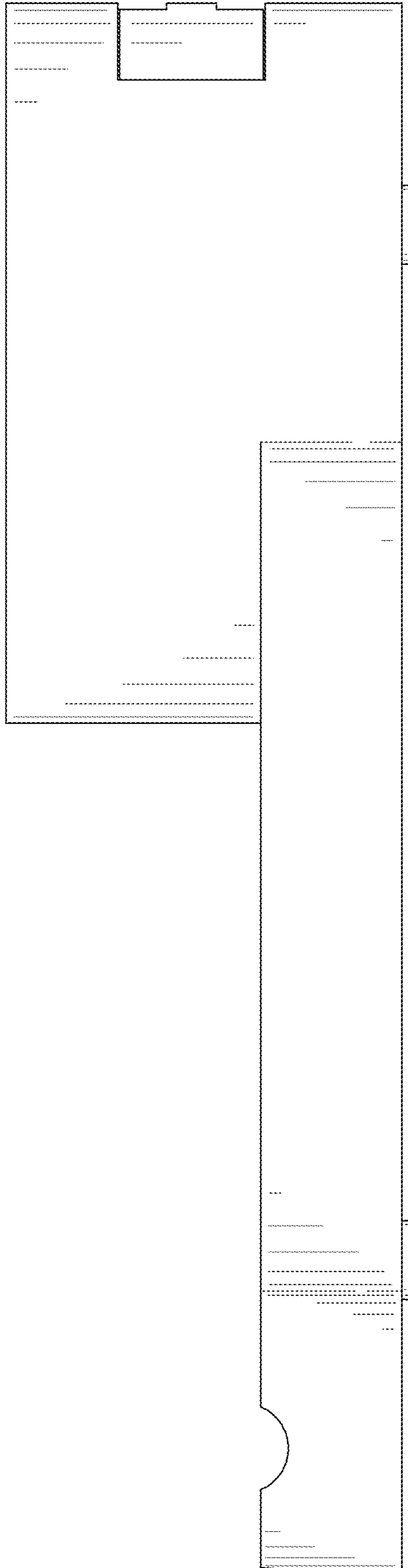


FIG. 6

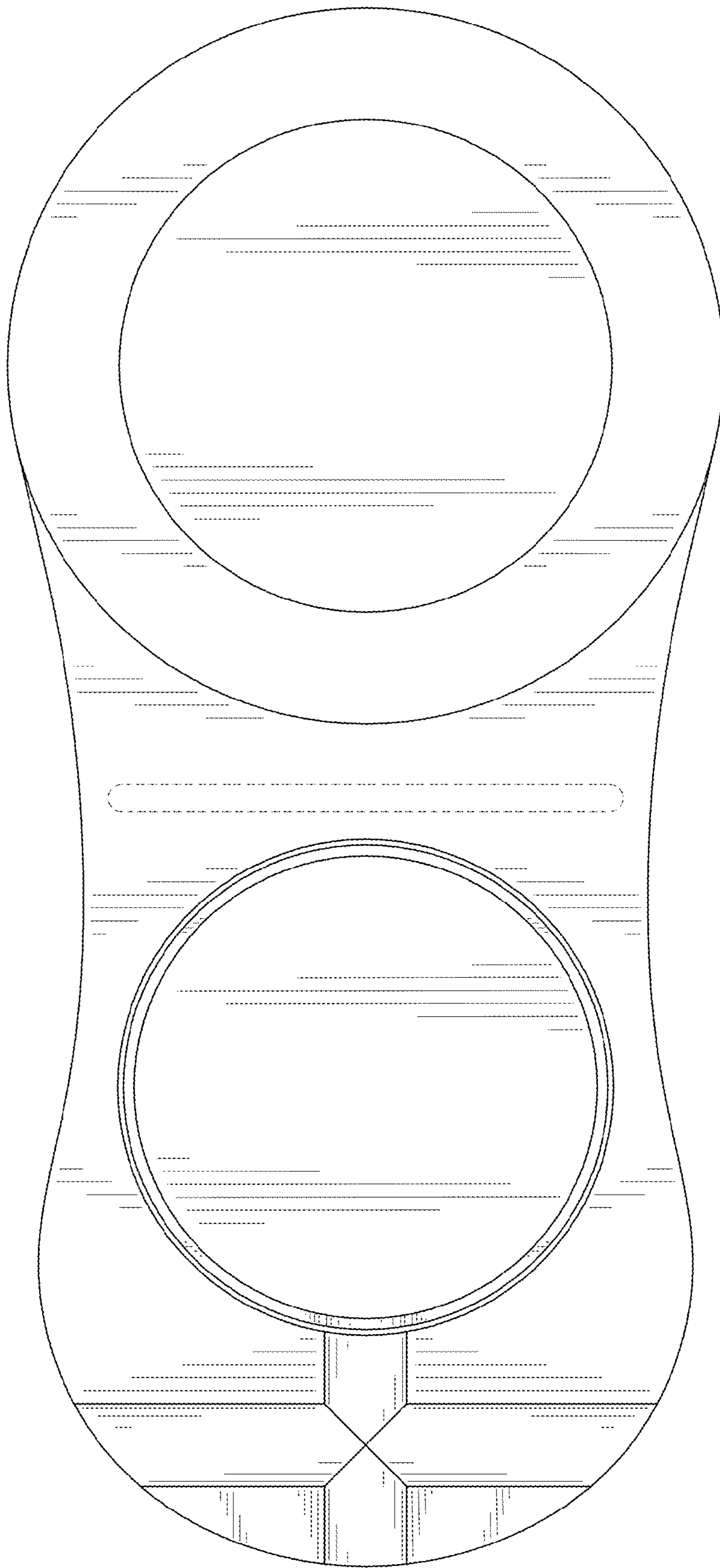


FIG. 7



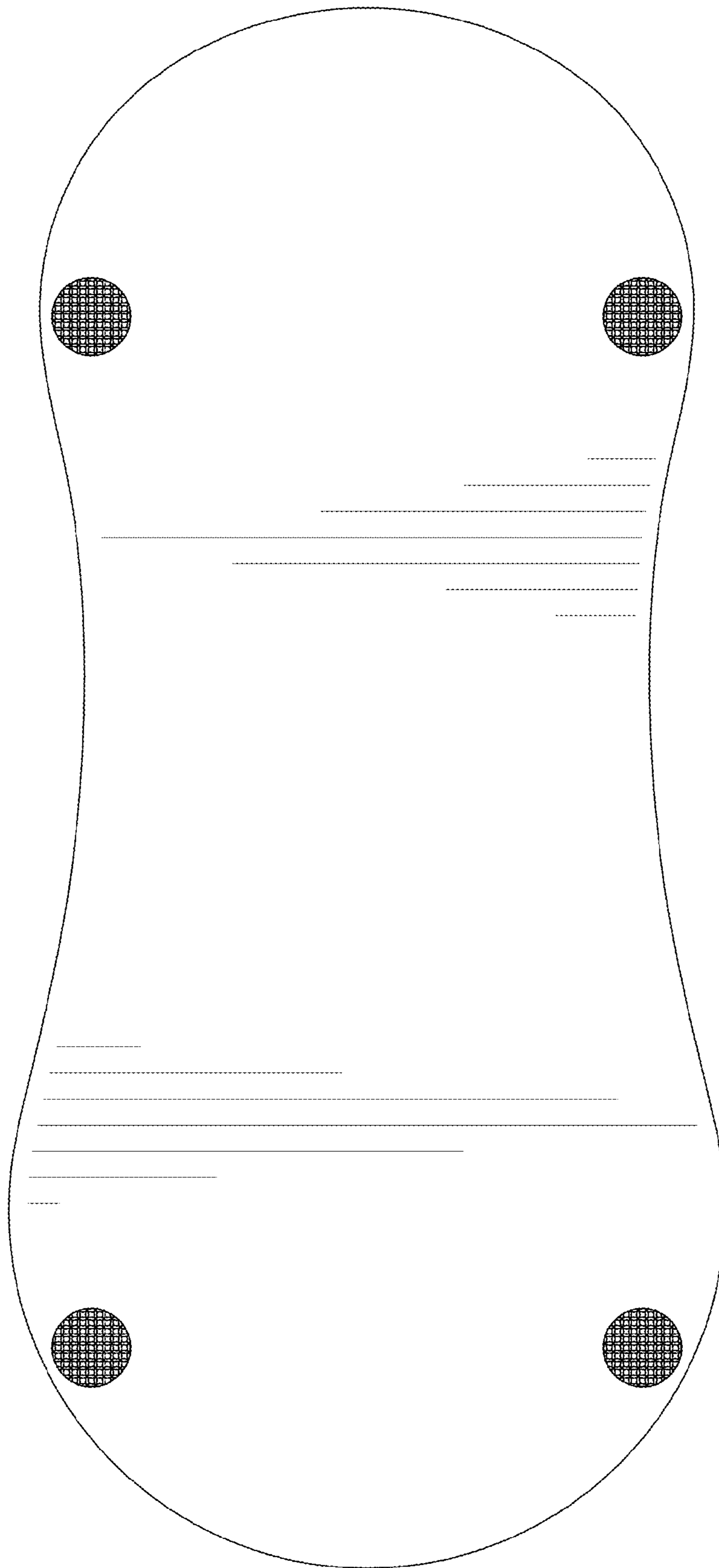


FIG. 8

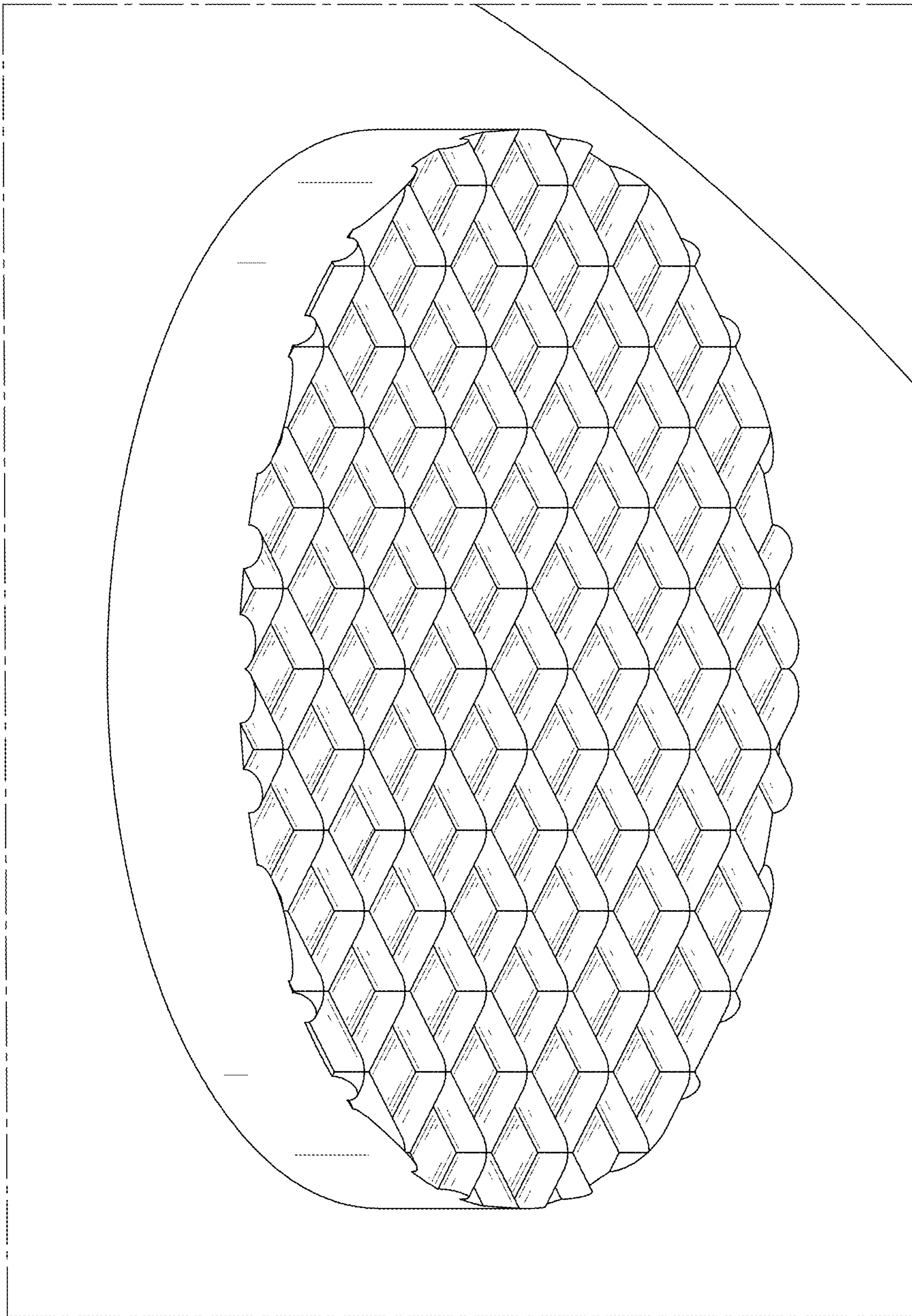


FIG. 9