



US00D989388S

(12) **United States Design Patent** (10) **Patent No.:** **US D989,388 S**  
**Chen** (45) **Date of Patent:** **\*\* Jun. 13, 2023**

(54) **COMBINED CIGAR CASE WITH ASHTRAY**

(71) Applicant: **Yebin Chen**, Guizhou Province (CN)

(72) Inventor: **Yebin Chen**, Guizhou Province (CN)

(\*\*) Term: **15 Years**

(21) Appl. No.: **29/869,456**

(22) Filed: **Dec. 30, 2022**

(51) **LOC (14) Cl.** ..... **27-06**

(52) **U.S. Cl.**  
USPC ..... **D27/187**

(58) **Field of Classification Search**  
USPC ..... D27/187, 102, 108–111, 125, 126, 128,  
D27/135, 172, 180, 183, 186, 194  
CPC .... A24F 19/00; A24F 19/105; A24F 19/0014;  
A24F 19/0028; A24F 19/0035; A24F  
19/0092; A24F 19/0085; A24F 19/12;  
A24F 19/02

See application file for complete search history.

(56) **References Cited**

**U.S. PATENT DOCUMENTS**

D300,672 S *	4/1989	Seymour	.....	D27/102
D402,399 S *	12/1998	Fowler	.....	D27/102
D453,051 S *	1/2002	Hsu	.....	D27/134
D453,052 S *	1/2002	Hsu	.....	D27/135
D506,286 S	6/2005	Fontaine		
D780,992 S *	3/2017	Lozier	.....	D27/125
D785,860 S *	5/2017	Fischer	.....	D27/102
D881,452 S *	4/2020	He	.....	D27/135
D911,598 S *	2/2021	Pischetsrieder	.....	D27/135
D940,383 S *	1/2022	Gomez	.....	D27/134
D946,818 S *	3/2022	Kazandjian	.....	D27/102
D959,732 S *	8/2022	Weng	.....	D27/102
D976,482 S *	1/2023	Calvo Guerrero	.....	D27/183
2010/0126519 A1 *	5/2010	Swift	.....	A24F 19/10 131/241

**OTHER PUBLICATIONS**

Cigar Ashtray By: Mrs. Brog found on Amazon (Jan. 26, 2023)  
[https://www.amazon.com/Cugar-Tray-Built-Cigar-Cutter/dp/B01HMTWMTS/ref=sr\\_1\\_15?crd=2ODTSLSFJ59V2W&keywords=combined+cigar+case+and+ashtray&qid=](https://www.amazon.com/Cugar-Tray-Built-Cigar-Cutter/dp/B01HMTWMTS/ref=sr_1_15?crd=2ODTSLSFJ59V2W&keywords=combined+cigar+case+and+ashtray&qid=) (Sep. 3, 2021).\*

\* cited by examiner

*Primary Examiner* — Rebecca Tsehaye

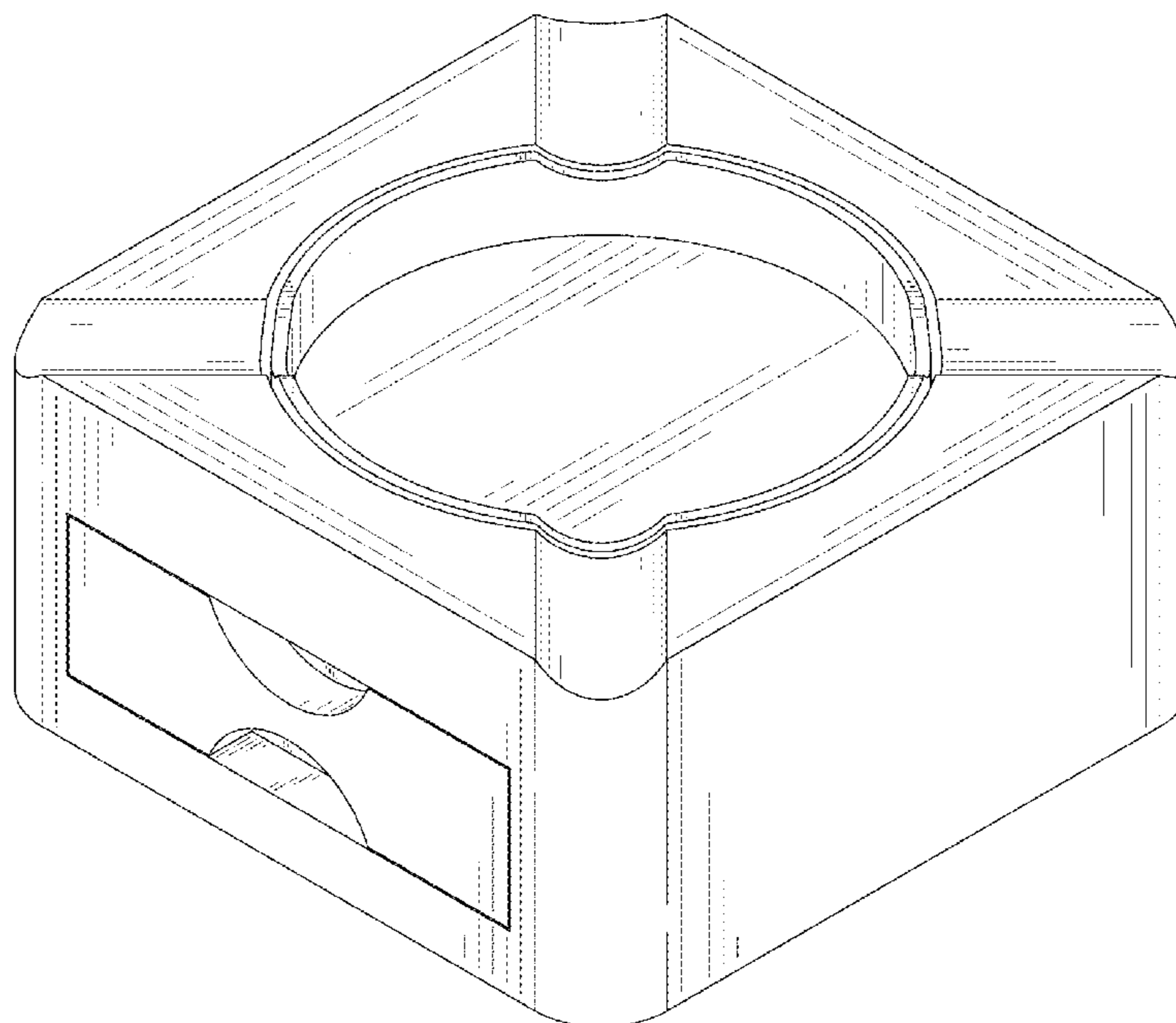
(57) **CLAIM**

The ornamental design for a combined cigar case with ashtray, as shown and described.

**DESCRIPTION**

FIG. 1 is a front and top perspective view of a combined cigar case with ashtray, showing my new design; FIG. 2 is a rear and bottom perspective view thereof; FIG. 3 is a front elevation view thereof; FIG. 4 is a rear elevation view thereof; FIG. 5 is a left side elevation view thereof; FIG. 6 is a right side elevation view thereof; FIG. 7 is a top plan view thereof; FIG. 8 is a bottom plan view thereof; FIG. 9 is another perspective view thereof, shown in an alternative position; and, FIG. 10 is an enlarged perspective view of detail “10” identified in FIG. 2. The dashed lines in the figures illustrate portions of the combined cigar case with ashtray that form no part of the claimed design. The dash dot dash lines in FIGS. 2 and 10 are for the purpose of illustrating the enlarged view indicators and form no part of the claimed design.

**1 Claim, 10 Drawing Sheets**



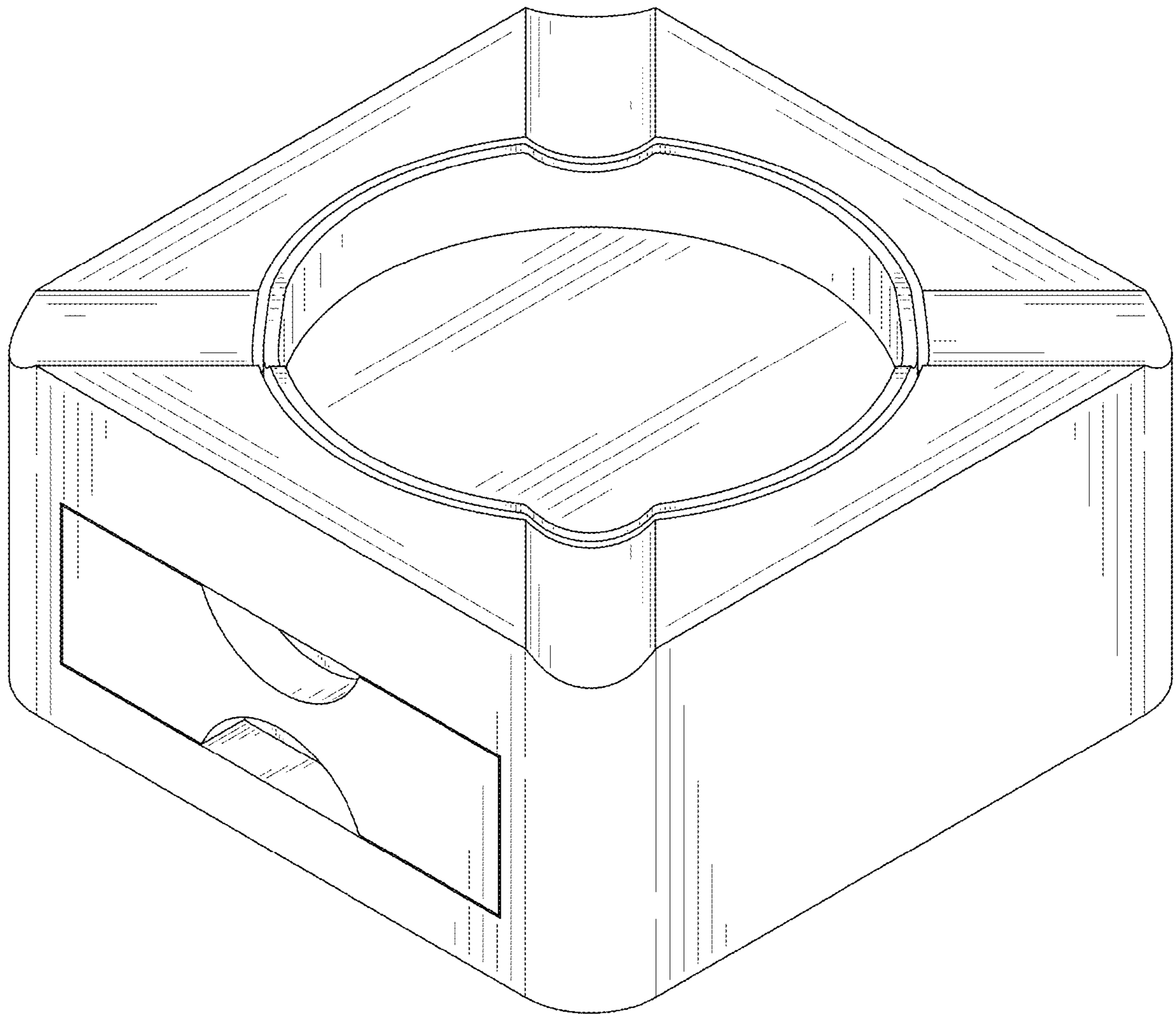


FIG. 1

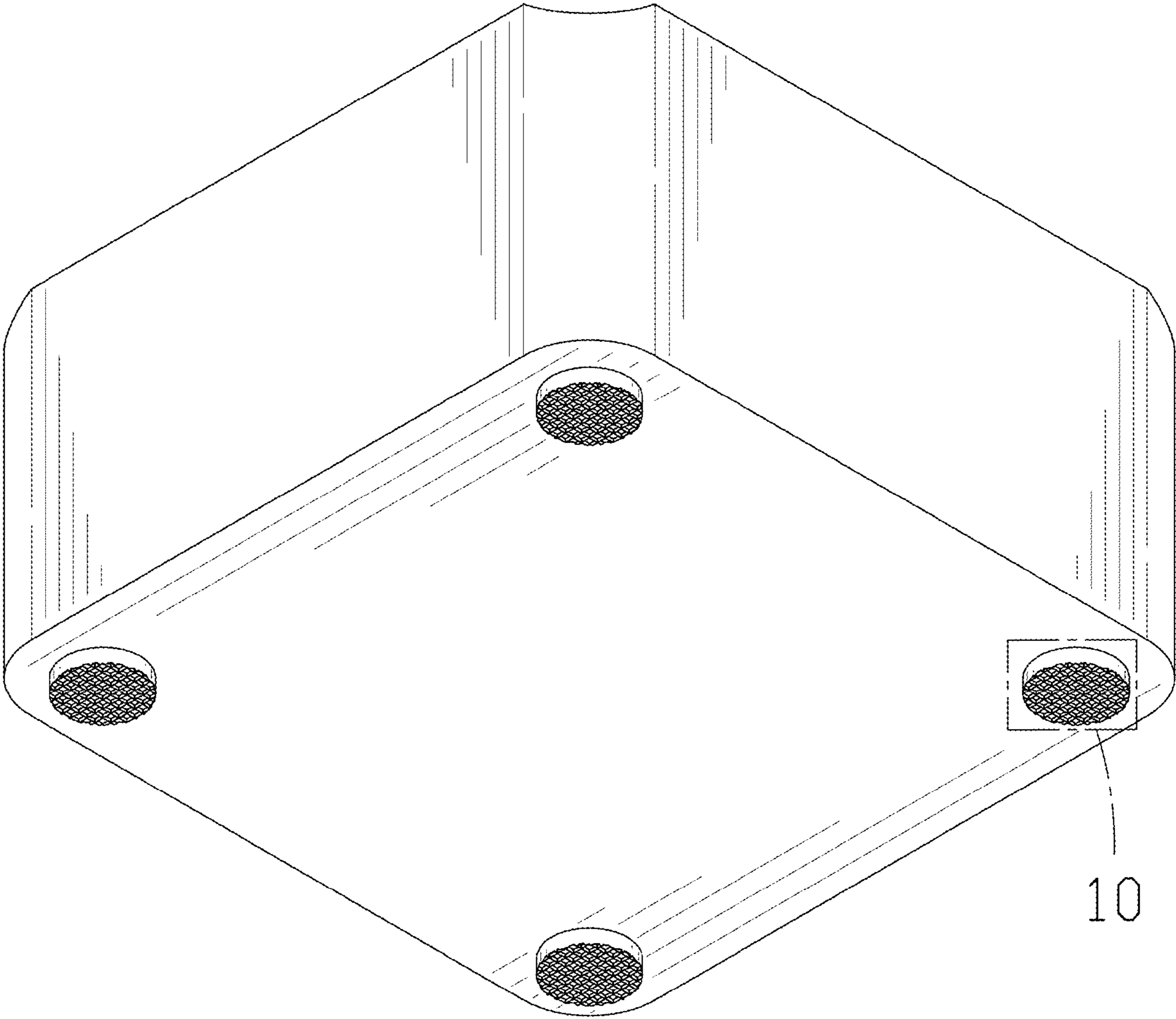


FIG. 2

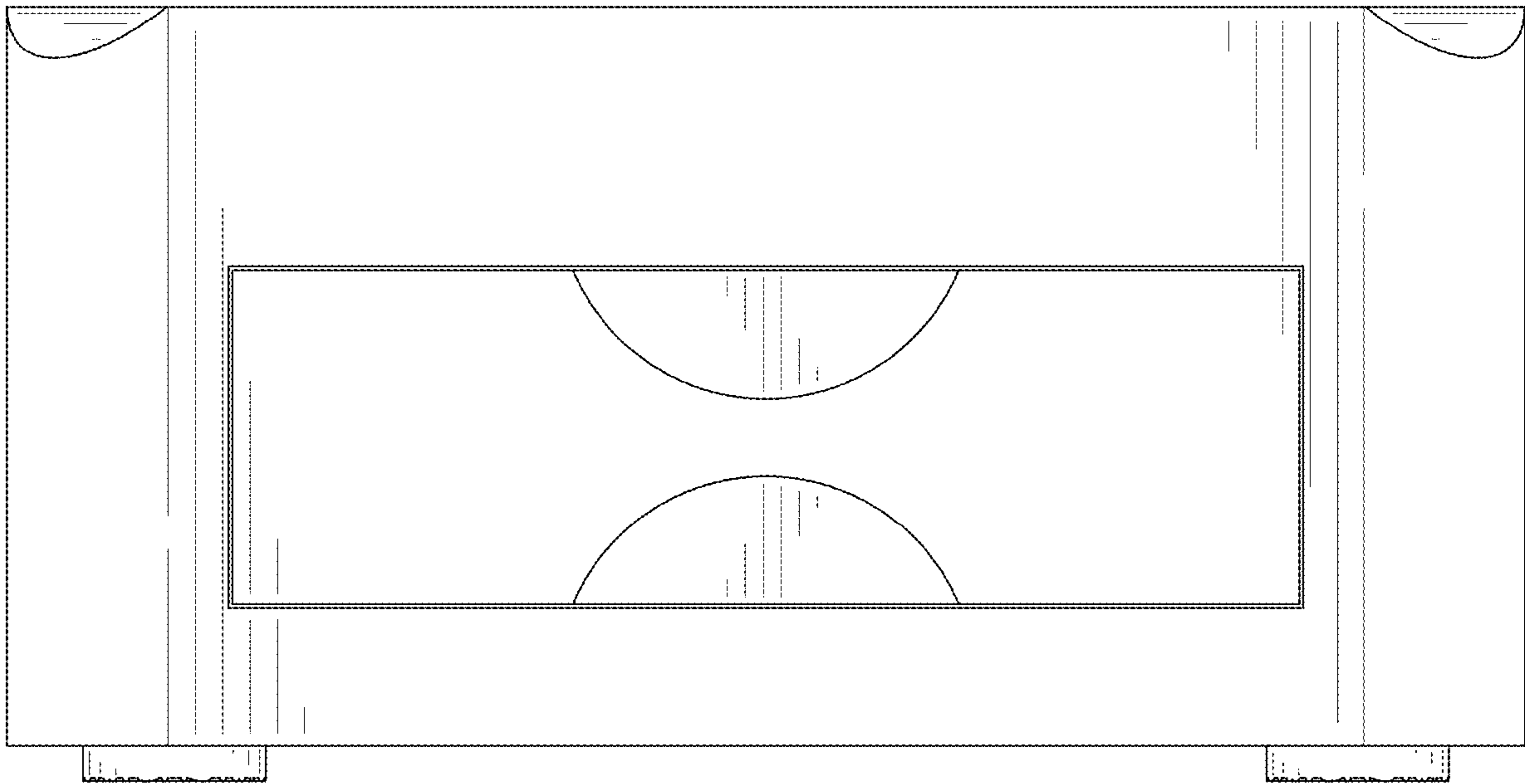


FIG. 3

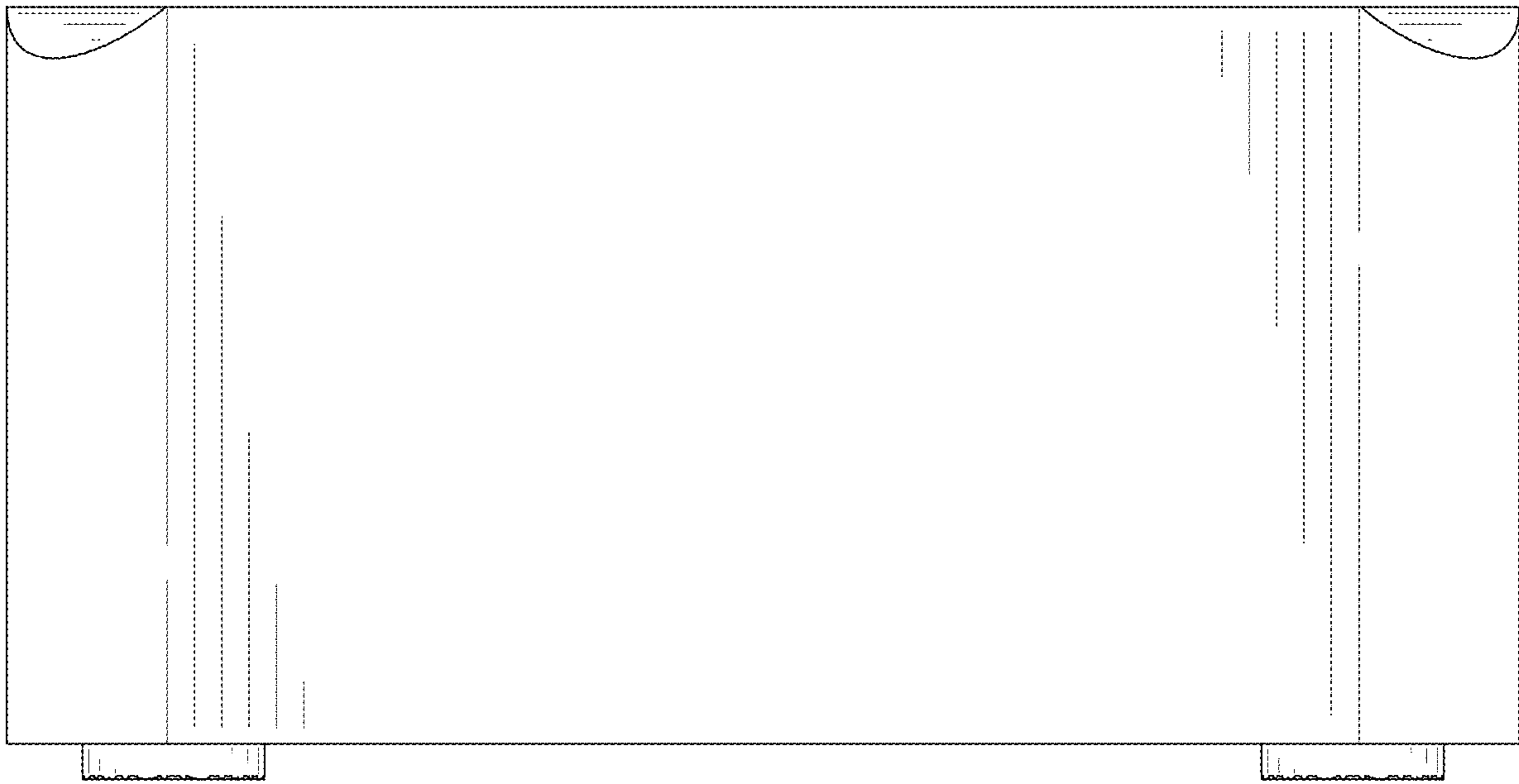


FIG. 4

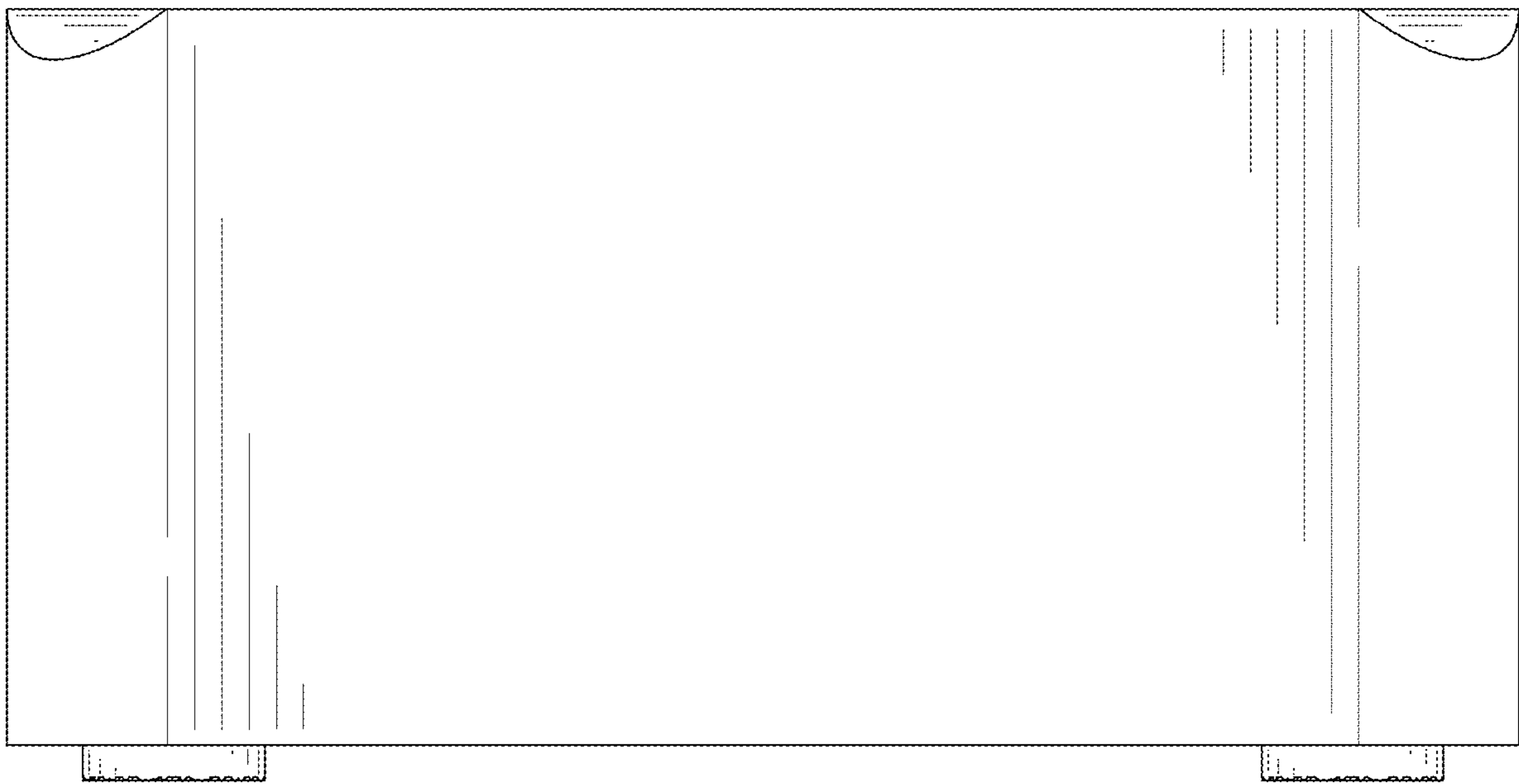


FIG. 5

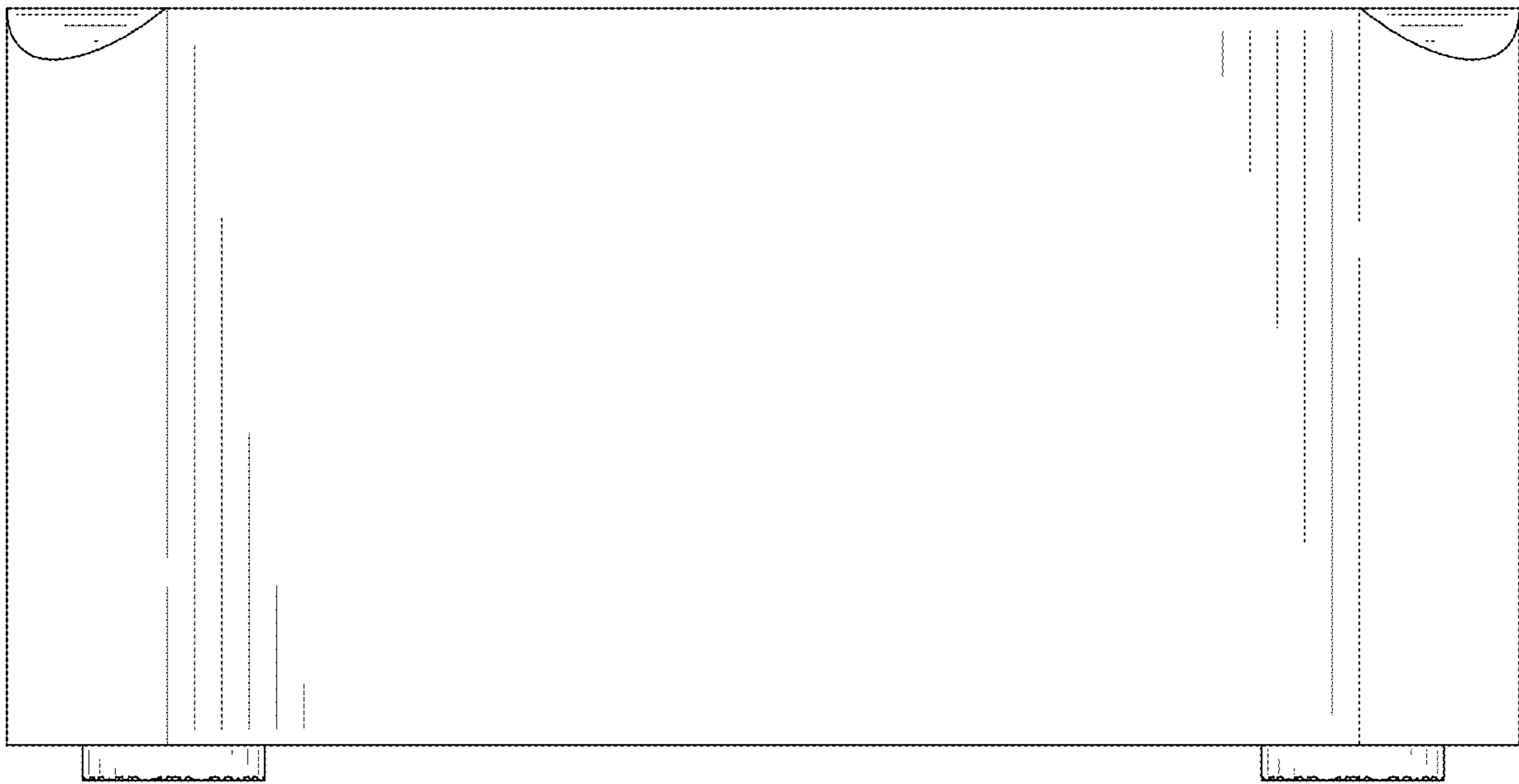


FIG. 6

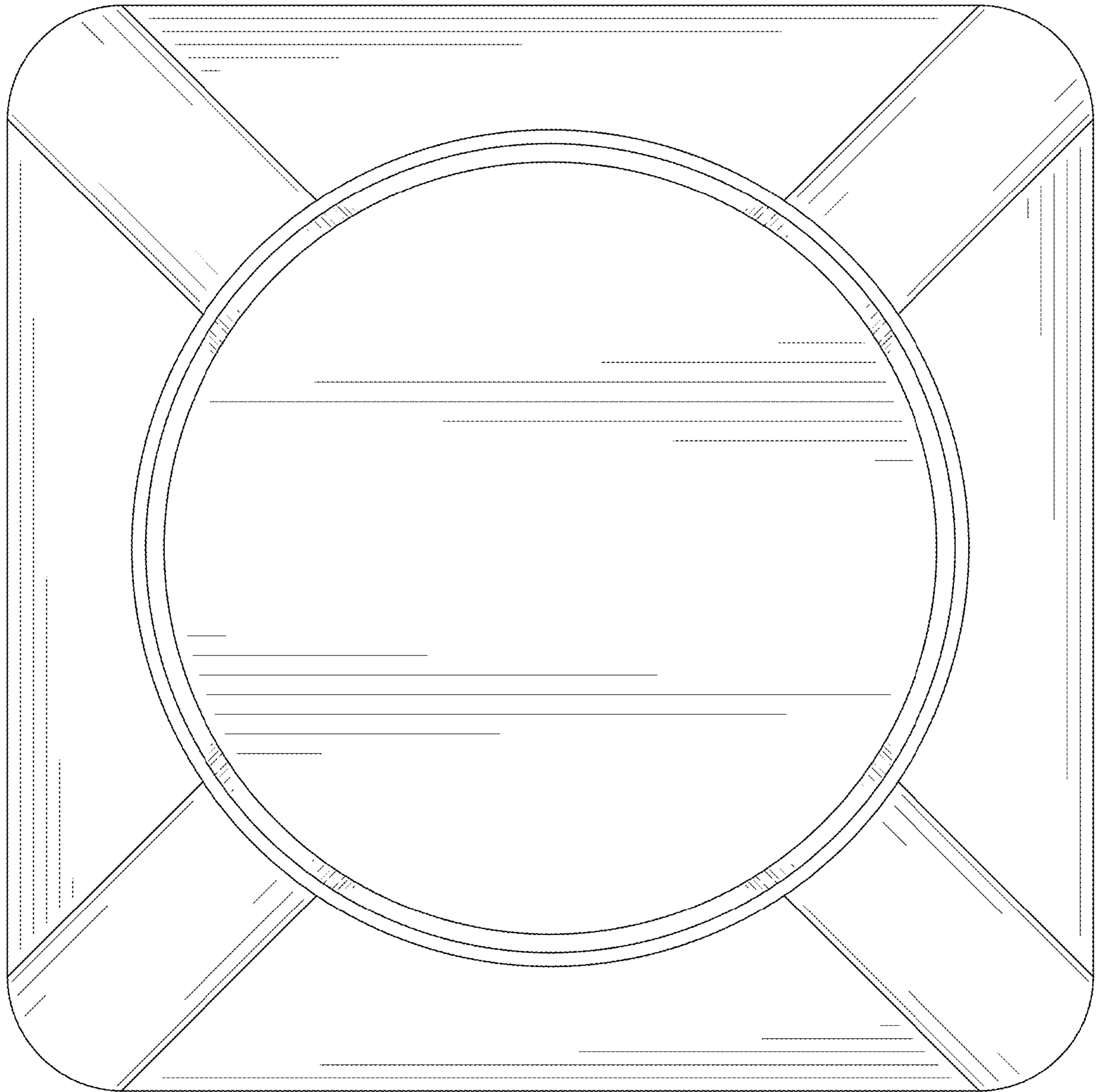


FIG. 7



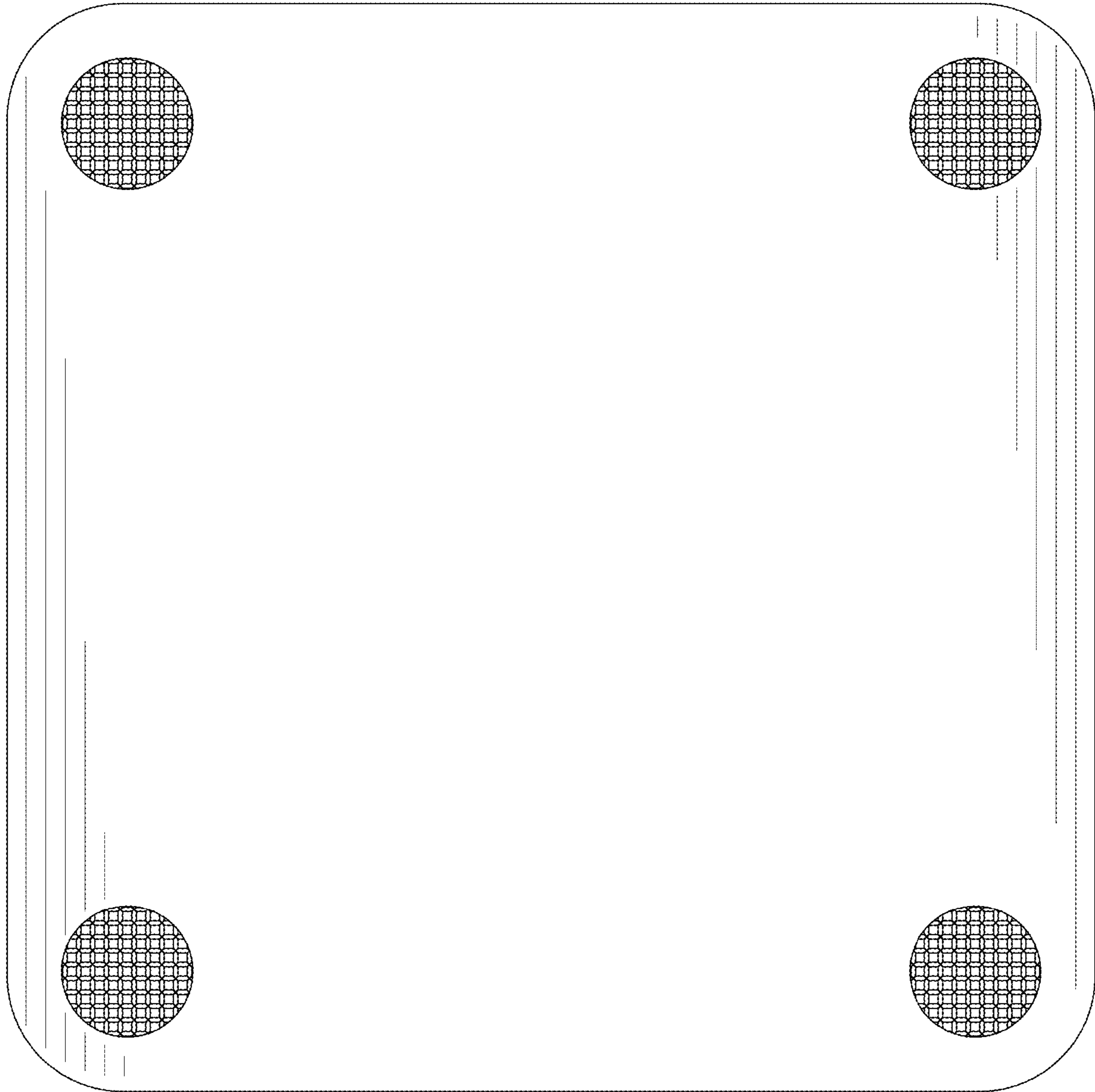


FIG. 8

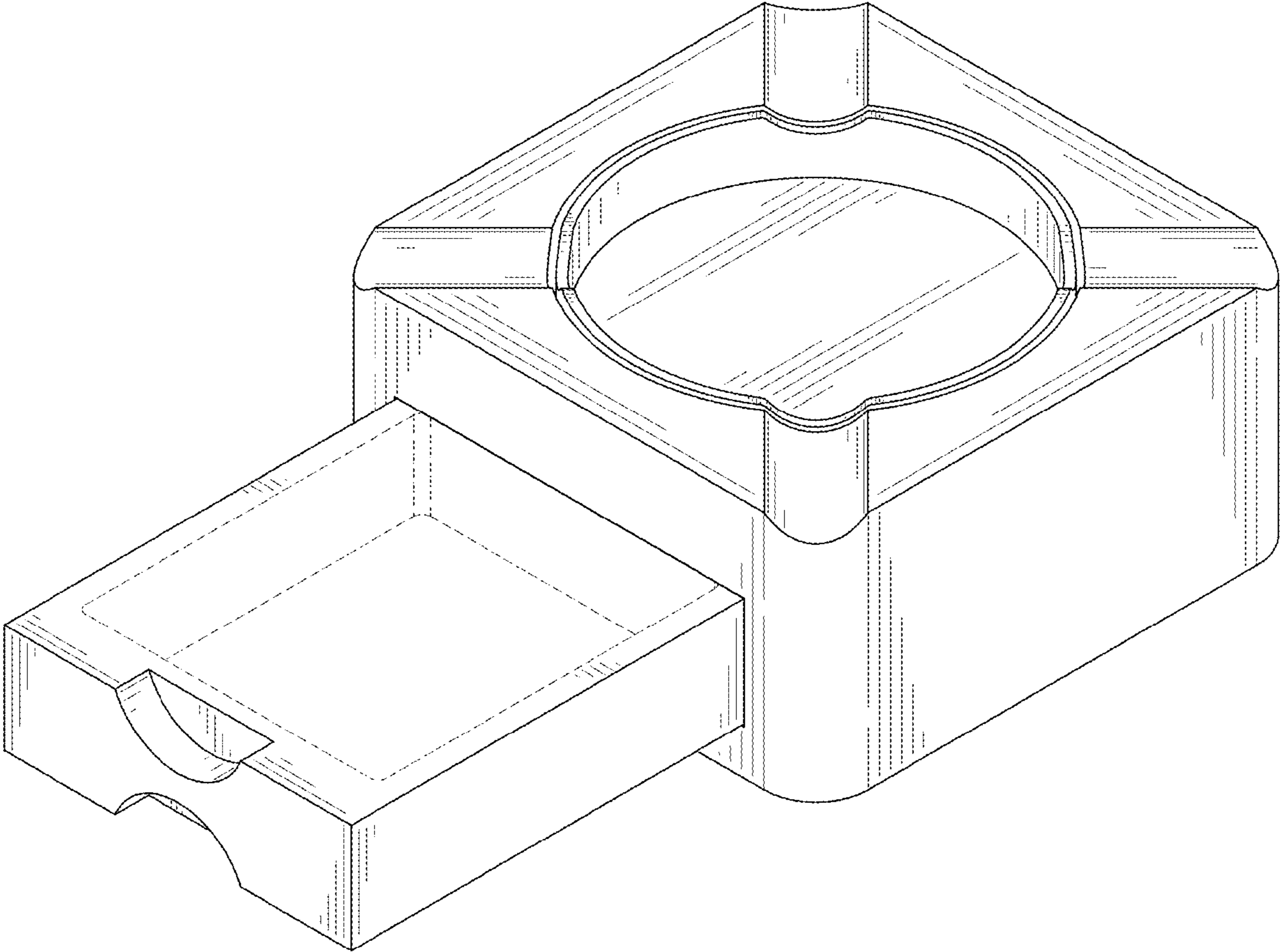


FIG. 9

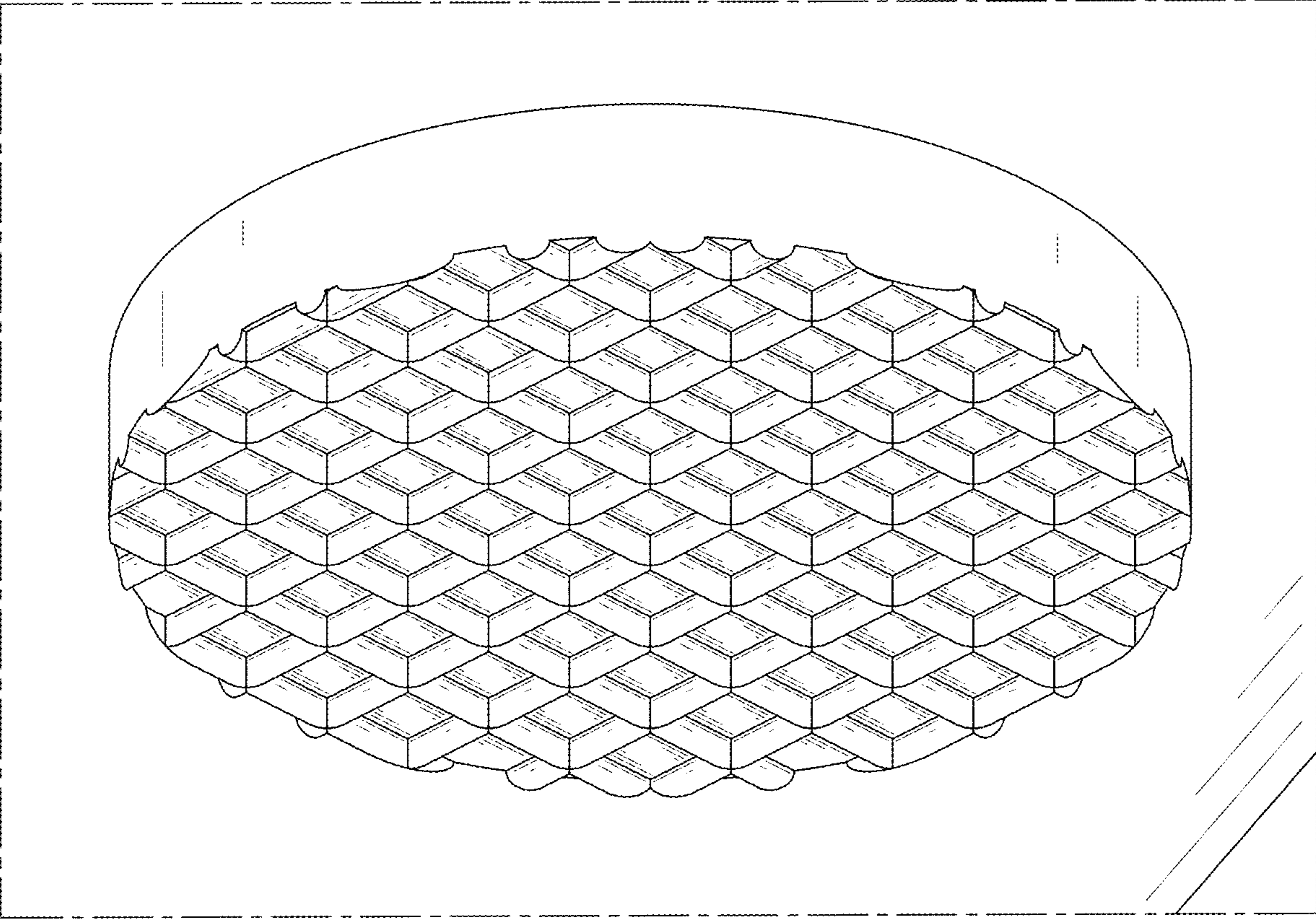


FIG. 10