



US00D989387S

(12) **United States Design Patent** (10) **Patent No.:** **US D989,387 S**
Chen (45) **Date of Patent:** **** Jun. 13, 2023**

(54) **COMBINED CIGAR CASE WITH ASHTRAY**

D959,732 S * 8/2022 Weng D27/102
D976,482 S * 1/2023 Calvo Guerrero D27/183
2010/0126519 A1* 5/2010 Swift A24F 19/10
131/241

(71) Applicant: **Yebin Chen**, Guizhou Province (CN)

(72) Inventor: **Yebin Chen**, Guizhou Province (CN)

(**) Term: **15 Years**

(21) Appl. No.: **29/869,455**

(22) Filed: **Dec. 30, 2022**

(51) **LOC (14) Cl.** **27-06**

(52) **U.S. Cl.**
USPC **D27/187**

(58) **Field of Classification Search**
USPC D27/187, 102, 108–111, 125, 126, 128,
D27/135, 172, 180, 183, 186, 194
CPC A24F 19/00; A24F 19/105; A24F 19/0014;
A24F 19/0028; A24F 19/0035; A24F
19/0092; A24F 19/0085; A24F 19/12;
A24F 19/02

See application file for complete search history.

(56) **References Cited**

U.S. PATENT DOCUMENTS

D300,672 S * 4/1989 Seymour D27/102
D402,399 S * 12/1998 Fowler D27/102
D453,051 S * 1/2002 Hsu D27/134
D453,052 S * 1/2002 Hsu D27/135
D506,286 S 6/2005 Fontaine
D780,992 S * 3/2017 Lozier D27/125
D785,860 S * 5/2017 Fischer D27/102
D881,452 S * 4/2020 He D27/135
D911,598 S * 2/2021 Pischetsrieder D27/135
D940,383 S * 1/2022 Gomez D27/134
D946,818 S * 3/2022 Kazandjian D27/102

OTHER PUBLICATIONS

Cigar Ashtray By: Mrs. Brog found on Amazon (Jan. 26, 2023)
https://www.amazon.com/Cugar-Tray-Built-Cigar-Cutter/dp/B01HMTWMTS/ref=sr_1_15?crd=2ODTLSEFJ59V2W&keywords=combined+cigar+case+and+ashtray&qid= (Sep. 3, 2021).*

* cited by examiner

Primary Examiner — Rebecca Tsehaye

(57) **CLAIM**

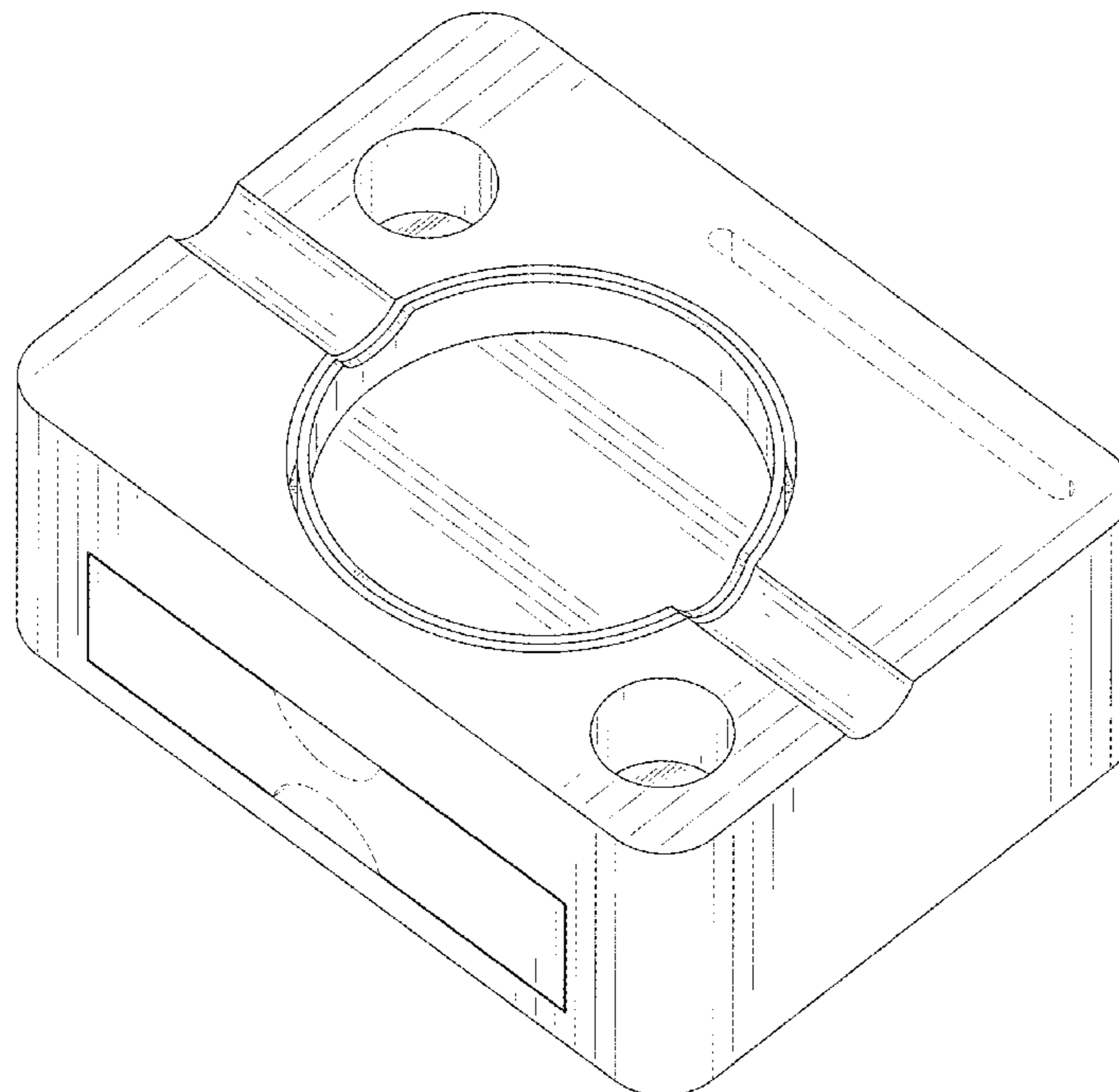
The ornamental design for a combined cigar case with ashtray, as shown and described.

DESCRIPTION

FIG. 1 is a front and top perspective view of a combined cigar case with ashtray, showing my new design; FIG. 2 is a rear and bottom perspective view thereof; FIG. 3 is a front elevation view thereof; FIG. 4 is a rear elevation view thereof; FIG. 5 is a left side elevation view thereof; FIG. 6 is a right side elevation view thereof; FIG. 7 is a top plan view thereof; FIG. 8 is a bottom plan view thereof; and, FIG. 9 is an enlarged perspective view of detail “9” identified in FIG. 2.

The dashed lines in the figures illustrate portions of the combined cigar case with ashtray that form no part of the claimed design. The dash dot dash lines in FIGS. 2 and 9 are for the purpose of illustrating the enlarged view indicators and form no part of the claimed design.

1 Claim, 9 Drawing Sheets



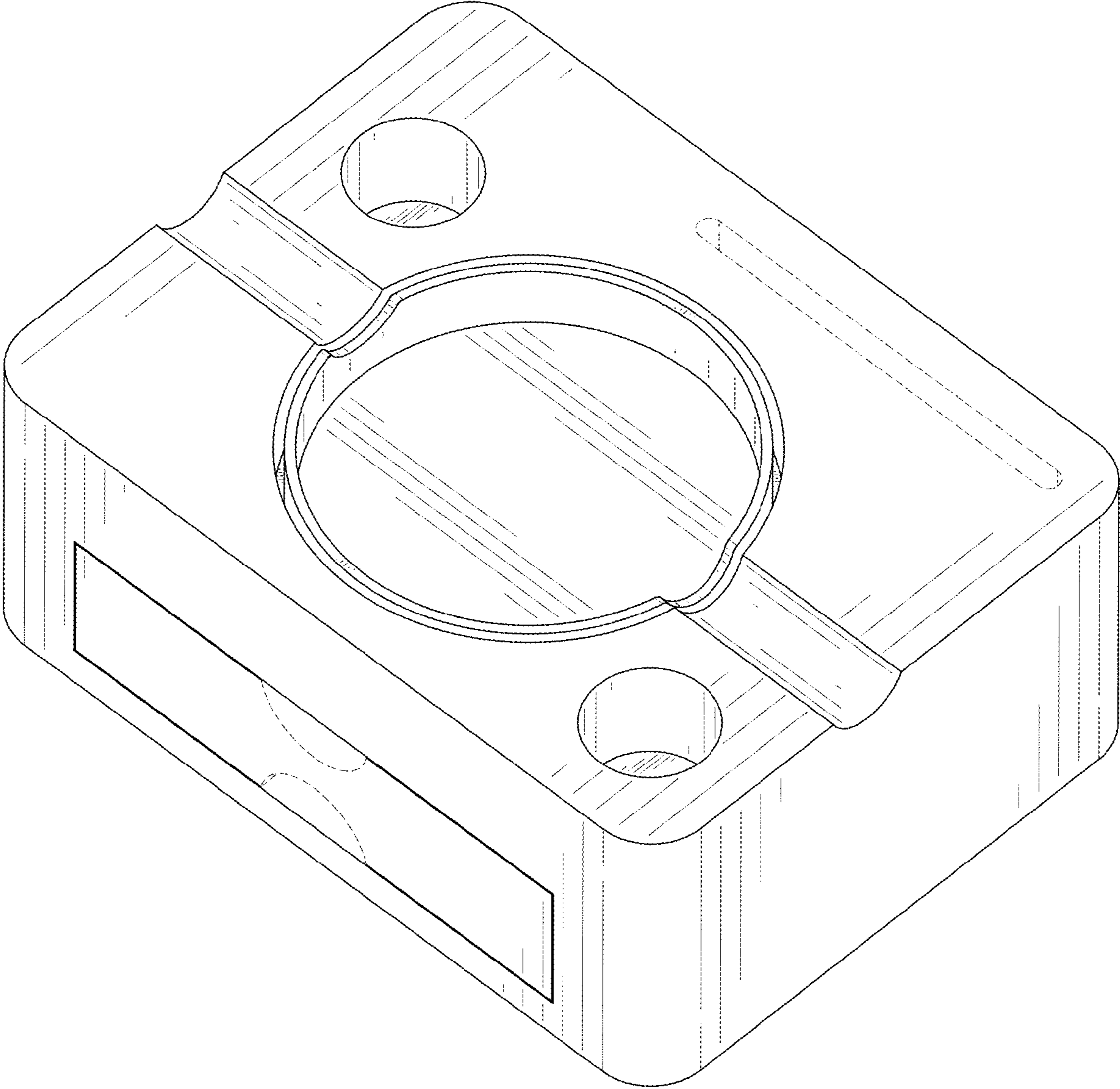


FIG. 1

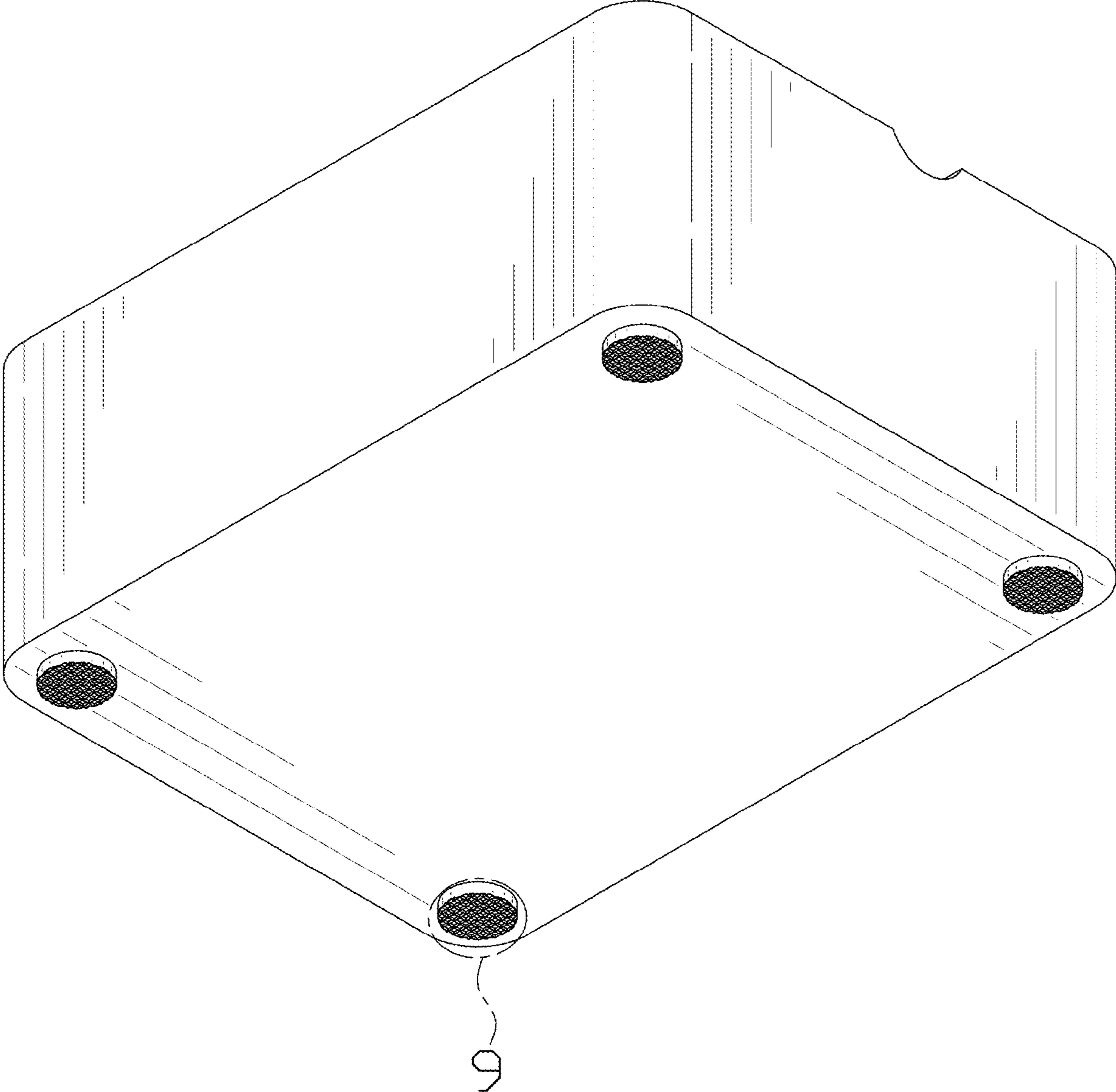


FIG. 2

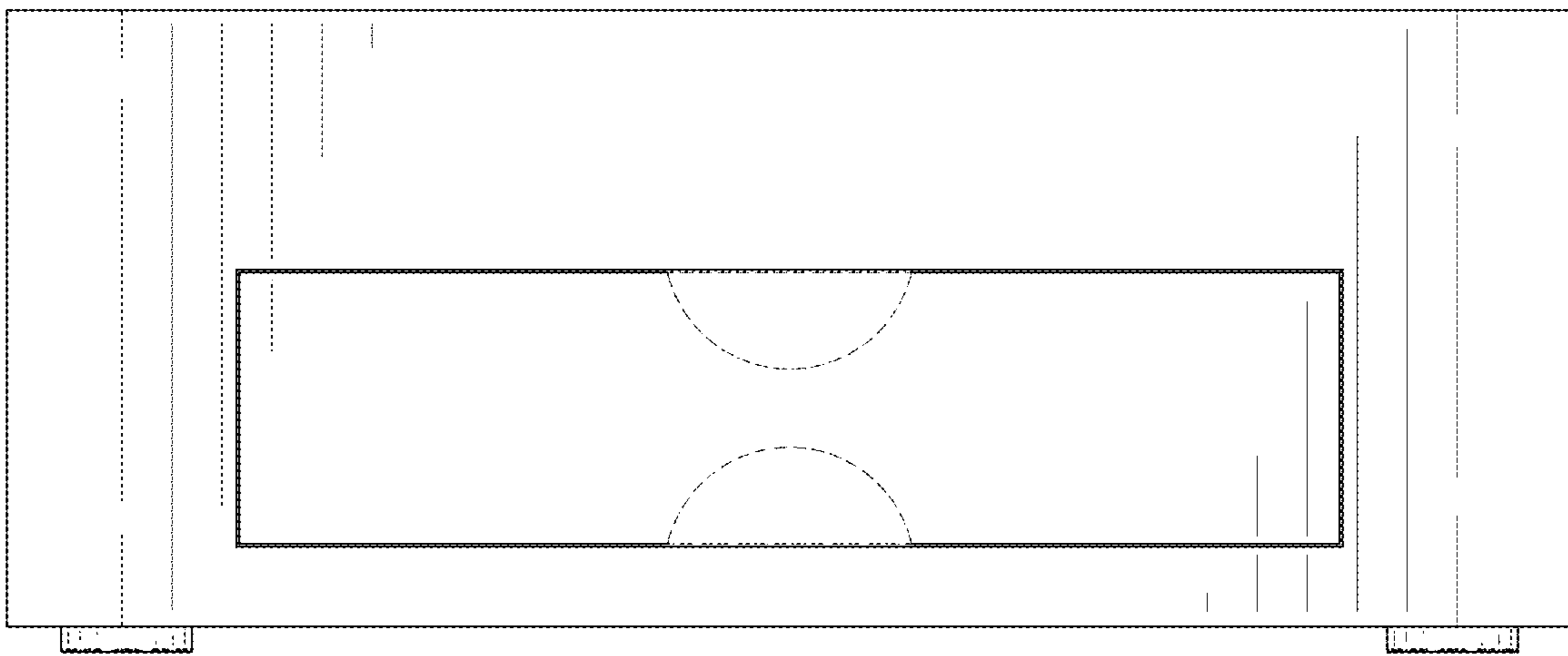


FIG. 3

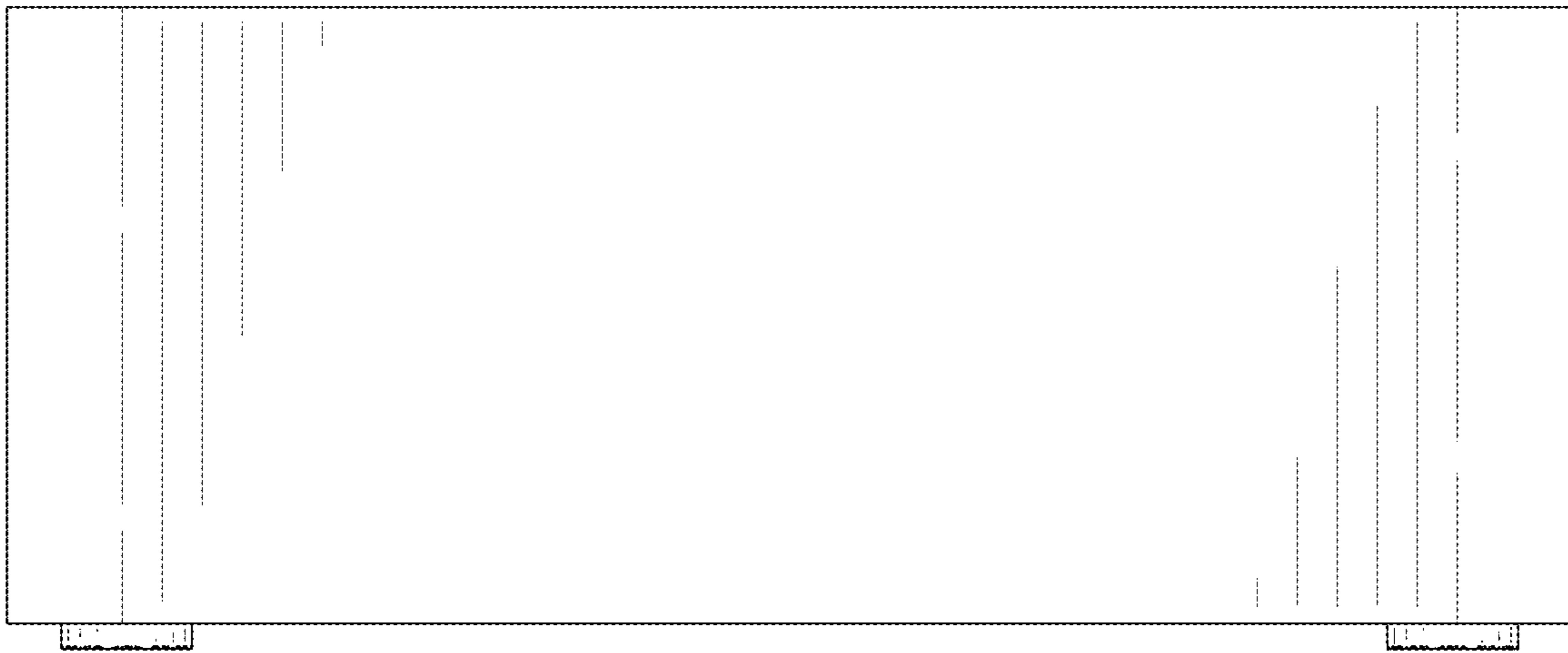


FIG. 4

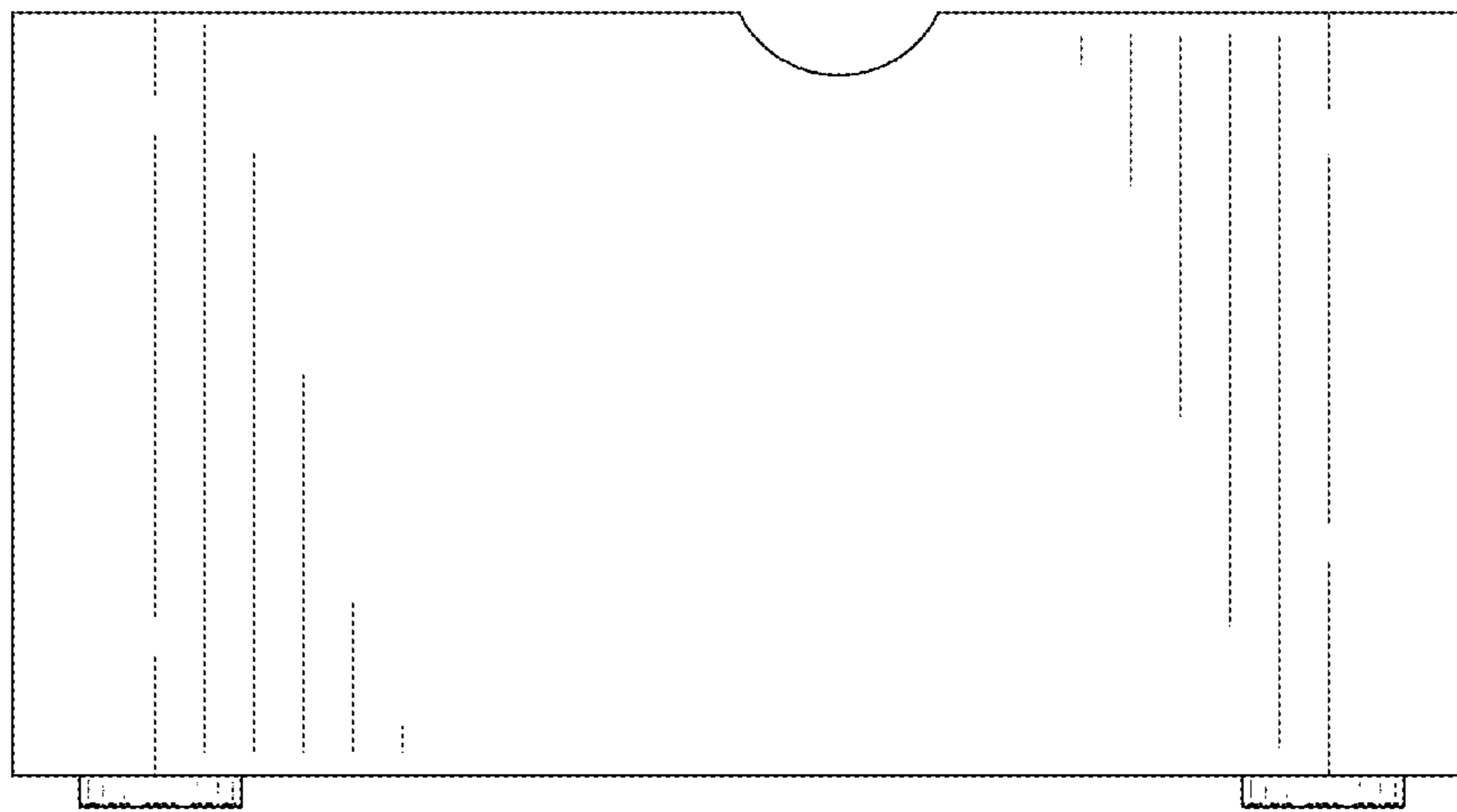


FIG. 5

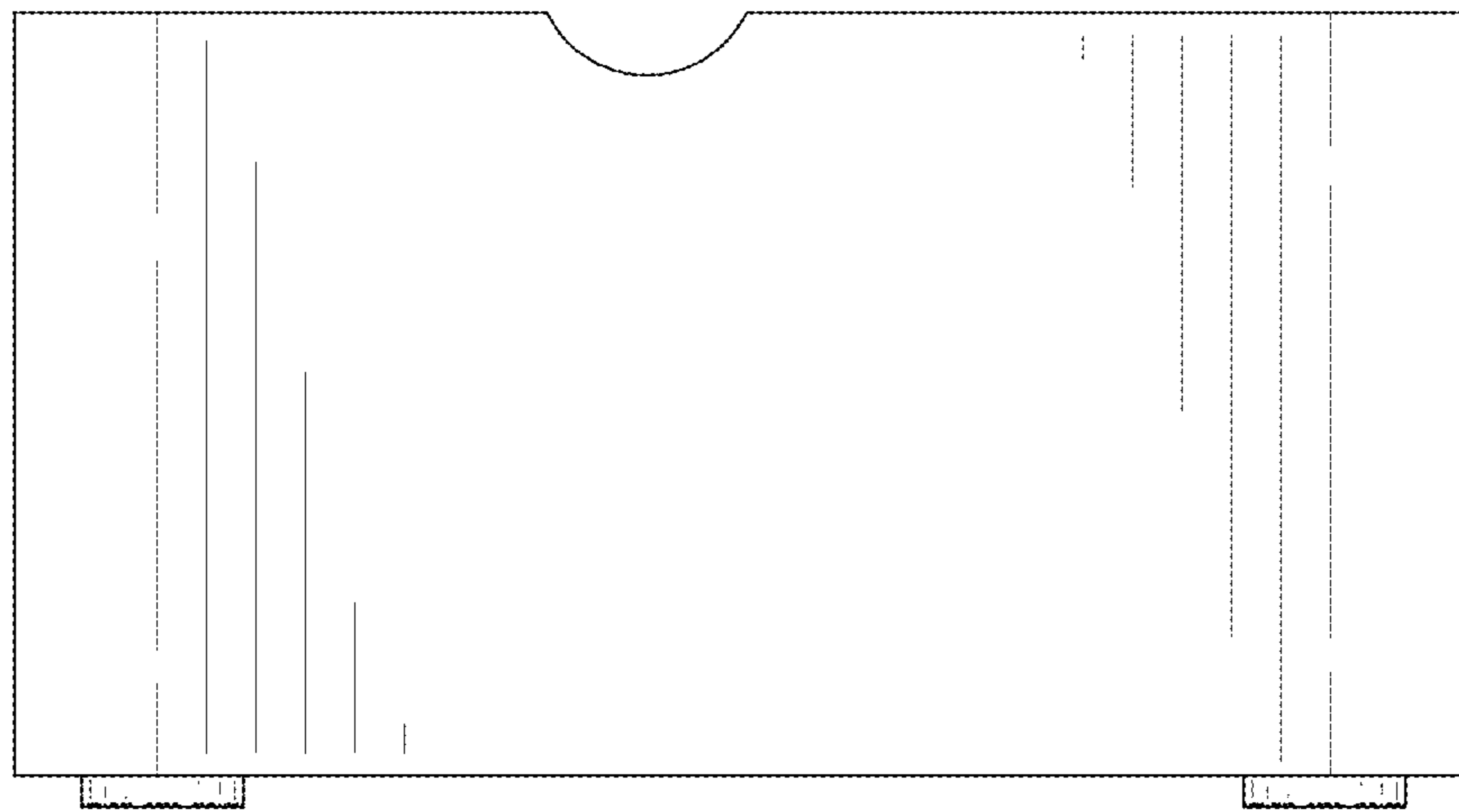


FIG. 6

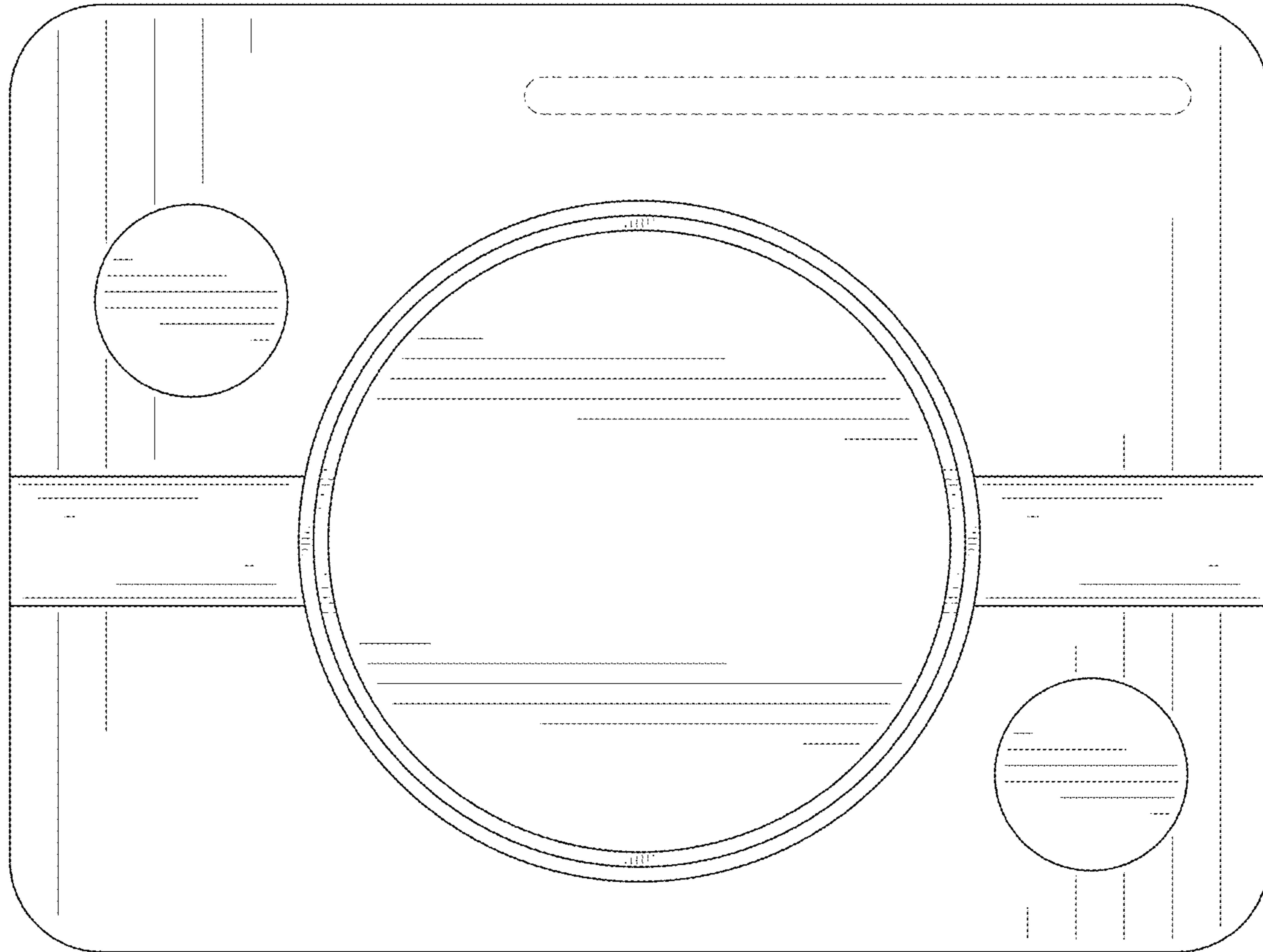


FIG. 7



FIG. 8

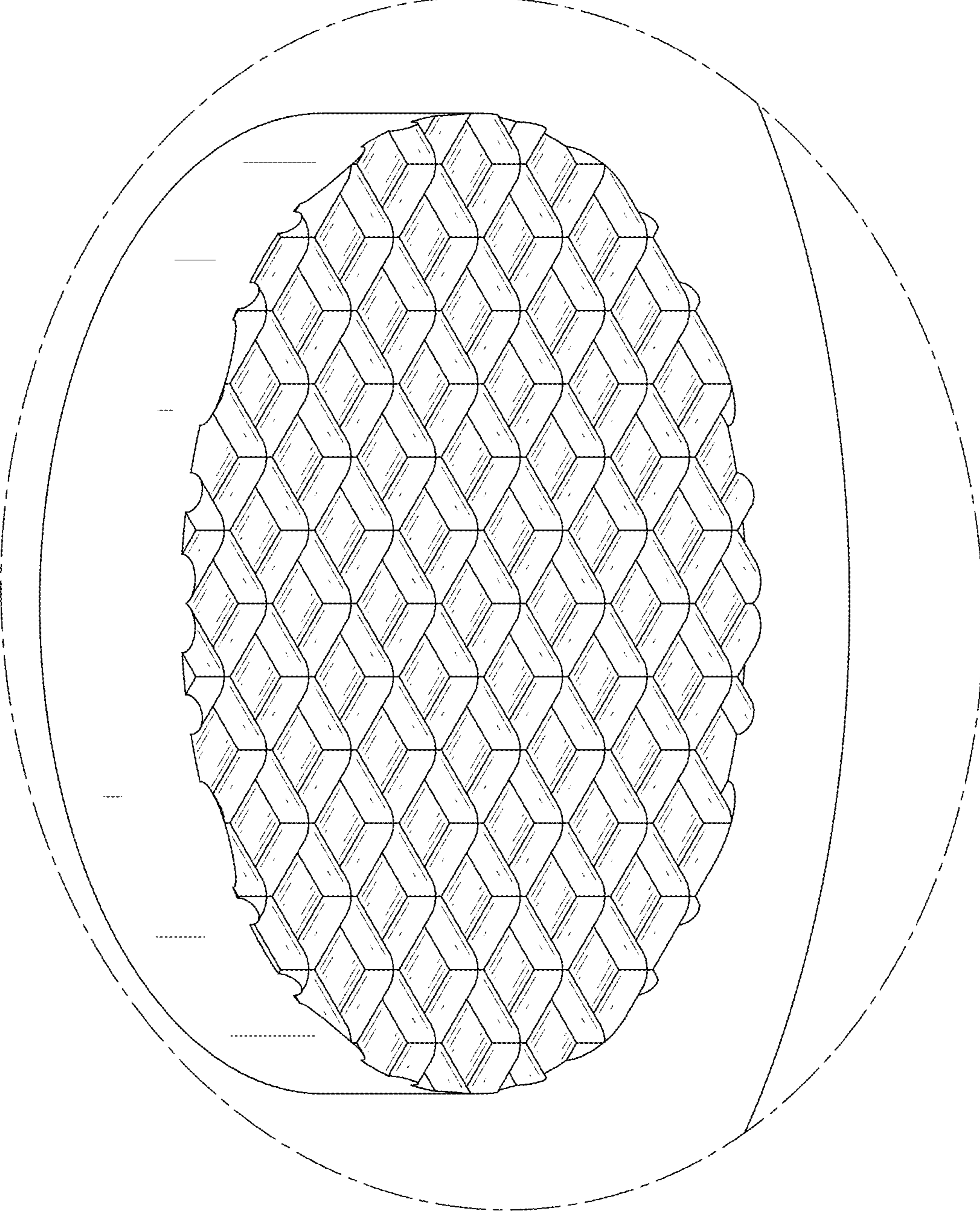


FIG. 9