



US00D989386S

(12) **United States Design Patent** (10) **Patent No.:** **US D989,386 S**
Liu (45) **Date of Patent:** **** Jun. 13, 2023**

(54) **ATOMIZER FOR AN ELECTRONIC CIGARETTE**

(71) Applicant: **Shenzhen Eigate Technology Co., Ltd.**, Shenzhen (CN)

(72) Inventor: **Tuanfang Liu**, Shenzhen (CN)

(73) Assignee: **ASPIRE NORTH AMERICA LLC**

(**) Term: **15 Years**

D898,993 S *	10/2020	Li	D27/167
D920,571 S *	5/2021	Jones	D27/162
D927,773 S *	8/2021	Jones	D27/162
D929,647 S *	8/2021	Liu	D27/162
D932,096 S *	9/2021	Liu	D27/162
D933,288 S *	10/2021	Liu	D27/162
D943,816 S *	2/2022	Liu	D27/162
D948,778 S *	4/2022	Liu	D27/162
D948,780 S *	4/2022	Liu	D27/162
D958,449 S *	7/2022	Yuan	D27/162
D958,451 S *	7/2022	Li	D27/162
D960,441 S *	8/2022	Liu	D27/162
D961,839 S *	8/2022	Liu	D27/162

(21) Appl. No.: **29/787,050**

(22) Filed: **Jun. 3, 2021**

(30) **Foreign Application Priority Data**

Dec. 4, 2020 (CN) 202030746358.5

(51) **LOC (14) Cl.** **27-02**

(52) **U.S. Cl.**
USPC **D27/167**

(58) **Field of Classification Search**
USPC D27/162, 100, 101, 163–170, 172,
D27/174–176, 183, 185–194; D24/110,
D24/110.5; D13/103, 107; D23/360,
D23/363, 366

CPC A24F 40/40; A24F 40/42; A24F 40/44;
A24F 40/00; A24F 40/10; A24F 40/20;
A24F 15/015; A24F 15/00; A24F 15/02;
A24F 15/12; A61M 15/00; A61M 15/06

See application file for complete search history.

(56) **References Cited**

U.S. PATENT DOCUMENTS

D811,652 S *	2/2018	Liu	D27/167
D817,544 S *	5/2018	Chen	D27/167
D823,534 S *	7/2018	Chen	D27/162
D867,657 S *	11/2019	Fornarelli	D27/194
D877,975 S *	3/2020	Crowe	D27/162

OTHER PUBLICATIONS

Convertible Rechargeable Plug-in Handle By: Welch Allyn (Oct. 4, 2022) https://www.amazon.com/Welch-Allyn-71000-Direct-Rechargeable/dp/B014SNFBHQ/ref=asc_df_B014SNFBHQ/?tag=hyprod-20&linkCode= (Apr. 14, 2007).*

* cited by examiner

Primary Examiner — Rebecca Tsehaye
(74) *Attorney, Agent, or Firm* — Matthias Scholl P.C.;
Matthias Scholl

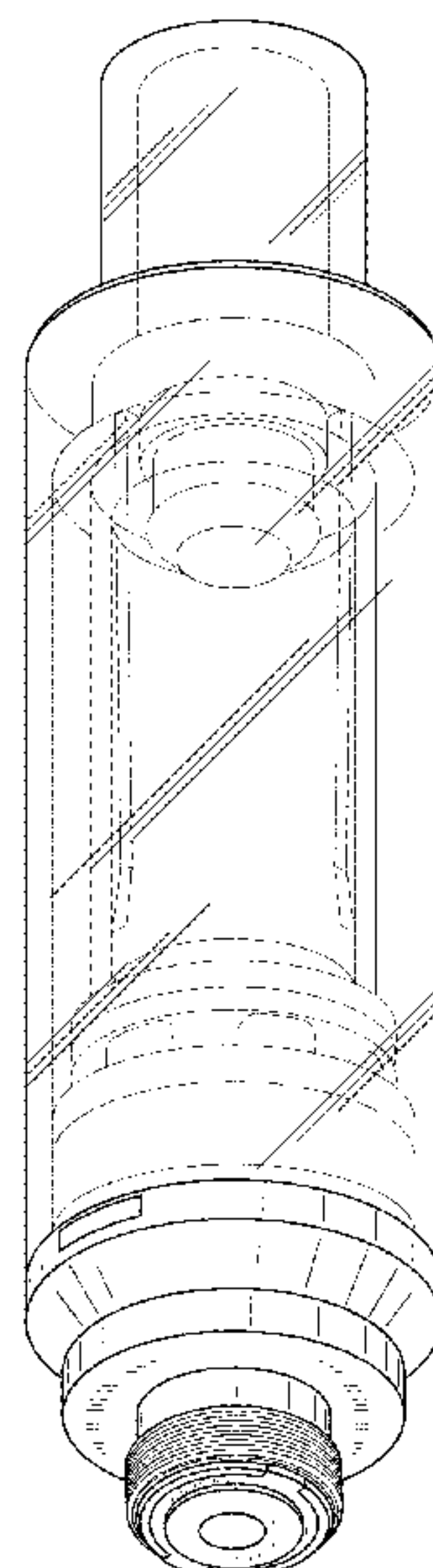
(57) **CLAIM**

The ornamental design for an atomizer for an electronic cigarette, as shown and described.

DESCRIPTION

FIG. 1 is a front elevation view of an atomizer for an electronic cigarette, showing my new design;
FIG. 2 is a rear elevation view thereof;
FIG. 3 is a left-side elevation view thereof;
FIG. 4 is a right-side elevation view thereof;
FIG. 5 is a top plan view thereof;
FIG. 6 is a bottom plan view thereof; and,
FIG. 7 is a perspective view thereof.

1 Claim, 7 Drawing Sheets



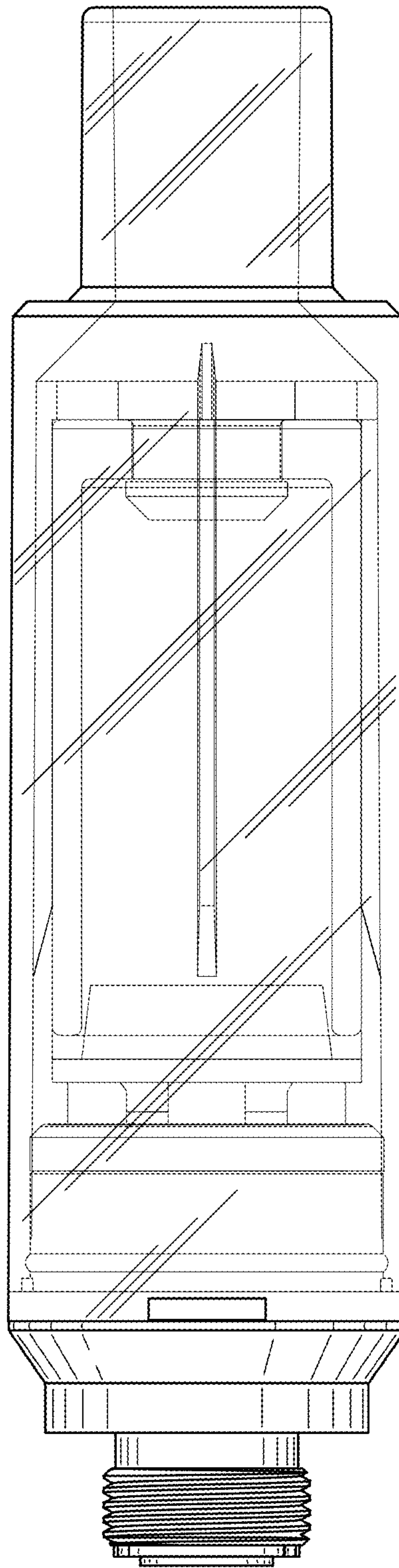


FIG. 1

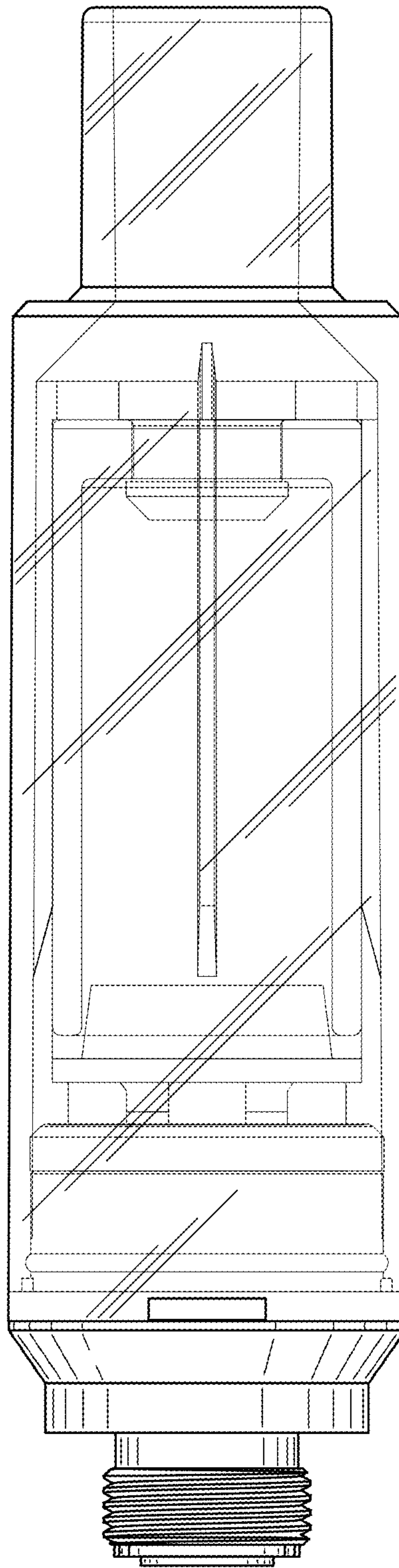


FIG. 2

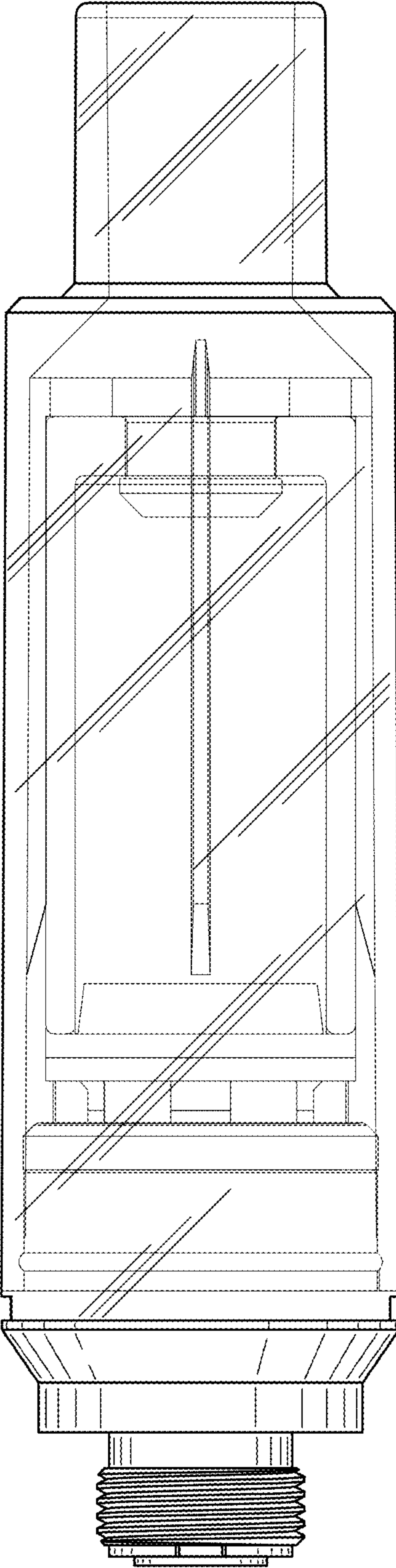


FIG. 3

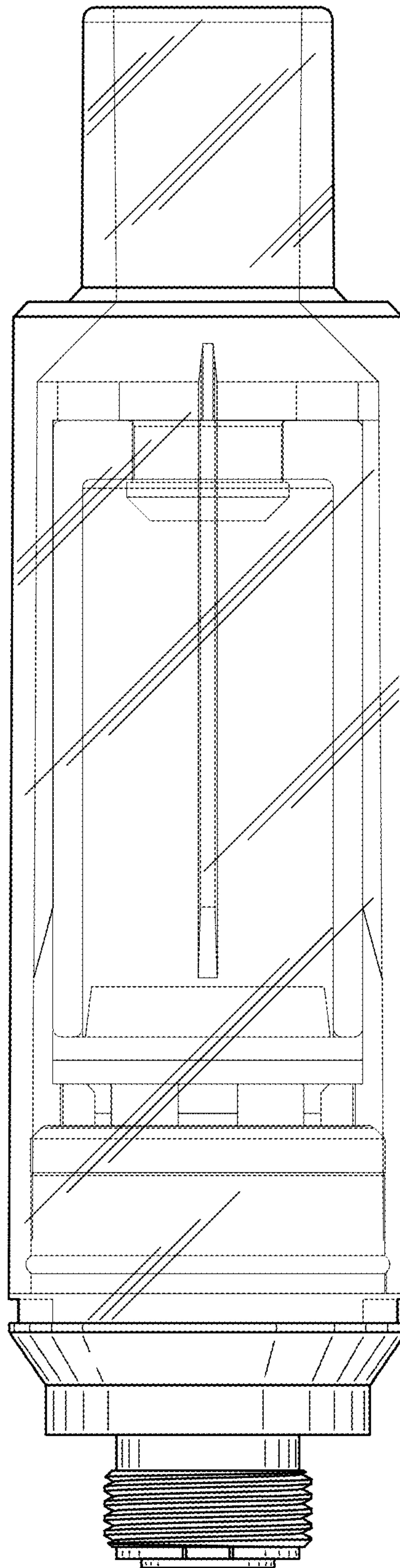


FIG. 4

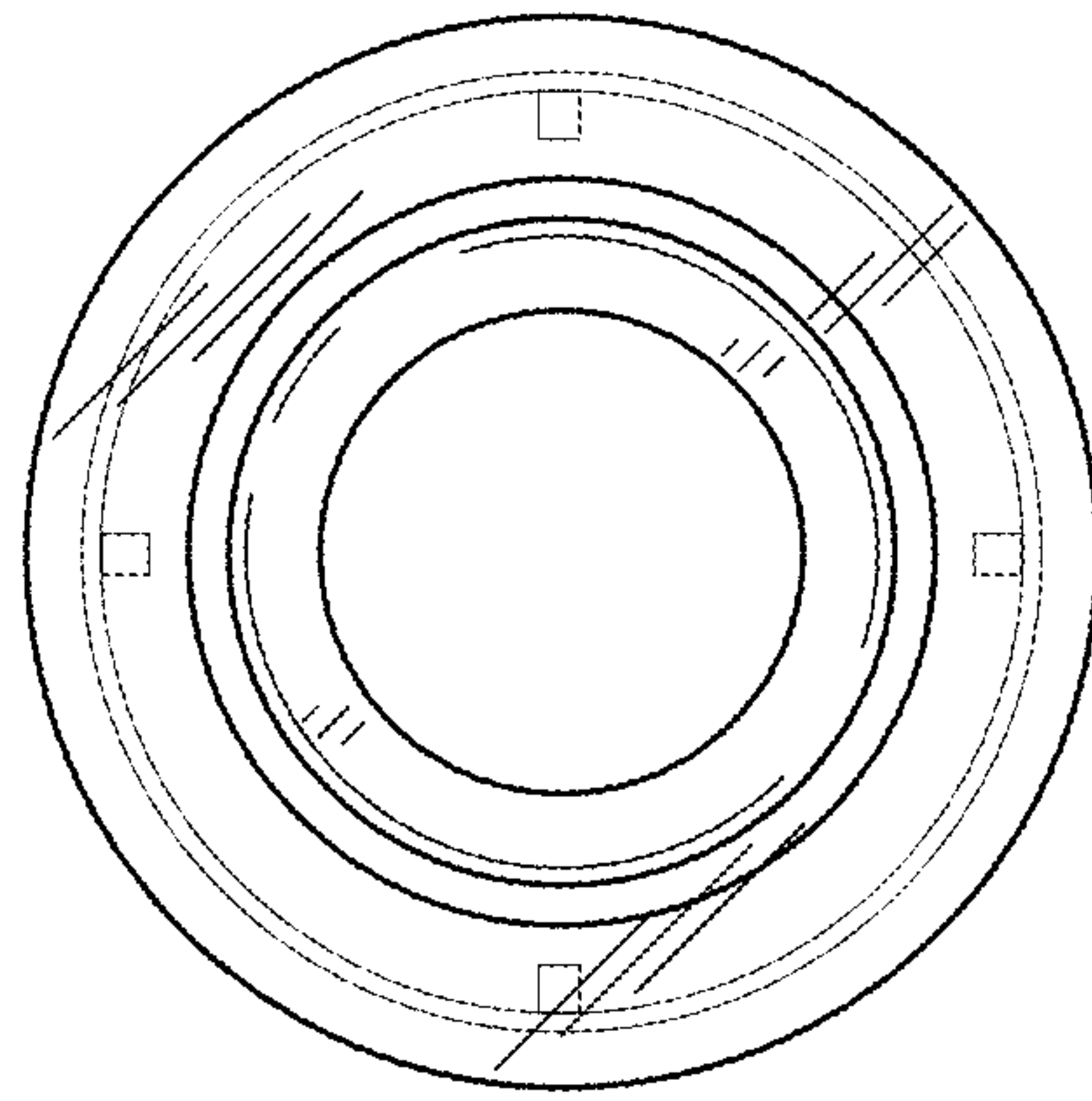


FIG. 5

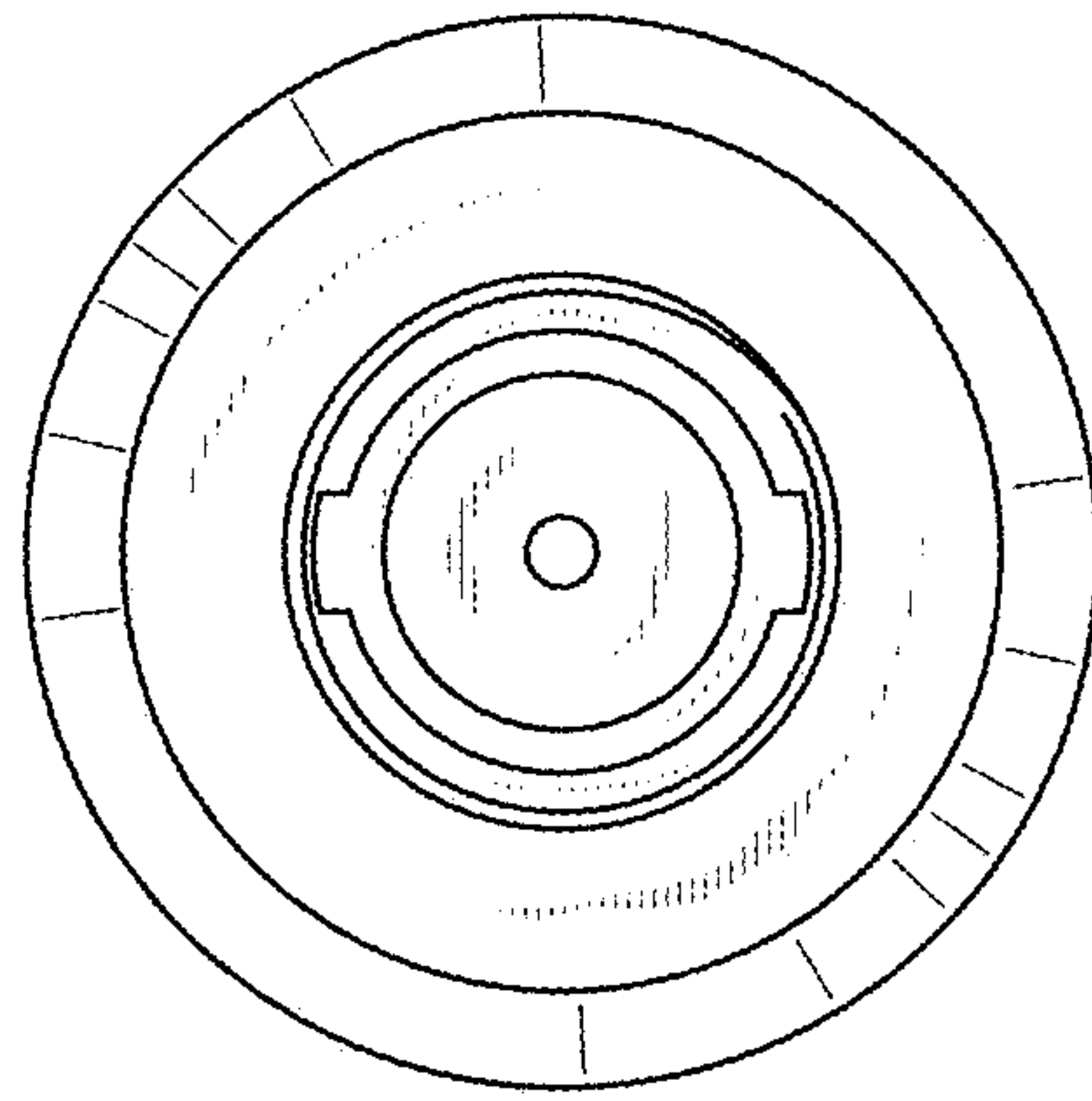


FIG. 6

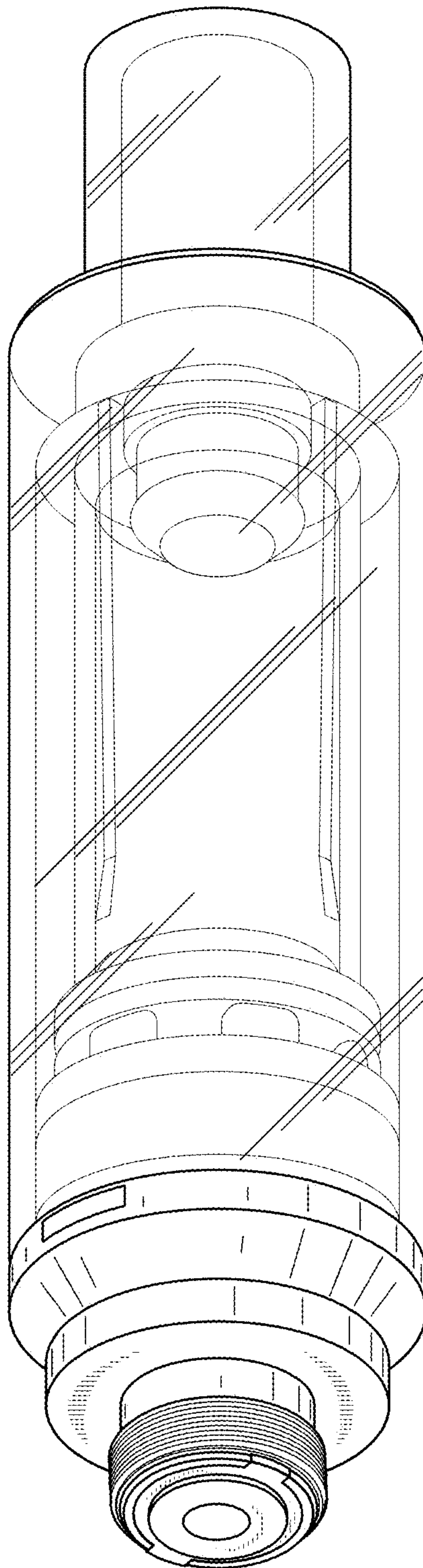


FIG. 7