



US00D989382S

(12) **United States Design Patent** (10) **Patent No.:** **US D989,382 S**
Yin (45) **Date of Patent:** **** *Jun. 13, 2023**

(54) **LAMP**
(71) Applicant: **SHENZHEN COOTWAY TECHNOLOGY CO., LTD.**, Shenzhen (CN)
(72) Inventor: **Benqiang Yin**, Shenzhen (CN)
(*) Notice: This patent is subject to a terminal disclaimer.
(**) Term: **15 Years**
(21) Appl. No.: **29/781,838**
(22) Filed: **Apr. 30, 2021**
(51) **LOC (14) Cl.** **26-05**
(52) **U.S. Cl.**
USPC **D26/104**
(58) **Field of Classification Search**
USPC D26/24, 26, 28, 40, 78, 79, 93, 104, 106, D26/110, 118; D14/104.1, 111, 114.1, D14/114.2, 114.5, 114.8
CPC .. F21S 6/002; F21S 6/003; F21S 6/004; F21S 6/005; F21S 6/006; F21S 6/007; F21S 8/00; F21S 8/03; F21S 8/04; F21S 8/031; F21S 8/038; F21S 9/00; F21S 9/02; F21S 9/04; F21S 10/00; F21S 10/02; F21S 10/04
See application file for complete search history.

(56) **References Cited**
U.S. PATENT DOCUMENTS
D376,666 S * 12/1996 Shalvi D26/68
D384,589 S * 10/1997 Loach D10/114.2
D392,764 S * 3/1998 Balish, Jr. D26/105
D393,016 S * 3/1998 Young D11/131
7,473,002 B1 * 1/2009 Chen G09F 23/00
40/433
D607,140 S * 12/2009 Farris D26/105
D624,448 S * 9/2010 Jackson D10/114.8

D661,009 S * 5/2012 Bennett D26/105
D709,782 S * 7/2014 Stuffle D10/114.8
D720,492 S * 12/2014 Gatchel D26/104
D731,107 S * 6/2015 Wu D26/104
D759,284 S * 6/2016 De Bevilacqua D26/88
D792,014 S * 7/2017 Galipeau D26/104
D800,944 S * 10/2017 Sonneman D26/88
D851,068 S * 6/2019 Ulloa D14/217
D861,227 S * 9/2019 Sonneman D26/88
D861,964 S 10/2019 Lin
D880,759 S * 4/2020 Smrstick D26/104
D880,760 S 4/2020 Yi
D882,152 S * 4/2020 Probyn D26/106
D883,462 S * 5/2020 Wei D23/366
D887,073 S 6/2020 Lin
D890,981 S 7/2020 Toikka
D893,086 S 8/2020 Browning
D896,432 S 9/2020 Li et al.
D896,434 S 9/2020 Probyn
D905,319 S 12/2020 Cui
D908,023 S * 1/2021 Bühl D10/114.8
D915,662 S 4/2021 Zhang
D915,663 S 4/2021 Feng et al.

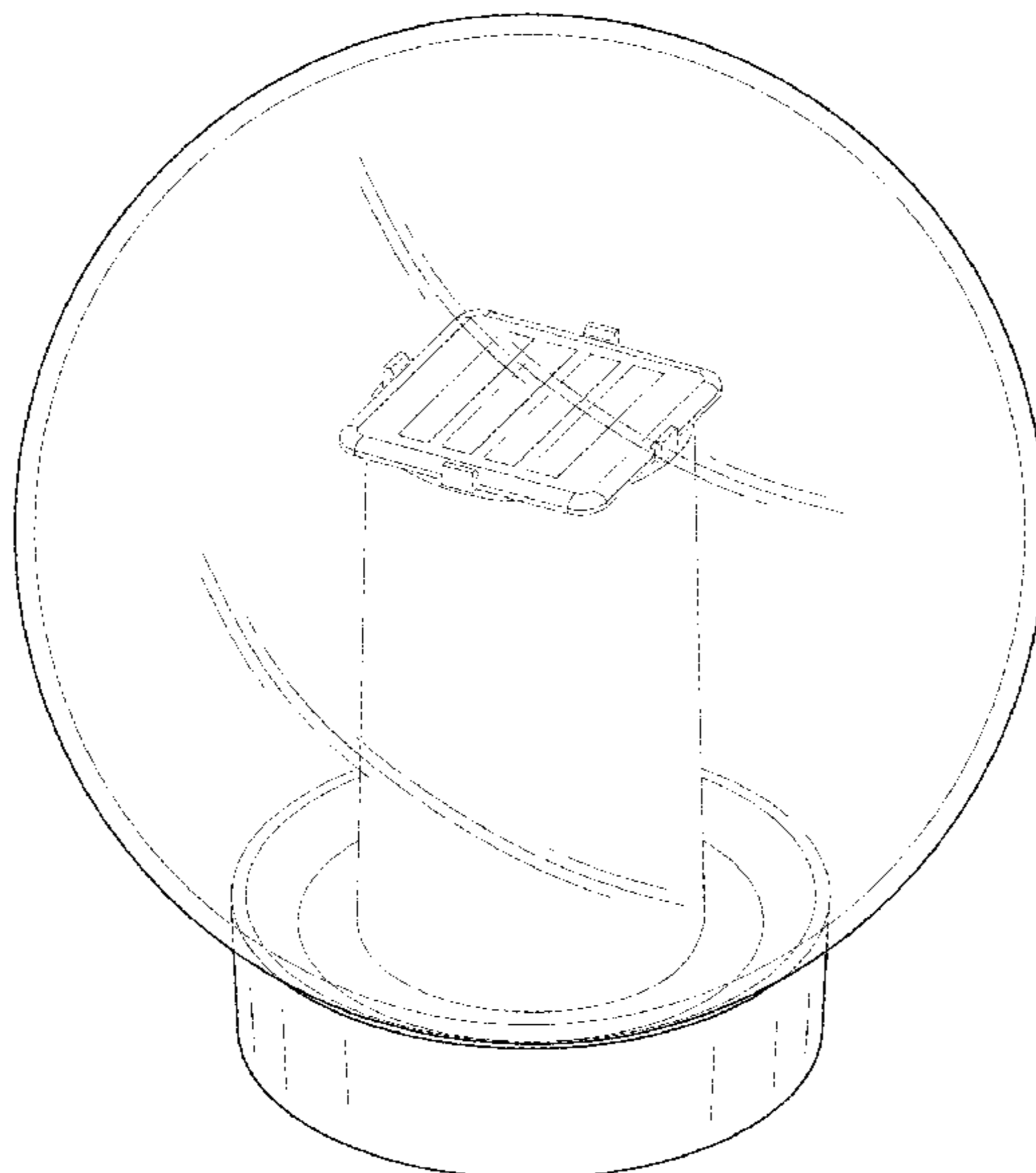
(Continued)

Primary Examiner — Wan Laymon
Assistant Examiner — Clint A Samuel

(57) **CLAIM**
The ornamental design for a lamp, as shown and described.

DESCRIPTION
FIG. 1 is a front, right side, top perspective view of a lamp showing my new design;
FIG. 2 is a front elevational view thereof;
FIG. 3 is a rear elevational view thereof;
FIG. 4 is a left side elevational view thereof;
FIG. 5 is a right side elevational view thereof;
FIG. 6 is a top plan view thereof; and,
FIG. 7 is a bottom plan view thereof.
The broken lines depict portions of the lamp that form no part of the claimed design.

1 Claim, 7 Drawing Sheets



(56)

References Cited

U.S. PATENT DOCUMENTS

D920,331 S *	5/2021	Nocon	D14/371
D927,761 S *	8/2021	Ricci	D26/88
D931,517 S *	9/2021	Wu	D26/110
D932,086 S *	9/2021	Wen	D26/88
2003/0012025 A1 *	1/2003	Christen	F21V 3/00
			362/310
2016/0047525 A1 *	2/2016	Wang	F21V 5/04
			362/311.06
2018/0064072 A1 *	3/2018	Chattin	A01K 63/003
2020/0069906 A1 *	3/2020	Choi	G09F 19/00

* cited by examiner

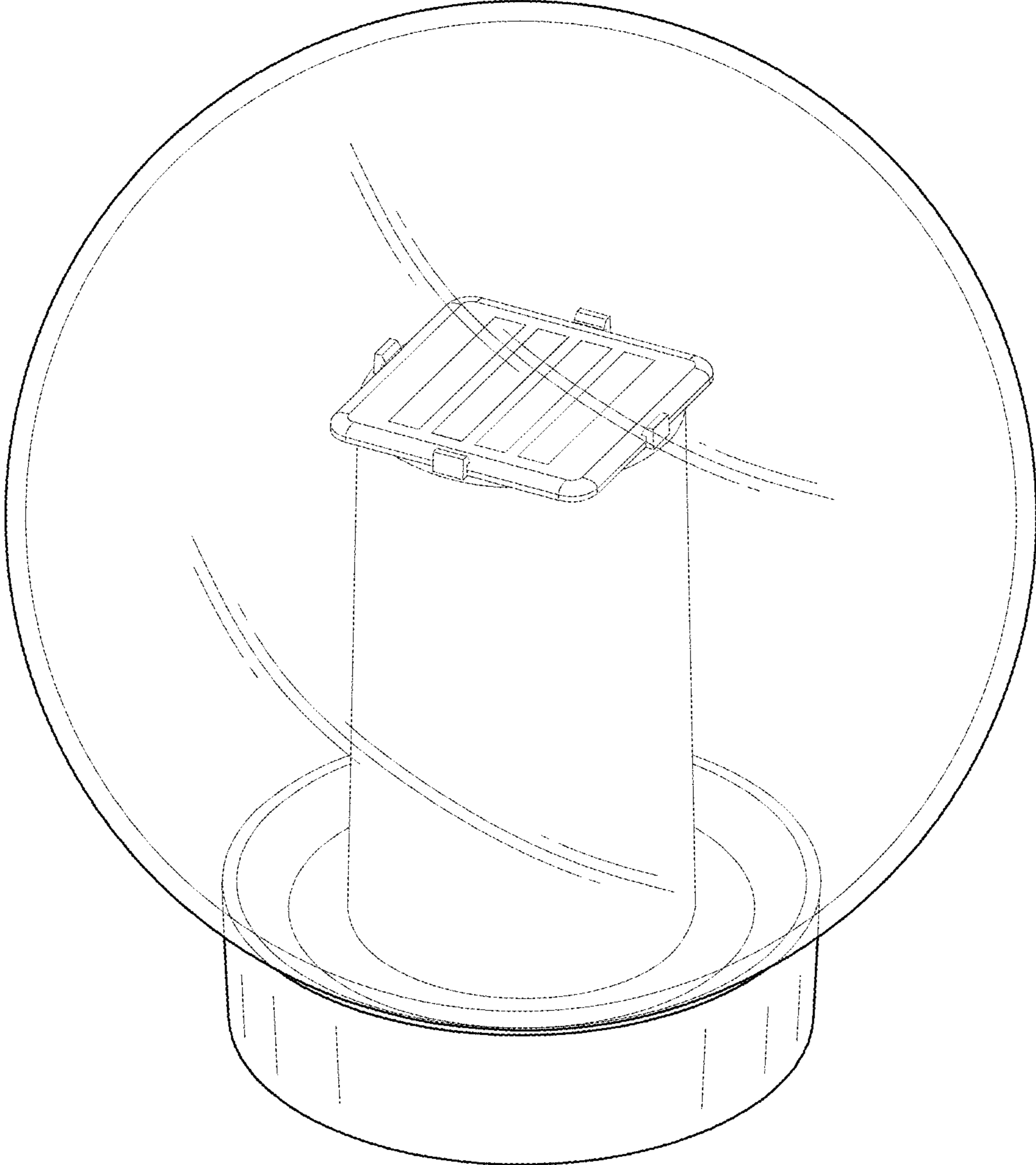


FIG.1

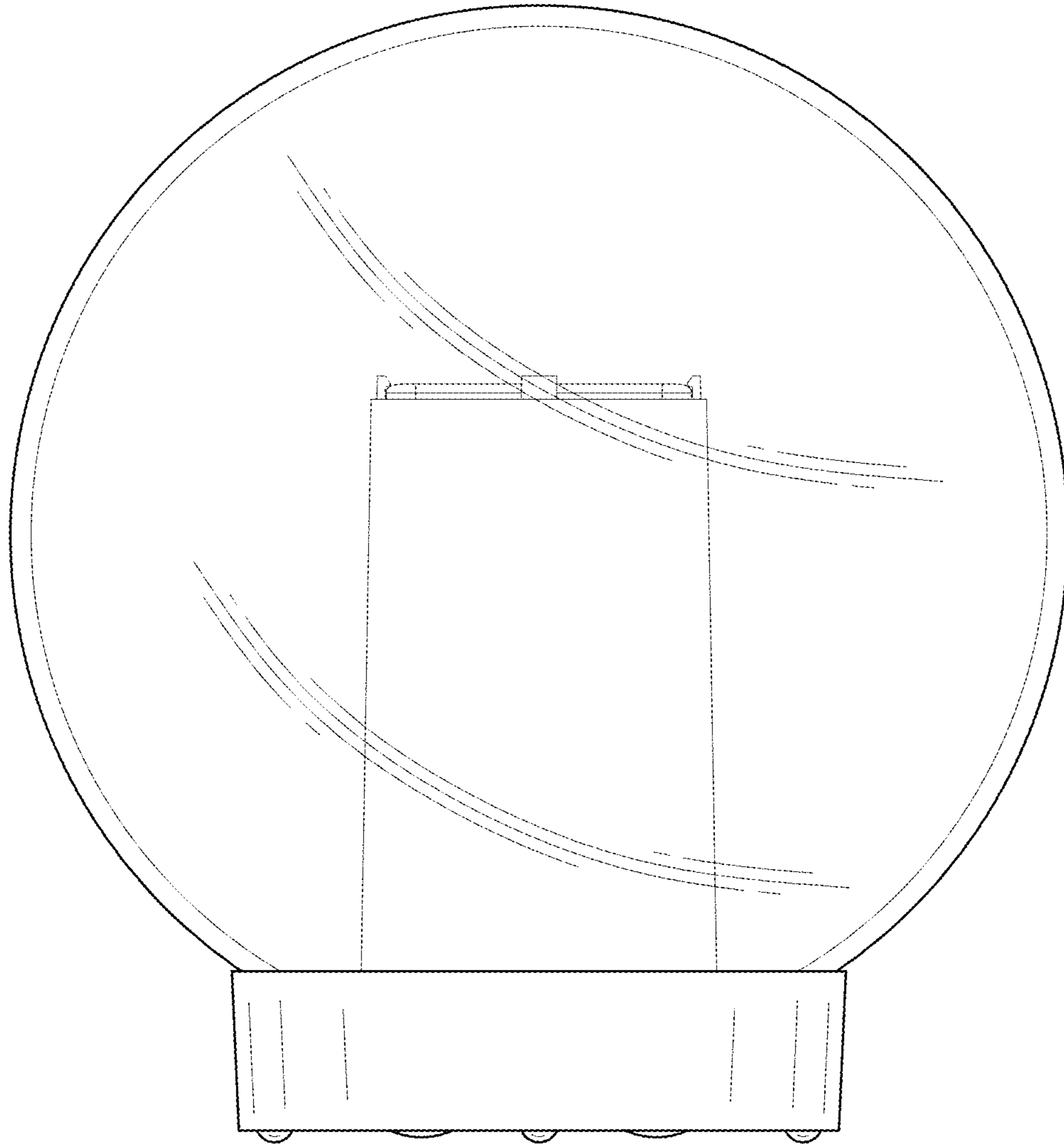


FIG.2

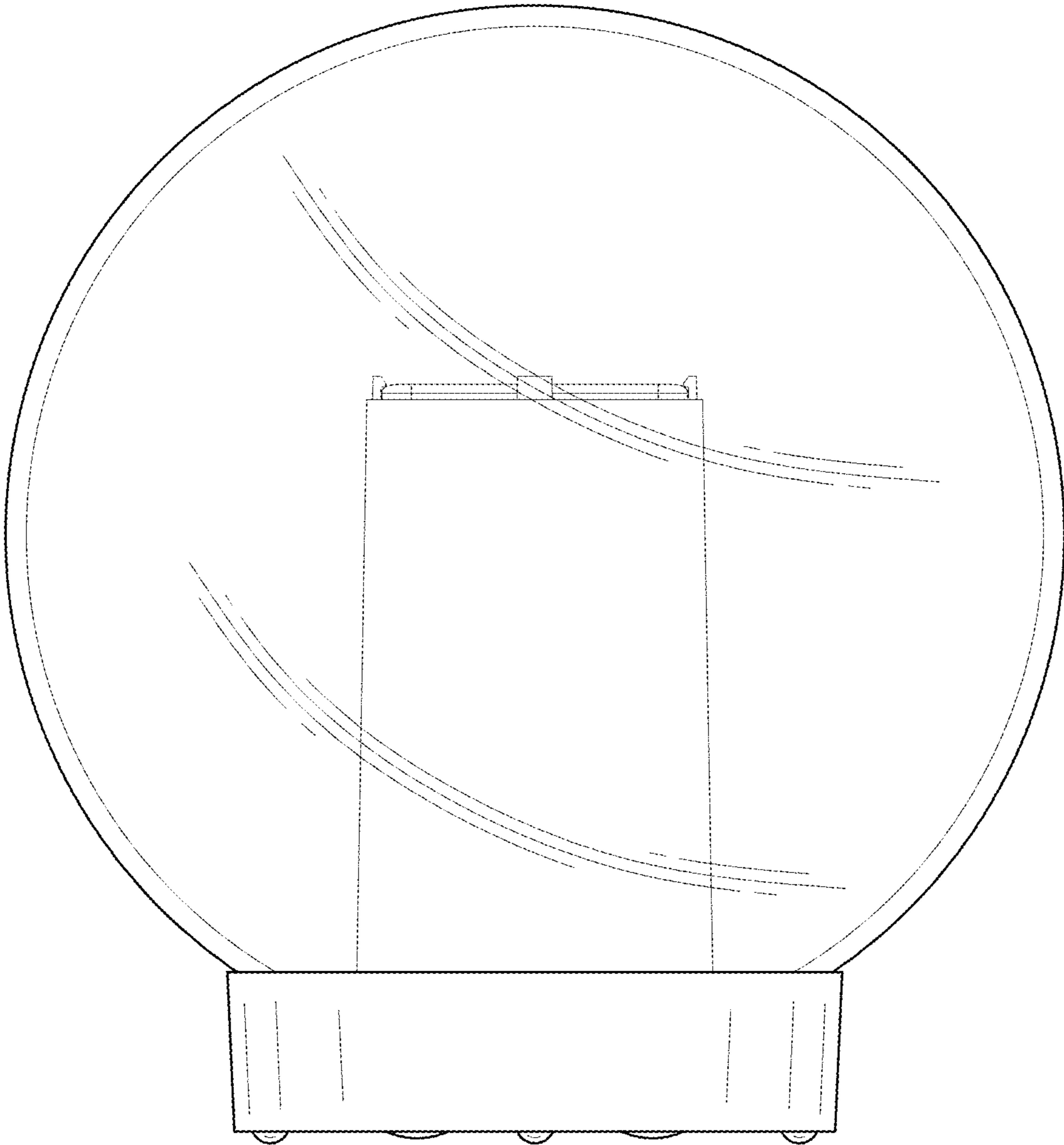


FIG.3

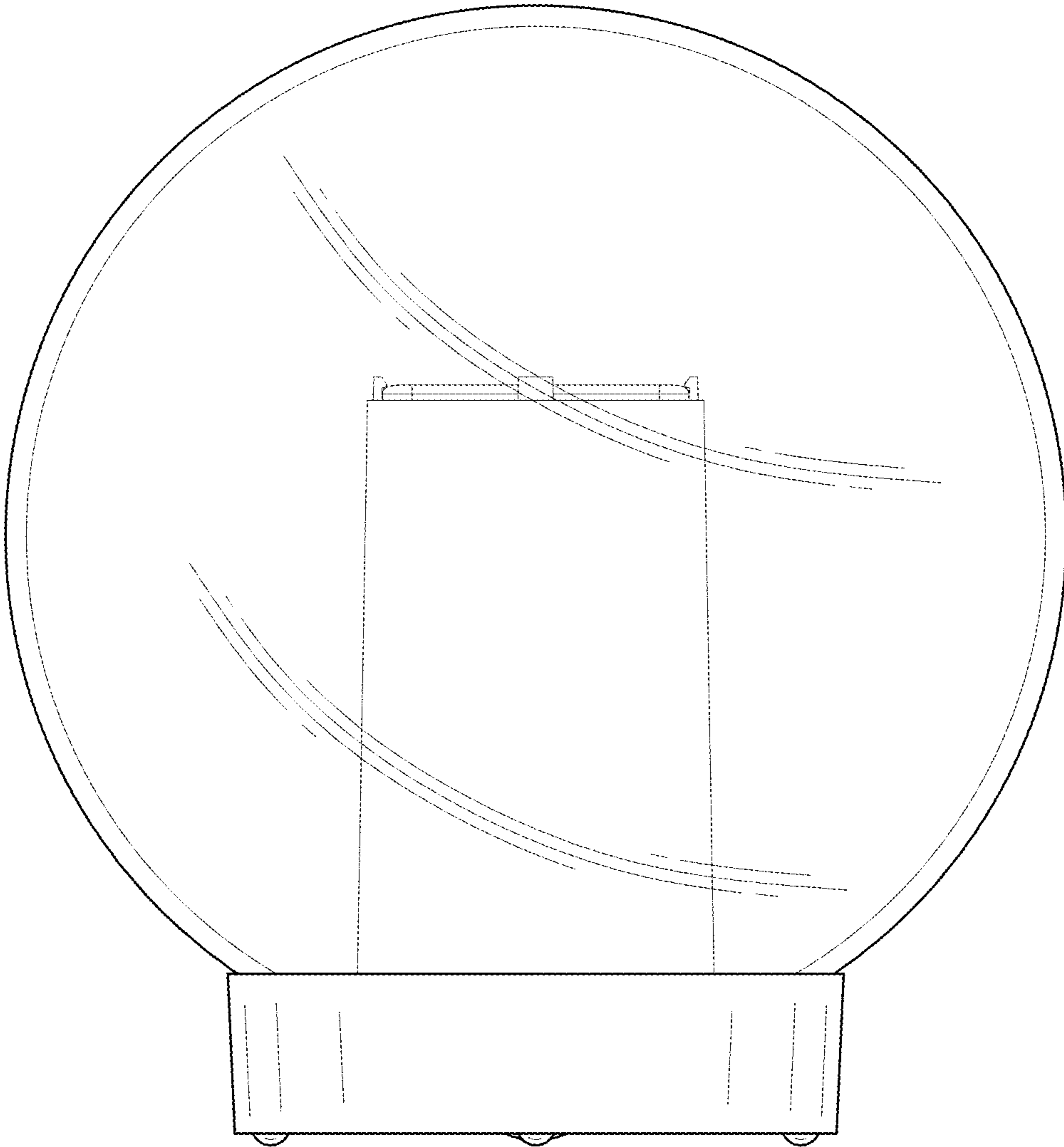


FIG.4

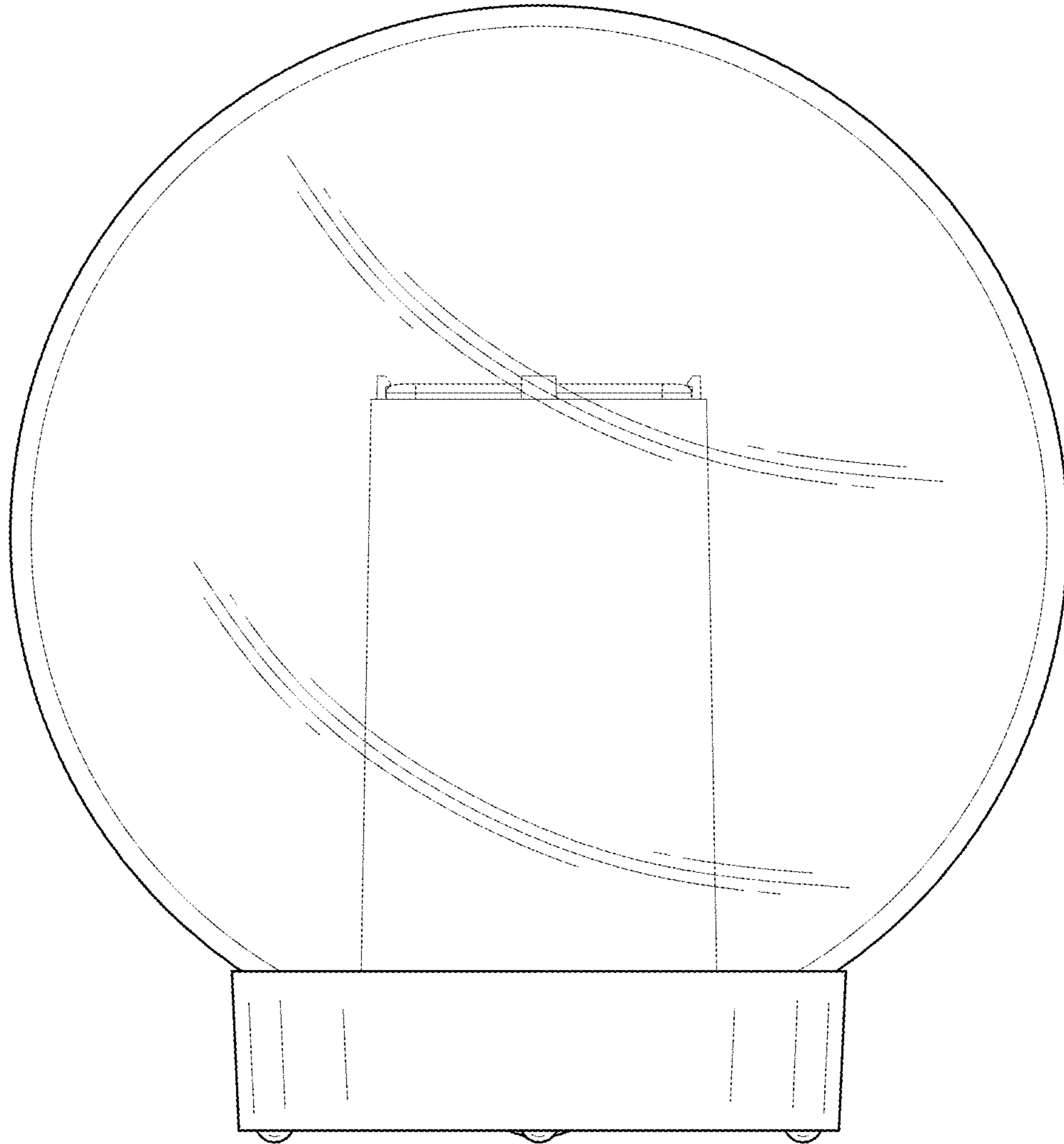


FIG.5

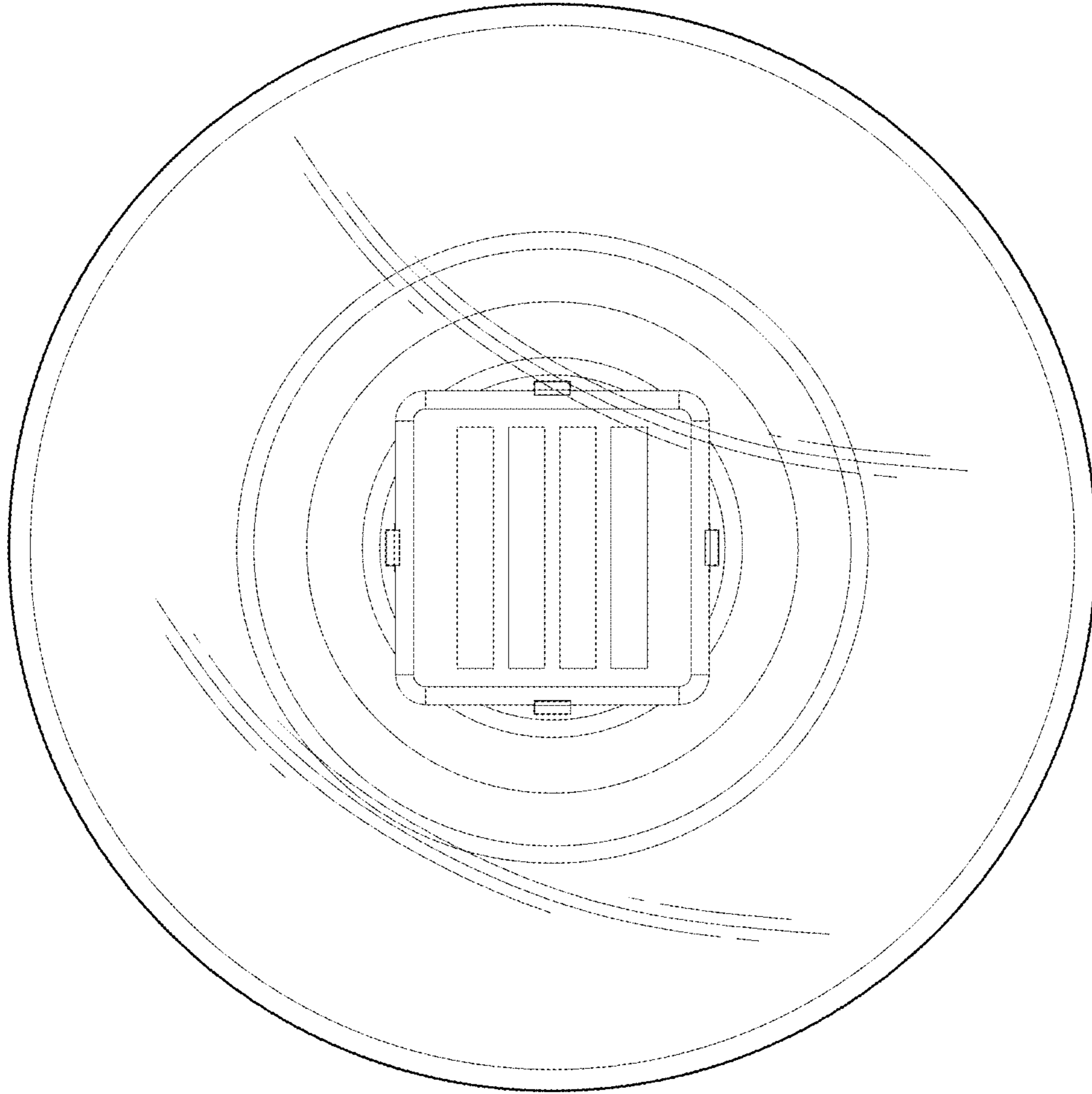


FIG.6

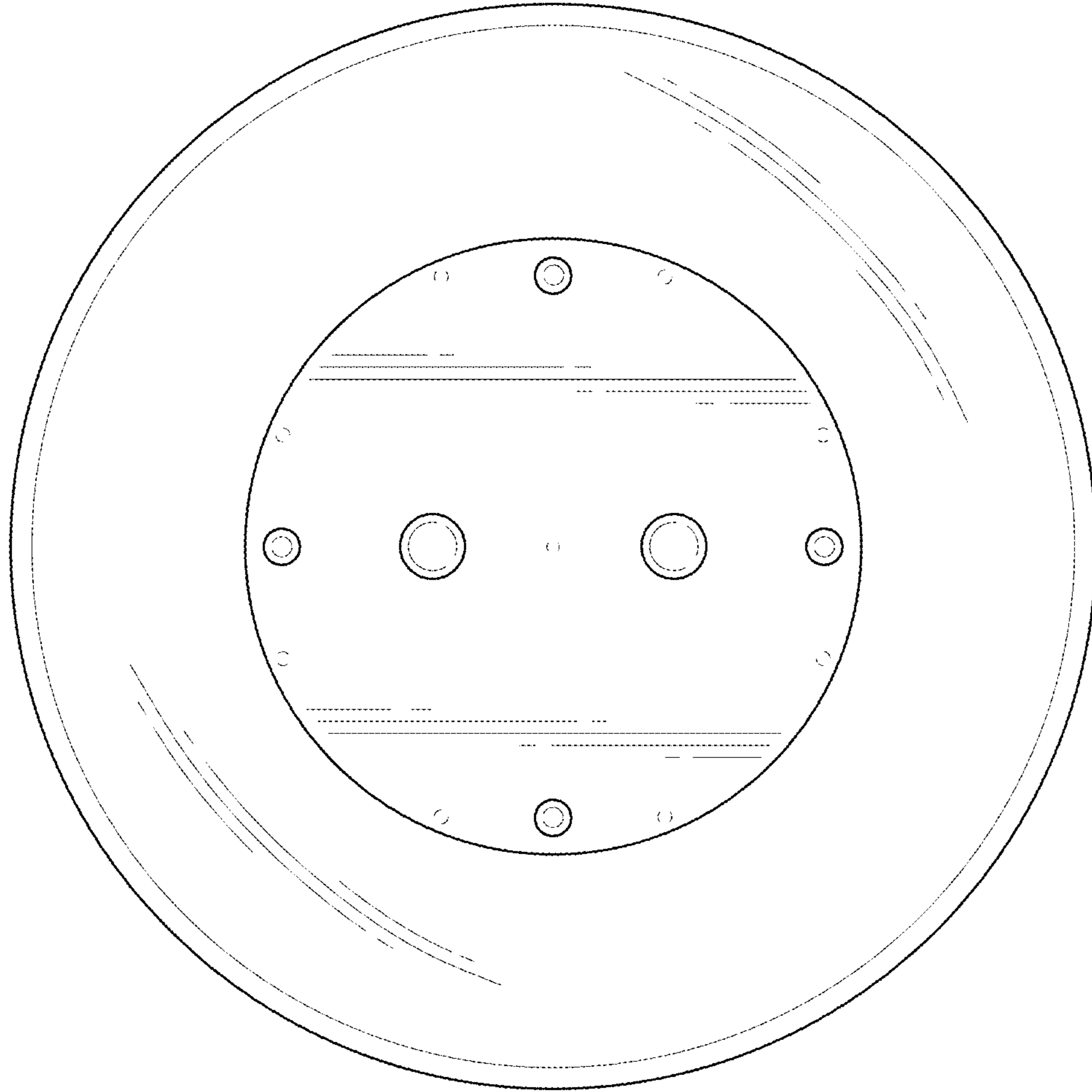


FIG.7