



US00D989380S

(12) **United States Design Patent**
Porter et al.

(10) **Patent No.:** **US D989,380 S**
(45) **Date of Patent:** **** Jun. 13, 2023**

(54) **MULTIPLE HEAD LAMP**

Bedroom/dp/B097M58DHY/ref=sr_1_5?keywords=floor%2Blamps%2Bwith%2Bmult . . . (Year: 2021).*

(71) Applicant: **TARGET BRANDS, INC.**,
Minneapolis, MN (US)

(Continued)

(72) Inventors: **Cameron James Porter**, Orono, MN
(US); **Rebecca Blount Pezdek**,
Mendota Heights, MN (US)

Primary Examiner — Sheryl Lane

Assistant Examiner — Alex T. Milbrath

(74) *Attorney, Agent, or Firm* — JoAnn M. Seaton;
Griffiths & Seaton PLLC

(73) Assignee: **Target Brands, Inc.**, Minneapolis, MN
(US)

(57) **CLAIM**

The ornamental design for a multiple head lamp, as shown and described.

(**) Term: **15 Years**

DESCRIPTION

(21) Appl. No.: **29/750,256**

FIG. 1 is a front perspective view of a multiple head lamp showing a first embodiment of our new design;

(22) Filed: **Sep. 11, 2020**

FIG. 2 is a front view thereof;

(51) **LOC (14) Cl.** **26-05**

FIG. 3 is a rear view thereof;

(52) **U.S. Cl.**

FIG. 4 is a right side view thereof;

USPC **D26/102**

FIG. 5 is a left side view thereof;

(58) **Field of Classification Search**

USPC D26/24, 61, 62, 63, 65, 93, 102, 106

FIG. 6 is a top view thereof; and

(Continued)

FIG. 7 is a bottom view thereof.

(56) **References Cited**

FIG. 8 is a front perspective view of a portion of the multiple head lamp of FIG. 1 as indicated by dashed box 8;

U.S. PATENT DOCUMENTS

D369,429 S * 4/1996 Huang D26/102

FIG. 9 is a front view of a portion of the multiple head lamp of FIG. 2 as indicated by dashed box 9;

D370,077 S 5/1996 Huang

FIG. 10 is a rear view of a portion of the multiple head lamp of FIG. 3 as indicated by dashed box 10;

(Continued)

FIG. 11 is a right side view of a portion of the multiple head lamp of FIG. 4 as indicated by dashed box 11;

FOREIGN PATENT DOCUMENTS

CN 306014344 * 8/2020

FIG. 12 is a left side view of a portion of the multiple head lamp of FIG. 5 as indicated by dashed box 12;

CN 306483404 * 4/2021

FIG. 13 is a top view of a portion of the multiple head lamp of FIG. 6 as indicated by dashed box 13; and,

(Continued)

FIG. 14 is a bottom view of a portion of the multiple head lamp of FIG. 7 as indicated by dashed box 14.

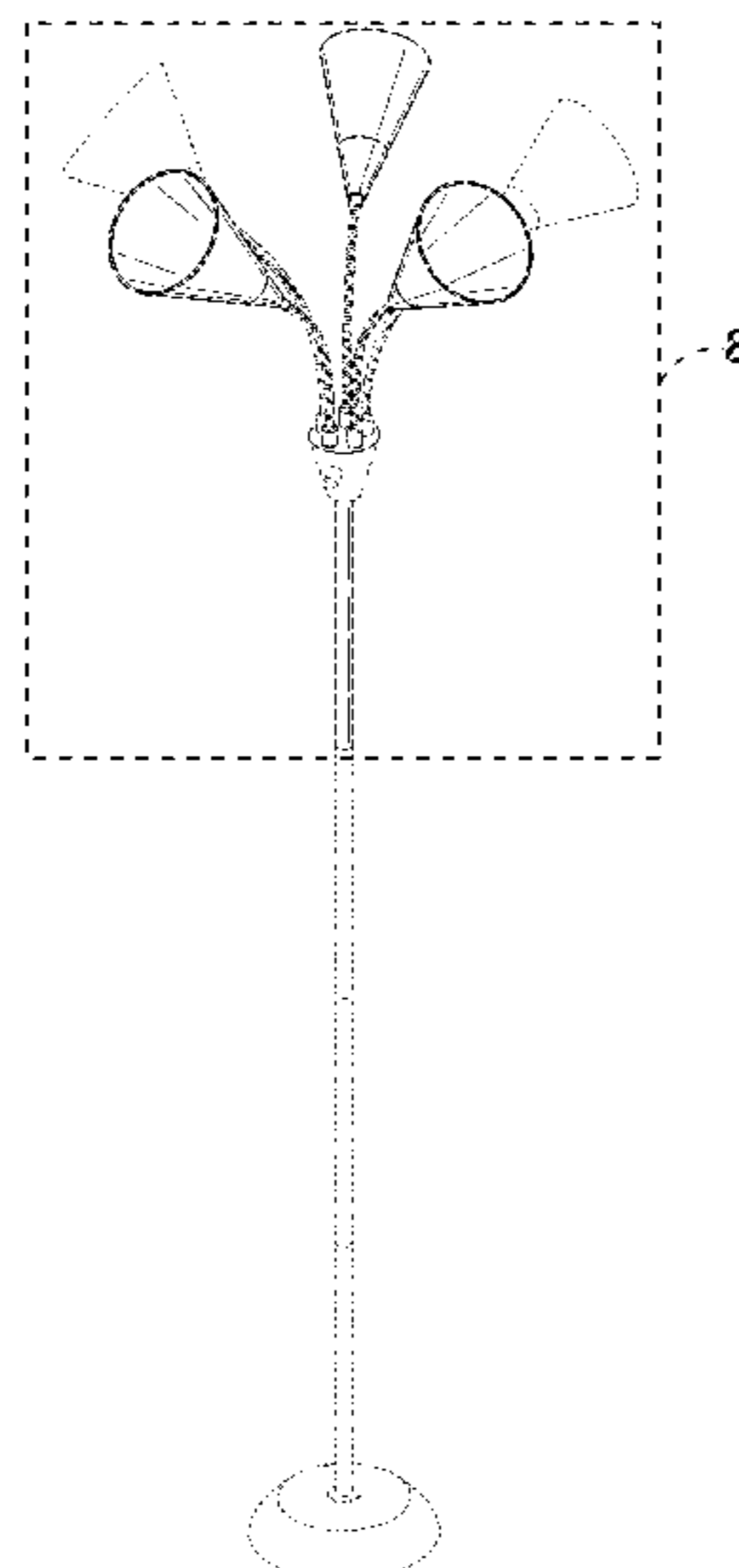
OTHER PUBLICATIONS

Medusa Floor Lamps, available in <https://www.amazon.com/>, posted: Jul. 1, 2021 [online], [site visited Jul. 13, 2022], Internet URL: <https://www.amazon.com/Medusa-Standing-Adjustable-Reading->

The features shown in broken lines are portions of the multiple head lamp forming no part of the claimed design.

The rectangular broken lines shown in FIGS. 1-14 are included for the purpose of showing enlarged portions of the multiple head lamp and form no part of the claim design.

1 Claim, 13 Drawing Sheets



(58) **Field of Classification Search**

CPC F21S 6/00; F21S 6/002; F21S 6/004; F21S 6/005; F21S 6/008; F21S 8/08; F21V 19/0075; F21V 21/02; F21V 21/14; F21W 2131/30

See application file for complete search history.

(56) **References Cited**

U.S. PATENT DOCUMENTS

D370,549 S	6/1996	Huang	
D386,803 S	11/1997	Swanson	
D390,990 S *	2/1998	Yang	D26/62
D566,317 S *	4/2008	Meda	D26/62
D737,496 S *	8/2015	Swanson	D26/65
D753,867 S *	4/2016	Yin	D26/107
D764,089 S *	8/2016	Gelman	D26/62
D773,089 S *	11/2016	Glass	F21V 21/32 D26/62
D776,850 S *	1/2017	Hodgson	D26/62
D819,856 S *	6/2018	Gelman	D26/102
D821,019 S *	6/2018	Yin	D26/107

FOREIGN PATENT DOCUMENTS

CN	306896560	*	10/2021
KR	300749576.0000	*	6/2014

OTHER PUBLICATIONS

Model 16197-98—Medusa Multi Head, available in <https://www.amazon.com/>, posted: Dec. 15, 2016 [online], [site visited Jul. 13,

2022], Internet URL: https://www.amazon.com/Floor-Lamp-Light-Accents-Adjustable/dp/B01N0RQ8NF/ref=sr_1_1_sspa?keywords=floor%2Blamps%2Bwith%2Bmultiple . . . (Year: 2016).*

Model 16196-98—Medusa Multi Head, available in <https://www.amazon.com/>, posted: Oct. 15, 2012 [online], [site visited Jul. 13, 2022], Internet URL: https://www.amazon.com/dp/B00BZDYF16/ref=emc_b_5_t?th=1 (Year: 2012).*

Brightech Medusa Modern LED Floor Lamp, available in <https://www.amazon.com/>, posted: Sep. 24, 2019 [online], [site visited Jul. 13, 2022], Internet URL: (Year: 2019).*

“Adesso Medusa 5-Shade Floor Lamp”, printed from www.amazon.com/Adesso-7205-22-Medusa-5-Shade-Floor/dp/...r+lamp&qid=1592418347&s=hi&sprefix=5+hed%2Ctools%2C311&sr=1-6, publicly available at least as early as Mar. 14, 2014 (12 pages).

“Brightech Medusa Modern LED Floor Lamp”, printed from www.amazon.com/Brightech-Medusa-Modern-Floor-Lamp/dp/B...or+lamp&qid=1592418347&s=hi&sprefix=5+hed%2Ctools%2C311&sr=1-3, publicly available at least as early as Sep. 24, 2019 (10 pages).

“Decor Works 5 Light Floor Lamp with White Shades”, printed from www.walmart.com/ip/Decor-Works-5-Light-Floor-Lamp-with...RbPwIjM0i0imJ5HVvliH9DK1bHW2FI1S5OadOVmxhMI0rBoCqksQAvD_BwE, publicly available at least as early as Nov. 27, 2018 (8 pages).

“Style Selections 67 in. Black 3-Way Multi-head Floor Lamp with Plastic Shade”, printed from [/www.amazon.com/Style-Selections-Black-Multi-head-Plastic/...loor+lamp&qid=1592418347&s=hi&sprefix=5+hed%2Ctools%2C311&sr=1-11](http://www.amazon.com/Style-Selections-Black-Multi-head-Plastic/...loor+lamp&qid=1592418347&s=hi&sprefix=5+hed%2Ctools%2C311&sr=1-11), publicly available at least as early as Oct. 11, 2017 (9 pages).

* cited by examiner

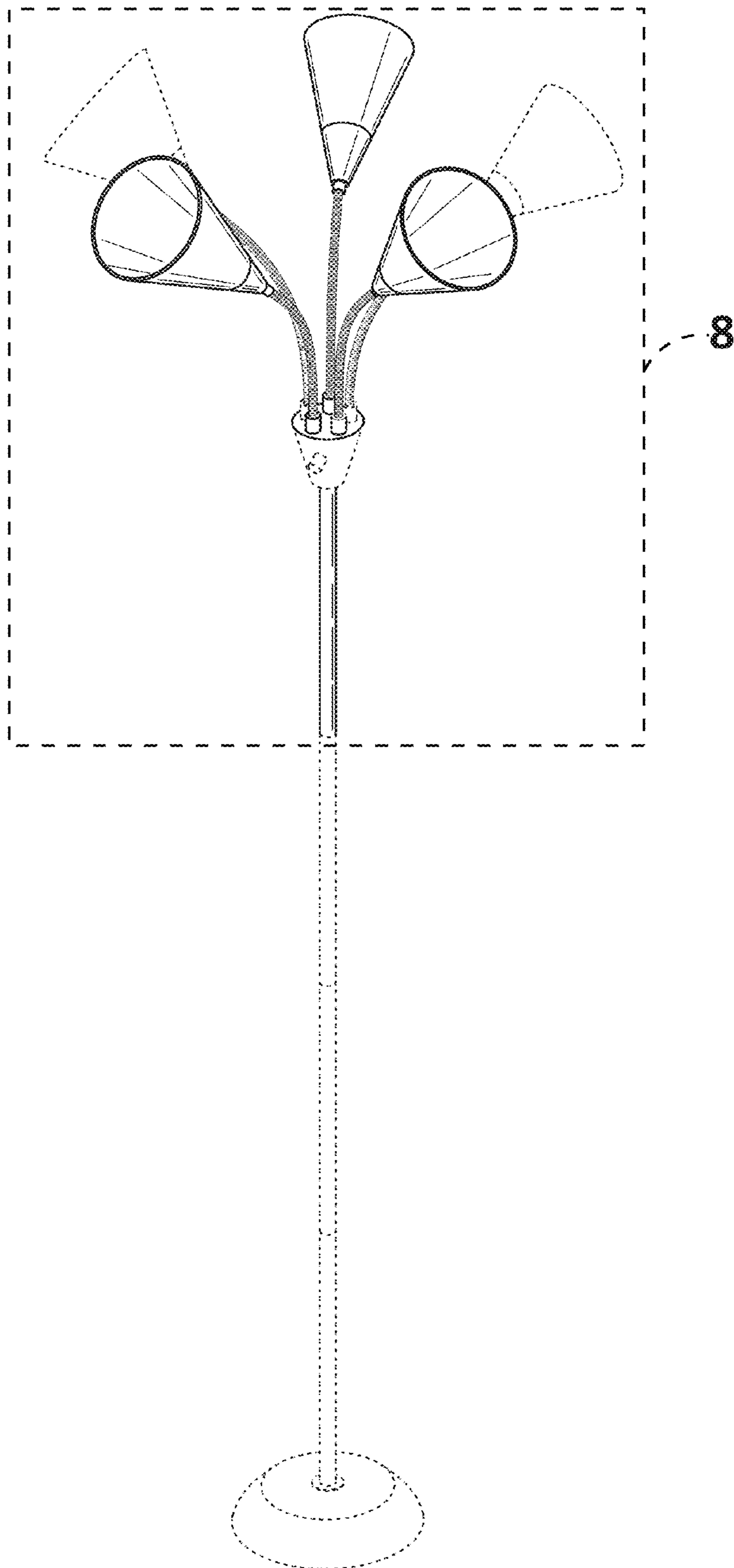


FIG. 1

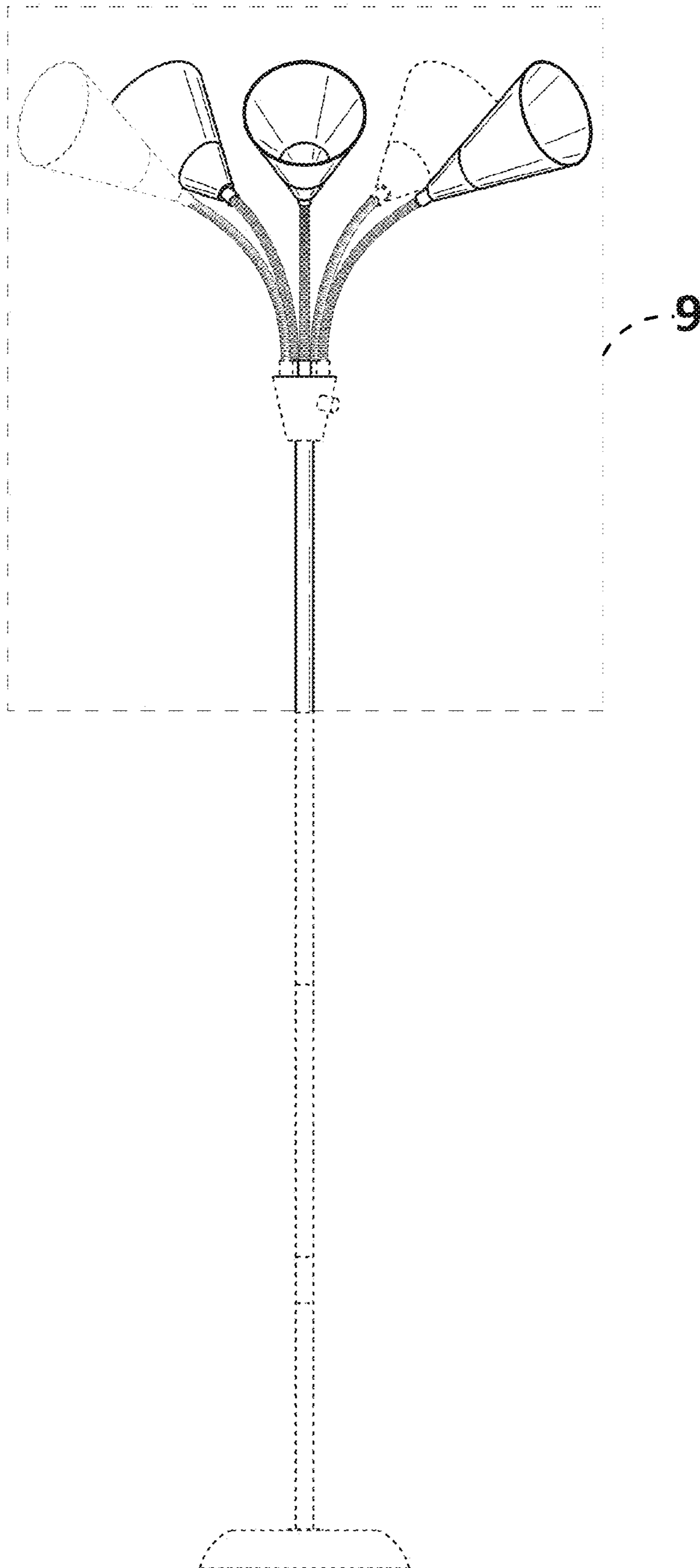


FIG. 2

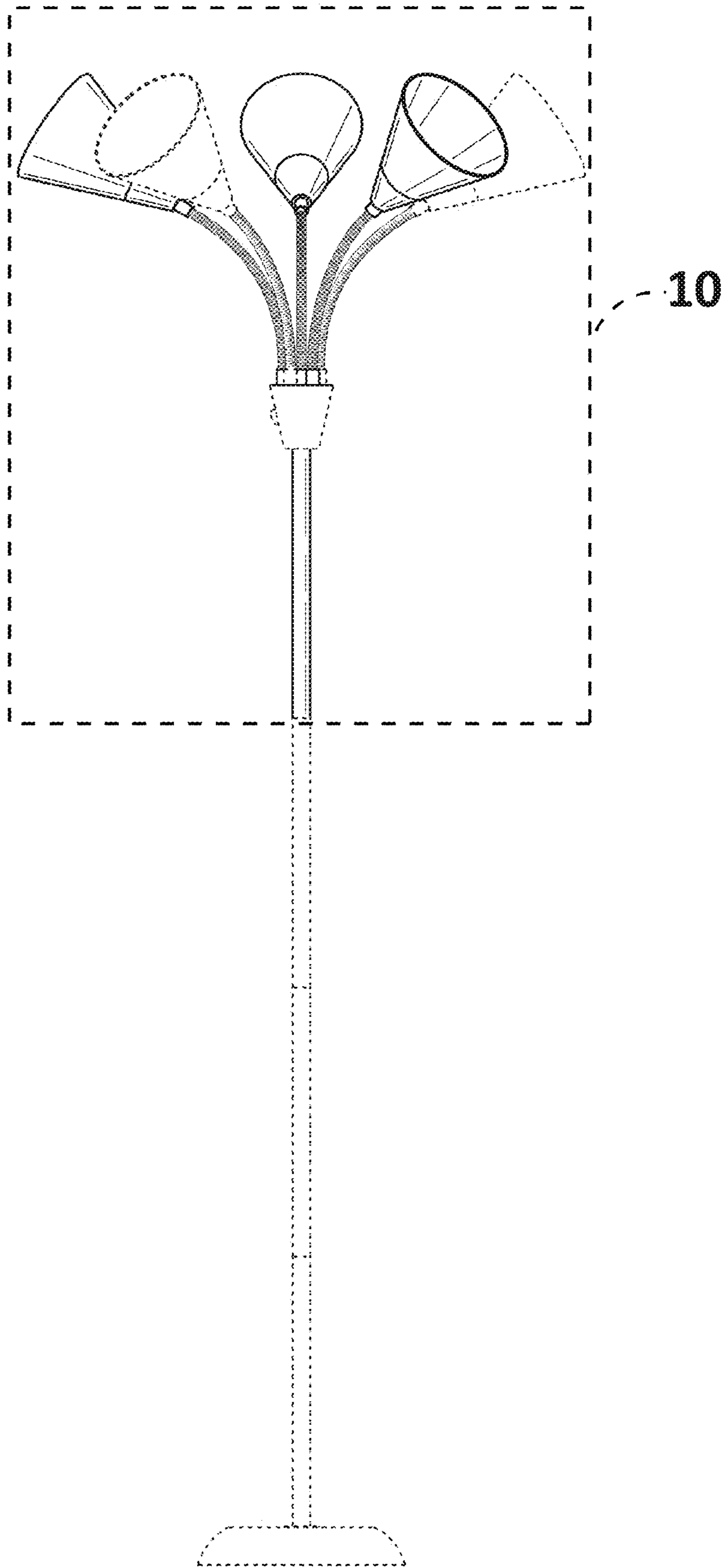


FIG. 3

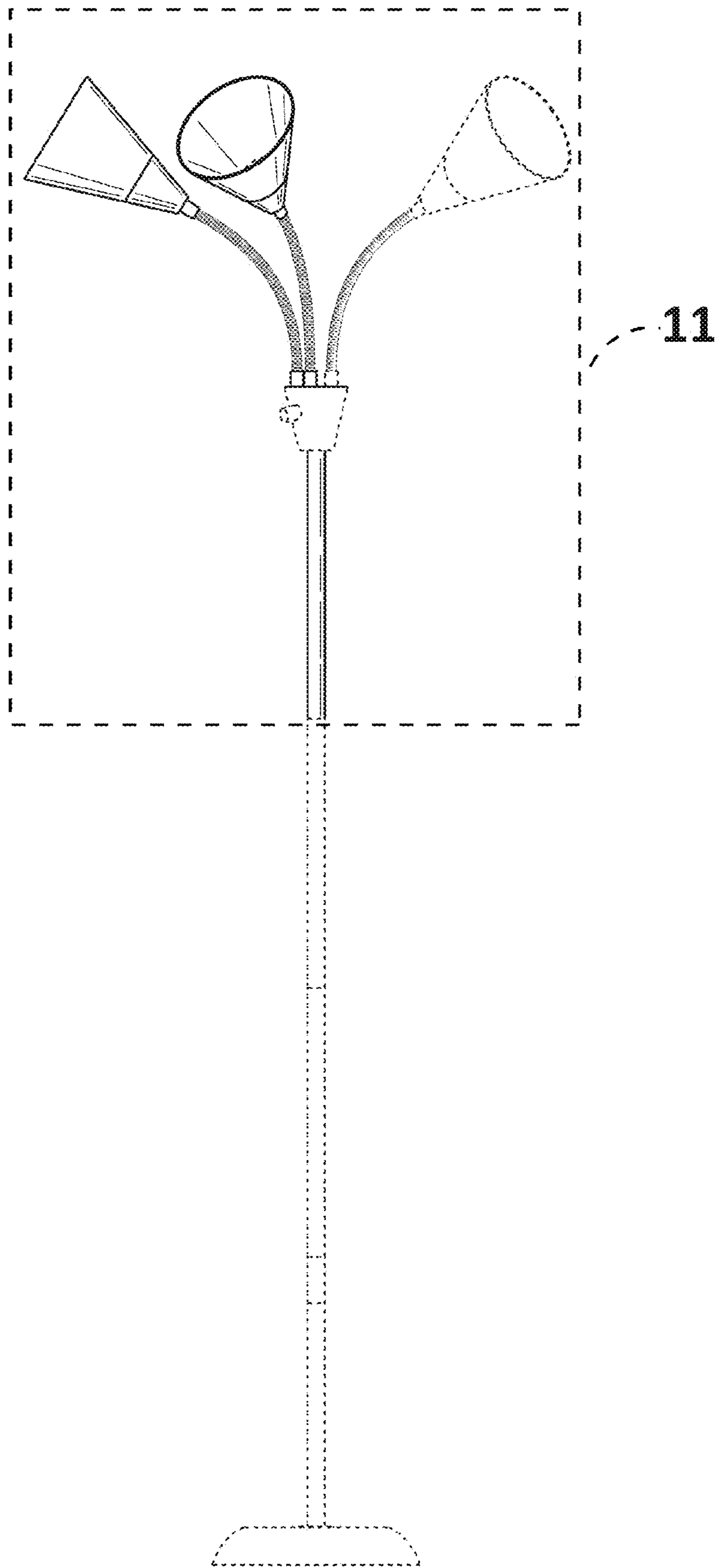


FIG. 4

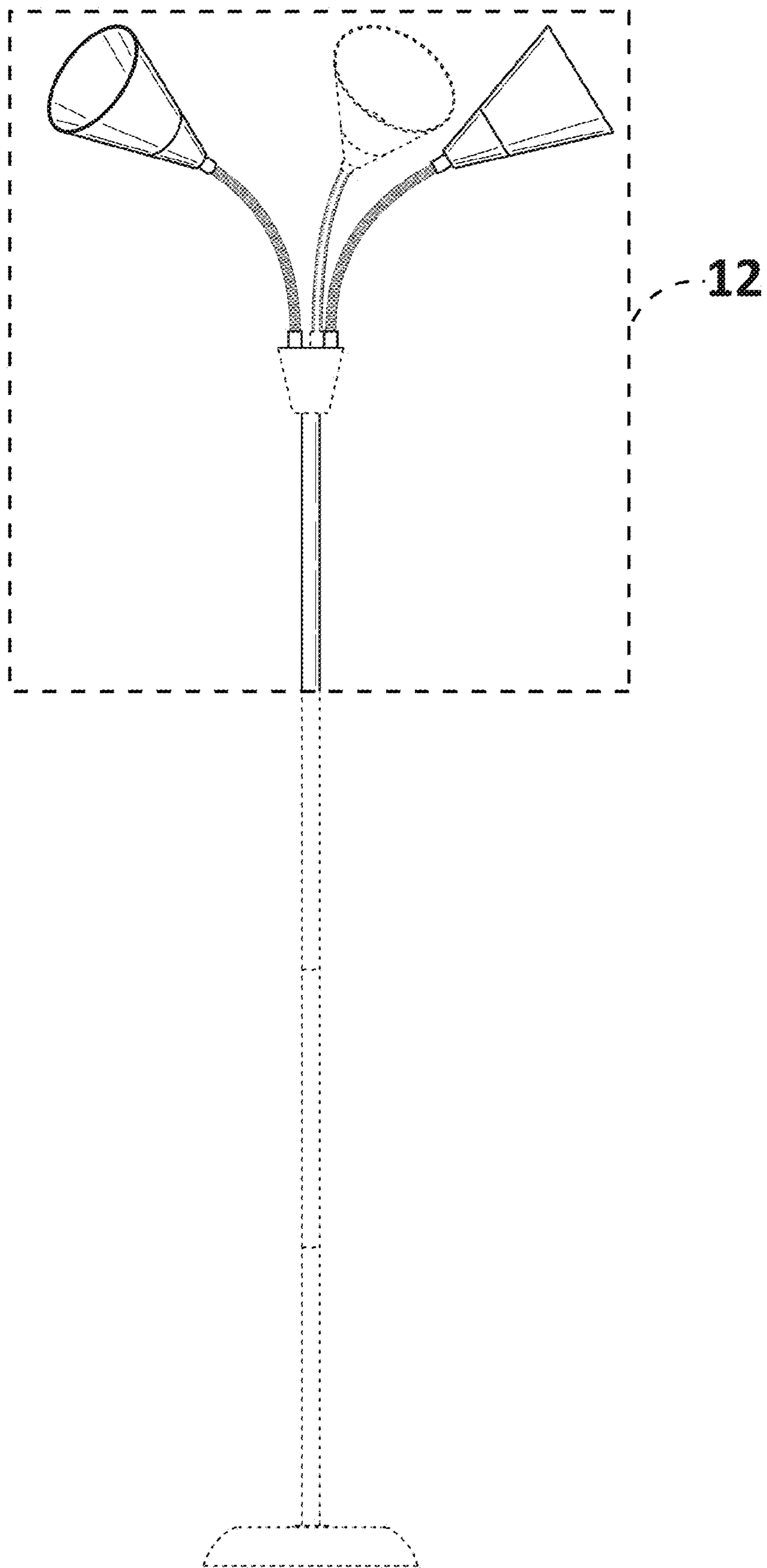


FIG. 5

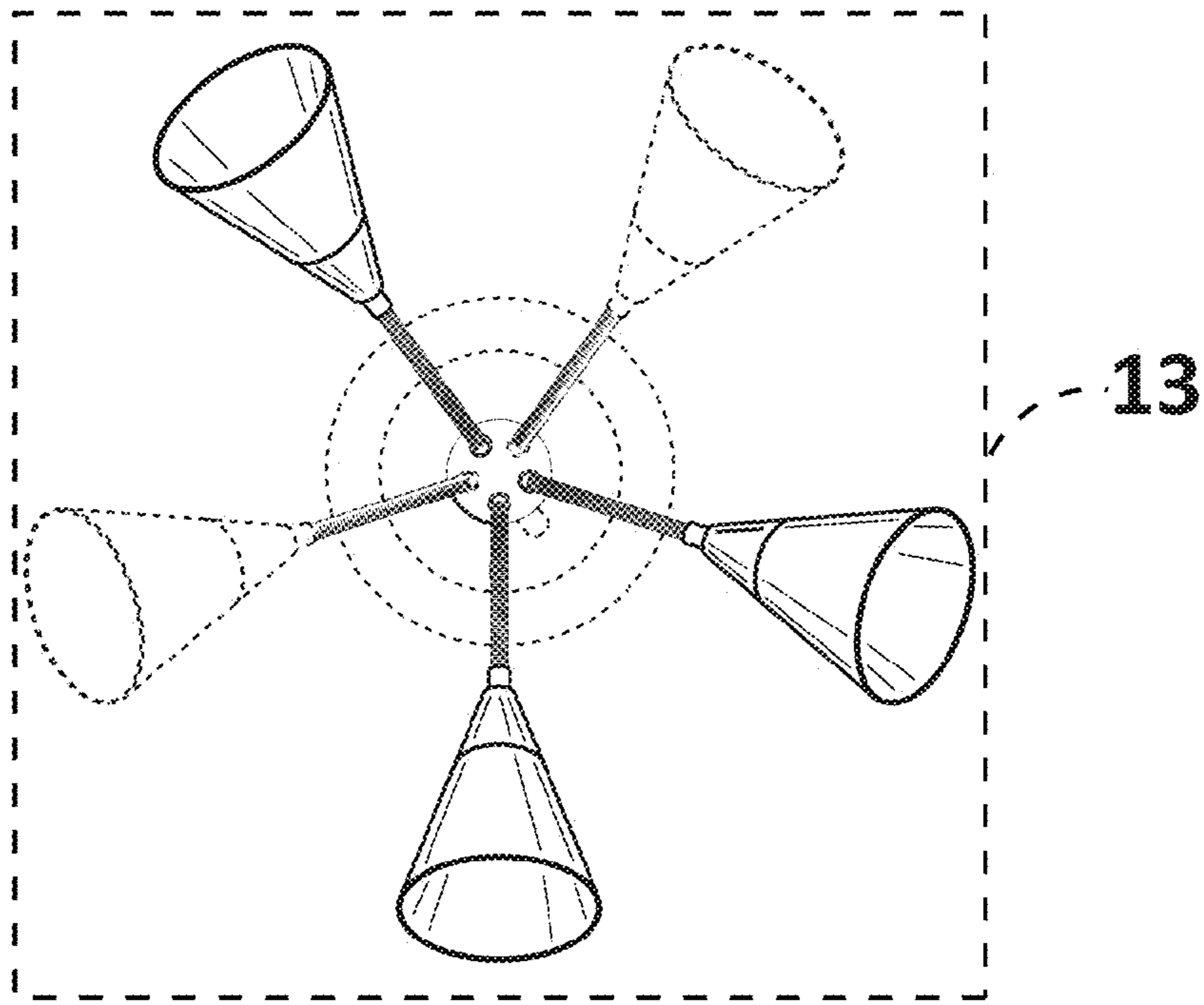


FIG. 6

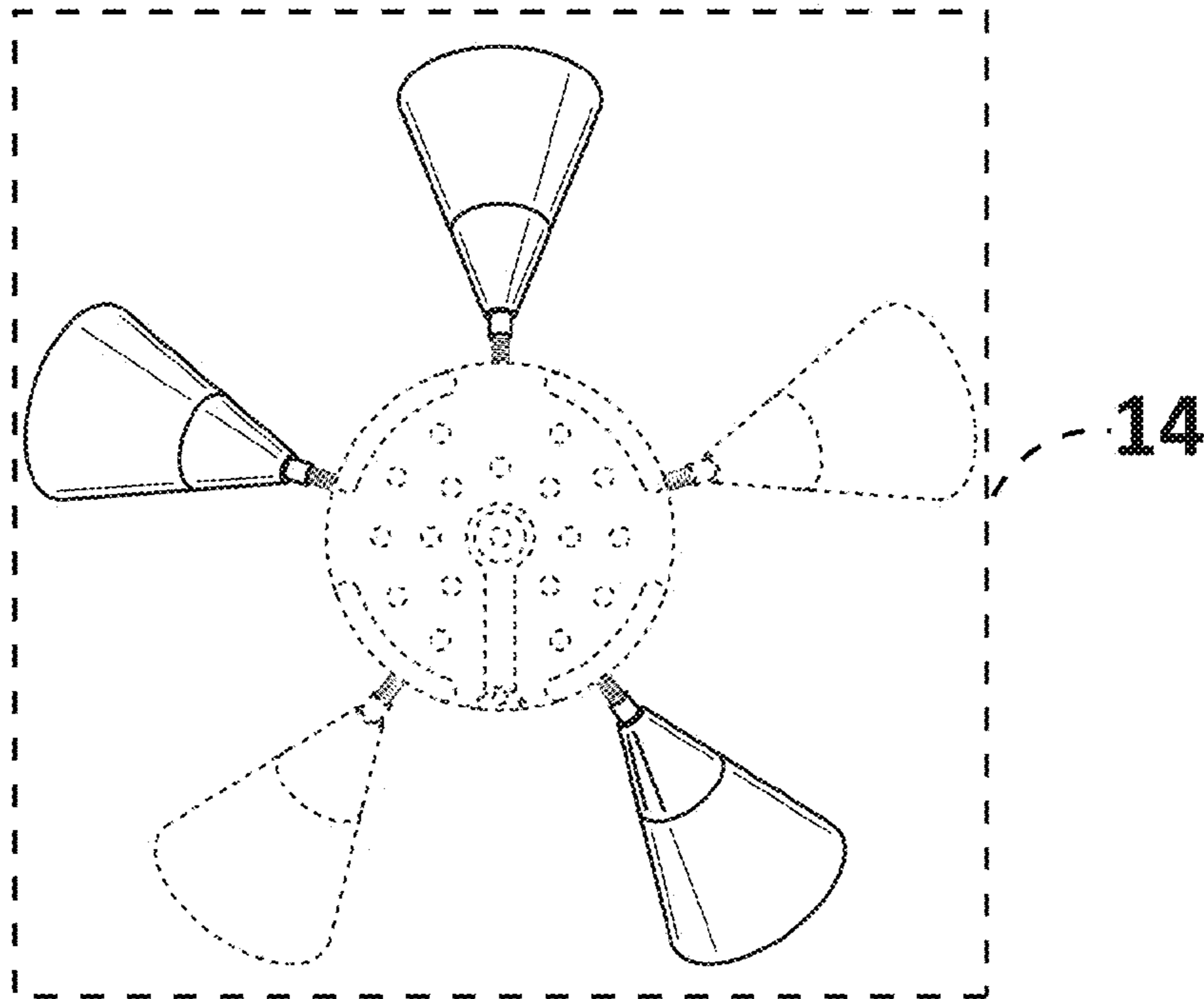


FIG. 7

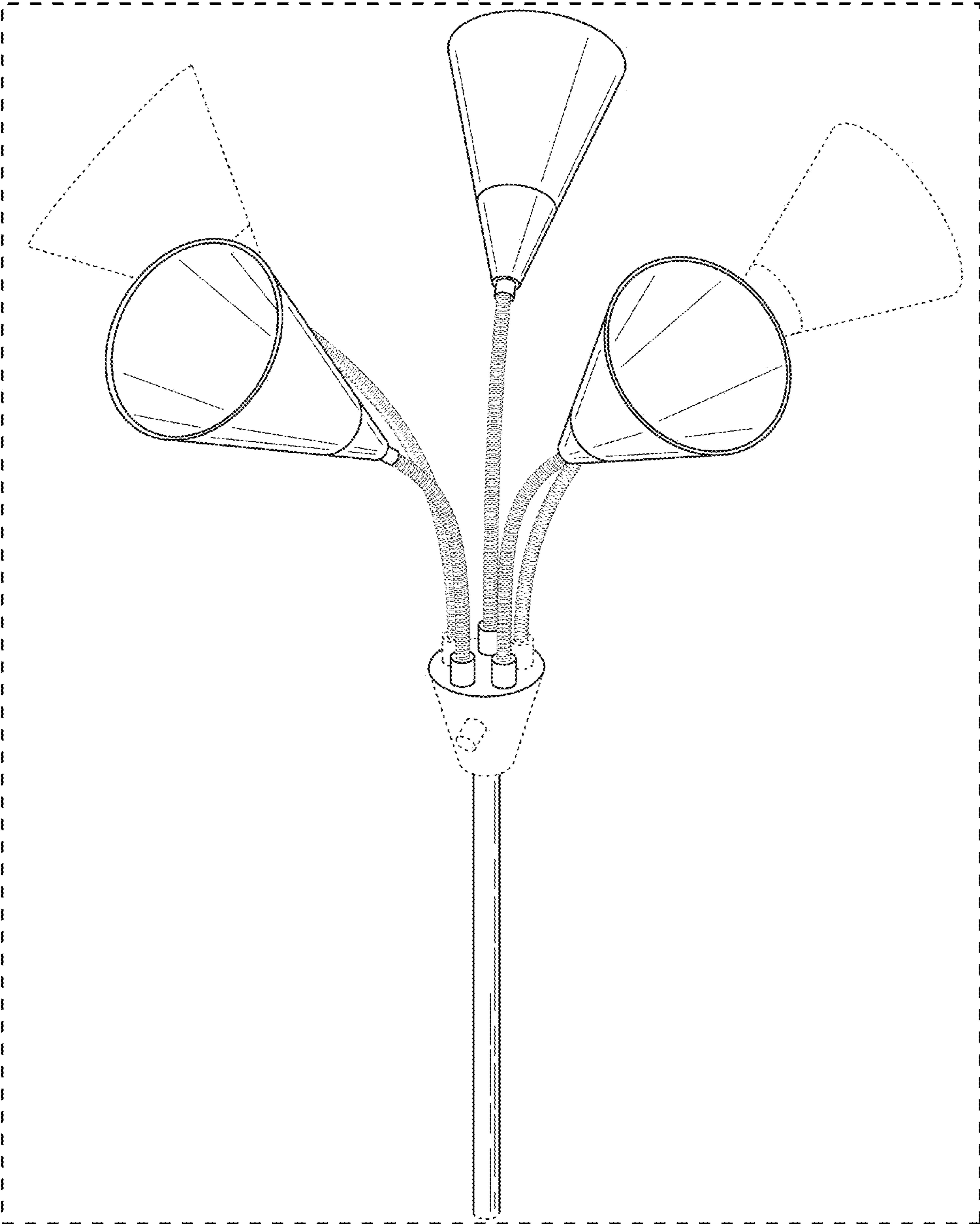


FIG. 8

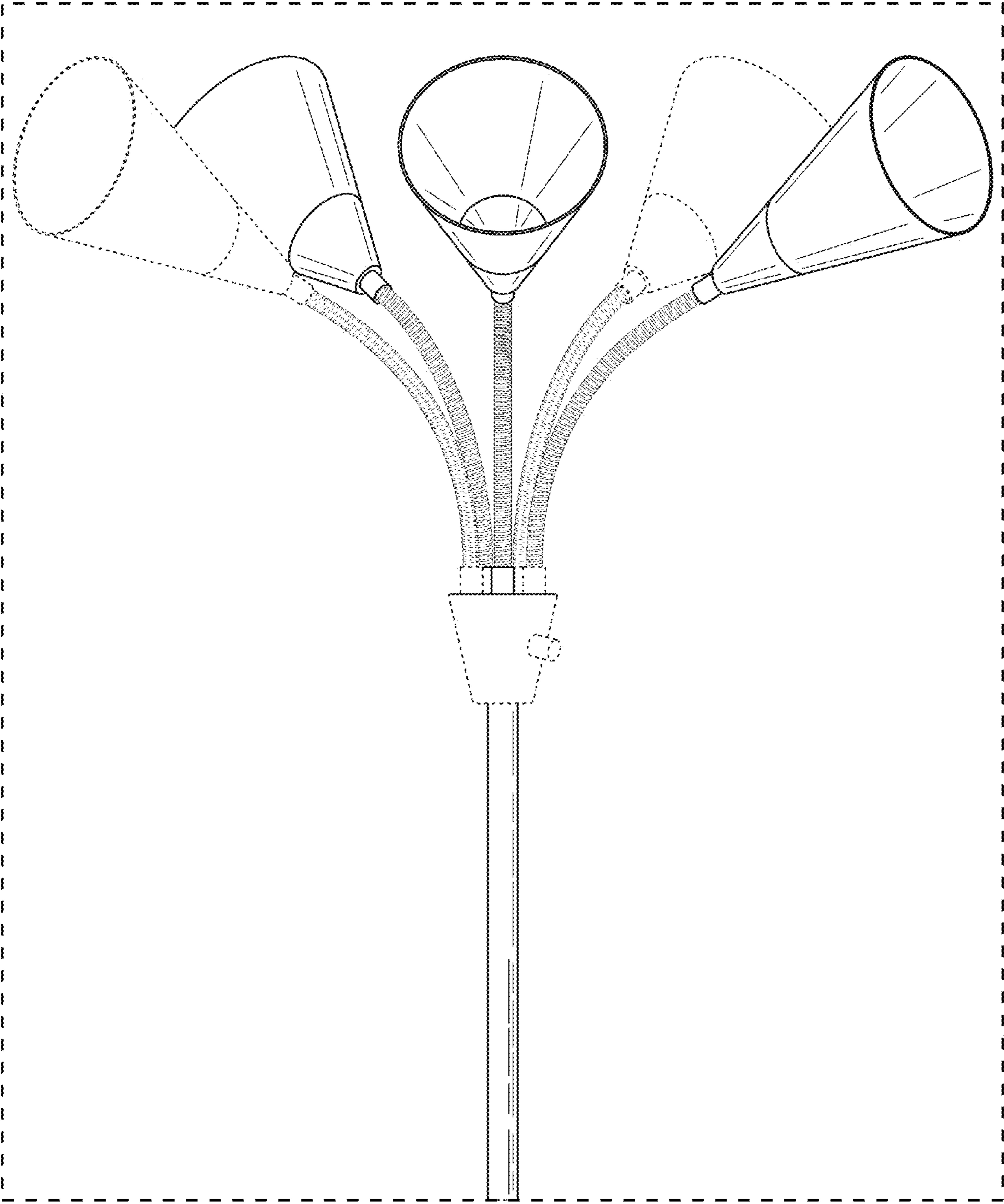


FIG. 9

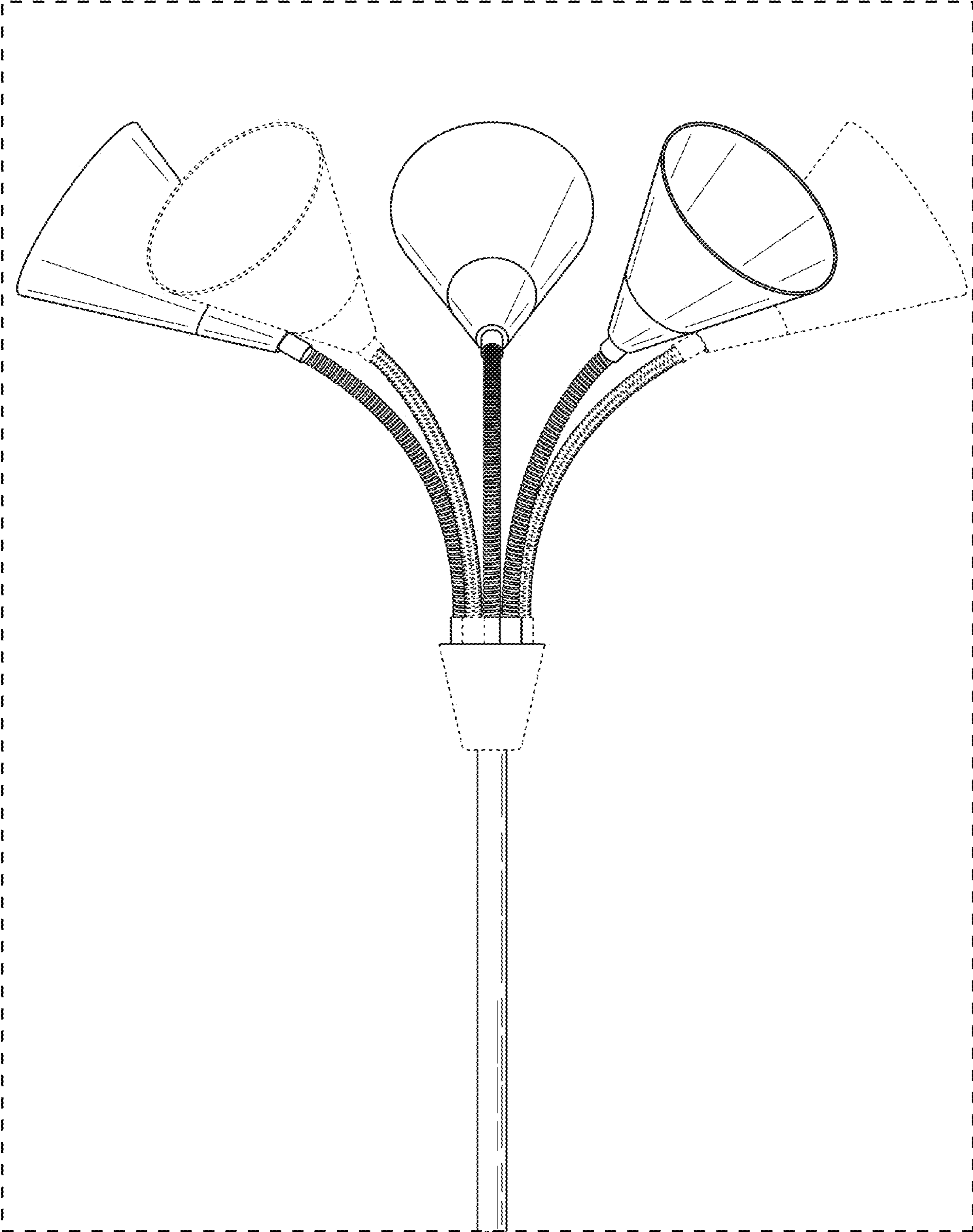


FIG. 10

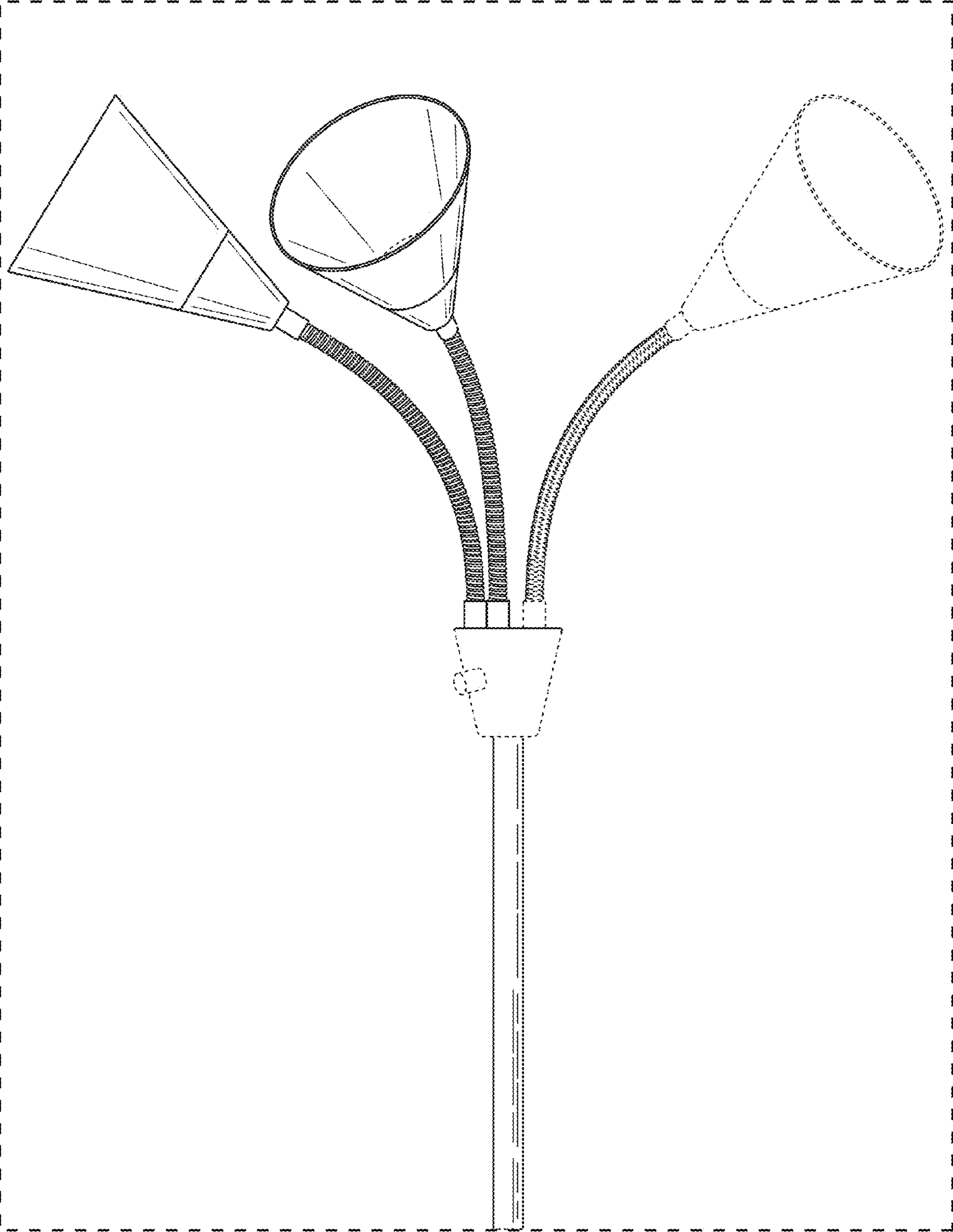


FIG. 11

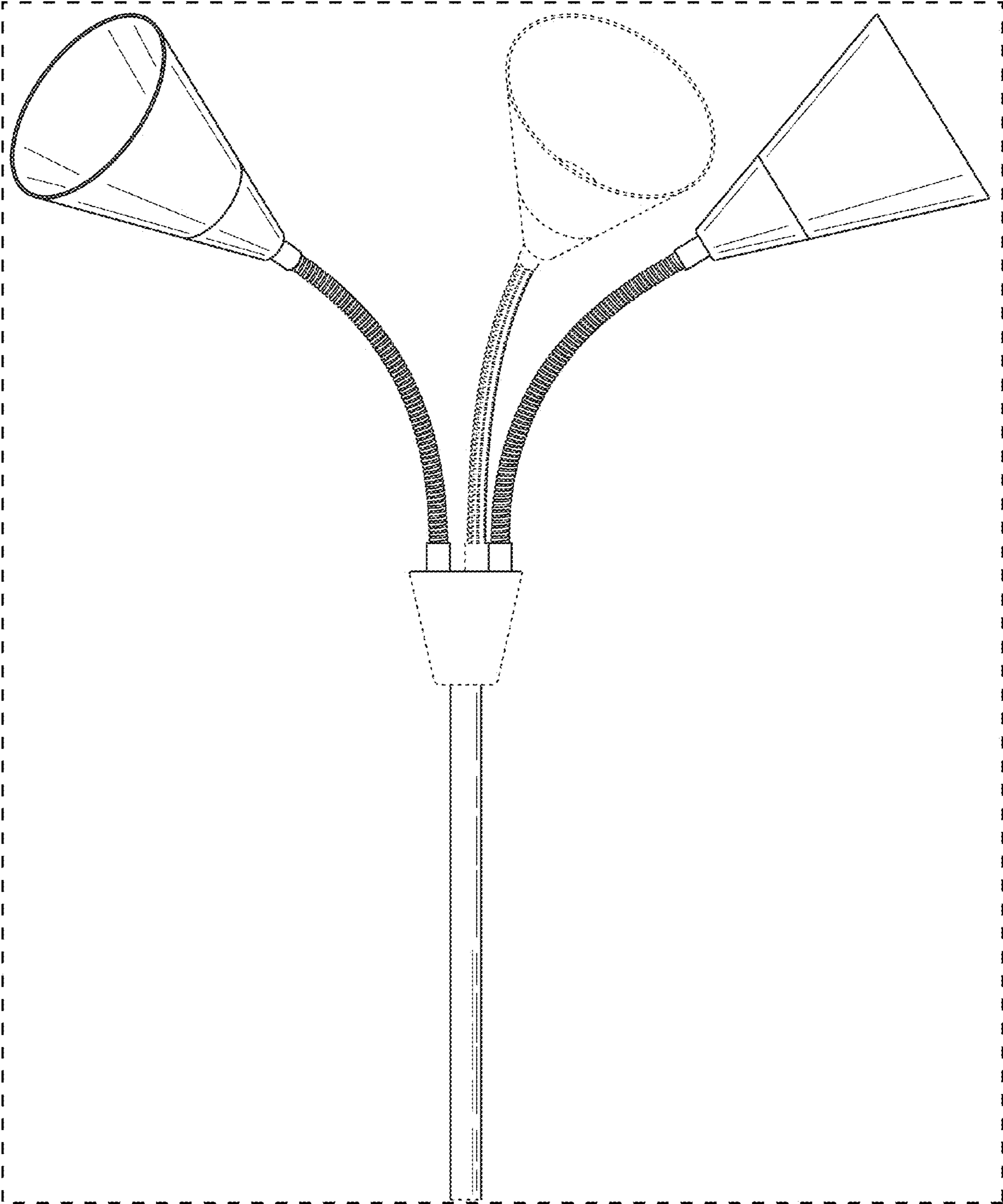


FIG. 12

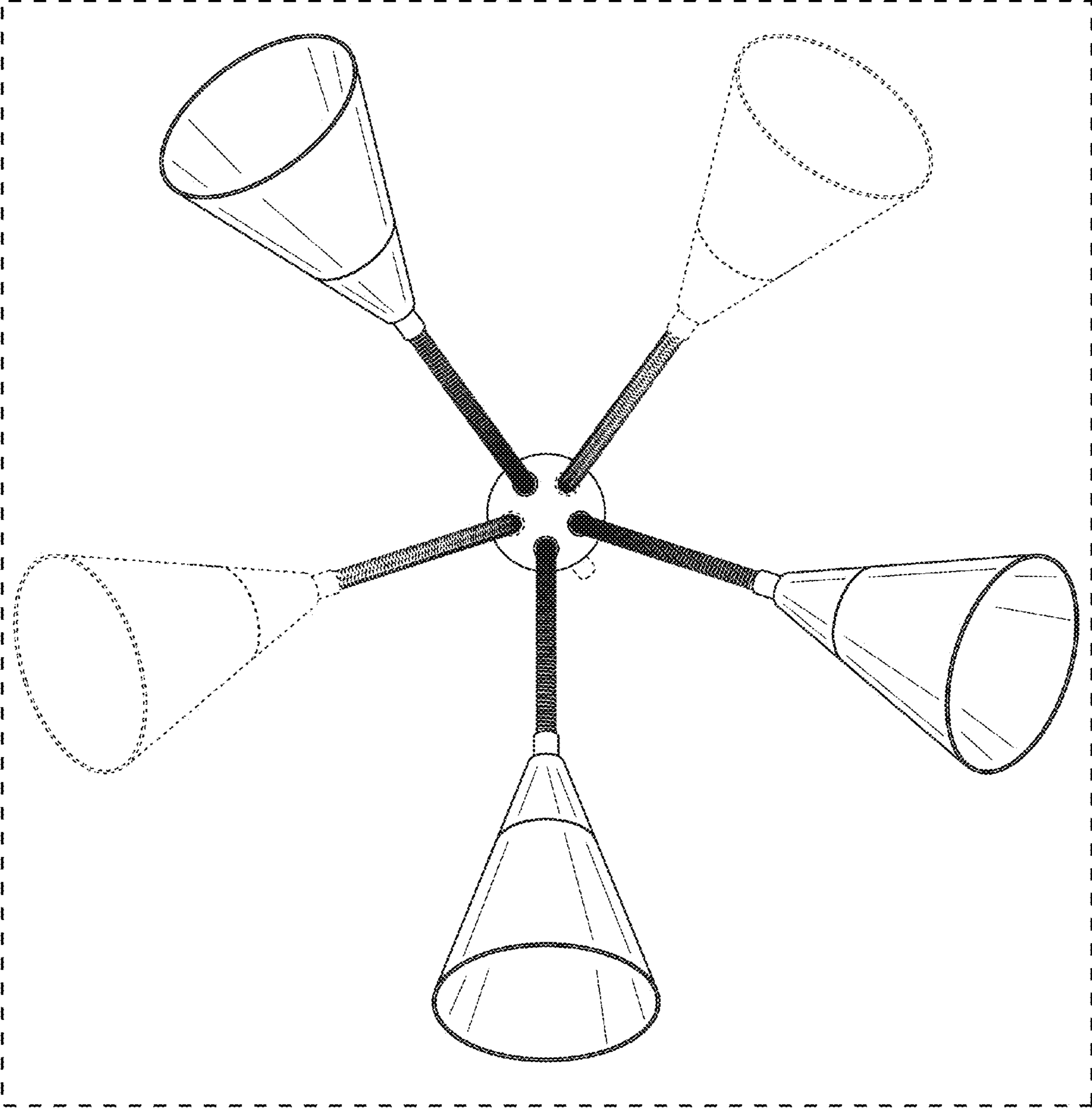


FIG. 13

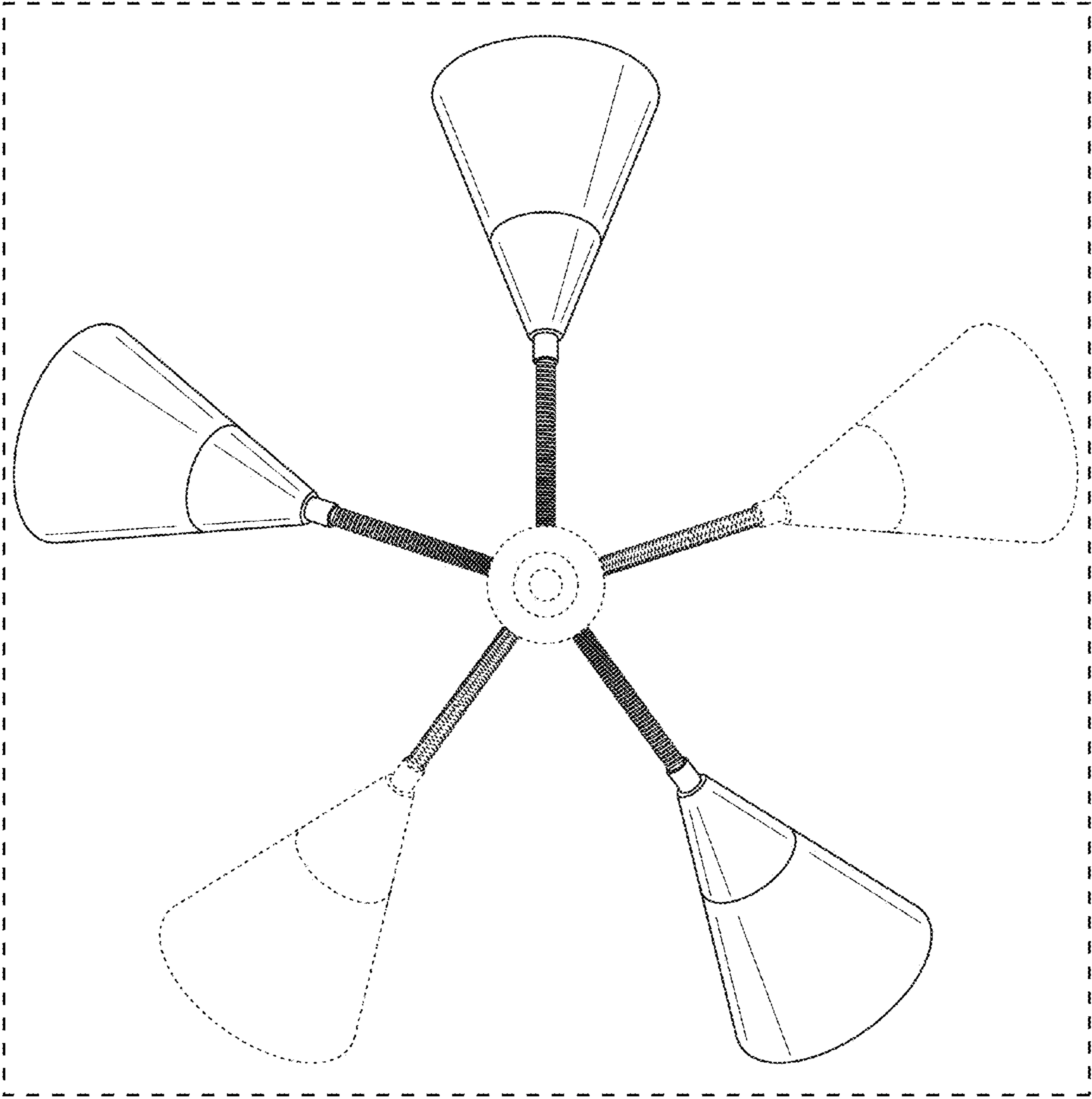


FIG. 14