



US00D989378S

(12) **United States Design Patent** (10) **Patent No.:** **US D989,378 S**
Tian (45) **Date of Patent:** **** Jun. 13, 2023**

(54) **PROJECTION LAMP**
(71) Applicant: **SHENZHEN PAWEIER ELECTRONIC COMMERCE CO., LTD.**, Shenzhen (CN)

D854,226 S 7/2019 Lin
D861,967 S 10/2019 Lin
D867,651 S 11/2019 Altamura et al.
D901,065 S 11/2020 Wang
D901,908 S * 11/2020 Zhao D6/309
D916,354 S * 4/2021 Sánchez González D26/93
D931,515 S * 9/2021 Zhang D26/63
D944,442 S * 2/2022 Chen D26/93
D946,199 S * 3/2022 Cai D26/93

(72) Inventor: **Gege Tian**, Shenzhen (CN)
(**) Term: **15 Years**

FOREIGN PATENT DOCUMENTS

(21) Appl. No.: **29/776,111**

GB 6156951 * 8/2021

(22) Filed: **Mar. 28, 2021**

OTHER PUBLICATIONS

(51) **LOC (14) Cl.** **26-05**

(52) **U.S. Cl.**
USPC **D26/93**

Amazon, "SOLLA Sunset Projection RGB lamp", first available Apr. 27, 2021. (<https://www.amazon.com/dp/B093L82CXK/?th=1>) (Year: 2021).*

(58) **Field of Classification Search**
USPC D26/1, 24, 93, 104
CPC F21L 2/00; F21L 4/00; F21L 4/02; F21L 4/025; F21L 4/027; F21L 14/00; F21S 2/00; F21S 8/03; F21S 8/033; F21S 6/00; F21S 6/002; F21S 6/004; F21S 8/036; F21S 8/037; F21S 9/00; F21S 9/02; F21V 21/10; F21V 21/108; F21W 2121/008
See application file for complete search history.

(Continued)

Primary Examiner — Leanne Was-Englehart
Assistant Examiner — Justin A Johnson

(57) **CLAIM**

The ornamental design for a projection lamp, as shown and described.

(56) **References Cited**

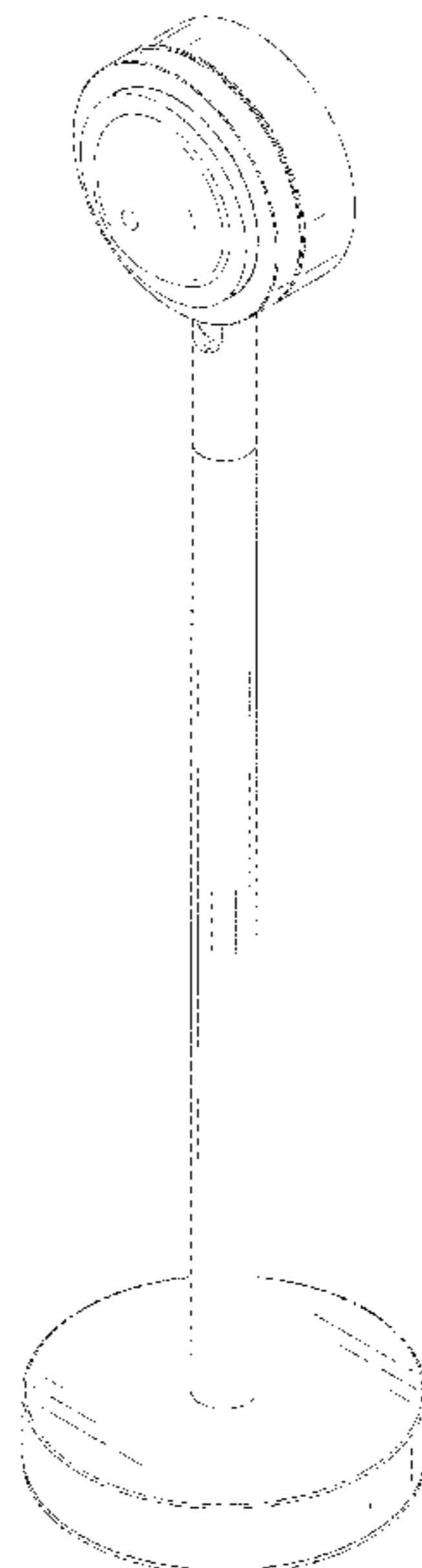
DESCRIPTION

U.S. PATENT DOCUMENTS

D485,929 S * 1/2004 Cvek D26/65
7,048,406 B1 * 5/2006 Shih A45D 42/10
362/135
D557,449 S * 12/2007 Chow D26/93
D589,206 S * 3/2009 Sabernig D26/93
D624,689 S * 9/2010 Kao D26/69
D645,198 S * 9/2011 Waldmann D26/93
D797,975 S * 9/2017 Lentine D26/63
9,752,761 B2 * 9/2017 Lentine F21S 10/007
D820,490 S 6/2018 Altamura et al.
D838,890 S 1/2019 Xiong
D841,210 S 2/2019 Ye et al.
D846,784 S 4/2019 Luo

FIG. 1 is a front, right side, top perspective view of a projection lamp showing my new design;
FIG. 2 is a front elevational view thereof;
FIG. 3 is a rear elevational view thereof;
FIG. 4 is a left side elevational view thereof;
FIG. 5 is a right side elevational view thereof;
FIG. 6 is a top plan view thereof; and,
FIG. 7 is a bottom plan view thereof.
The broken lines depict portions of the projection lamp that form no part of the claimed design.

1 Claim, 7 Drawing Sheets



(56)

References Cited

OTHER PUBLICATIONS

Amazon, "Generic Sunset Lamp", first available Oct. 7, 2021.

(<https://www.amazon.com/dp/B09H7642KZ/>) (Year: 2021).*

Amazon, "LYJYY Sunset Lamp Projector", first available Jun. 13, 2021. (<https://www.amazon.com/dp/B096B5SRM6/?th=1>) (Year: 2021).*

Amazon, "Guteauto Sunset Lamp", first available May 6, 2021. (<https://www.amazon.com/dp/B09499SGGC/>) (Year: 2021).*

* cited by examiner

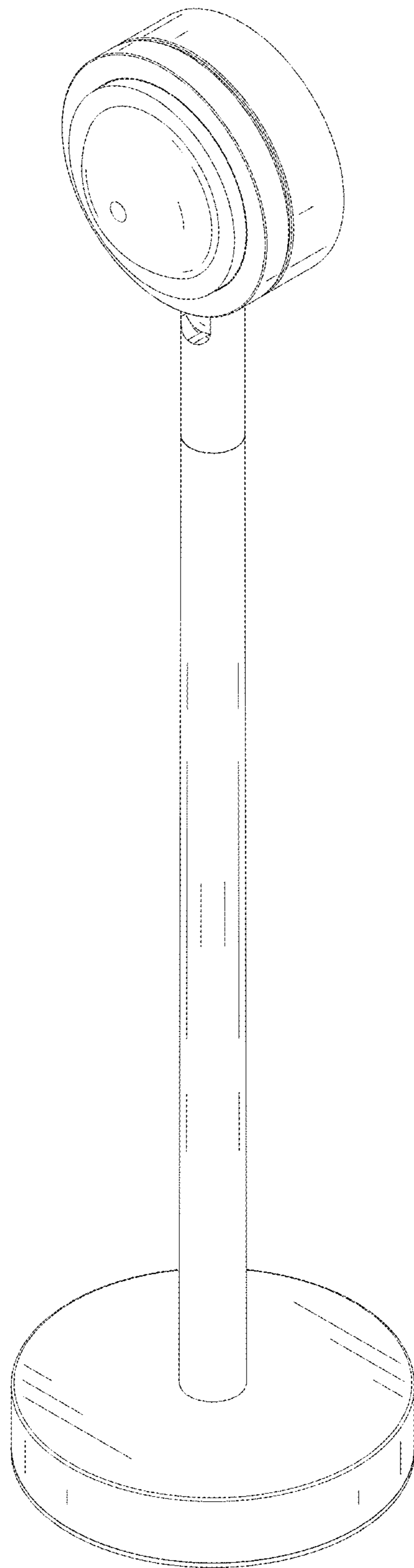


FIG.1

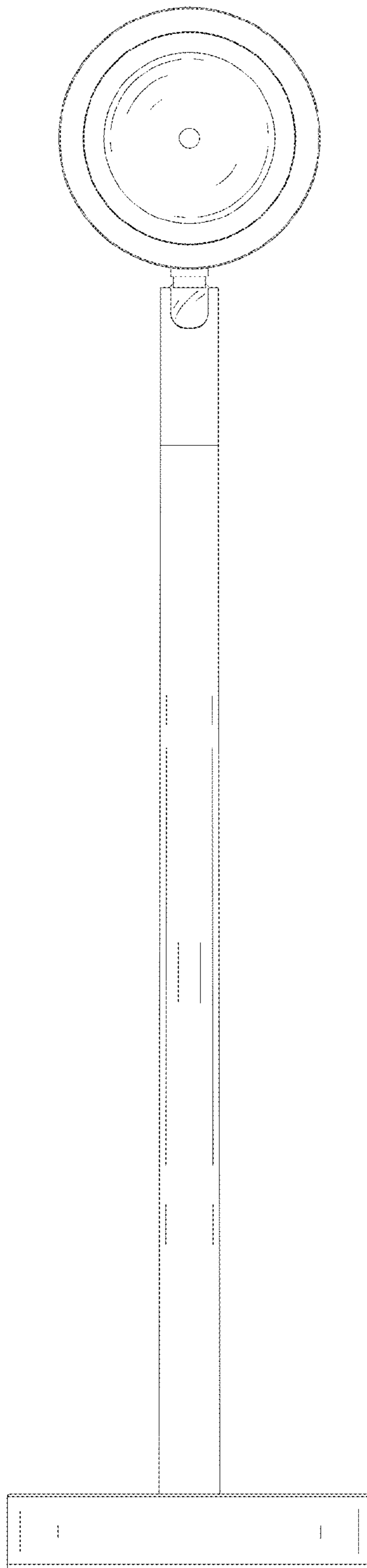


FIG.2

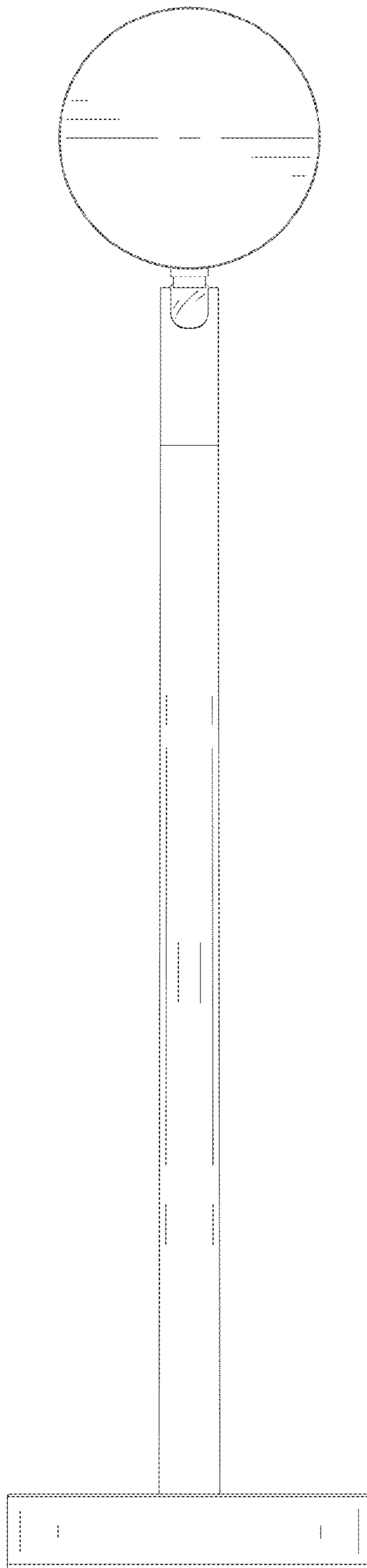


FIG. 3

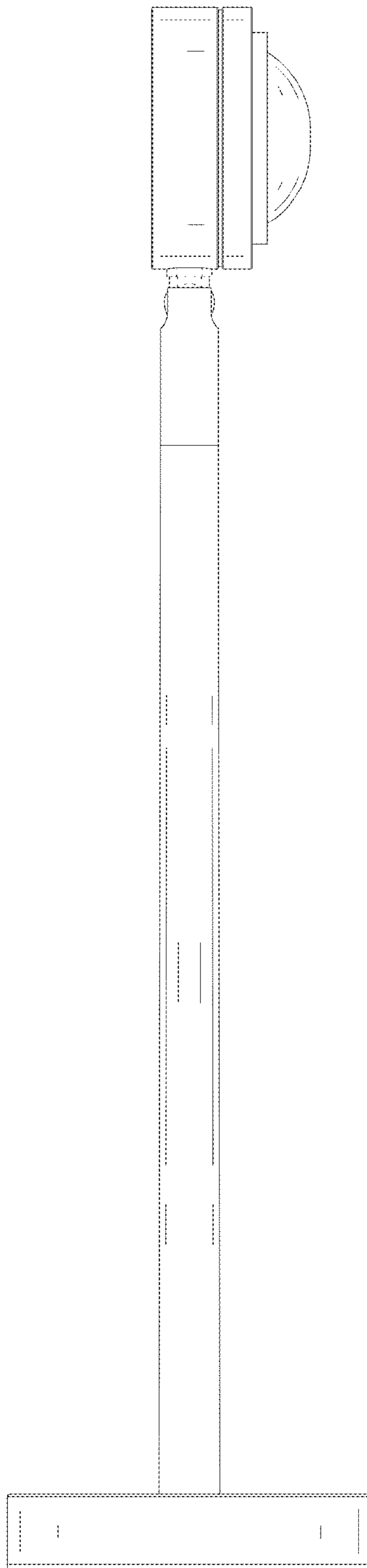


FIG. 4

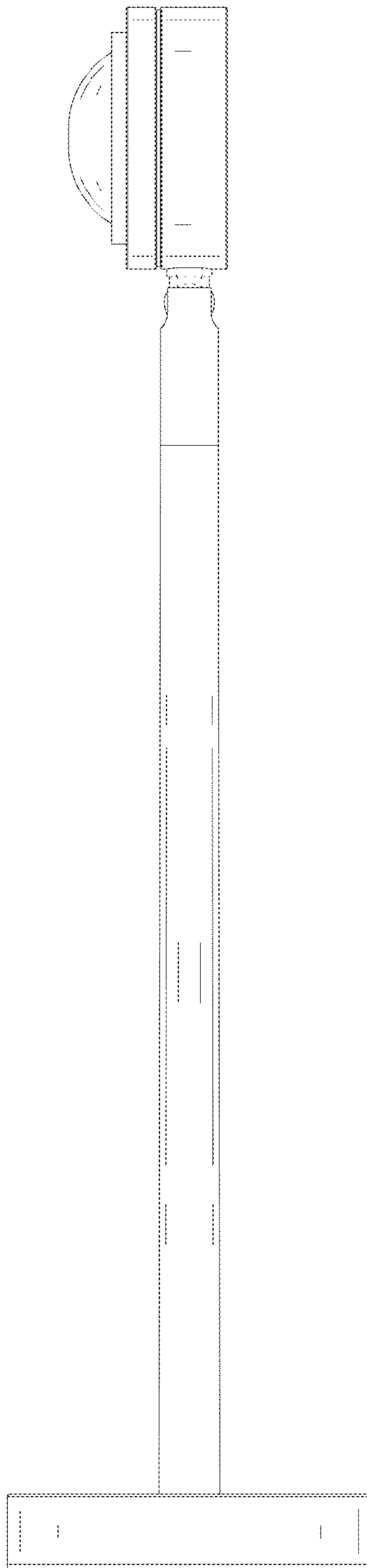


FIG. 5

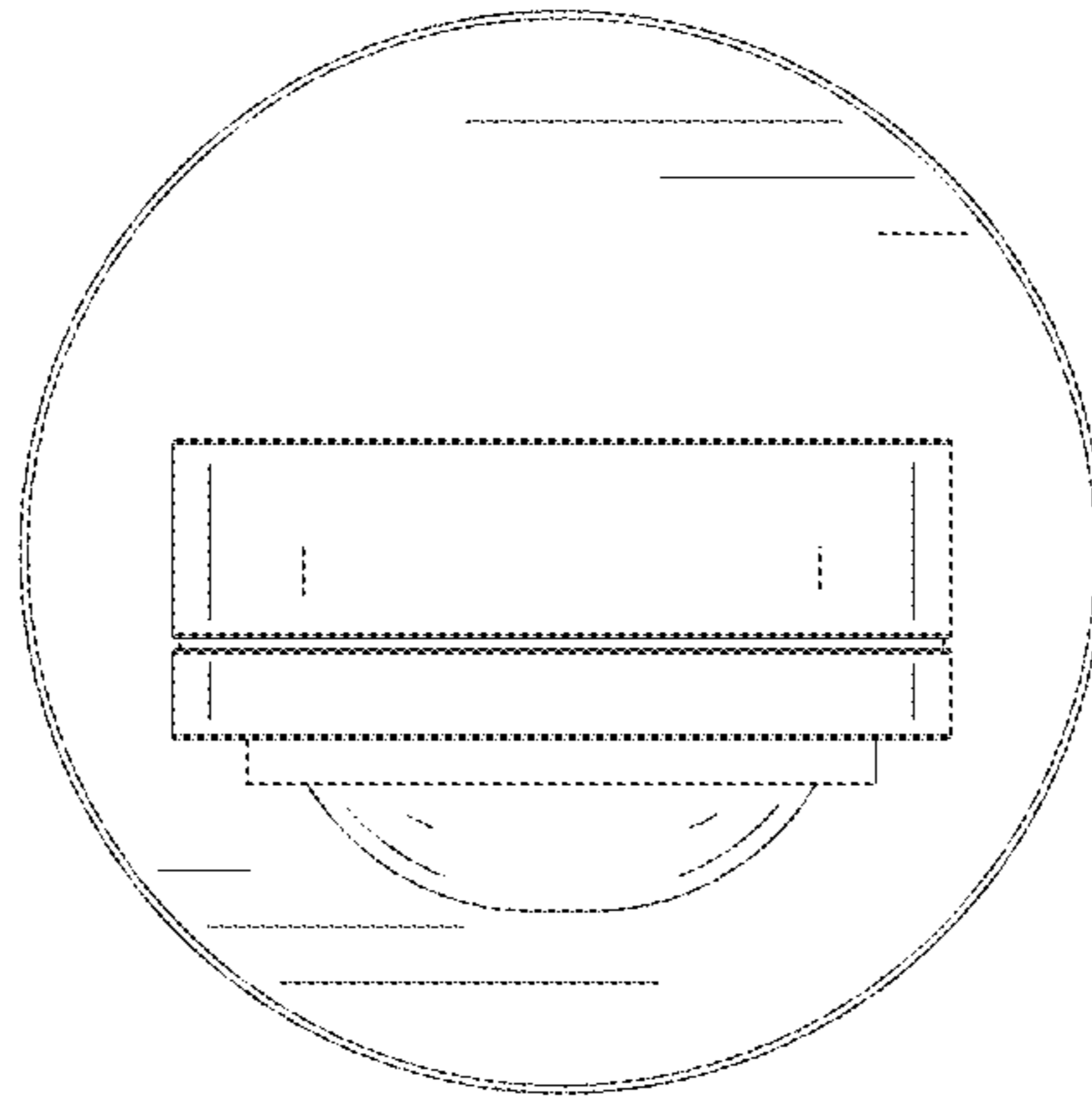


FIG. 6

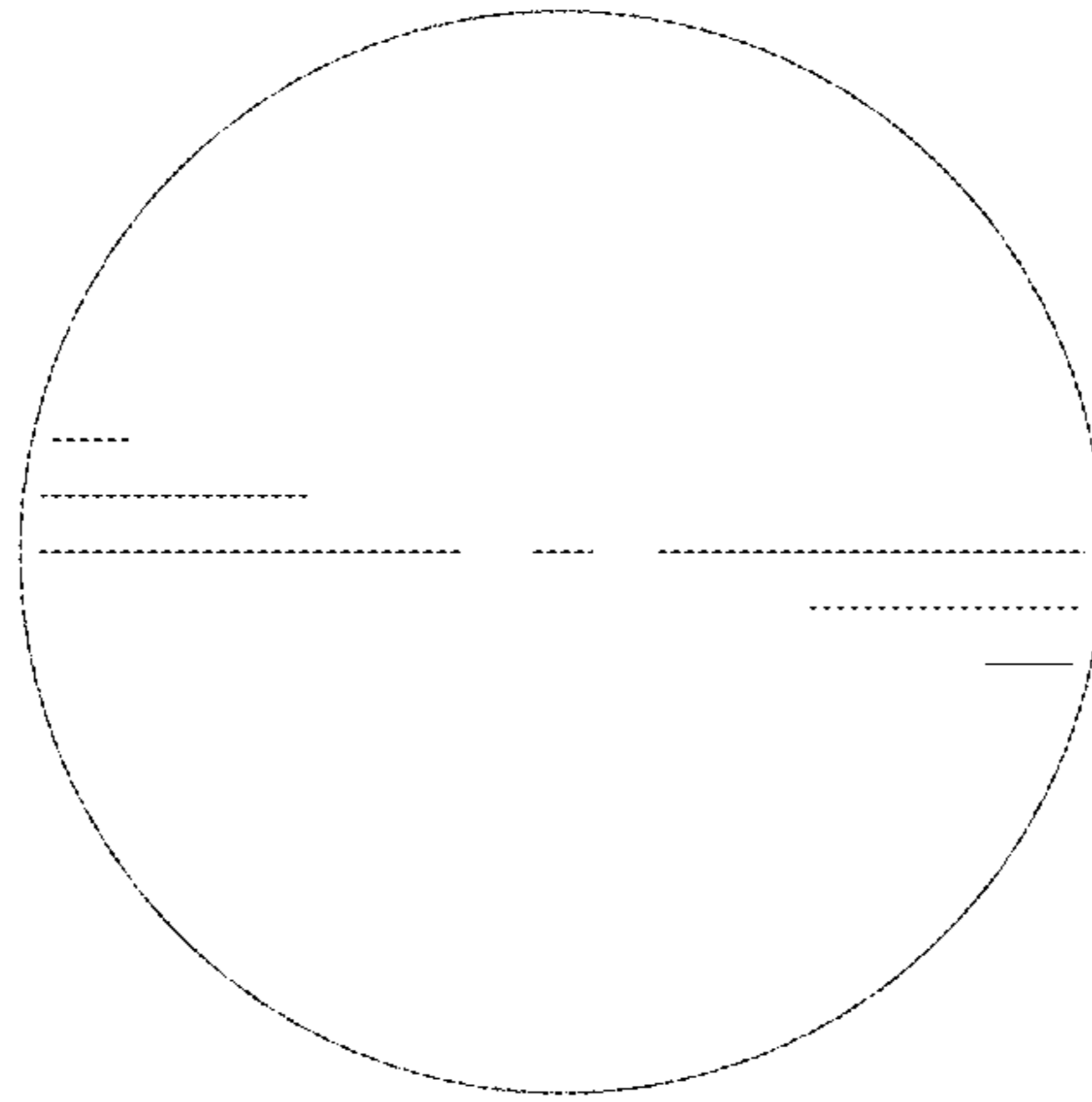


FIG.7