



US00D989376S

(12) **United States Design Patent**
Burkhart et al.

(10) **Patent No.:** **US D989,376 S**

(45) **Date of Patent:** **** Jun. 13, 2023**

(54) **CULTIVATION LIGHT**

F21H 1/02; F21H 1/04; F21H 5/00;
H01K 7/00; H01K 7/02; A01G 7/045

See application file for complete search history.

(71) Applicants: **Brandon Burkhart**, Mira Loma, CA
(US); **Thomas O'Connor**, Mira Loma,
CA (US)

(56) **References Cited**

U.S. PATENT DOCUMENTS

(72) Inventors: **Brandon Burkhart**, Mira Loma, CA
(US); **Thomas O'Connor**, Mira Loma,
CA (US)

D494,700 S *	8/2004	Hartman	D26/76
D819,875 S *	6/2018	Yorio	D26/118
D881,440 S *	4/2020	Zhu	D26/76
D910,898 S *	2/2021	Chen	D26/76
D923,850 S *	6/2021	Liu	D26/76
D928,381 S *	8/2021	Xia	D26/76
D945,043 S *	3/2022	Chen	D26/76
D945,044 S *	3/2022	Chen	D26/76
D949,454 S *	4/2022	Burkhart	D26/76
D955,027 S *	6/2022	Lauck	D26/76

(Continued)

(73) Assignee: **HGCI, Inc.**, Las Vegas, NV (US)

(**) Term: **15 Years**

(21) Appl. No.: **29/834,656**

FOREIGN PATENT DOCUMENTS

(22) Filed: **Apr. 13, 2022**

CN 306120463 * 5/2020

Related U.S. Application Data

(63) Continuation of application No. 29/732,193, filed on
Apr. 22, 2020, now Pat. No. Des. 949,454.

(51) **LOC (14) Cl.** **26-04**

(52) **U.S. Cl.**
USPC **D26/76**

(58) **Field of Classification Search**
USPC D26/1, 2, 6, 7, 9, 10, 12, 16, 19, 20, 22,
D26/23, 24, 113

CPC F21S 2/00; F21S 8/00; F21S 8/026; F21S
8/03; F21S 8/033; F21S 8/035; F21S
6/00; F21S 6/001; F21S 6/002; F21S
6/004; F21S 8/036; F21S 8/037; F21S
9/00; F21S 9/02; F21L 4/00; F21L 4/02;
F21L 4/025; F21L 4/027; F21L 14/00;
F21V 21/10; F21V 21/108; F21V 35/00;
F21V 35/003; F21V 35/006; F21W
2121/008; F21W 2121/00; F21H 1/00;

OTHER PUBLICATIONS

Instagram, "Luxlighting", first available Dec. 18, 2019. (<https://www.instagram.com/p/B6N5JFyhWhS/>) (Year: 2019).*

(Continued)

Primary Examiner — Leanne Was-Englehart

Assistant Examiner — Justin A Johnson

(57) **CLAIM**

We claim the ornamental design for a cultivation light, as shown and described.

DESCRIPTION

FIG. 1 is a top, front isometric view of a cultivation light, showing our new design.

FIG. 2 is a front elevation view thereof.

FIG. 3 is a rear elevation view thereof.

FIG. 4 is an enlarged left side elevation view thereof.

FIG. 5 is an enlarged right side elevation view thereof.

FIG. 6 is a top plan view thereof; and,

(Continued)

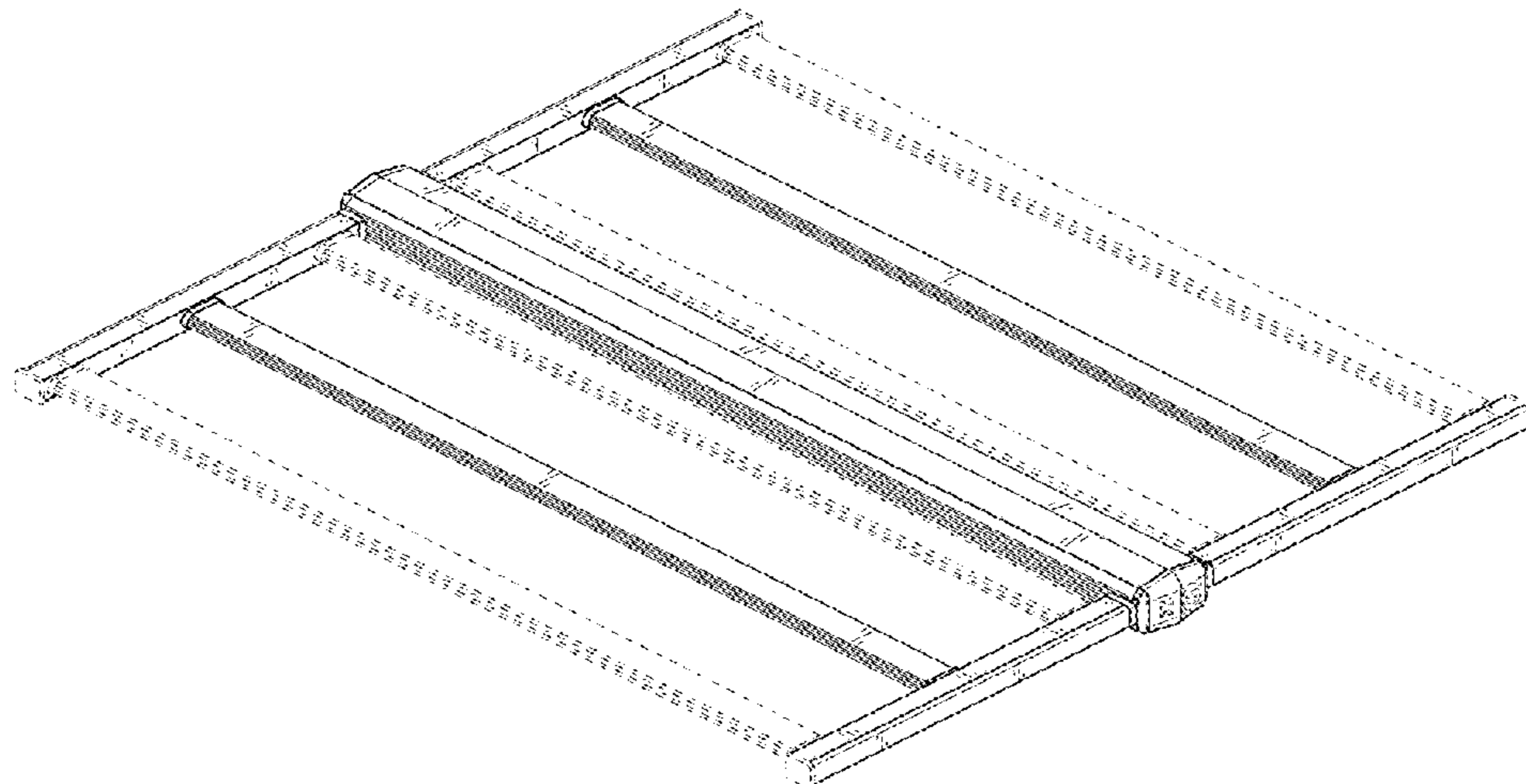


FIG. 7 is a bottom plan view thereof.
The broken lines illustrate unclaimed portions of the cultivation light that form no part of the claimed design.

1 Claim, 5 Drawing Sheets

(56) **References Cited**

U.S. PATENT DOCUMENTS

D964,630 S * 9/2022 Wang D26/76
11,435,068 B1 * 9/2022 Ding F21V 21/24
D970,783 S * 11/2022 Liu D26/76

OTHER PUBLICATIONS

Amazon, "Hyphotonflux HPF4000 LED Grow Lights", first available Aug. 20, 2020. (<https://www.amazon.com/dp/B08G85XXKG/>) (Year: 2020).*

Amazon, "Dephen 660W LED Grow Lights", first available Mar. 23, 2021. (<https://www.amazon.com/Lights-3-9x3-6ft-Indoor-Spectrum-Commercial-LED-Plant-Light-Foldable-Dimmable-Daisy/dp/B08ZSCN5BC/>) (Year: 2021).*

Amazon, "AGL V6 Pro LED Grow Light", first available Jan. 28, 2021. (<https://www.amazon.com/AGL-Hydroponics-Commercial-Horticulture-Greenhouse/dp/B08V87XCMP/>) (Year: 2021).*

* cited by examiner

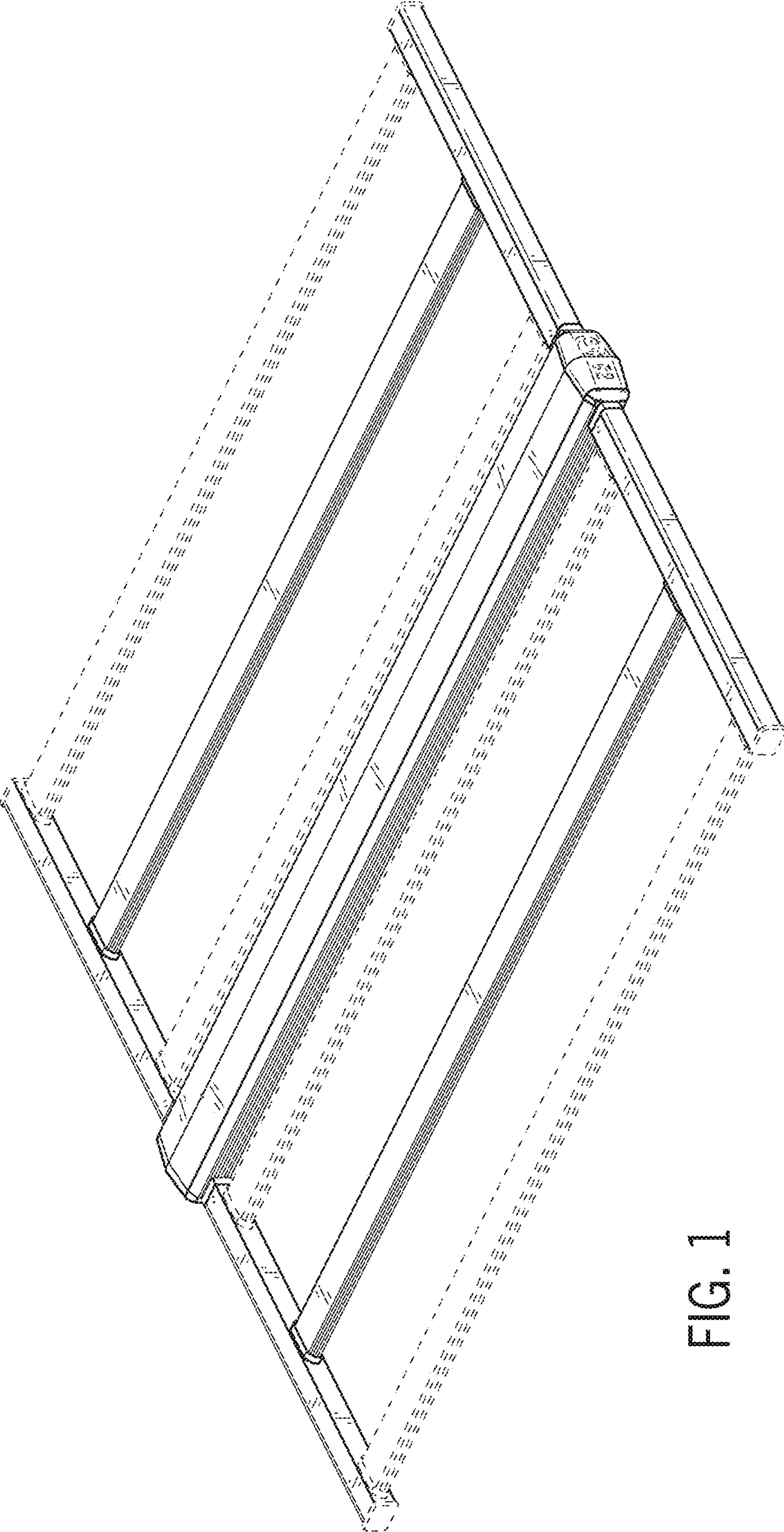


FIG. 1



FIG. 2



FIG. 3

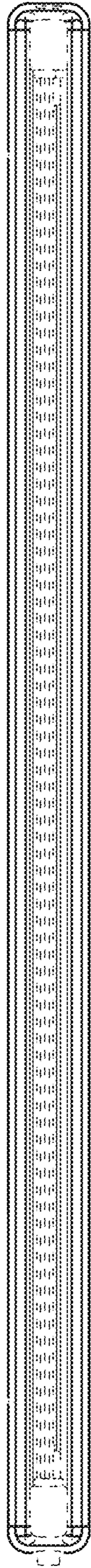


FIG. 4

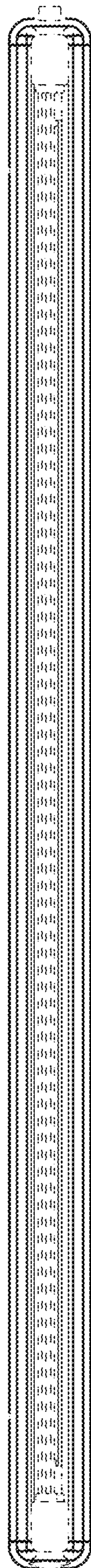


FIG. 5

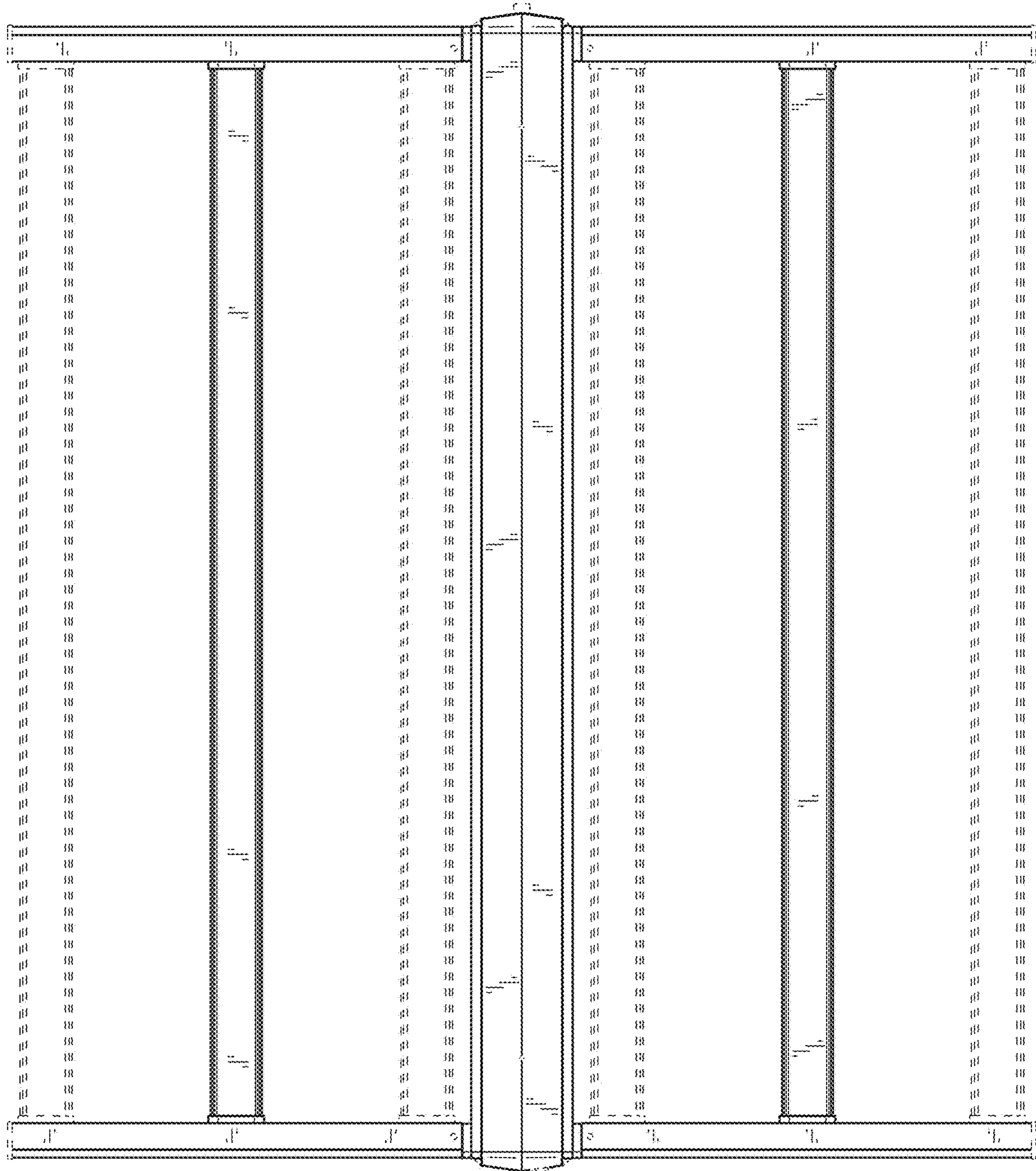


FIG. 6

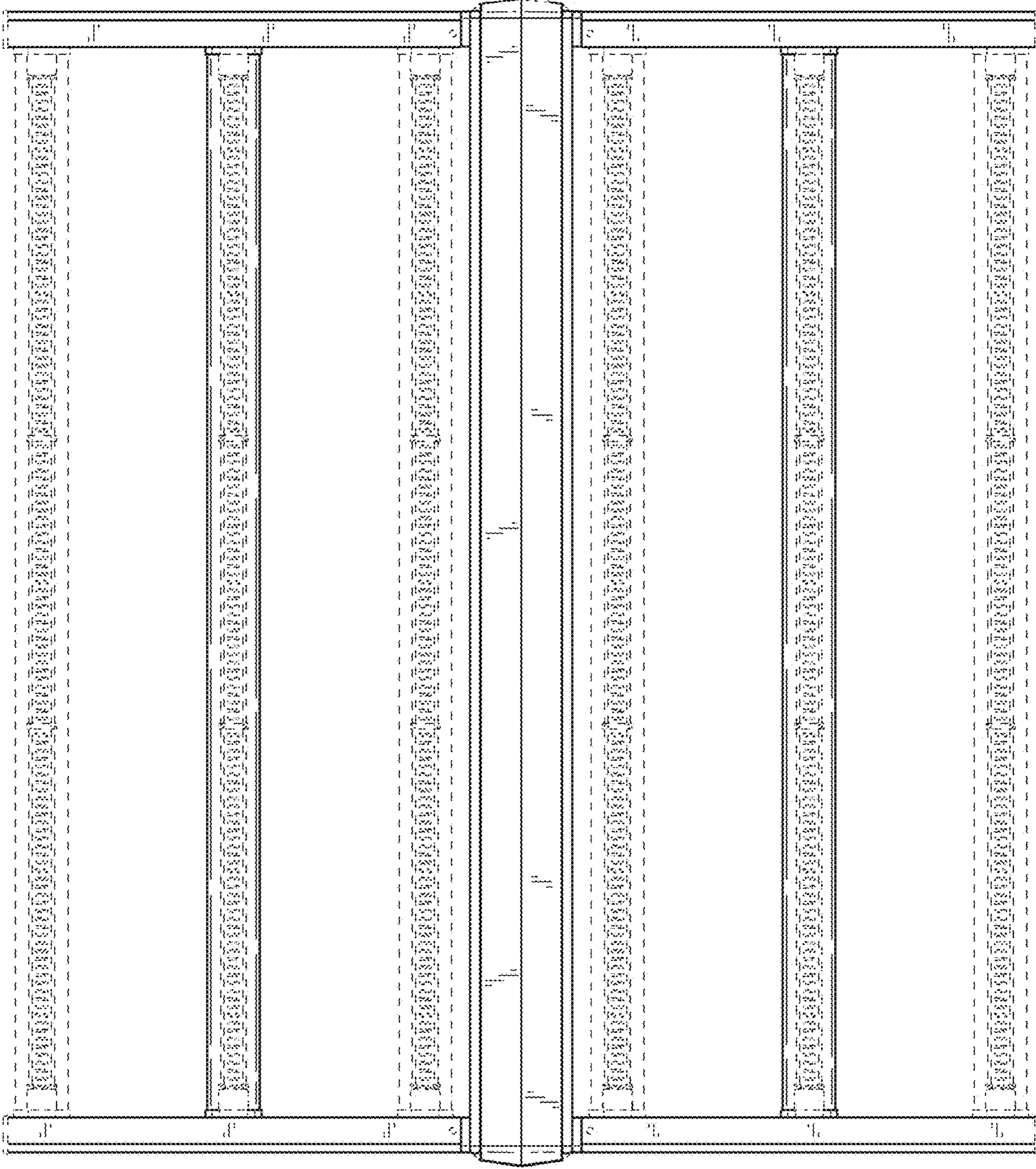


FIG. 7