



US00D989374S

(12) **United States Design Patent**  
**Chen et al.**

(10) **Patent No.:** **US D989,374 S**  
(45) **Date of Patent:** **\*\* Jun. 13, 2023**

(54) **LAMP BRACKET**

(71) Applicant: **LUMLUX CORP.**, Jiangsu (CN)

(72) Inventors: **Honghua Chen**, Jiangsu (CN); **Ming Qiu**, Jiangsu (CN)

(73) Assignee: **LUMLUX CORP.**, Suzhou (CN)

(\*\*) Term: **15 Years**

(21) Appl. No.: **29/749,459**

(22) Filed: **Sep. 4, 2020**

(51) **LOC (14) Cl.** ..... **26-05**

(52) **U.S. Cl.**  
USPC ..... **D26/72**

(58) **Field of Classification Search**  
USPC ..... **D26/13, 24, 25, 72, 75-77, 85, 90**  
(Continued)

(56) **References Cited**

**U.S. PATENT DOCUMENTS**

D881,440 S \* 4/2020 Zhu ..... D26/76  
10,619,807 B1 \* 4/2020 Flannery ..... E06B 9/02  
(Continued)

**FOREIGN PATENT DOCUMENTS**

CN 305718261 \* 4/2020  
CN 305890344 \* 6/2020  
EM 008156954-0001 \* 9/2020

**OTHER PUBLICATIONS**

“TopoGrow” reference by TopoGrow on Amazon.com, date first available Feb. 14, 2020 [online], site visited Jun. 23, 2022, available from internet URL: <https://www.amazon.com/TopoGrow-Replacing-California-Lightworks-SolarSystem/dp/B084TF7FZC> (Year: 2020).\*

*Primary Examiner* — Richard Kearney  
*Assistant Examiner* — Liv C Anderson

(57) **CLAIM**

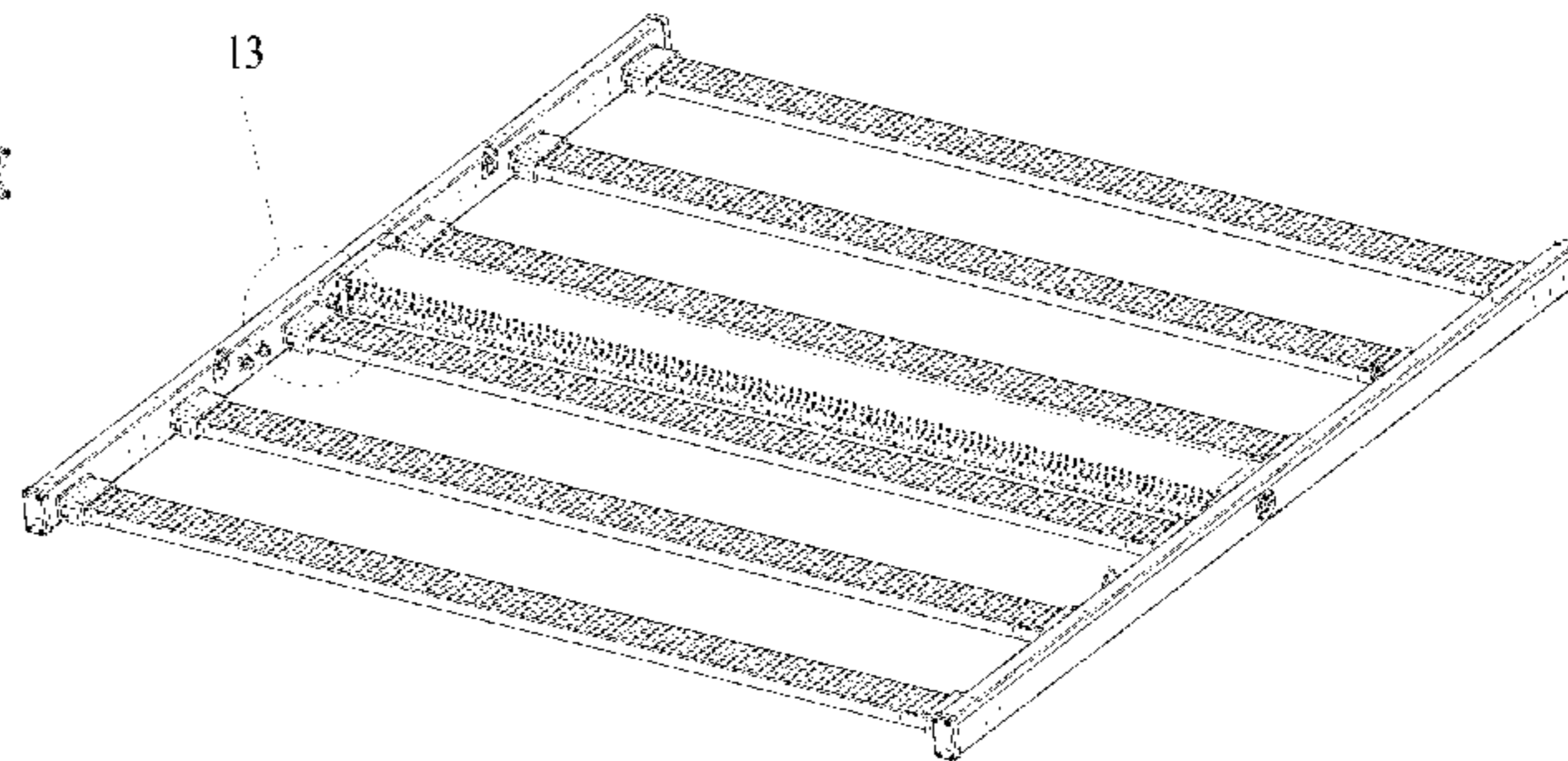
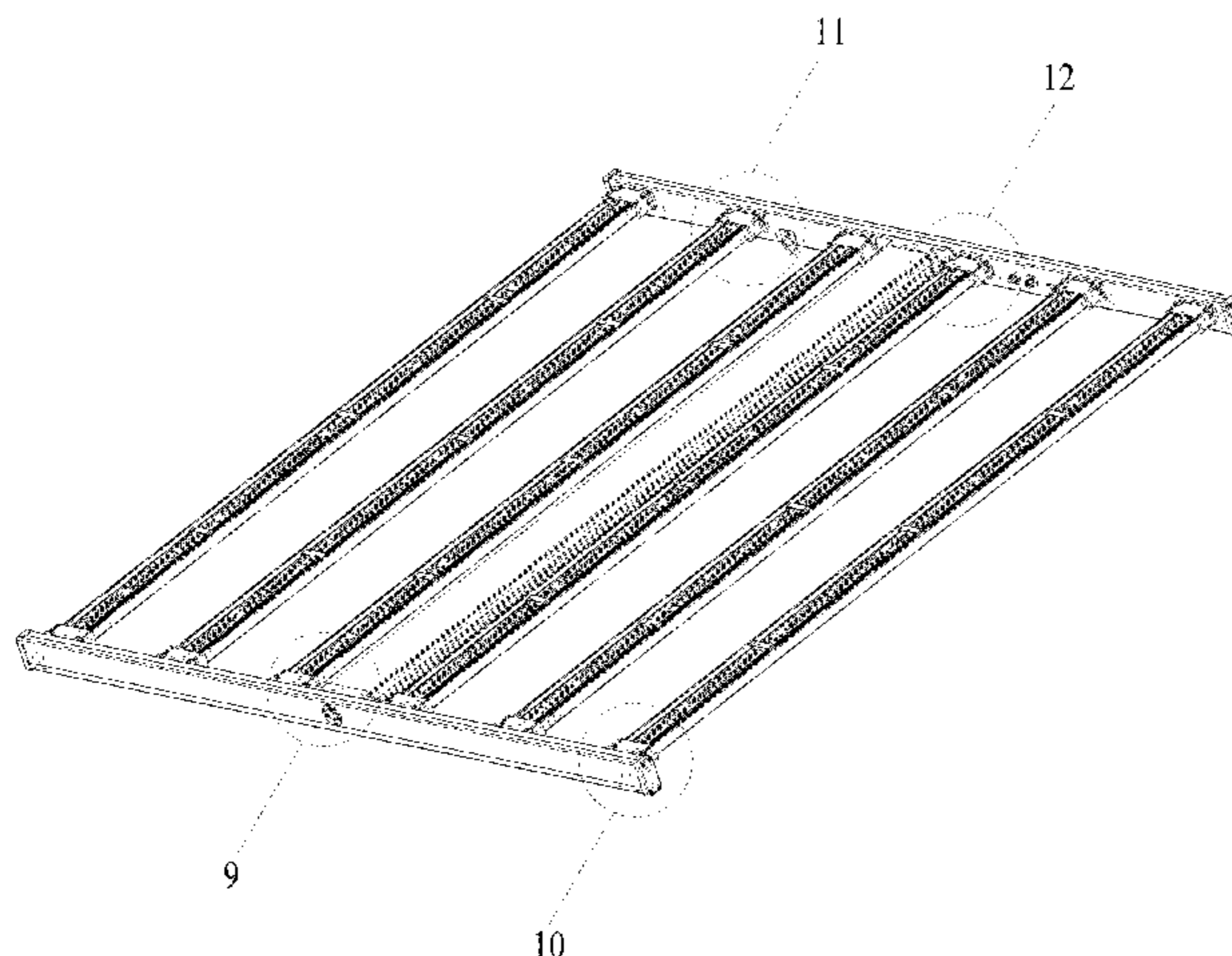
The ornamental design for a lamp bracket, as shown and described.

**DESCRIPTION**

FIG. 1 is a perspective view of a lamp bracket showing my new design;  
FIG. 2 is another perspective view thereof;  
FIG. 3 is a front view thereof;  
FIG. 4 is a rear view thereof;  
FIG. 5 is a top view thereof;  
FIG. 6 is a bottom view thereof;  
FIG. 7 is a left view thereof;  
FIG. 8 is a right view thereof;  
FIG. 9 is an enlarged view of the selected portion 9 in FIG. 1;  
FIG. 10 is an enlarged view of the selected portion 10 in FIG. 1;  
FIG. 11 is an enlarged view of the selected portion 11 in FIG. 1;  
FIG. 12 is an enlarged view of the selected portion 12 in FIG. 1;  
FIG. 13 is an enlarged view of the selected portion 13 in FIG. 2;  
FIG. 14 is an enlarged view of the selected portion 14 in FIG. 3;  
FIG. 15 is an enlarged view of the selected portion 15 in FIG. 4;  
FIG. 16 is an enlarged view of the selected portion 16 in FIG. 5;  
FIG. 17 is an enlarged view of the selected portion 17 in FIG. 6; and,  
FIG. 18 is an enlarged view of the selected portion 18 in FIG. 8.

The broken lines shown in the figures depict portions of the lamp bracket that form no part of the claimed design. The additional broken lines encircling the enlarged views in FIGS. 1-6, 8-18 are for annotative purposes and form no part of the claimed design.

**1 Claim, 16 Drawing Sheets**



(58) **Field of Classification Search**

CPC .... A01G 7/045; F21S 2/00; F21S 4/00; F21S  
4/28; F21S 8/00; F21S 8/03; F21S 8/031;  
F21S 8/036; F21S 8/04; F21S 8/043;  
F21S 8/06; F21S 8/061

See application file for complete search history.

(56) **References Cited**

U.S. PATENT DOCUMENTS

10,830,420	B2 *	11/2020	Van Der Schyf .....	E05D 3/02
D945,044	S *	3/2022	Chen .....	D26/76
D949,454	S *	4/2022	Burkhart .....	D26/76
D955,027	S *	6/2022	Lauck .....	D26/76
D964,630	S *	9/2022	Wang .....	D26/76
2018/0087755	A1 *	3/2018	Yorio .....	F21V 17/007
2019/0230868	A1 *	8/2019	Tao .....	A01G 7/045
2020/0041109	A1 *	2/2020	Van Der Schyf .....	F21V 21/14
2020/0060105	A1 *	2/2020	Tsivikis .....	A01G 25/09
2020/0300447	A1 *	9/2020	Luo .....	F21V 21/30
2021/0310635	A1 *	10/2021	Daly .....	F21S 8/061

\* cited by examiner

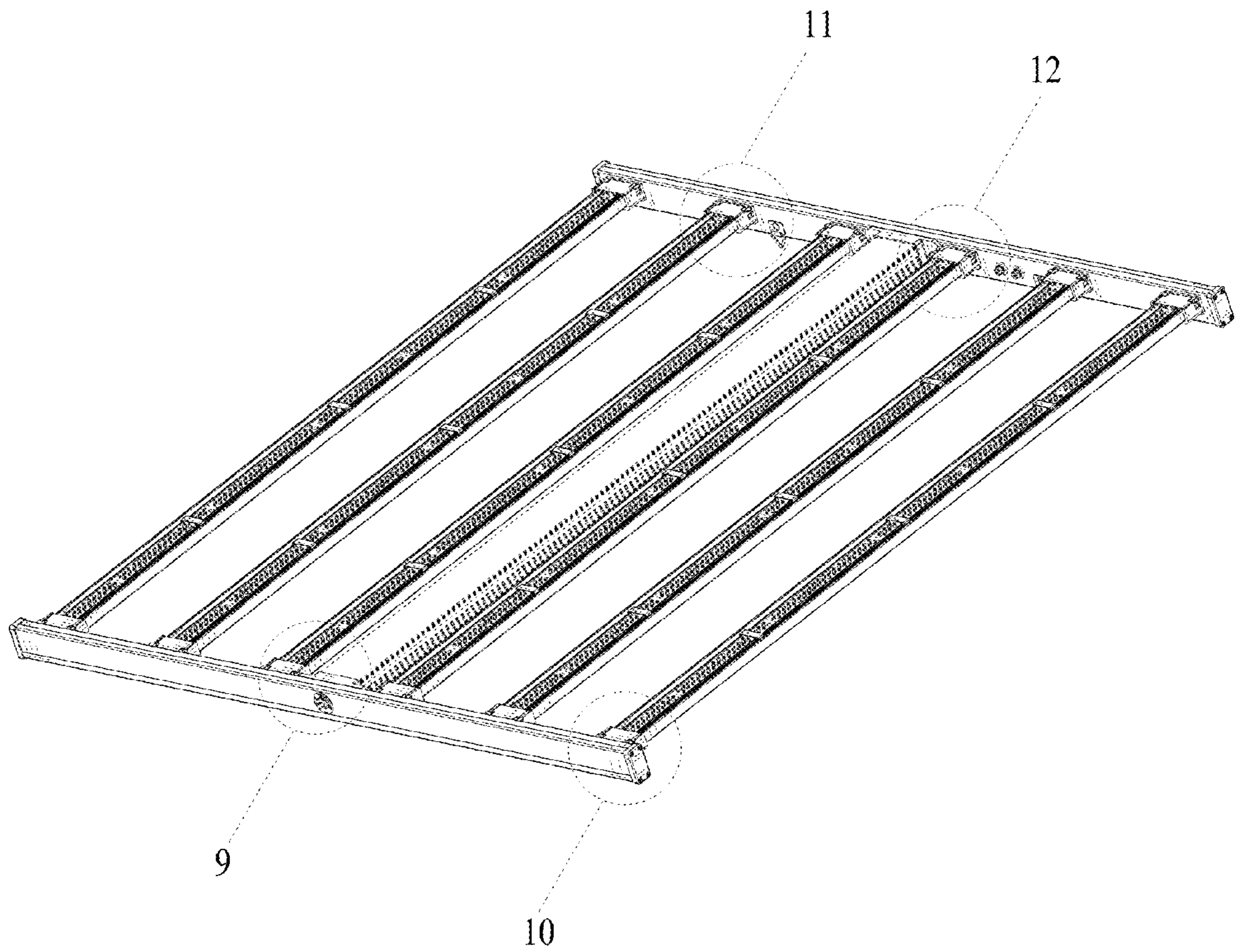


FIG. 1

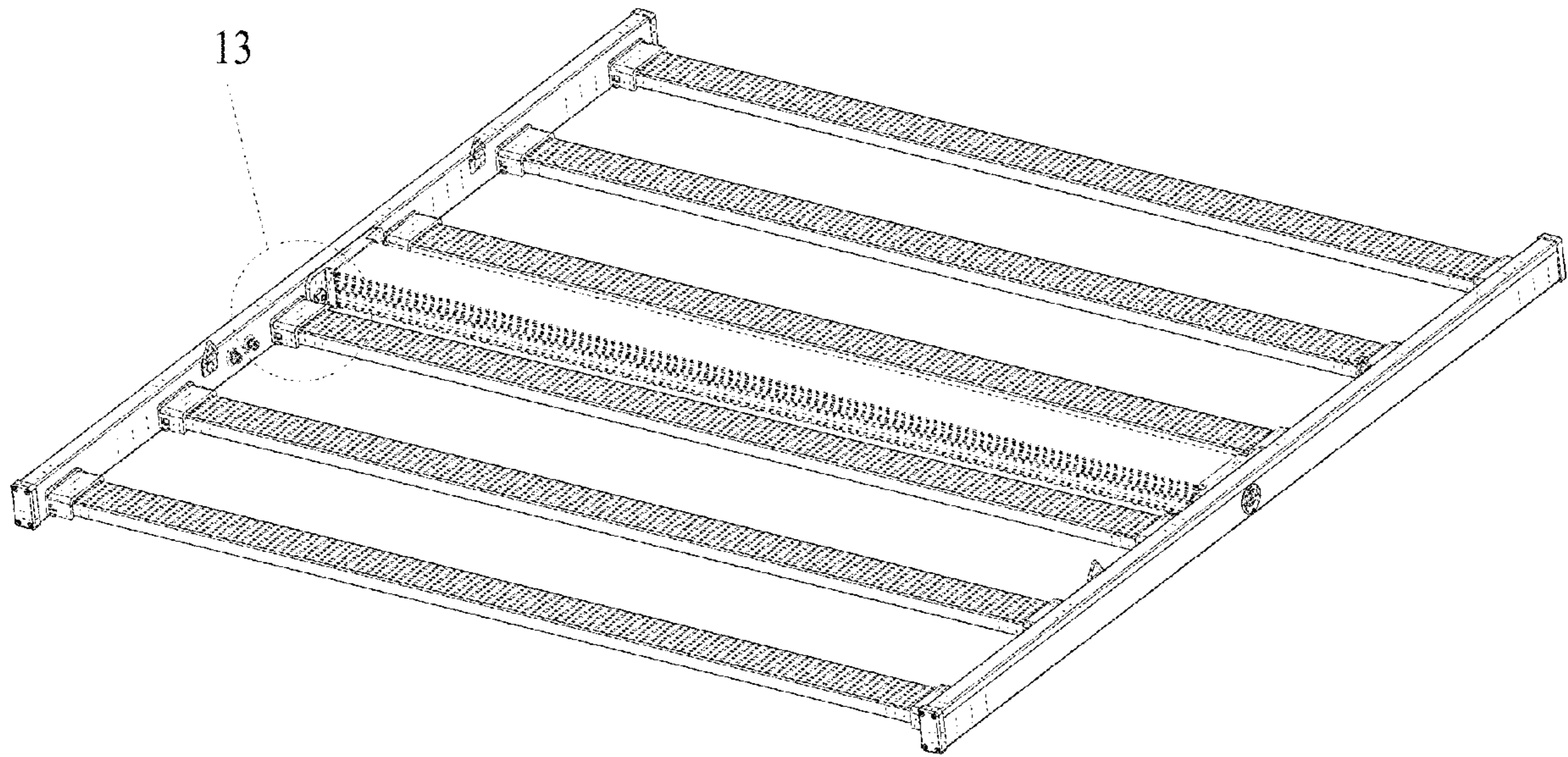


FIG. 2

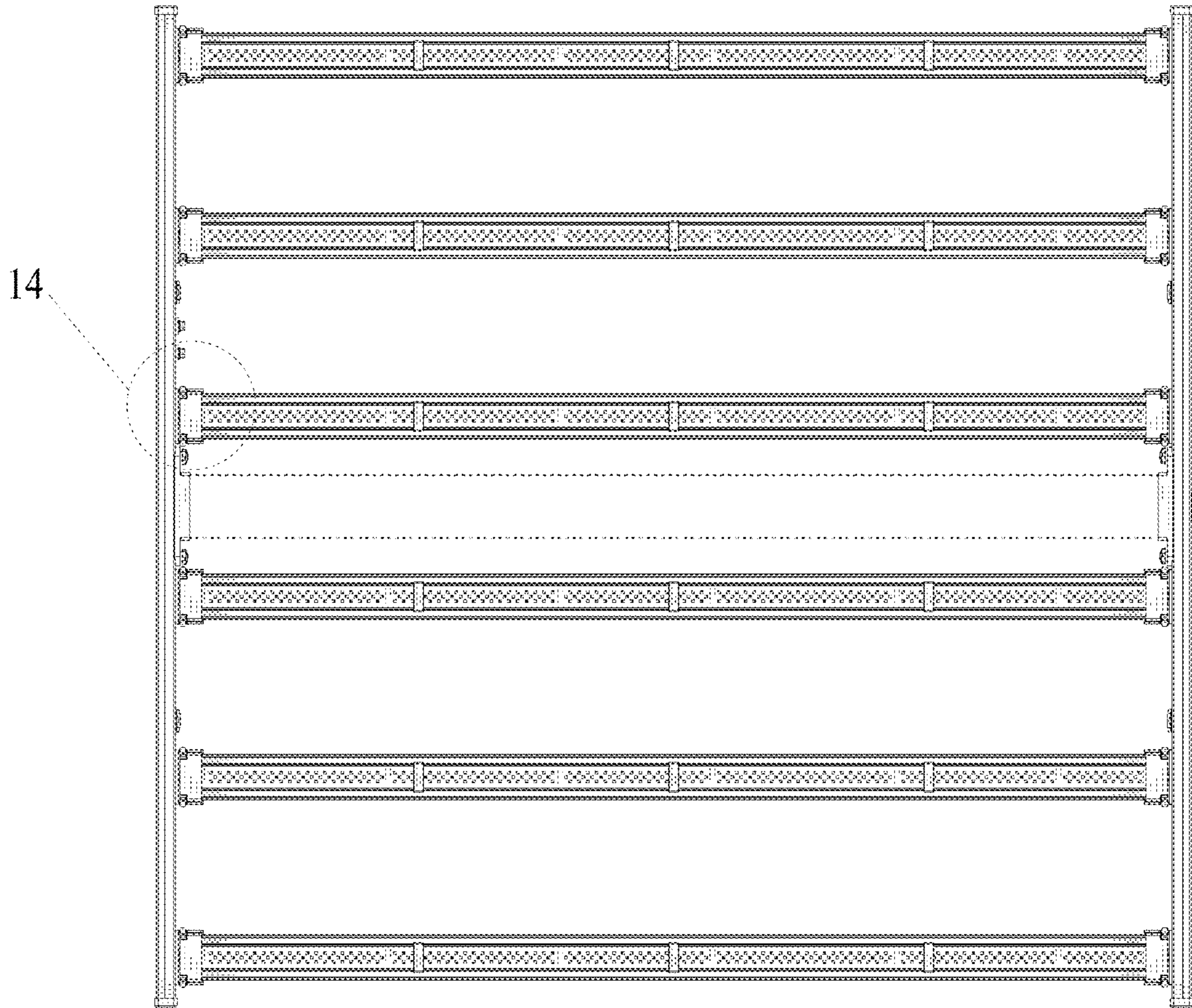


FIG. 3



FIG. 4

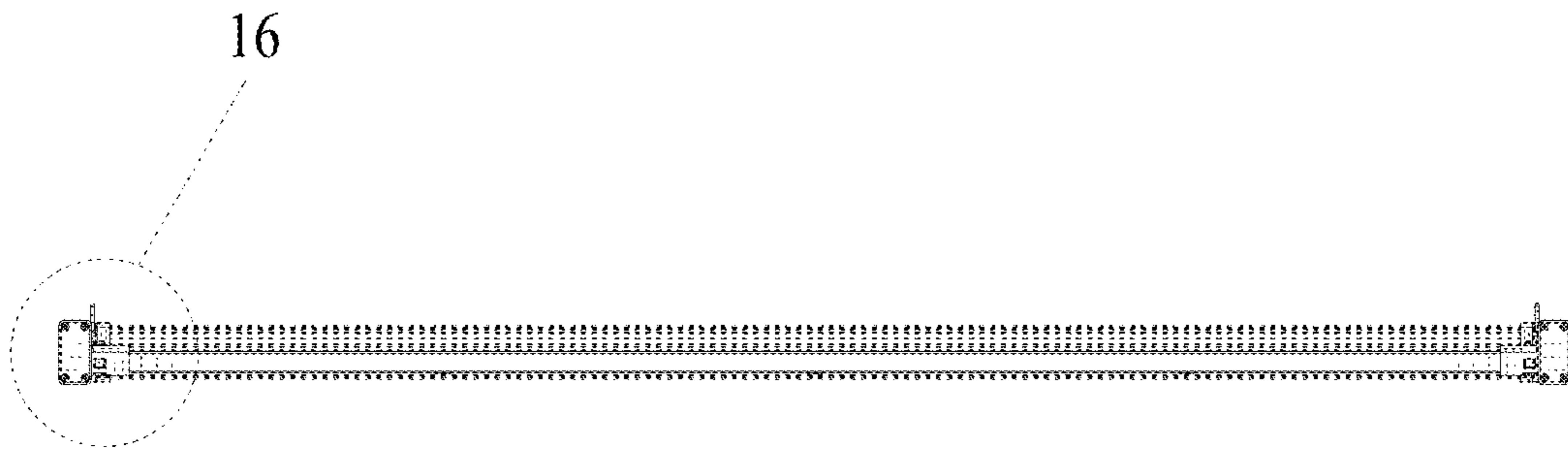


FIG. 5



FIG. 6

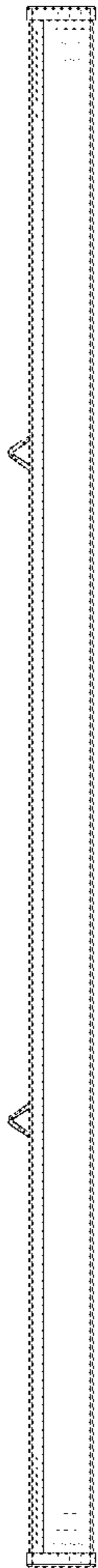


FIG. 7

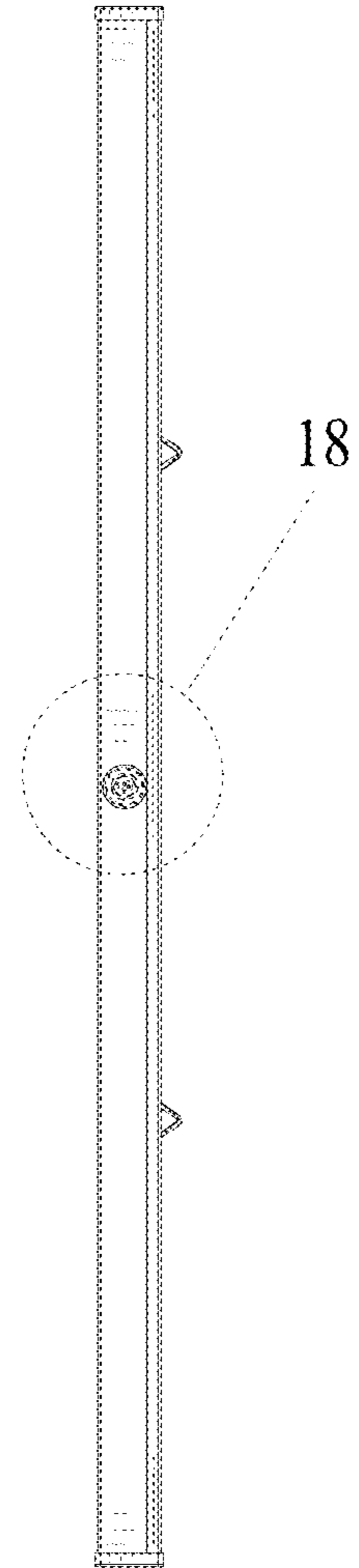


FIG. 8



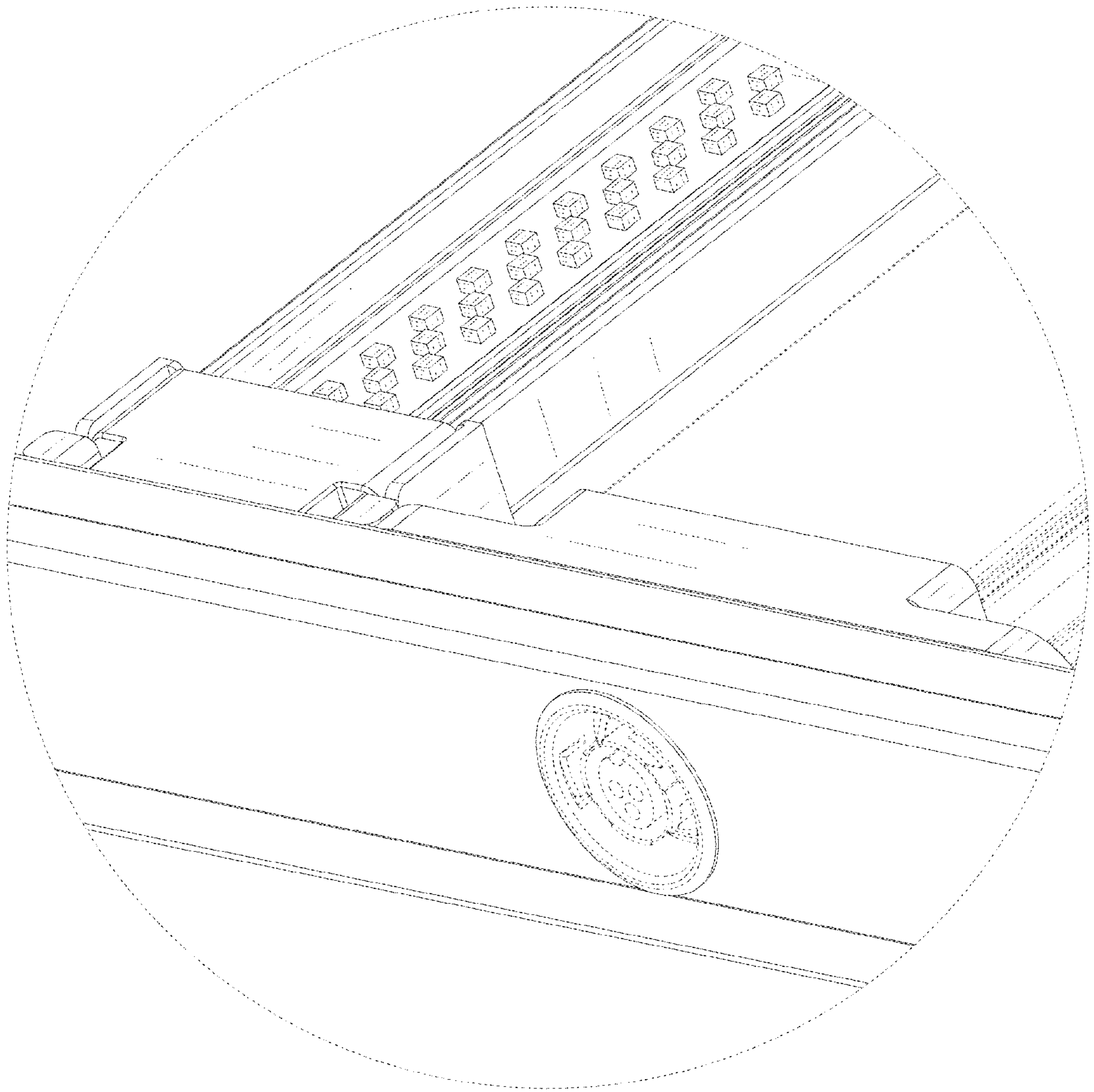


FIG. 9

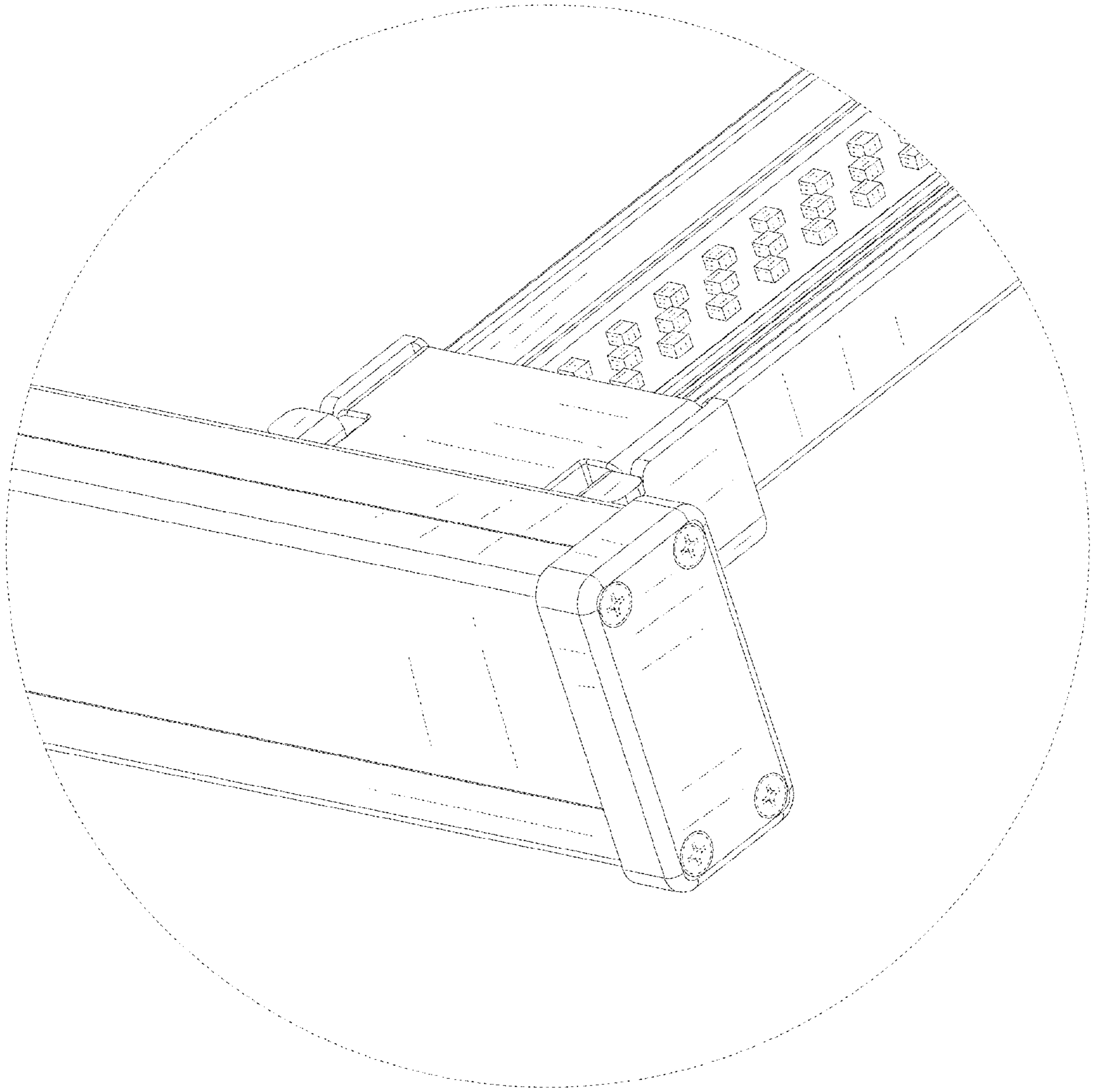


FIG. 10

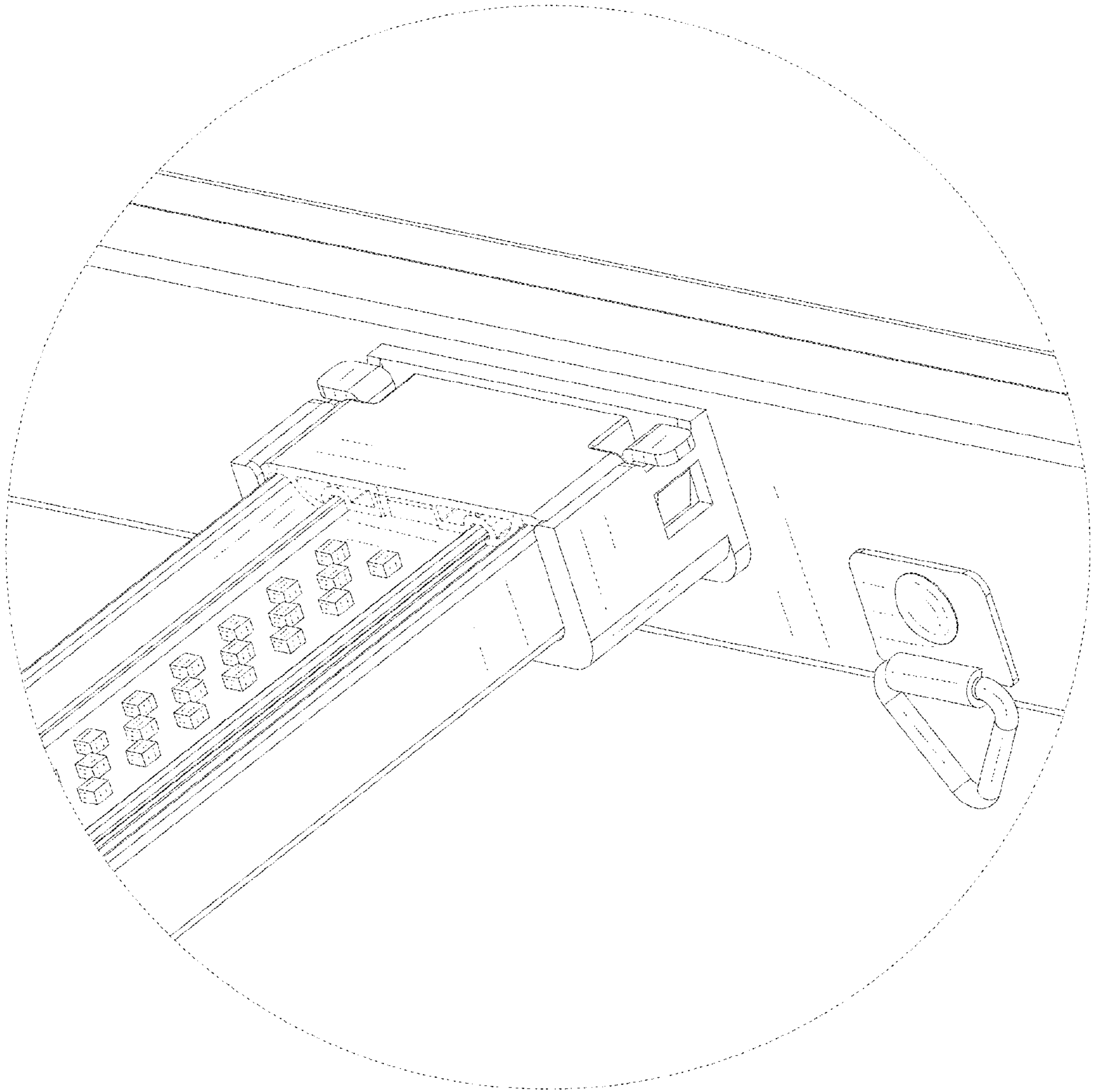


FIG. 11

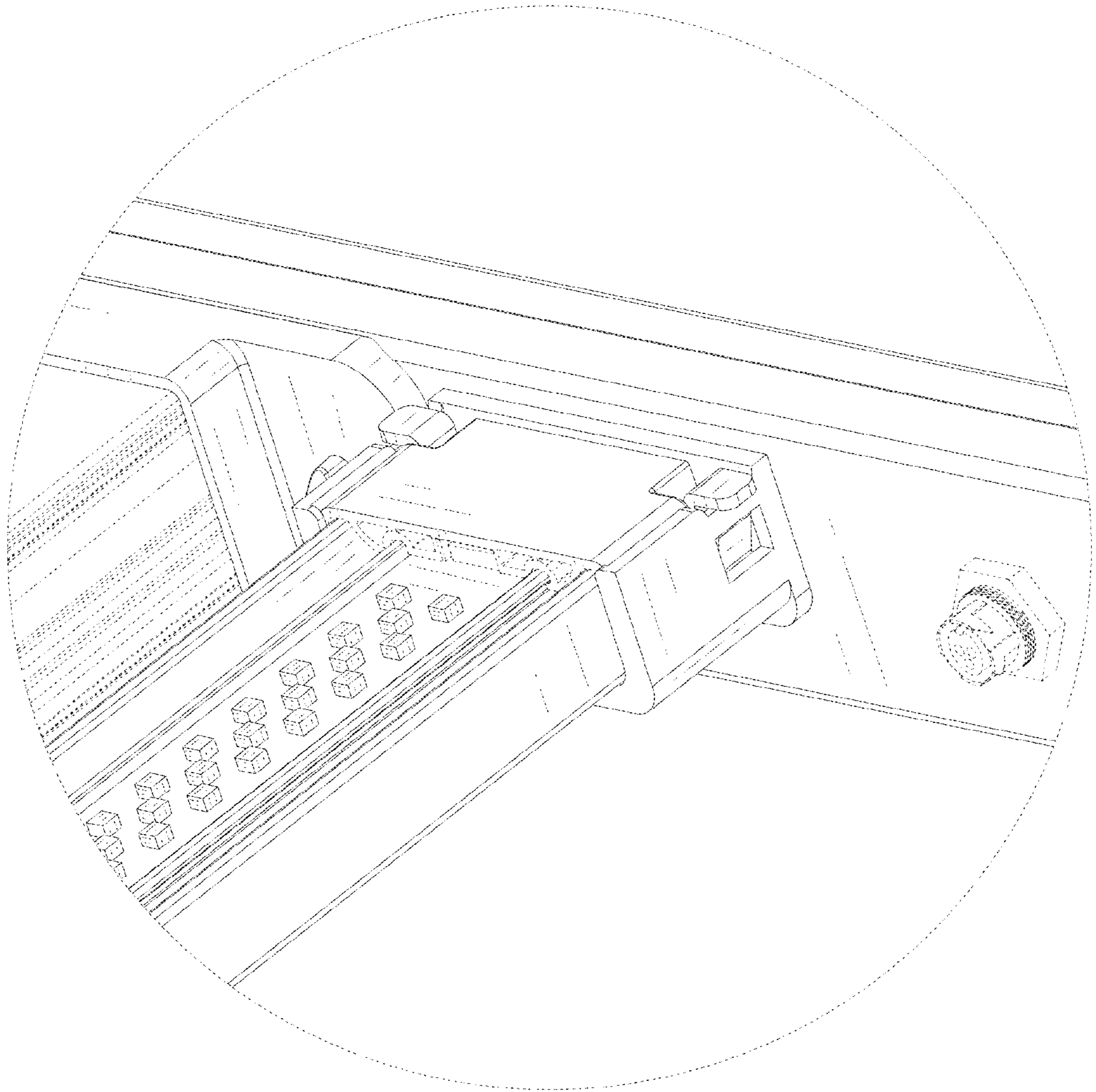


FIG. 12

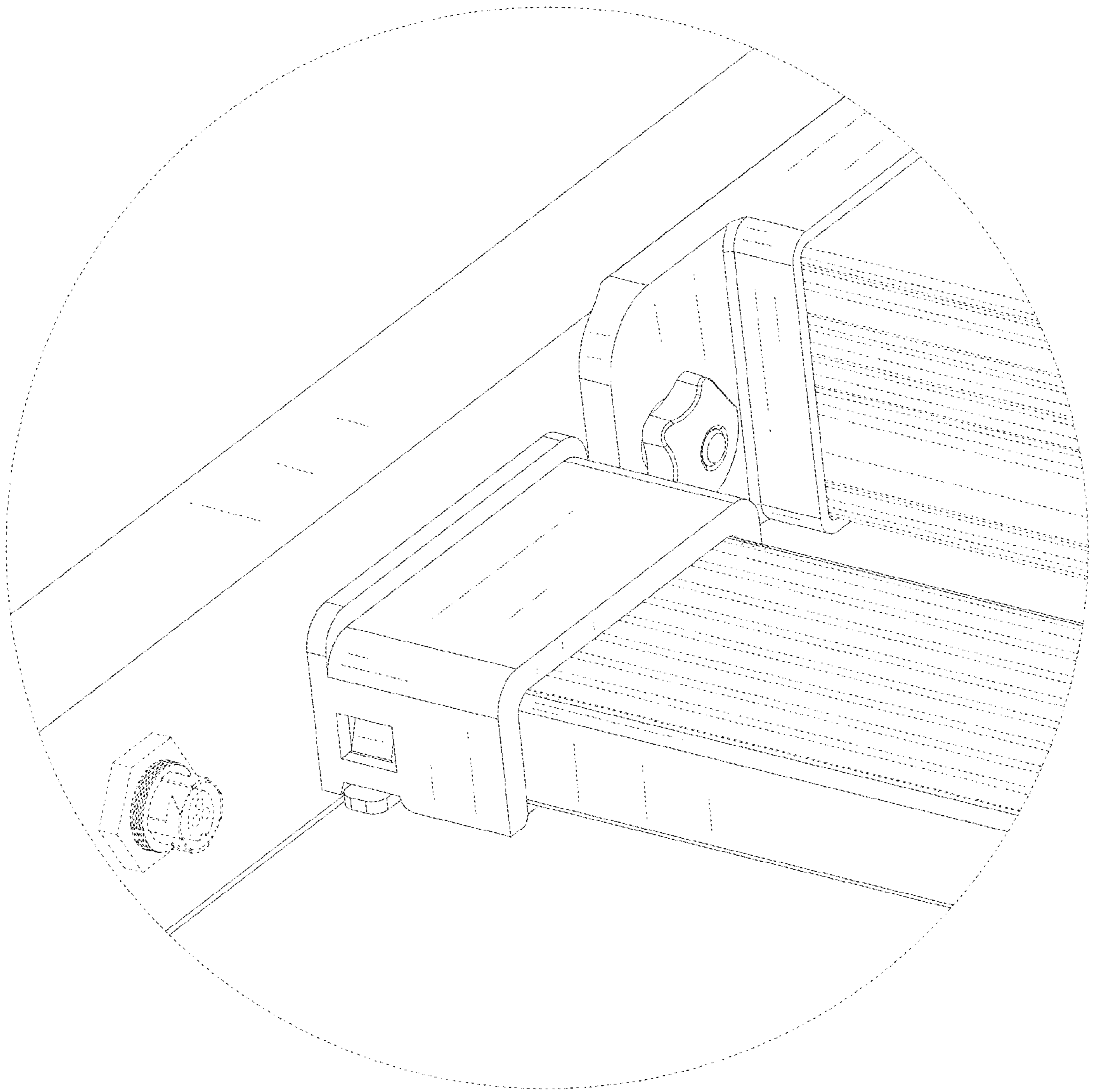


FIG. 13

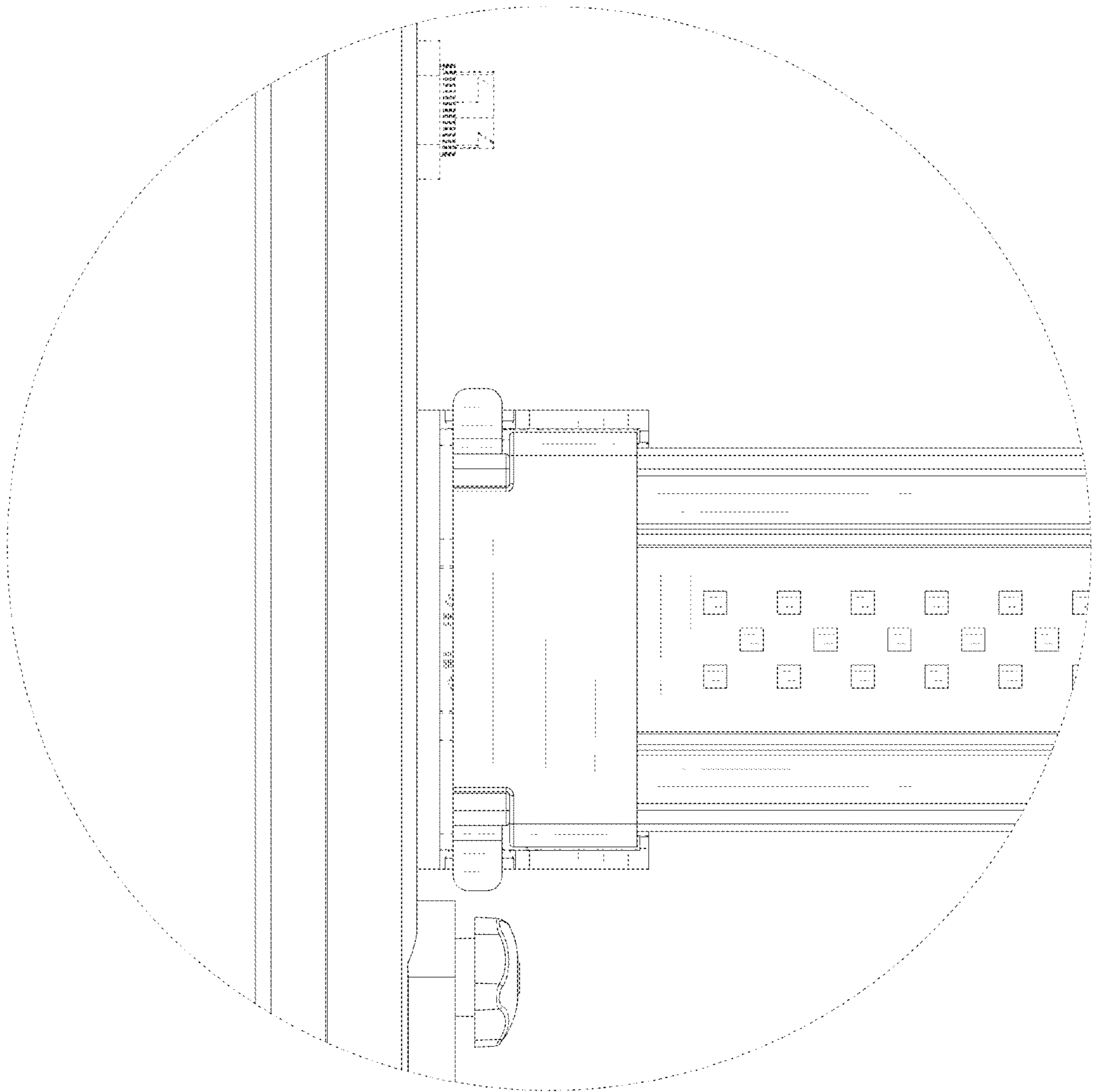


FIG. 14

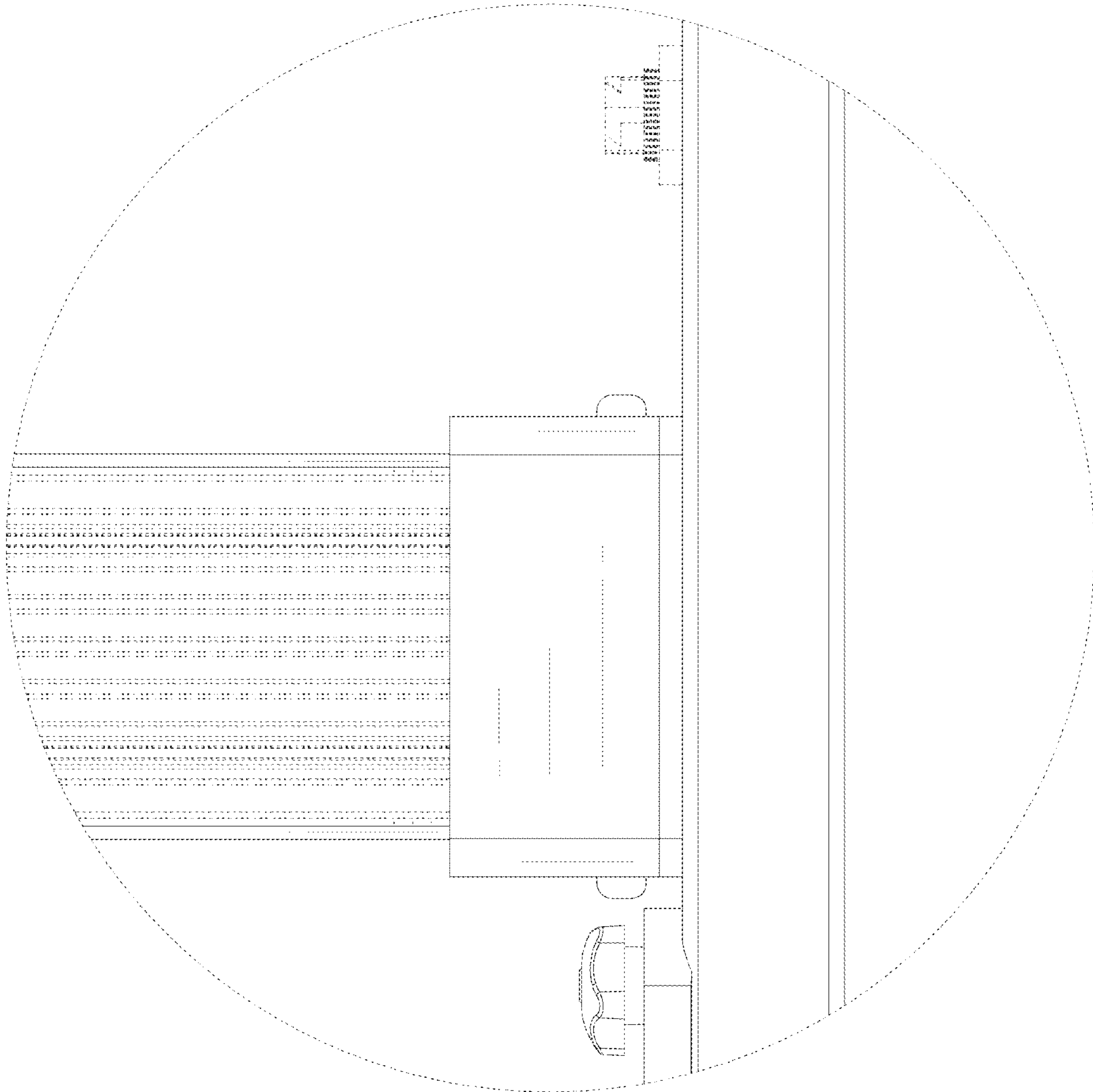


FIG. 15

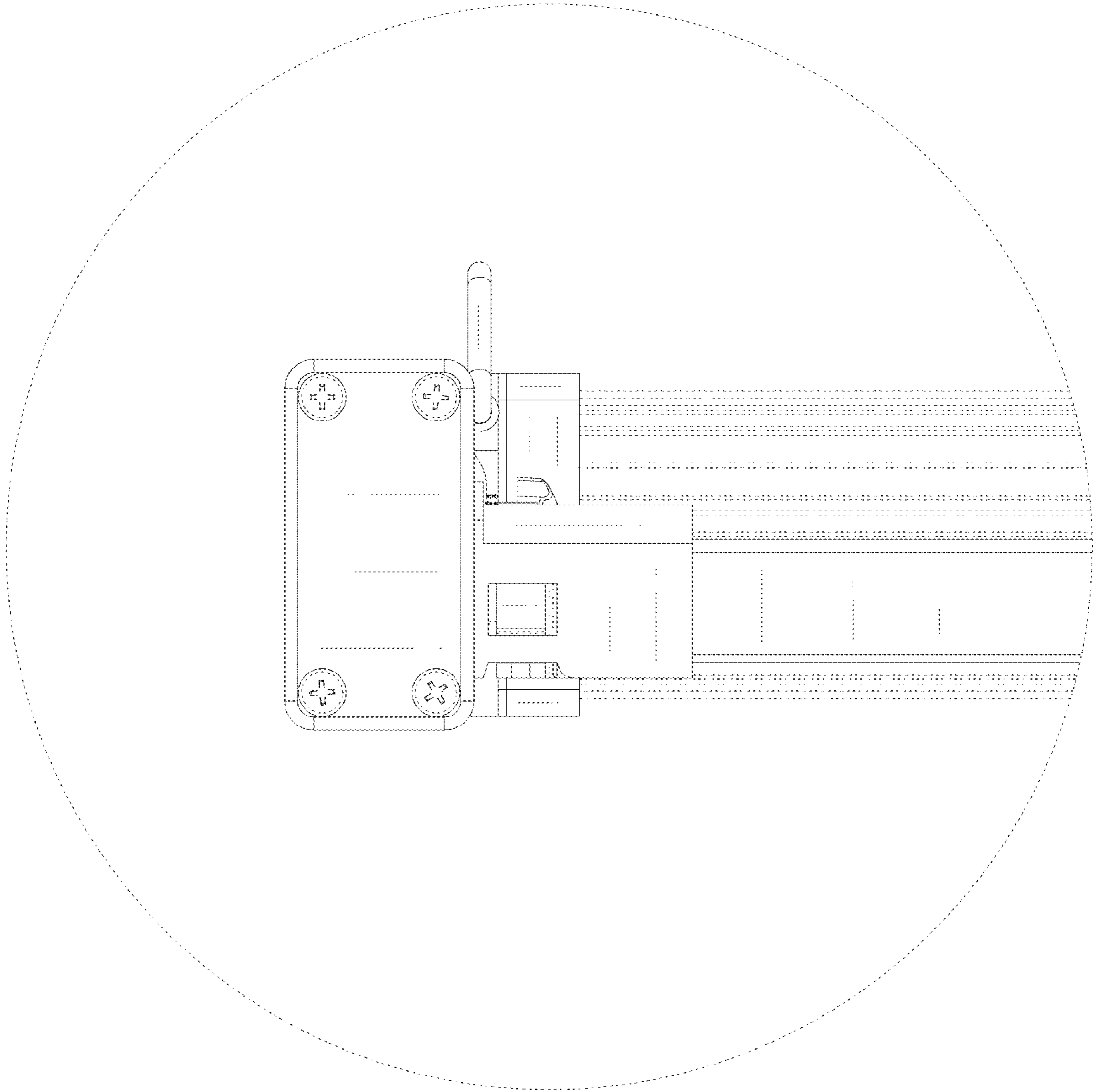


FIG. 16



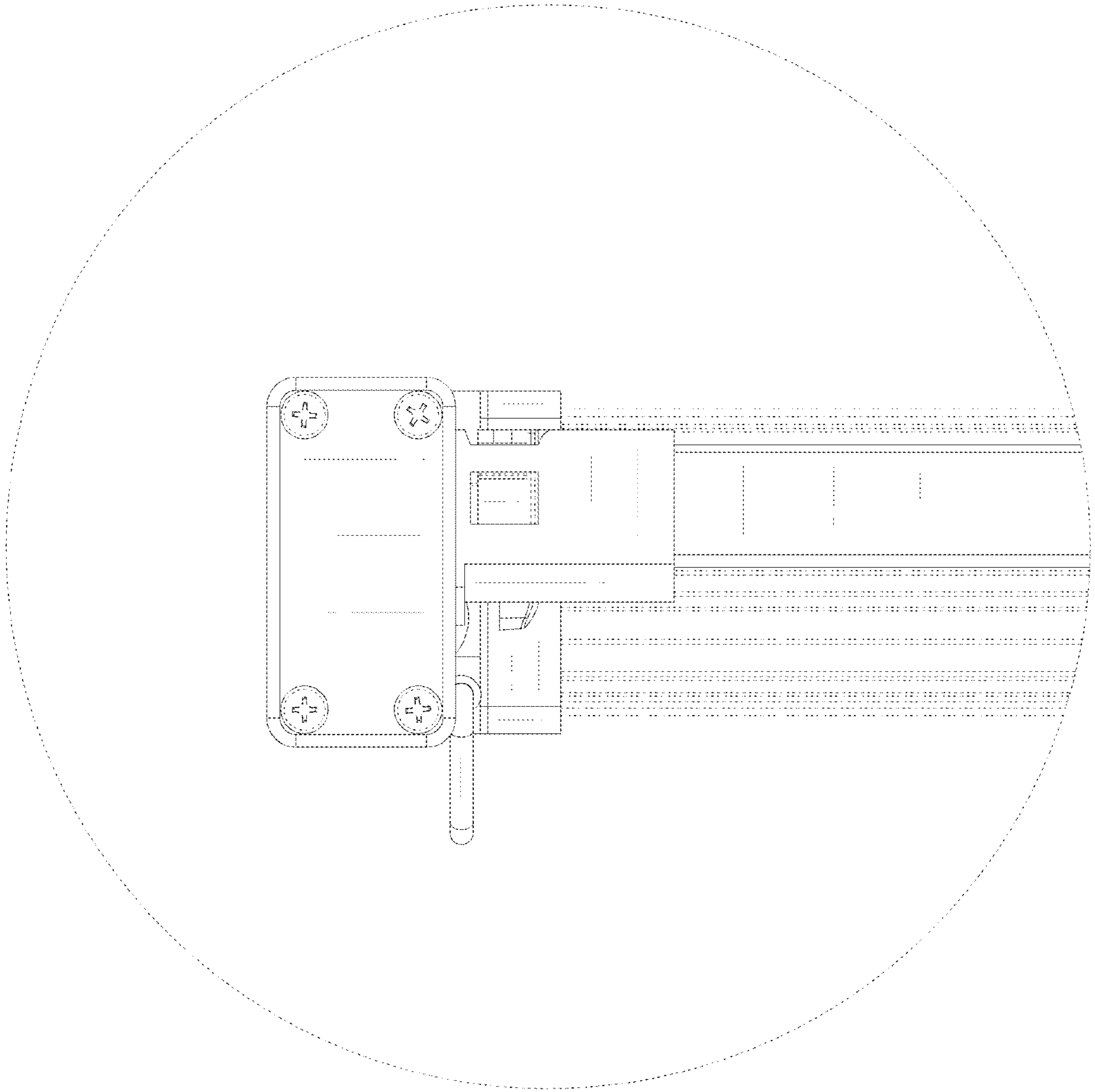


FIG. 17

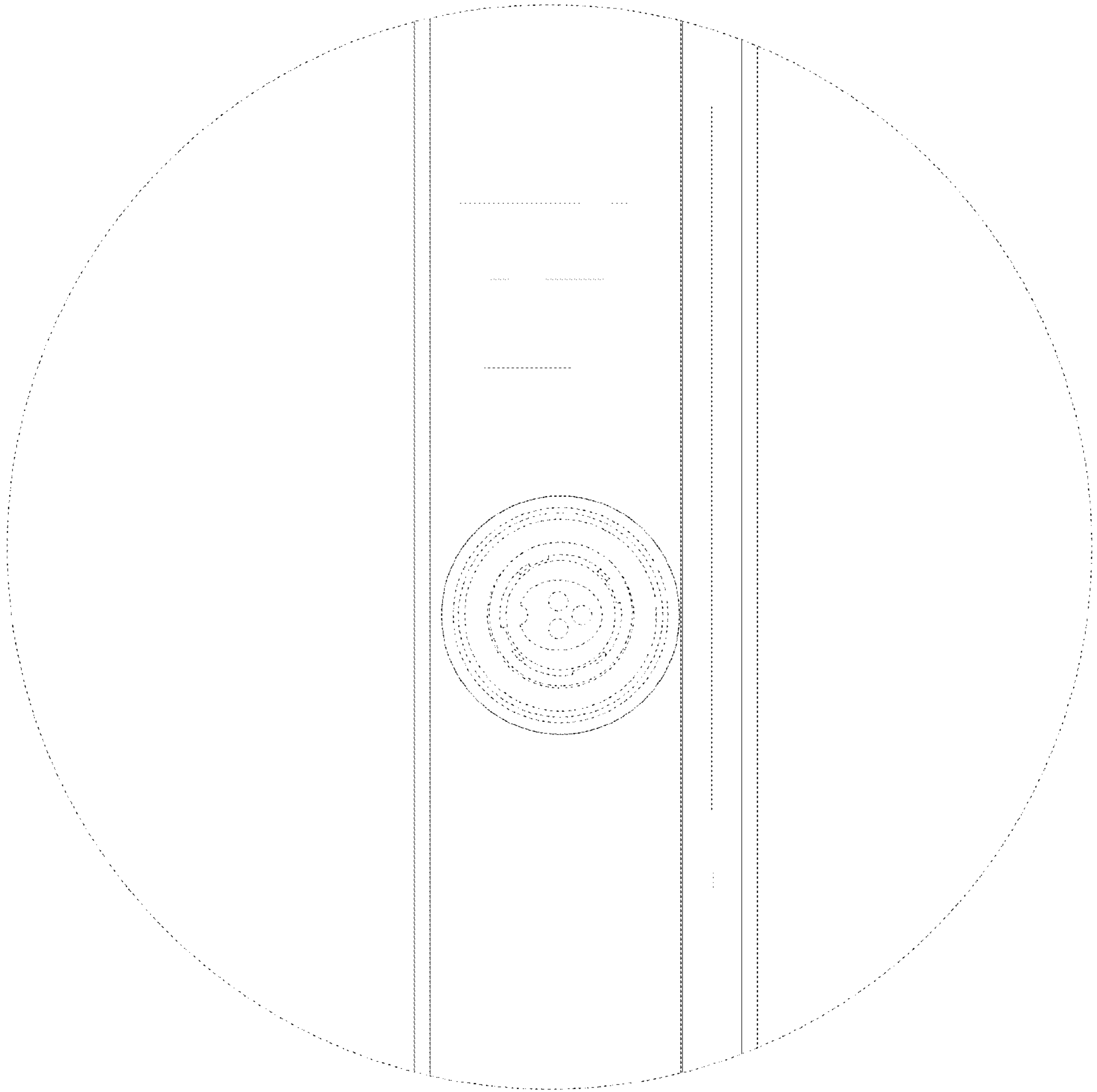


FIG. 18