



US00D989373S

(12) **United States Design Patent**
Wu

(10) **Patent No.:** **US D989,373 S**
(45) **Date of Patent:** **** Jun. 13, 2023**

(54) **SPOT LIGHT**

(71) Applicant: **NINGBO AODING LIGHTING CO., LTD**, Zhejiang (CN)

(72) Inventor: **Kede Wu**, Zhejiang (CN)

(73) Assignee: **NINGBO AODING LIGHTING CO., LTD**, Ningbo (CN)

(**) Term: **15 Years**

(21) Appl. No.: **29/809,362**

(22) Filed: **Sep. 27, 2021**

(30) **Foreign Application Priority Data**

May 8, 2021 (CN) 202130273084.7

(51) **LOC (14) Cl.** **26-05**

(52) **U.S. Cl.**
USPC **D26/63; D26/67**

(58) **Field of Classification Search**
USPC D26/1, 2, 3, 24, 51, 61, 63, 65, 66, 69,
D26/72, 81, 83, 92, 93, 102, 67, 71;
D23/370, 375, 377, 379, 413

CPC F21S 6/004; F21S 8/00; F21S 8/003; F21S
8/04; F21S 8/026; F21S 8/036; F21S
8/037; F21S 8/038; F21S 8/043; F21S
8/081; F21S 8/083; F21S 8/085; F21S
8/086; F21S 9/03; F21S 9/032; F21S
9/035; F21S 9/037; F21V 14/02; F21V
21/00; F21V 21/02; F21V 21/14; F21V
21/26; F21V 21/30; F21W 2111/02;
F21W 2111/023; F21W 2131/10; F21Y
2115/10

See application file for complete search history.

(56) **References Cited**

U.S. PATENT DOCUMENTS

D839,472 S * 1/2019 Hu D26/118
D903,921 S * 12/2020 Zhuo D26/63
D921,261 S * 6/2021 Qiu D26/67

D923,226 S * 6/2021 Hu D26/63
D923,845 S * 6/2021 Kong D26/63
D925,084 S * 7/2021 Chen D26/63
D925,100 S * 7/2021 Hui D26/68
D944,434 S * 2/2022 Li D26/63

(Continued)

OTHER PUBLICATIONS

FlashBiu Solar Outdoor Garden Lights, first available Mar. 24, 2022, amazon.com, [online], [site visited Jan. 23, 2023], Available from internet URL: https://www.amazon.com/FLASHBIU-Waterproof-Brightest-Spotlight-Landscape/dp/B09WCTMSSX/ref=sr_1_165_sspa?crid=3COLUH2CW3C4&keyw%E2%80%A6=undefined&th=1 (Year: 2022).*

(Continued)

Primary Examiner — Angela J Lee
Assistant Examiner — Audris Park

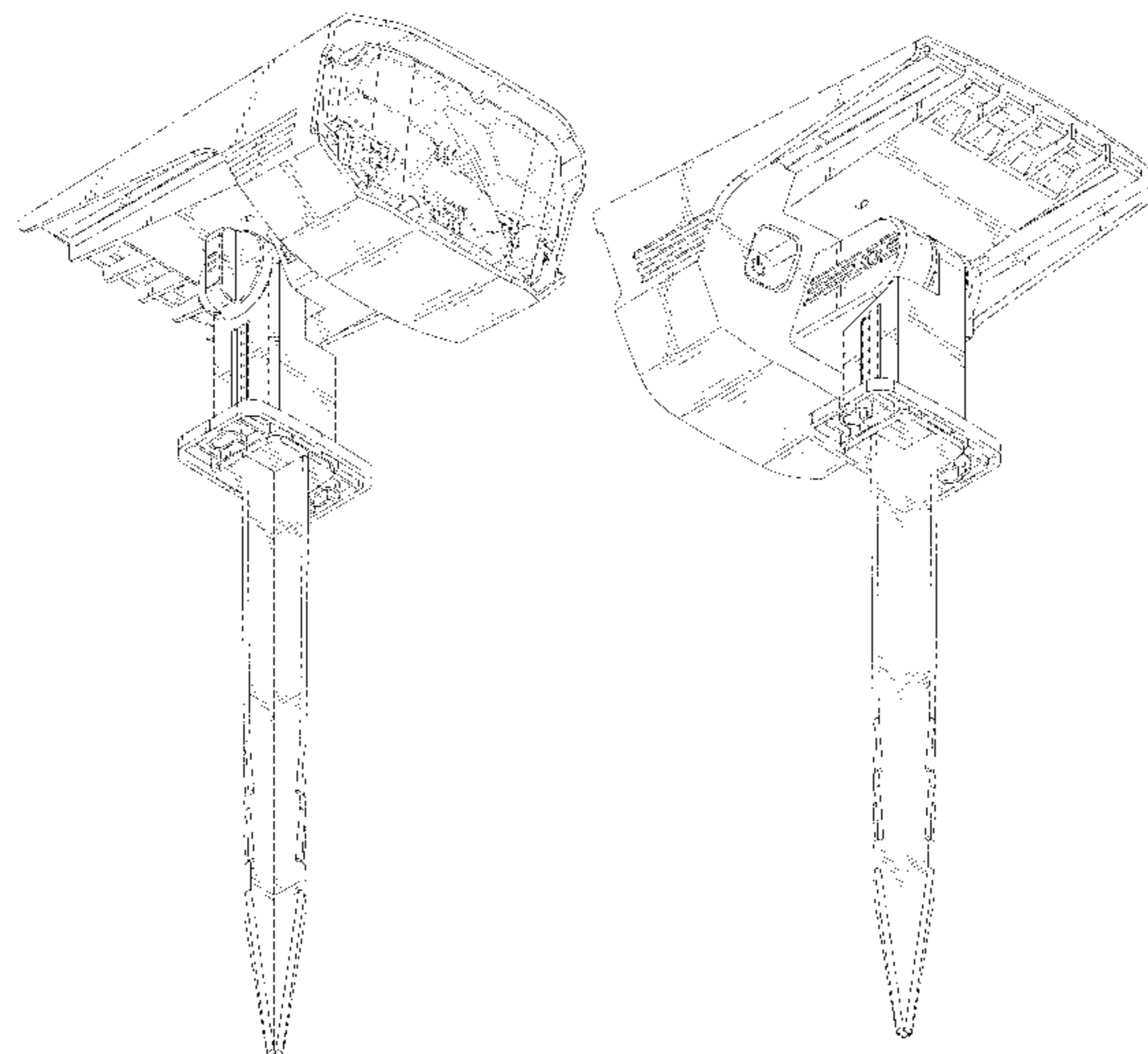
(57) **CLAIM**

The ornamental design for a spot light, as shown and described.

DESCRIPTION

FIG. 1 is a top, front and right side perspective view of a spot light showing my new design;
FIG. 2 is a bottom, front and left side perspective view thereof;
FIG. 3 is a bottom, rear and right side perspective view thereof;
FIG. 4 is a front elevational view thereof;
FIG. 5 is a rear elevational view thereof;
FIG. 6 is a left side view thereof;
FIG. 7 is a right side view thereof;
FIG. 8 is a top plan view thereof; and,
FIG. 9 is a bottom plan view thereof.
The broken lines in the drawings illustrate portions of the spot light which form no part of the claimed design.
The oblique shade lines in the drawings represent transparent surfaces.

1 Claim, 9 Drawing Sheets



(56)

References Cited

U.S. PATENT DOCUMENTS

D963,225 S * 9/2022 Zhuo D26/63
D963,911 S * 9/2022 Chen D13/102
D974,631 S * 1/2023 Zhao D26/63

OTHER PUBLICATIONS

JoliBelle Solar Garden Lights, first available Feb. 8, 2022, amazon.com, [online], [site visited Jan. 23, 2023], Available from internet URL: https://www.amazon.com/JoliBelle-Waterproof-Spotlights-Wireless-Driveway/dp/B09RZG1FJ3/ref=asc_df_B09RZG1FJ3/?tag=hyprod-20&linkCode=df%E2%80%A6&th=1 (Year: 2022).*

Solar Lights Outdoor Waterproof IP68, first available Sep. 17, 2021, amazon.com, [online], [site visited Jan. 23, 2023], Available from internet URL: https://www.amazon.com/Landscape-Spotlights-Waterproof-Wireless-Driveway/dp/B09GK8H4C8/ref=pd_lpo_2?pd_rd_w=nudny&content-id=amzn1.s%E2%80%A6&th=1 (Year: 2021).*

* cited by examiner

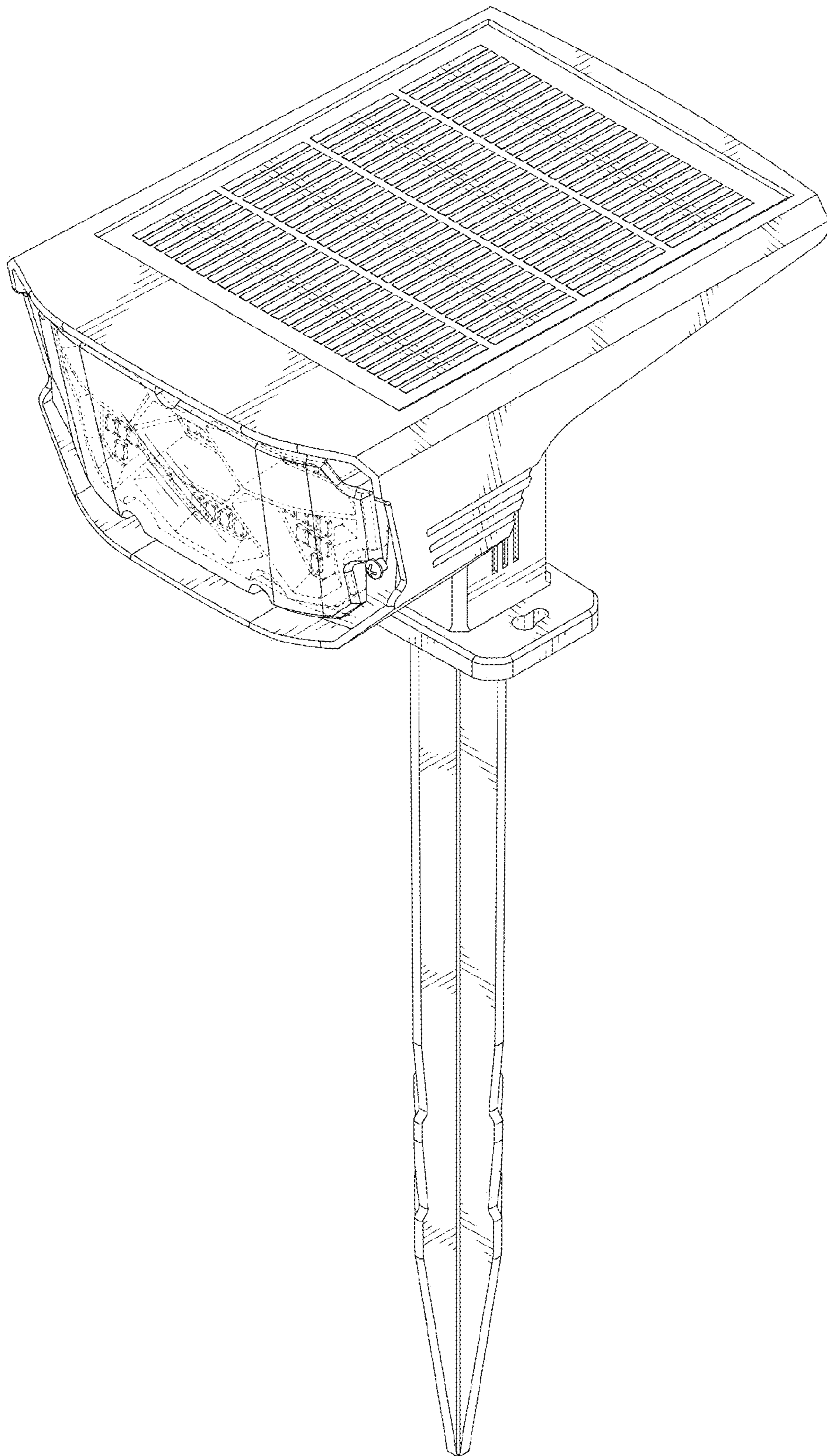


FIG.1

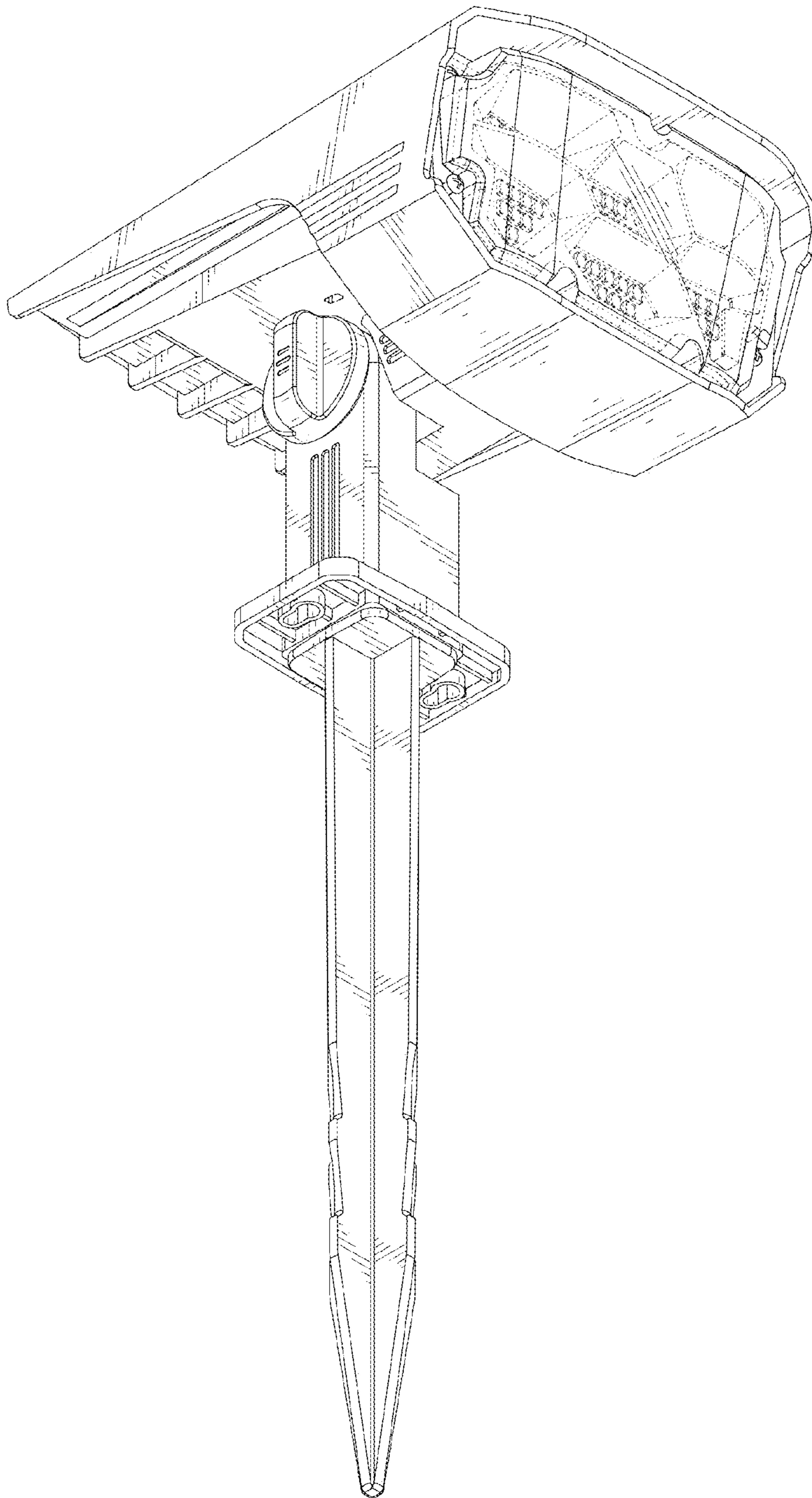


FIG.2

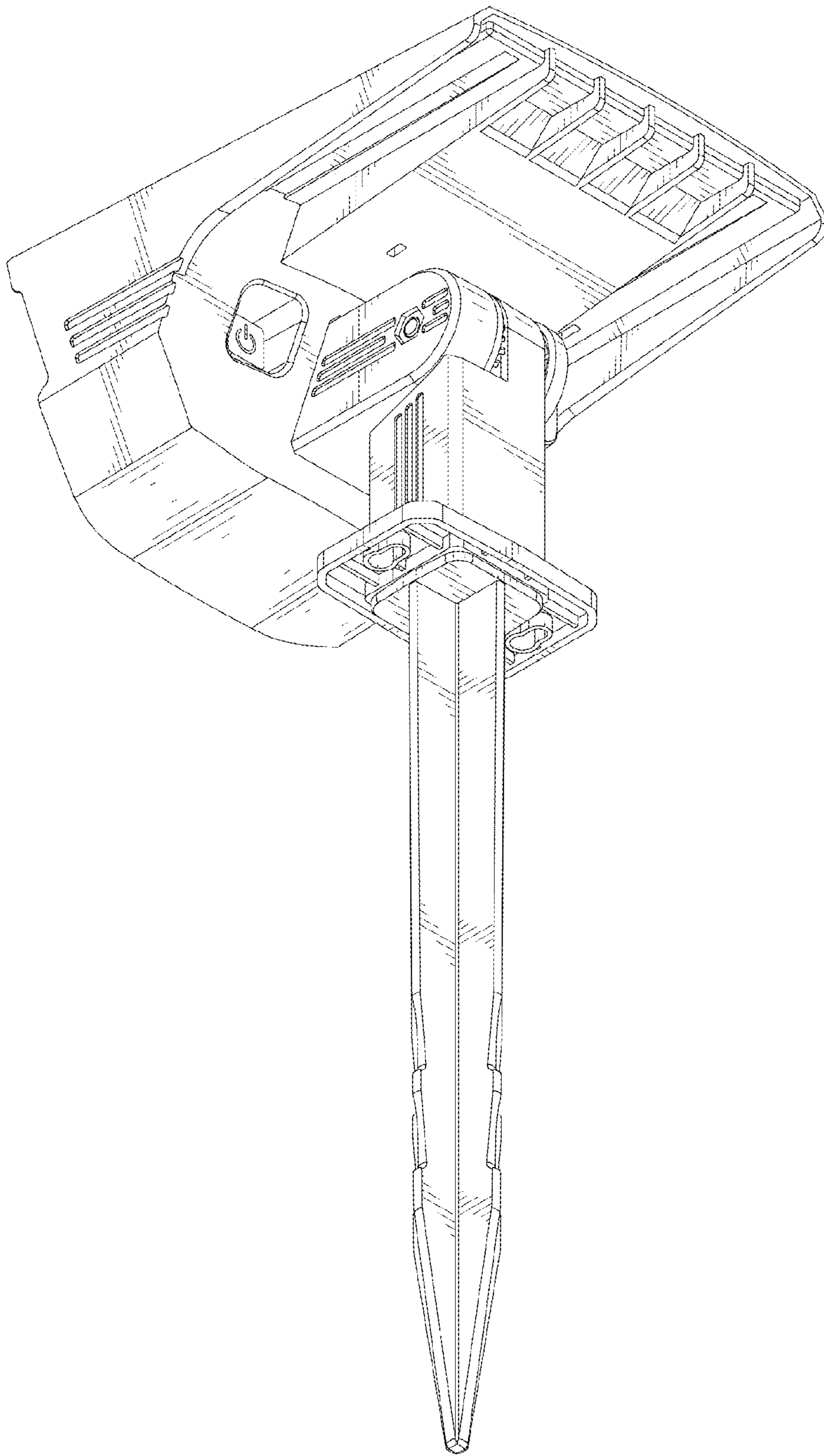


FIG.3

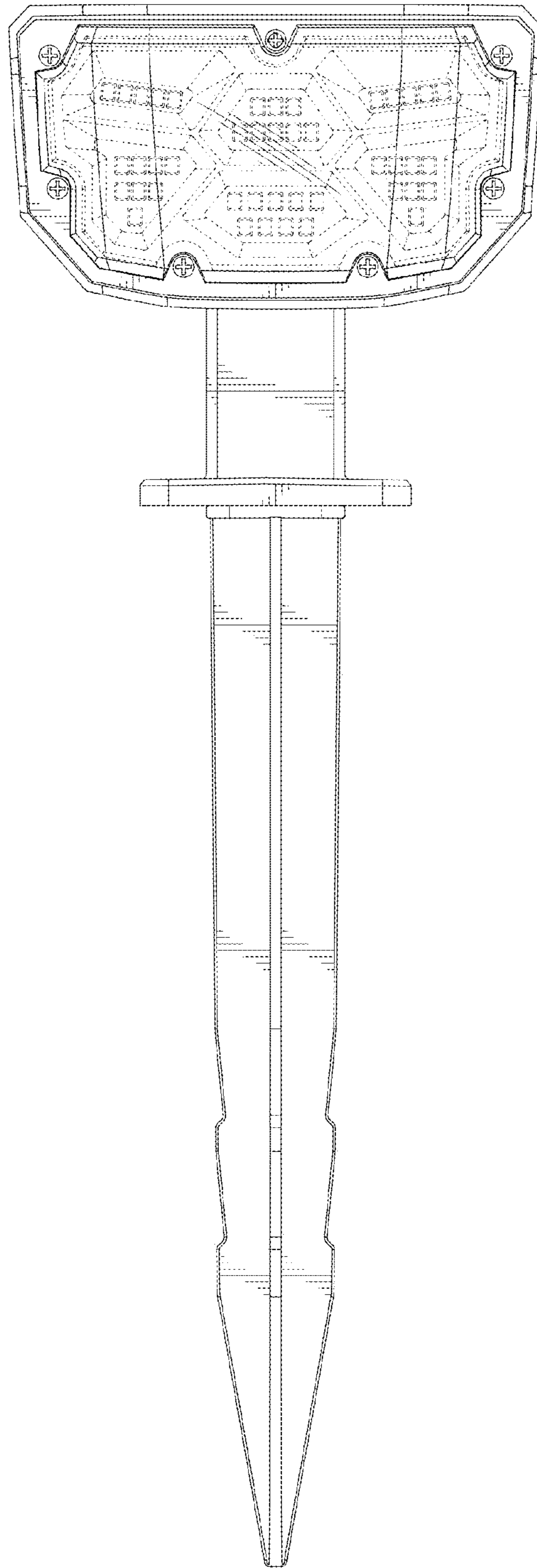


FIG.4

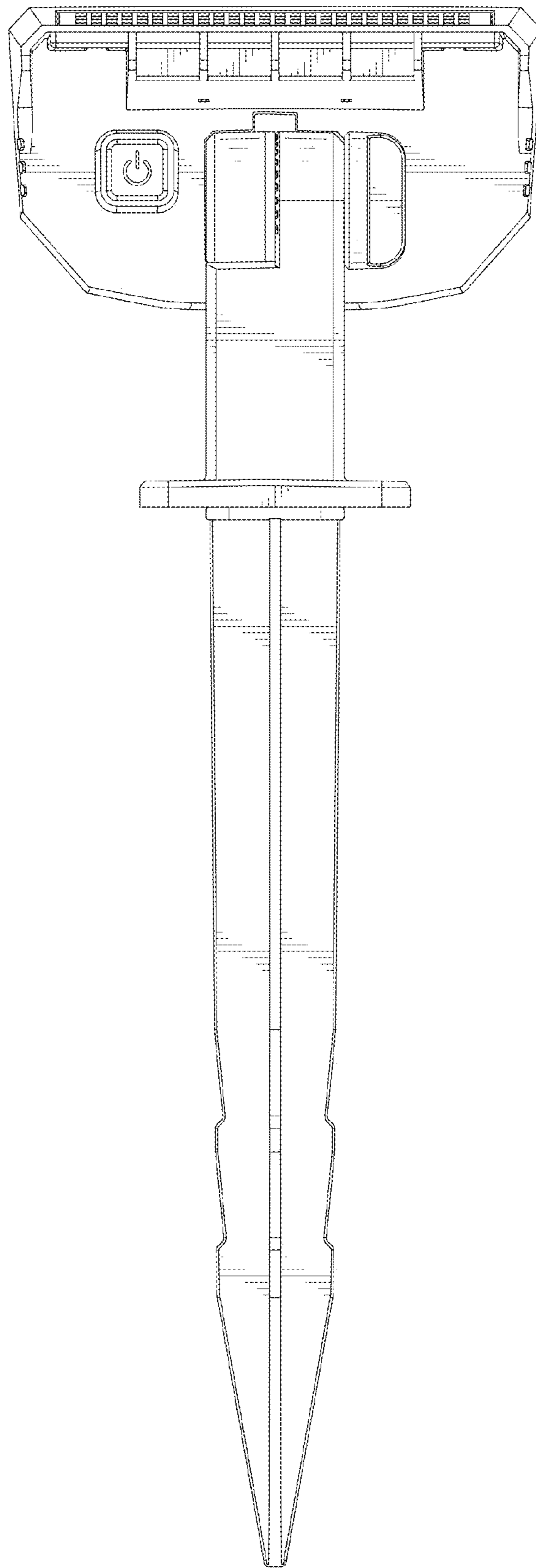


FIG.5

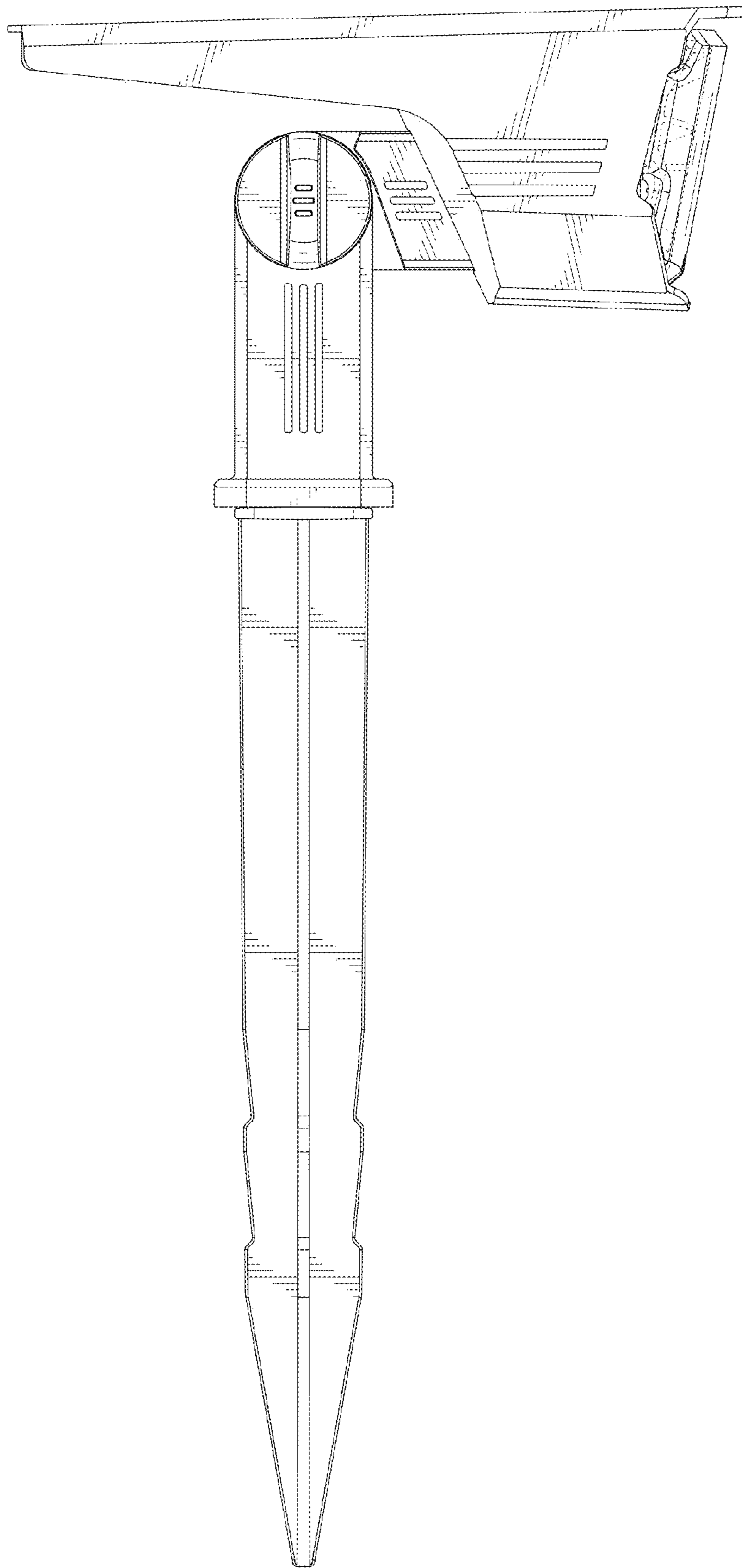


FIG.6

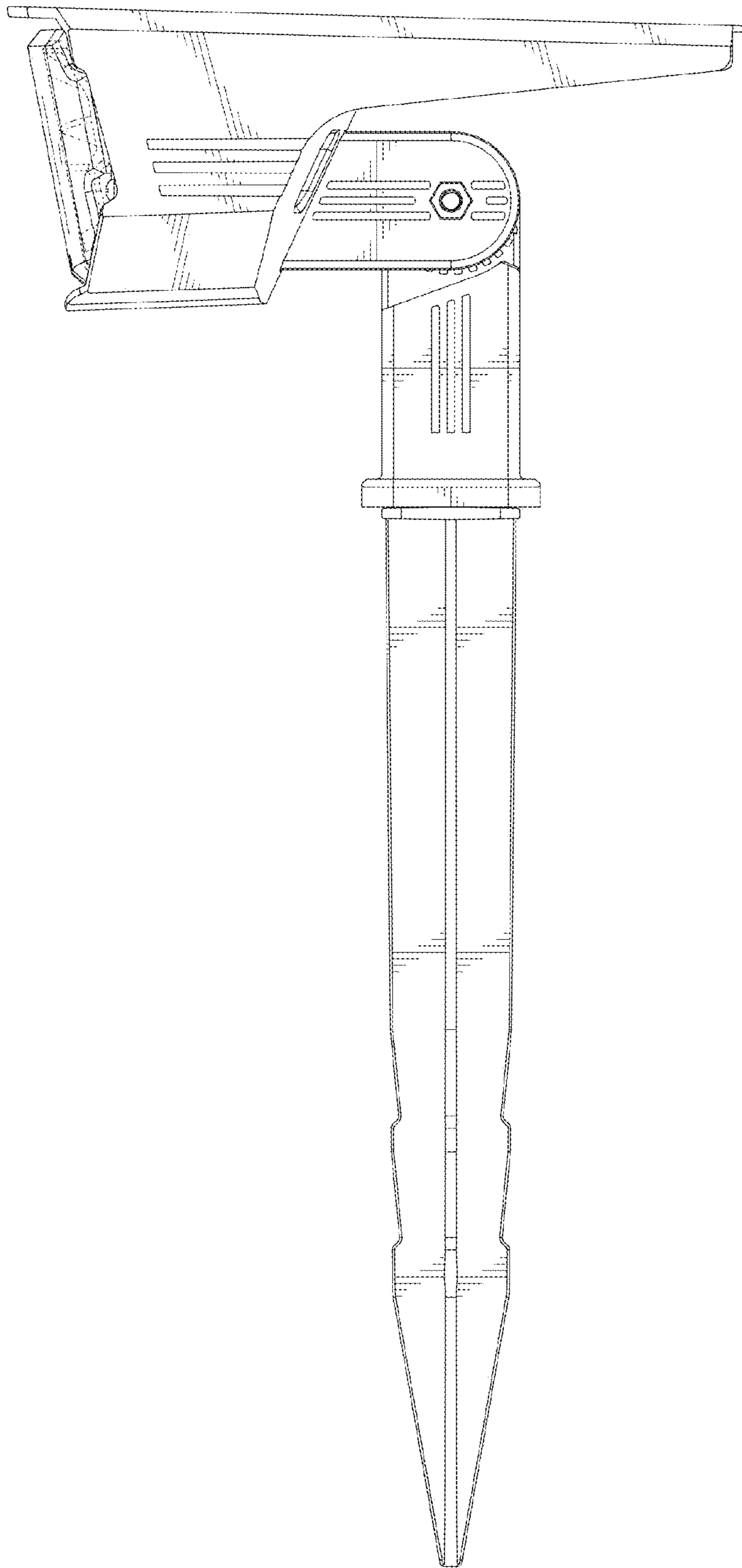


FIG.7

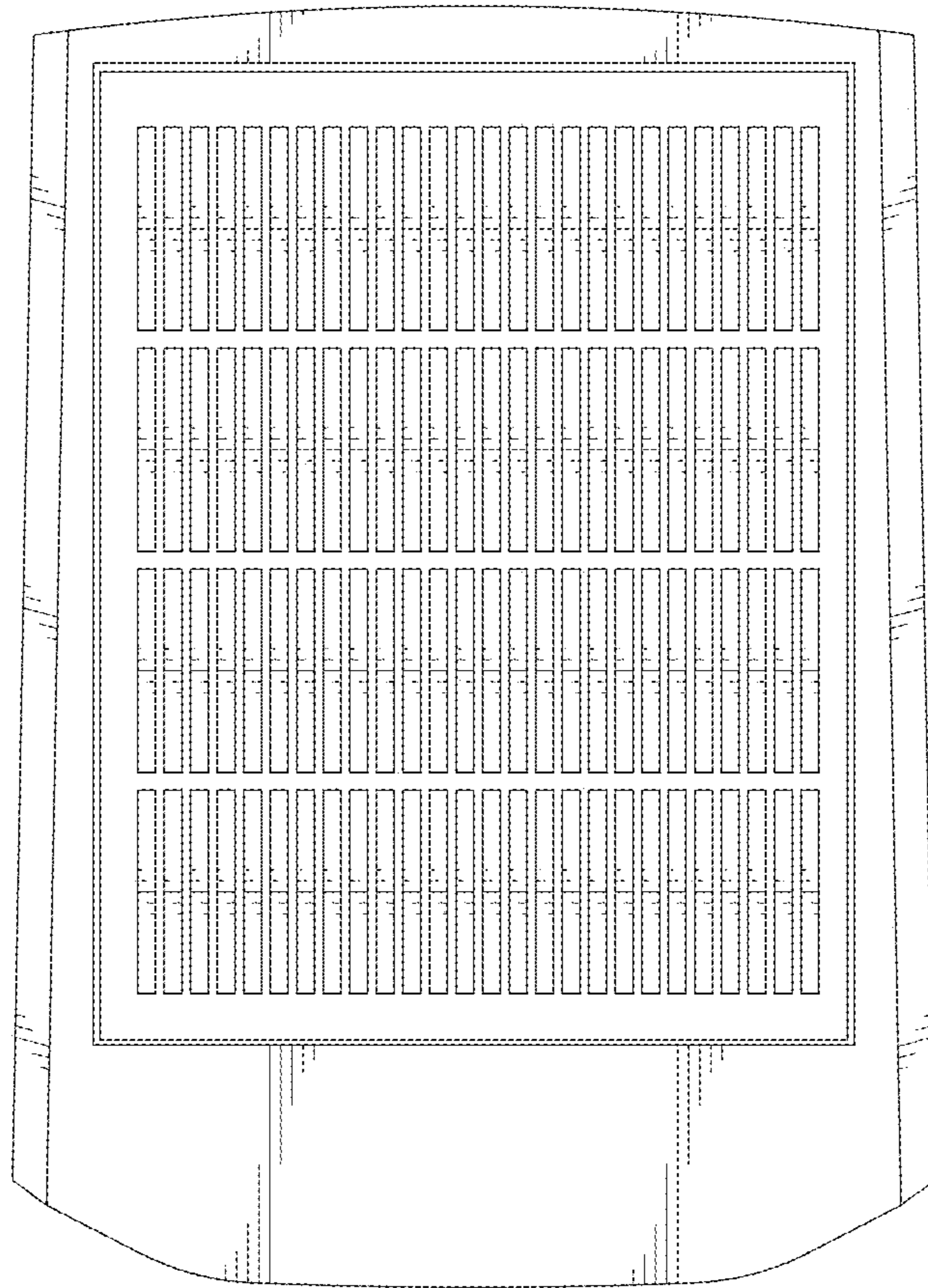


FIG.8

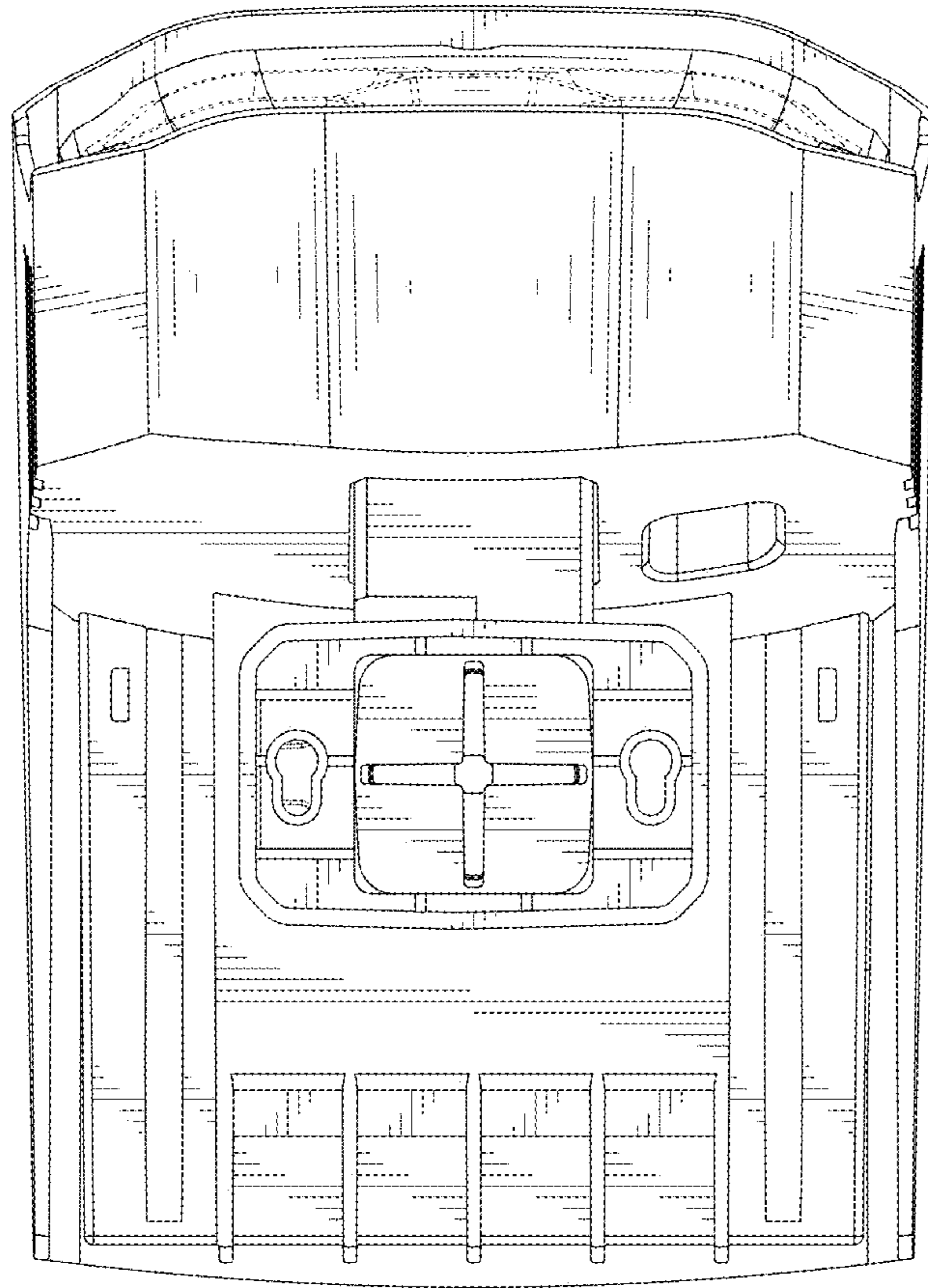


FIG.9